



US00D816466S

(12) **United States Design Patent**
Gomez

(10) **Patent No.:** **US D816,466 S**

(45) **Date of Patent:** **** May 1, 2018**

(54) **ADJUSTABLE STUD BRACKET**

(71) Applicant: **Paul Gomez**, Rowland Heights, CA
(US)

(72) Inventor: **Paul Gomez**, Rowland Heights, CA
(US)

(**) Term: **15 Years**

(21) Appl. No.: **29/596,765**

(22) Filed: **Mar. 10, 2017**

(51) **LOC (11) Cl.** **08-05**

(52) **U.S. Cl.**
USPC **D8/363**

(58) **Field of Classification Search**
USPC D8/349–356, 358, 359, 363, 365, 366,
D8/371, 373, 374, 375, 380, 381, 382,
D8/387, 391, 393, 394, 396, 370, 367;
D14/239, 126, 451
CPC .. F16B 7/0466; F16B 7/04; F16B 1/00; F16L
3/00; E04B 2001/405; B60B 33/0089;
B60B 33/0097; F16M 13/02; F16M
13/025

See application file for complete search history.

(56) **References Cited**

U.S. PATENT DOCUMENTS

D484,399 S *	12/2003	Arthur	D8/394
D565,399 S *	4/2008	Grey	D8/380
D612,226 S *	3/2010	Dinh	D8/356
D705,043 S *	5/2014	Michaud	D8/366
D736,606 S *	8/2015	Underkofler	D8/373
D784,115 S *	4/2017	Rago	D8/354

D805,217 S *	12/2017	Malone	D25/68
2009/0250573 A1 *	10/2009	Nuernberger	H02G 3/125 248/205.1
2013/0206946 A1 *	8/2013	Pirner	F16M 13/02 248/343
2014/0103180 A1 *	4/2014	Birli	H02G 3/125 248/274.1
2015/0335156 A1 *	11/2015	Chen	A47B 96/07 248/219.1
2017/0215585 A1 *	8/2017	Chen	A47B 88/044

* cited by examiner

Primary Examiner — Rosemary K Tarcza

Assistant Examiner — Christy Nemeth

(74) *Attorney, Agent, or Firm* — Clement Cheng

(57) **CLAIM**

The ornamental design for an adjustable stud bracket, as shown and described.

DESCRIPTION

FIG. 1 is a perspective view of an adjustable stud bracket of my new design;

FIG. 2 is a front elevation view thereof;

FIG. 3 is a rear elevation view thereof;

FIG. 4 is a left side elevation view thereof;

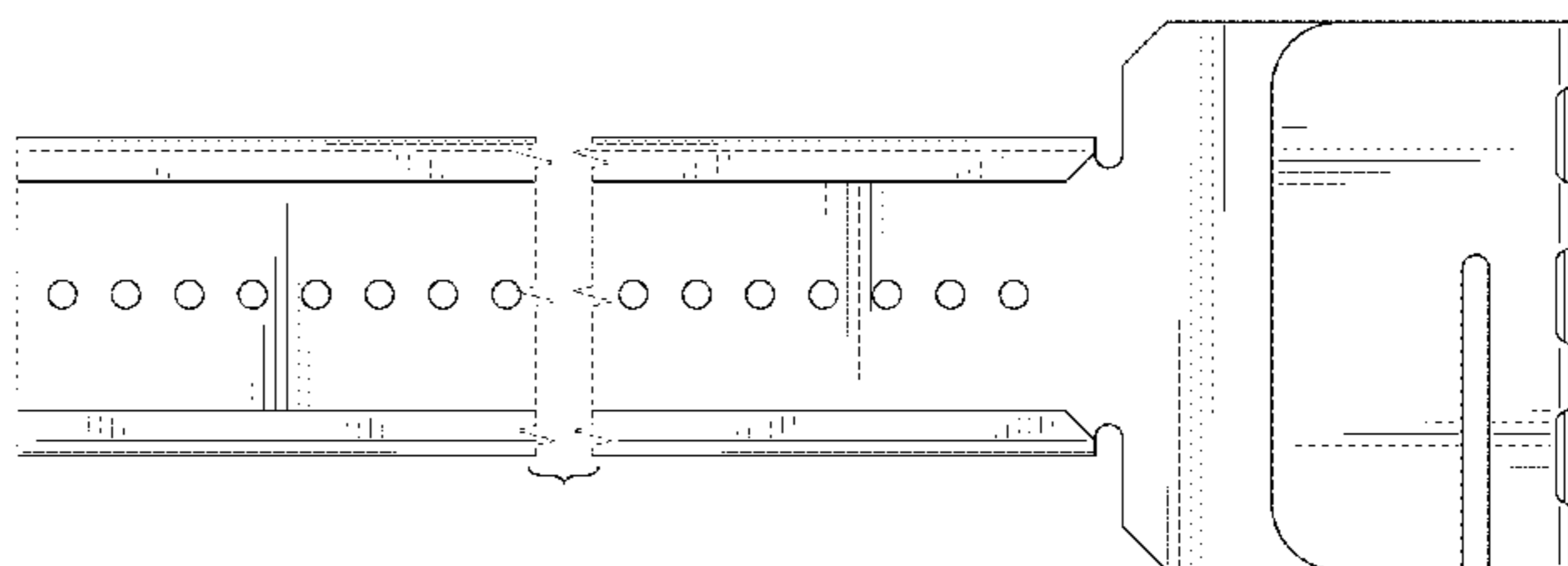
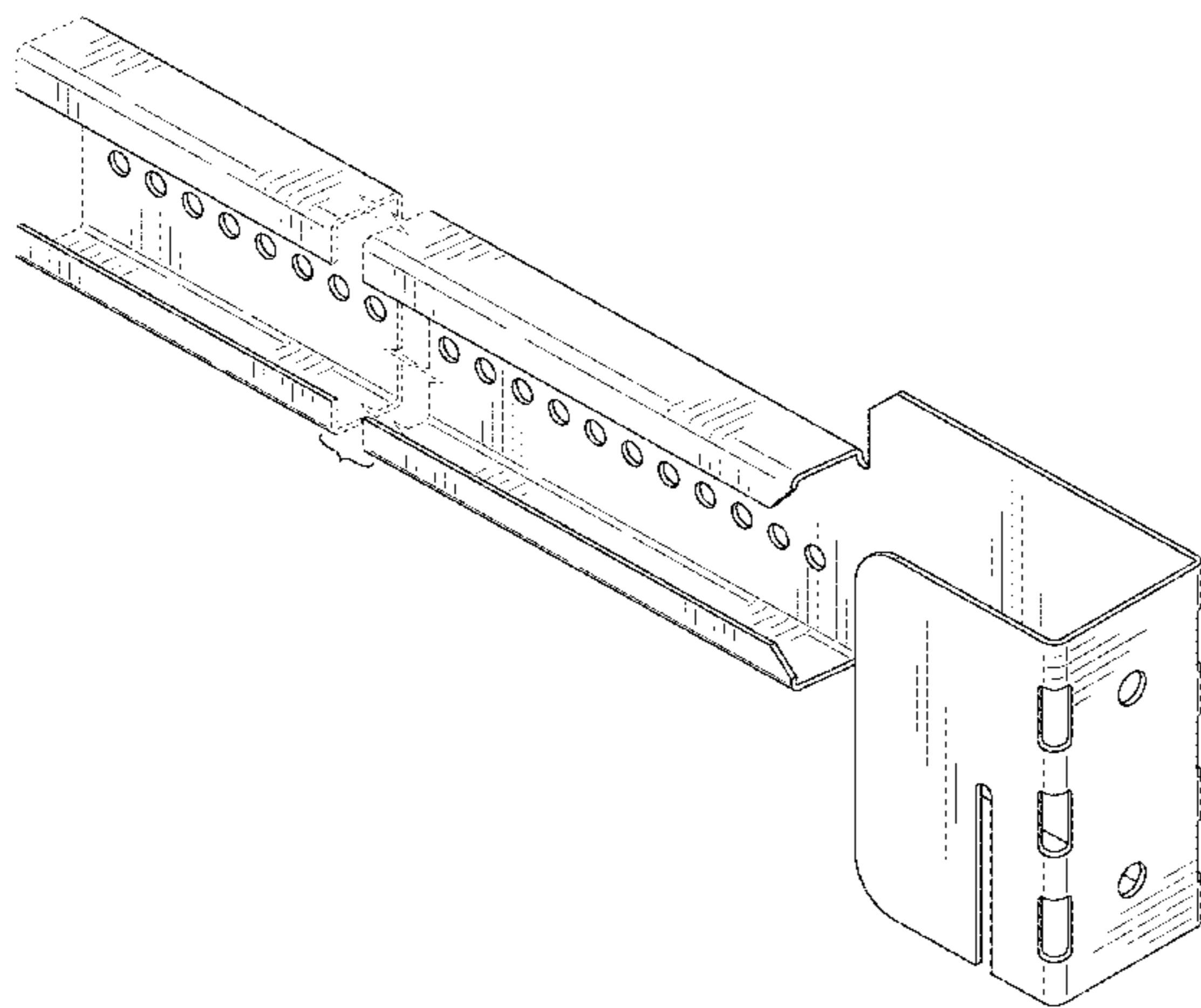
FIG. 5 is a right side elevation view thereof;

FIG. 6 is a top plan view thereof; and,

FIG. 7 is a bottom plan view thereof.

The broken lines in the drawings define the bounds of the claimed design and form no part thereof. The adjustable stud bracket is shown with symbolic breaks in its length. The appearance of any portion of the article between the break lines forms no part of the claimed design.

1 Claim, 7 Drawing Sheets



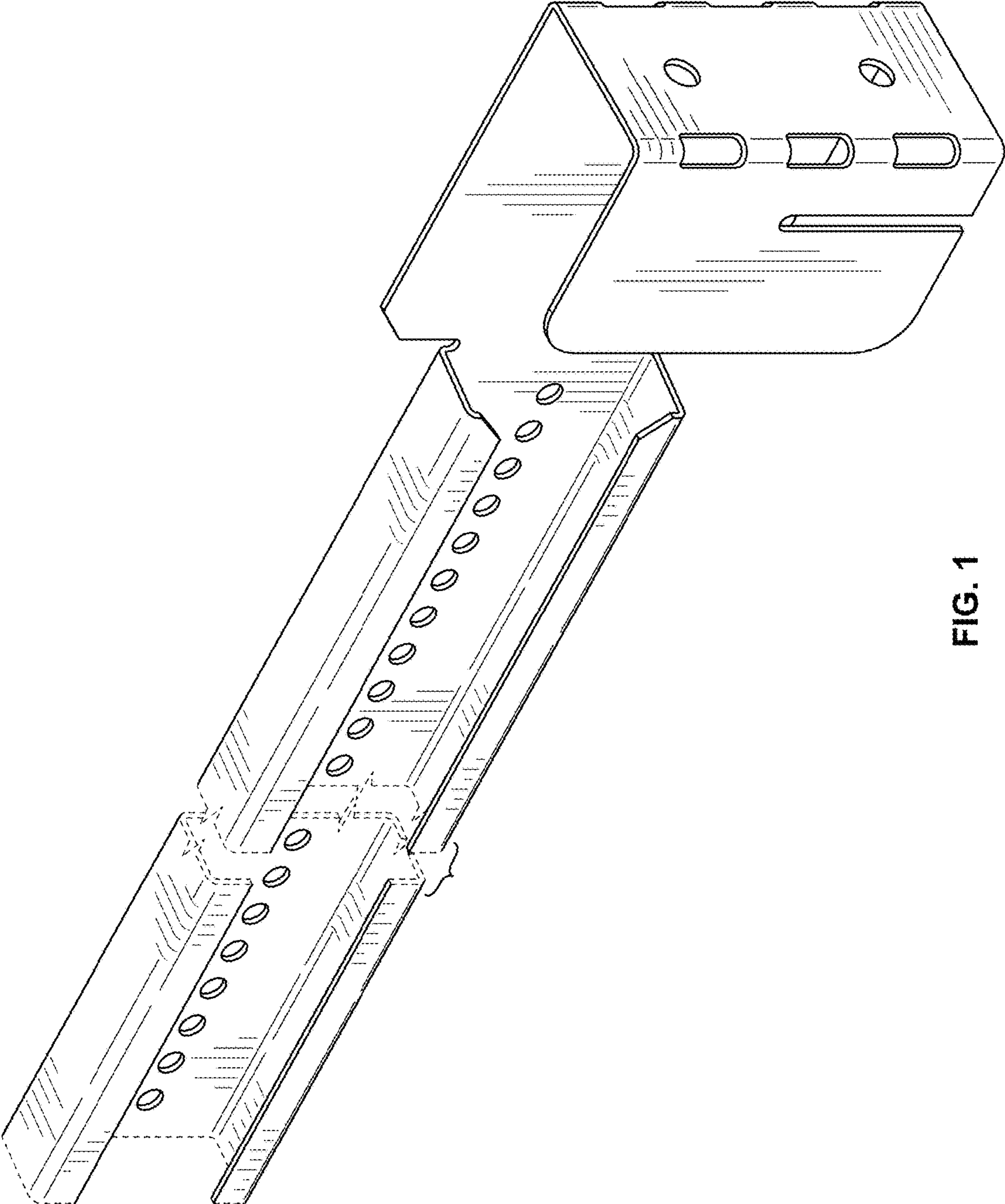


FIG. 1

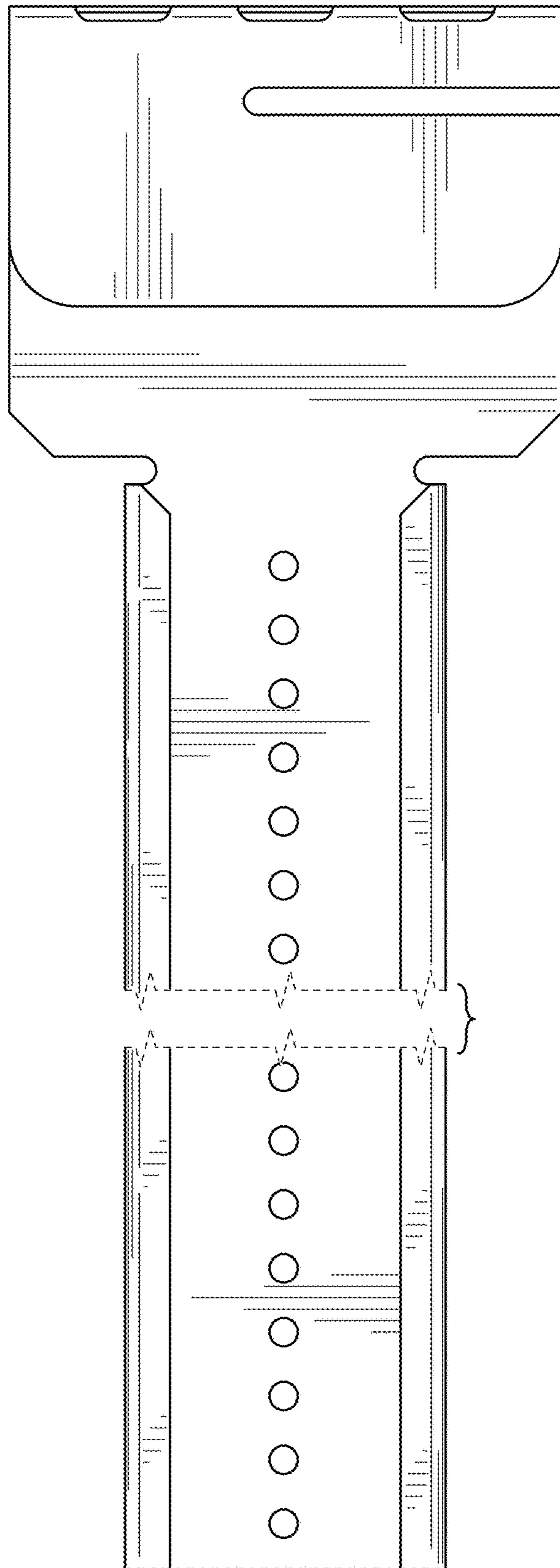


FIG. 2

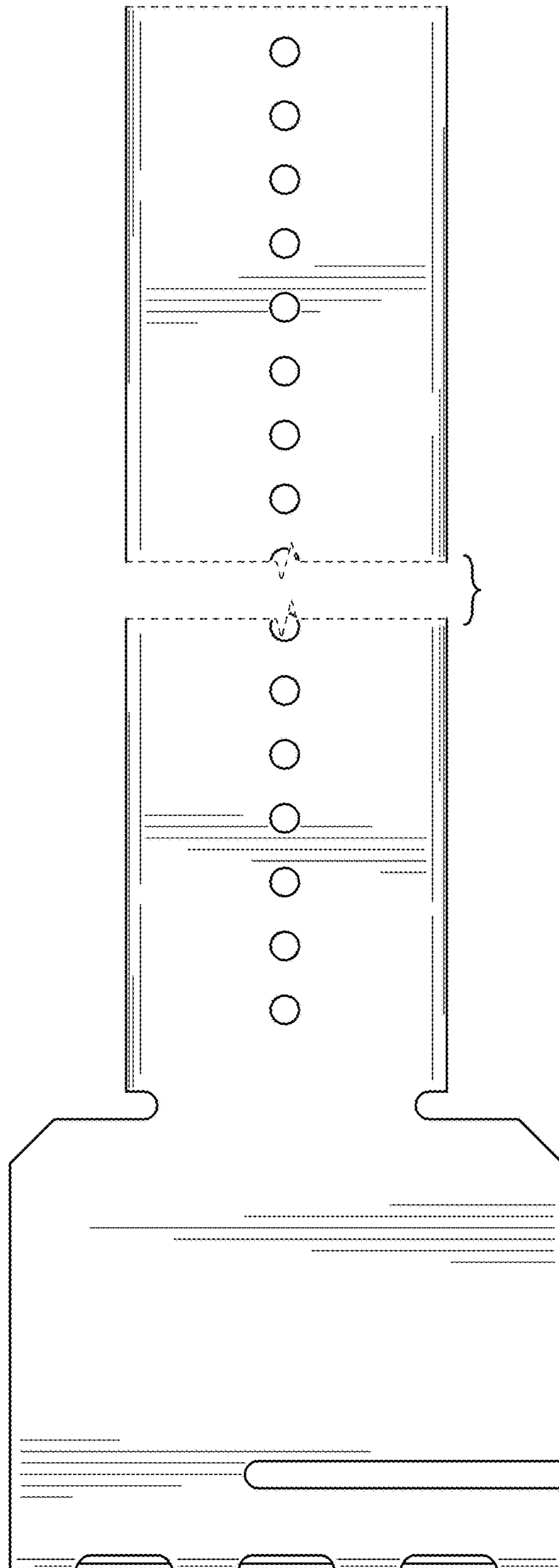


FIG. 3

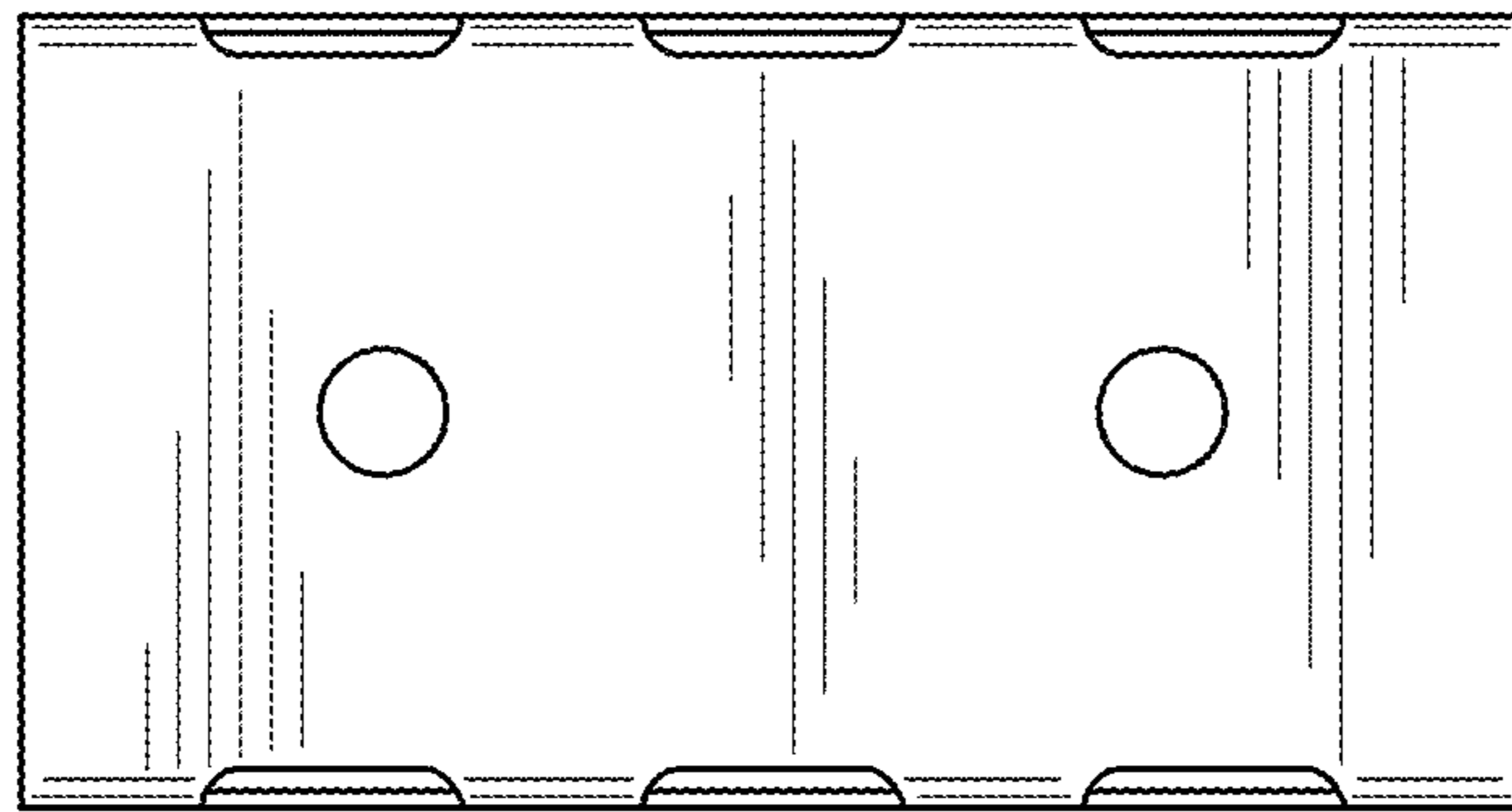


FIG. 4

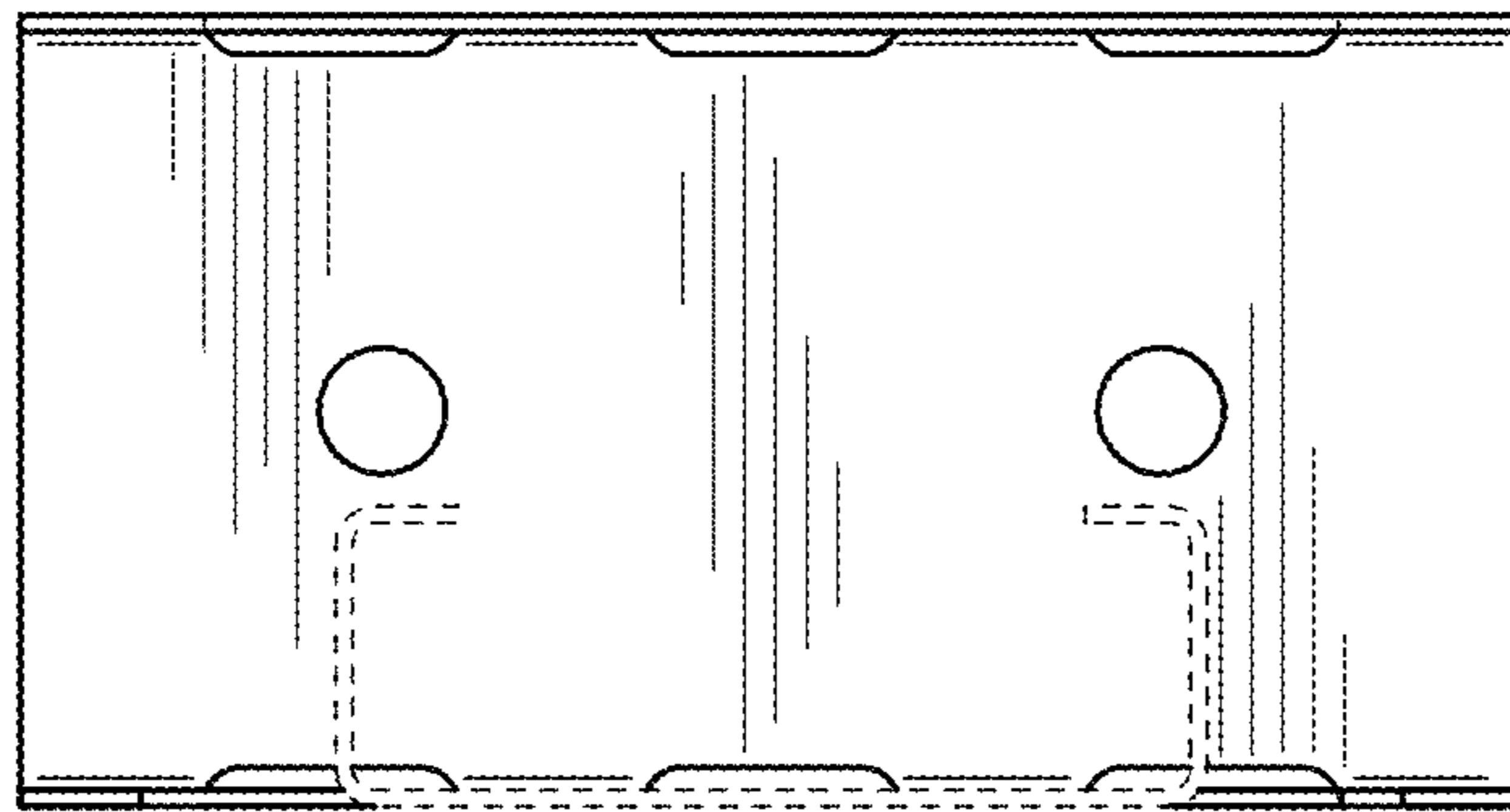


FIG. 5

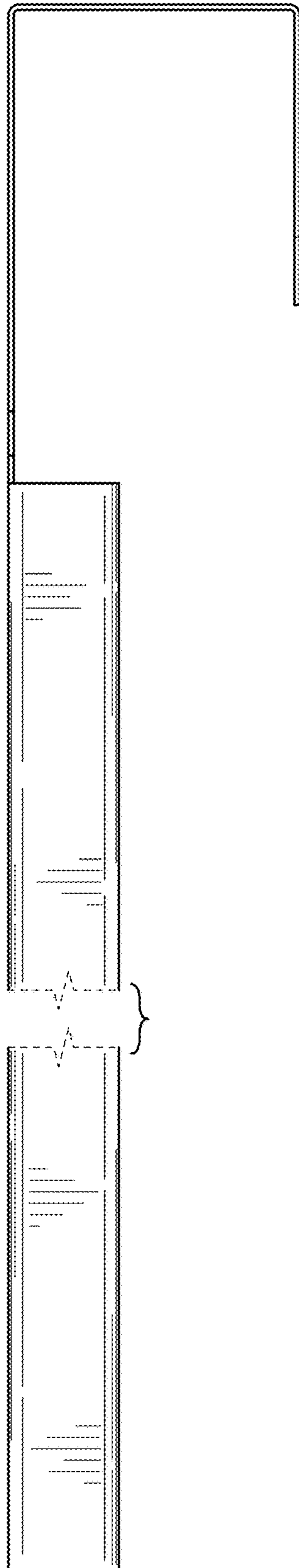


FIG. 6

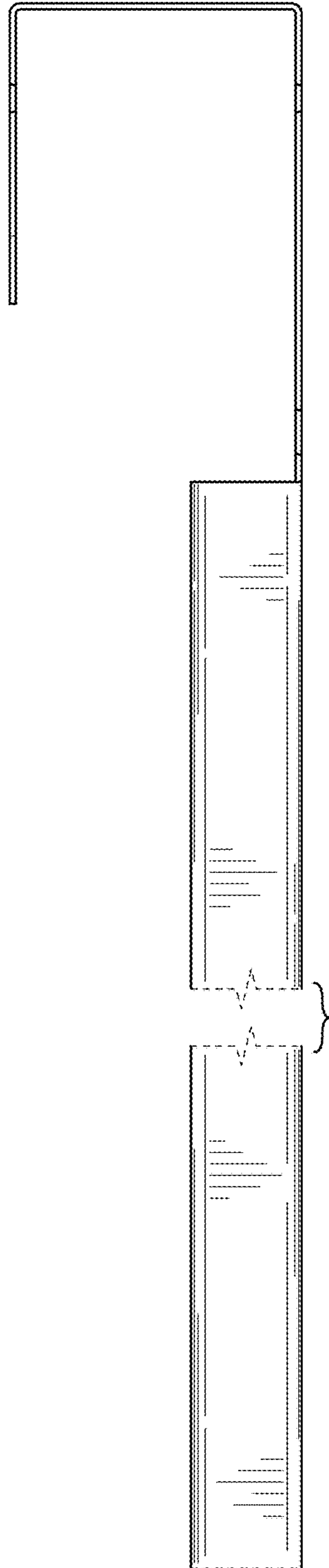


FIG. 7