



US00D816465S

(12) **United States Design Patent**
Fortoloczk

(10) **Patent No.:** **US D816,465 S**

(45) **Date of Patent:** **** May 1, 2018**

- (54) **STRINGING FACILITATOR**
- (71) Applicant: **Peter Fortoloczk**, Essex Falls, NJ (US)
- (72) Inventor: **Peter Fortoloczk**, Essex Falls, NJ (US)
- (73) Assignee: **Baby Cheetah Engineering LLC**,
Essex Falls, NJ (US)
- (**) Term: **15 Years**
- (21) Appl. No.: **29/594,710**
- (22) Filed: **Feb. 22, 2017**
- (51) **LOC (11) Cl.** **09-06**
- (52) **U.S. Cl.**
USPC **D8/356**
- (58) **Field of Classification Search**
USPC D8/356, 354, 349
CPC B65H 57/16; E02D 5/803; B63B 21/045;
B63B 59/02; B60D 1/18; B60P 1/103;
Y10T 24/3918; H02G 7/12
See application file for complete search history.

(56) **References Cited**

U.S. PATENT DOCUMENTS

- 2,396,836 A * 3/1946 Ellinwood F16L 3/2235
174/135
- 2,937,833 A * 5/1960 Sachs F16L 3/2235
248/49
- 3,546,364 A * 12/1970 O'Neel H01R 11/03
174/72 R
- 3,740,692 A * 6/1973 Filhaber H01R 4/38
174/72 R
- 4,099,626 A * 7/1978 Magnussen, Jr. A47B 63/02
211/194
- D258,864 S * 4/1981 Muller D8/356
- D265,052 S * 6/1982 Husted D8/356
- 5,234,185 A * 8/1993 Hoffman F16L 5/14
248/56
- 5,316,246 A * 5/1994 Scott A61M 5/1418
248/68.1

- D353,990 S * 1/1995 Alfreds D8/356
- D354,904 S * 1/1995 Halsten D8/356
- D372,188 S * 7/1996 Van Dyke D8/358
- D390,447 S * 2/1998 Colen, Jr. D8/356
- 5,992,802 A * 11/1999 Campbell F16L 3/2235
248/68.1
- 6,012,940 A * 1/2000 Wheeler H01R 13/6392
439/369
- D430,005 S * 8/2000 Stearns D8/380
- 6,203,384 B1 * 3/2001 DeFrance H01R 4/36
439/797
- 6,227,502 B1 * 5/2001 Derman F16L 3/2235
248/68.1
- D448,650 S * 10/2001 Vrame D8/354
- 6,571,854 B1 * 6/2003 Palmer E06B 9/324
160/173 R
- D485,161 S * 1/2004 Hutchinson D8/383
- D494,450 S * 8/2004 Schultz D8/356

(Continued)

Primary Examiner — Cynthia Underwood
(74) *Attorney, Agent, or Firm* — David B. Gornish;
Eckert Seamans Cherin & Mellott LLC

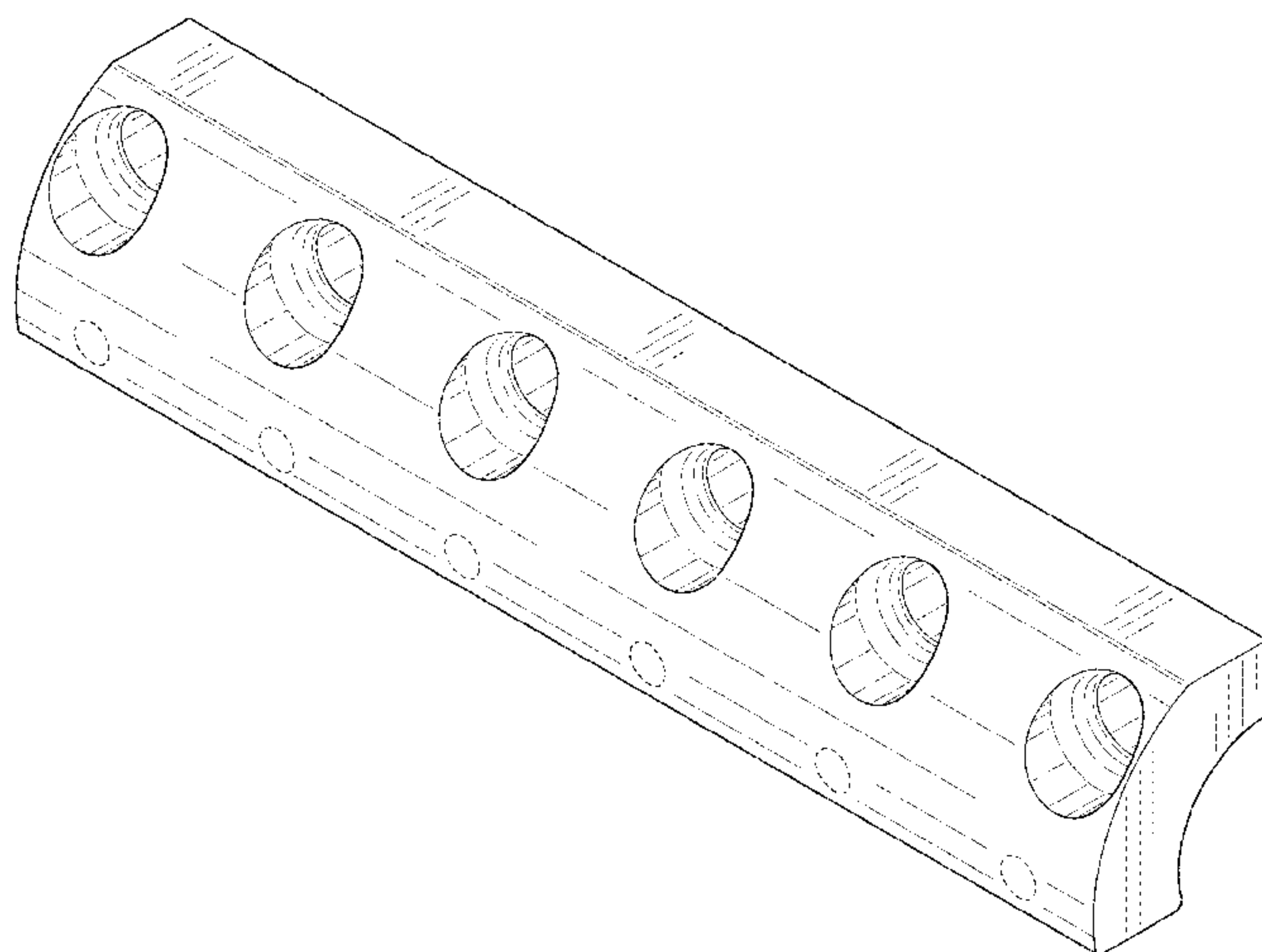
(57) **CLAIM**

The ornamental design of a stringing facilitator, as shown and described.

DESCRIPTION

FIG. 1 is a front perspective view of a stringing facilitator, showing my new design.
FIG. 2 is rear perspective view thereof.
FIG. 3 is a front elevational view thereof.
FIG. 4 is a rear elevational view thereof.
FIG. 5 is a front plan view thereof.
FIG. 6 is a left plan view thereof.
FIG. 7 is a front plan view thereof; and,
FIG. 8 is a rear plan view thereof.
The broken lines represent environment that forms no part of the claim.

1 Claim, 5 Drawing Sheets



(56)

References Cited

U.S. PATENT DOCUMENTS

D537,332 S * 2/2007 Nagle D8/396
D576,867 S * 9/2008 Kretz D8/356
7,610,661 B2 * 11/2009 Sween B65H 75/06
24/129 R
D644,501 S * 9/2011 Chen D8/356
8,294,030 B2 * 10/2012 Pollard, Jr. H02G 3/24
174/155
D691,875 S * 10/2013 Ganski D8/356
D731,296 S * 6/2015 Nelson D8/356
D733,534 S * 7/2015 Altrichter D8/356
D753,985 S * 4/2016 Nelson D8/356
9,314,013 B2 * 4/2016 Mancuso, Jr. A01M 31/006
D756,752 S * 5/2016 Dentener D8/356
D774,002 S * 12/2016 Hsieh D13/155
D791,582 S * 7/2017 Nelson D8/356
D794,434 S * 8/2017 McCoy D8/354
9,755,354 B1 * 9/2017 Aumiller H01R 13/60
D801,784 S * 11/2017 Simon D8/356

* cited by examiner

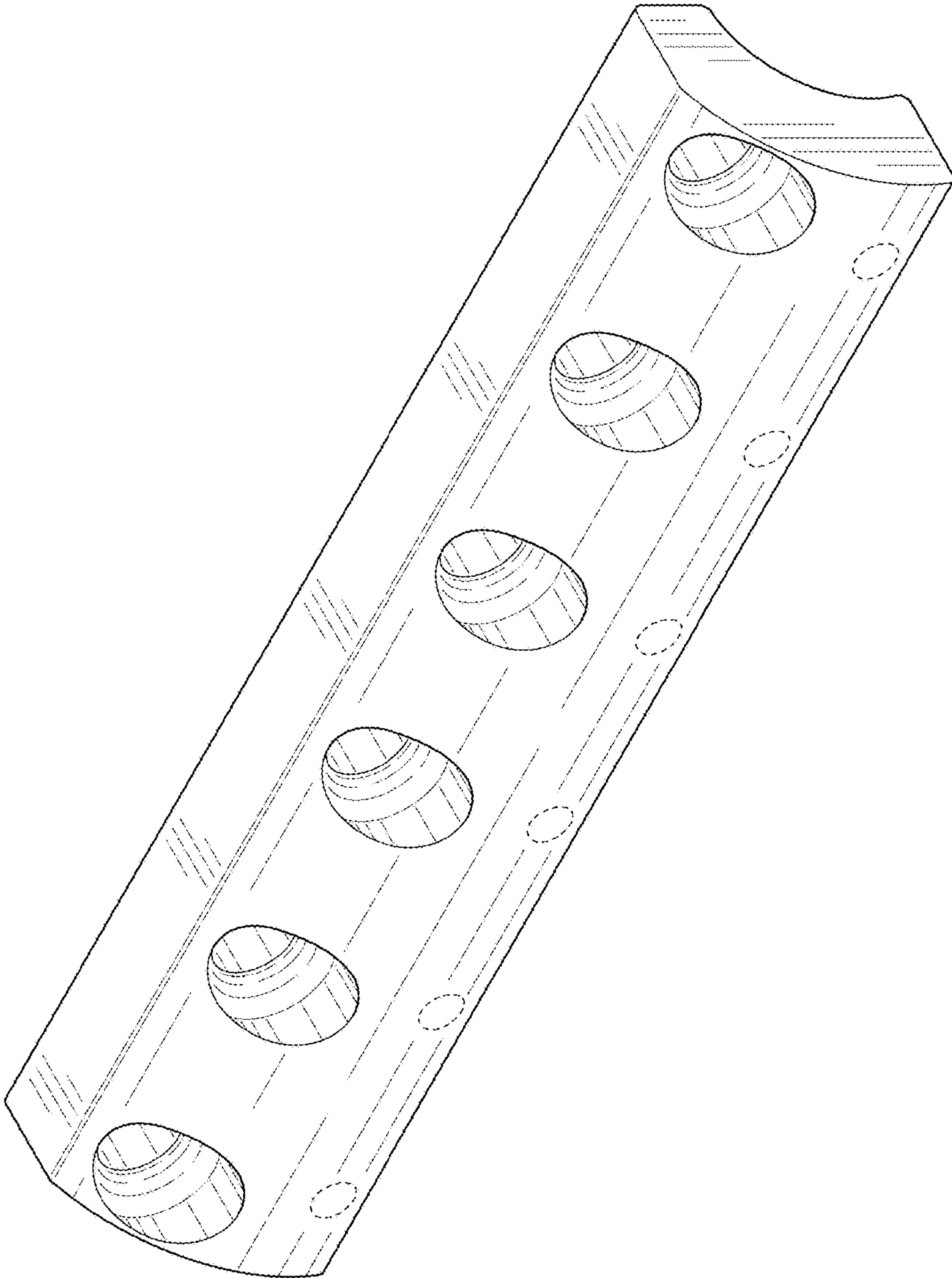


FIG. 1

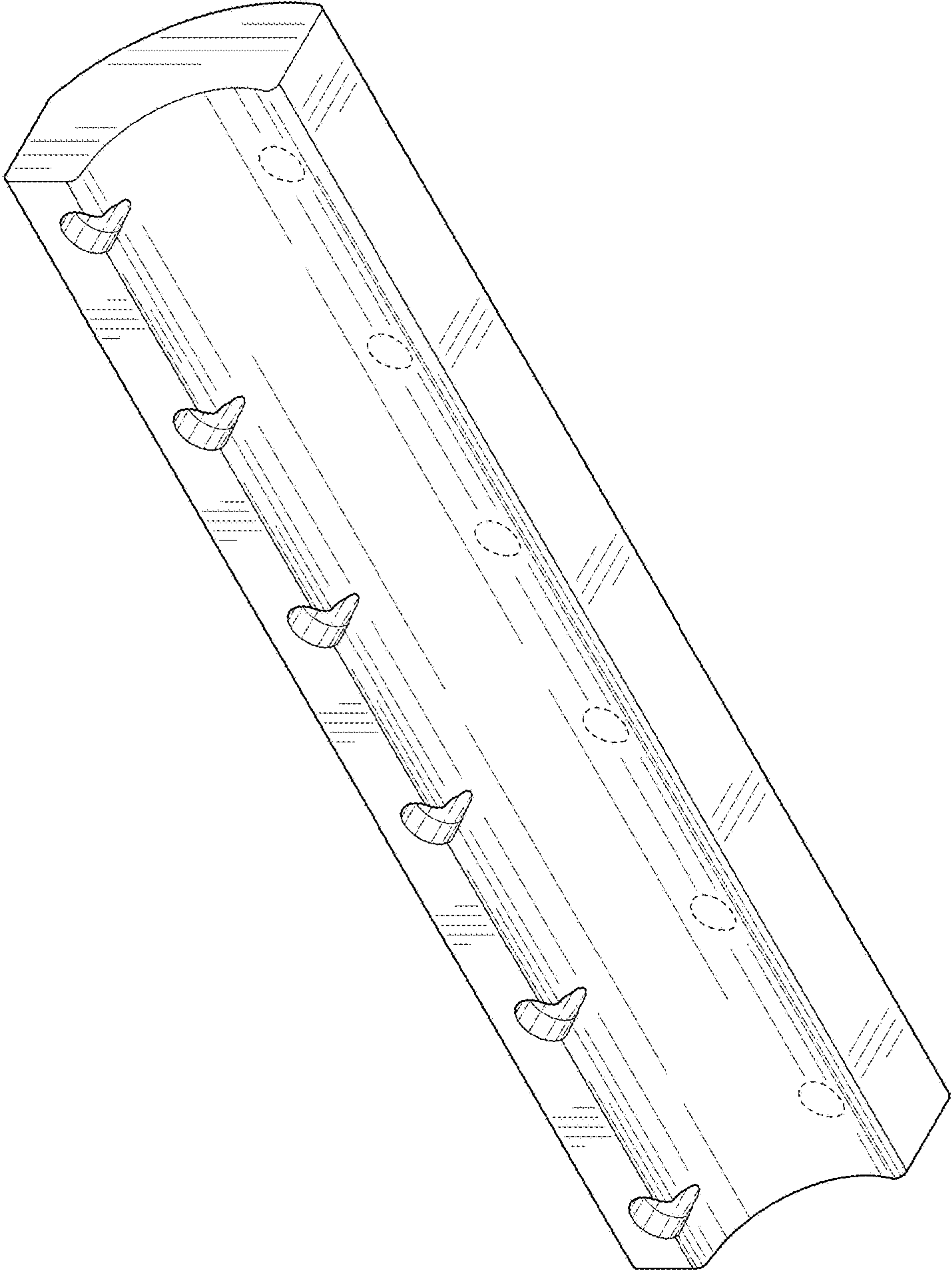


FIG. 2

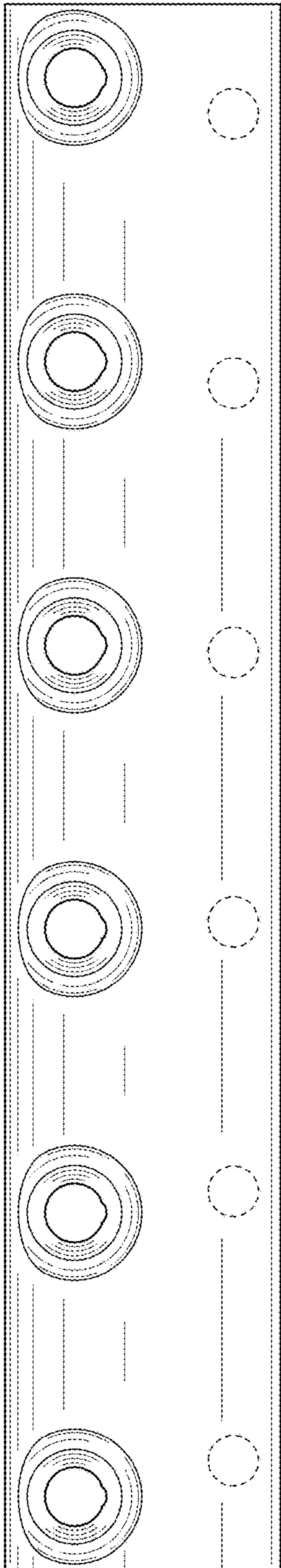


FIG. 3

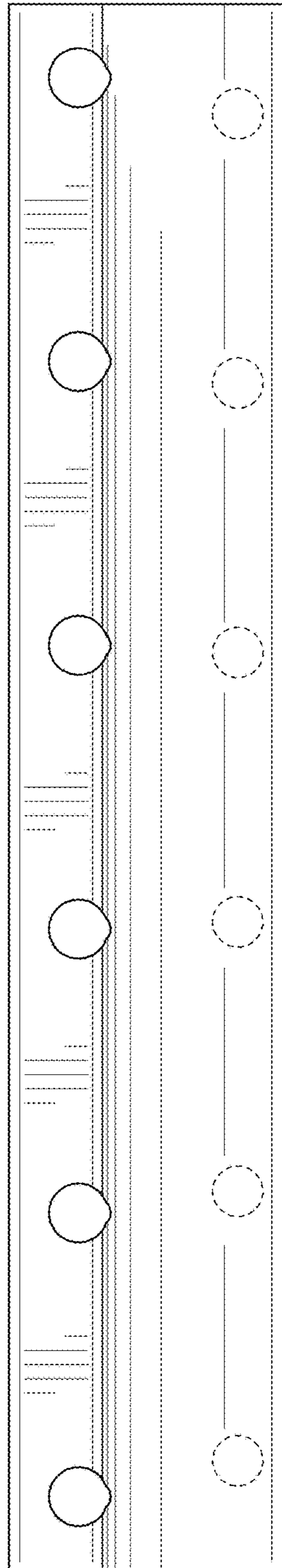


FIG. 4

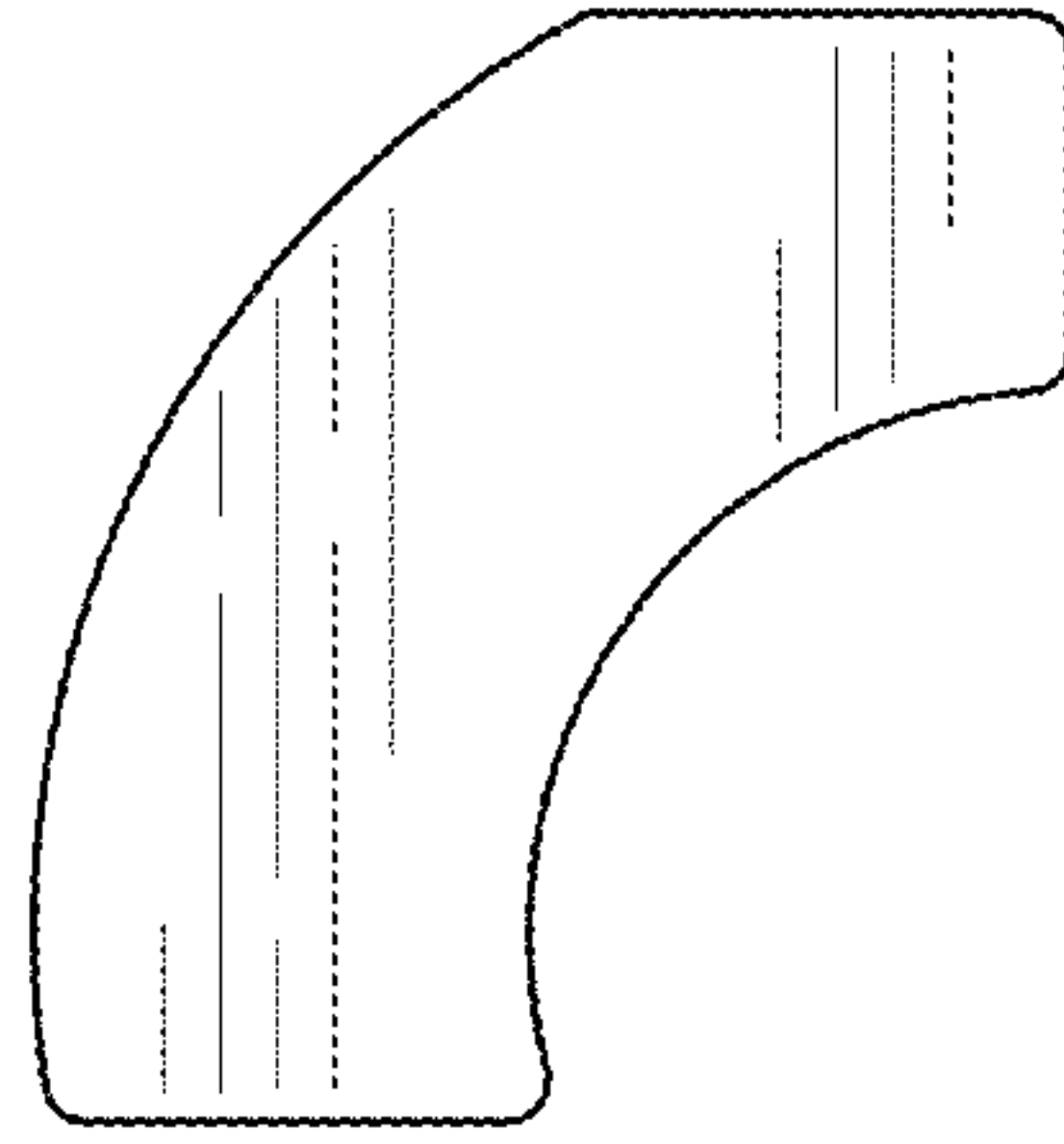


FIG. 5

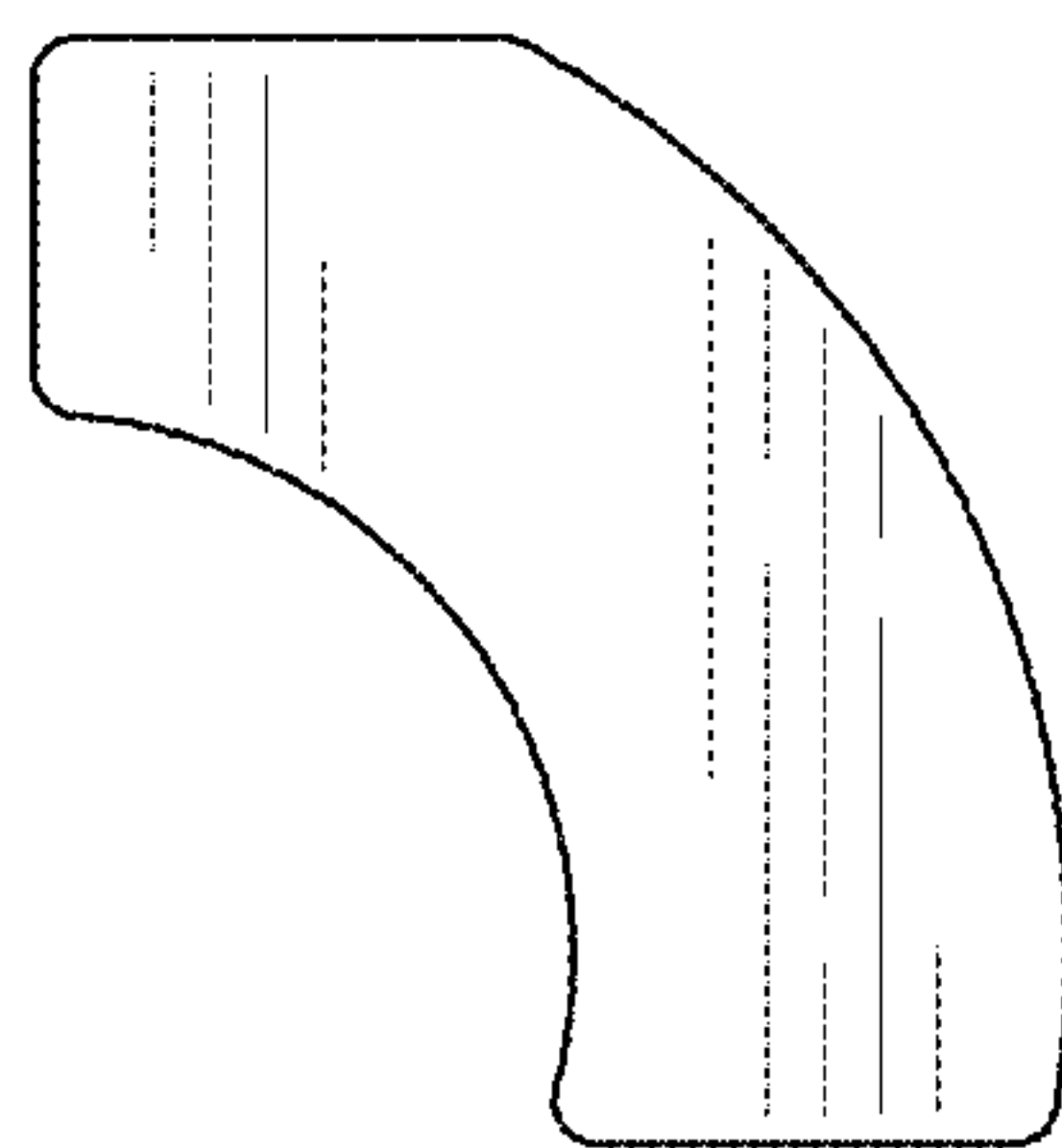


FIG. 6

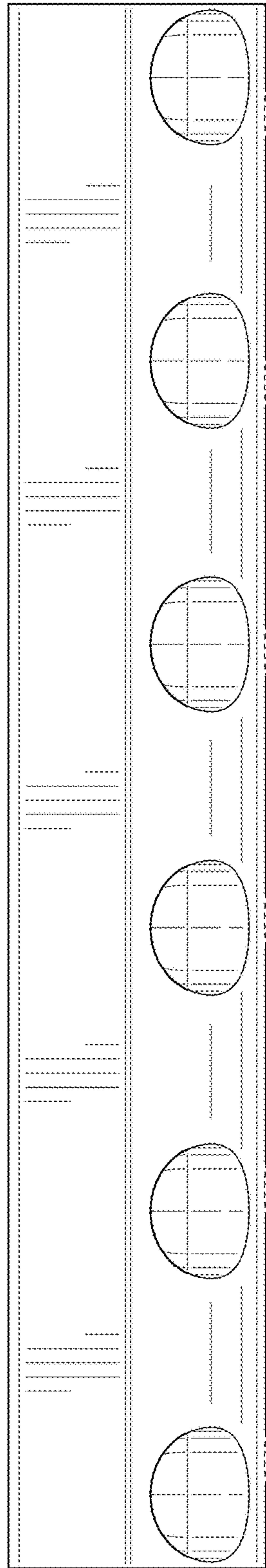


FIG. 7

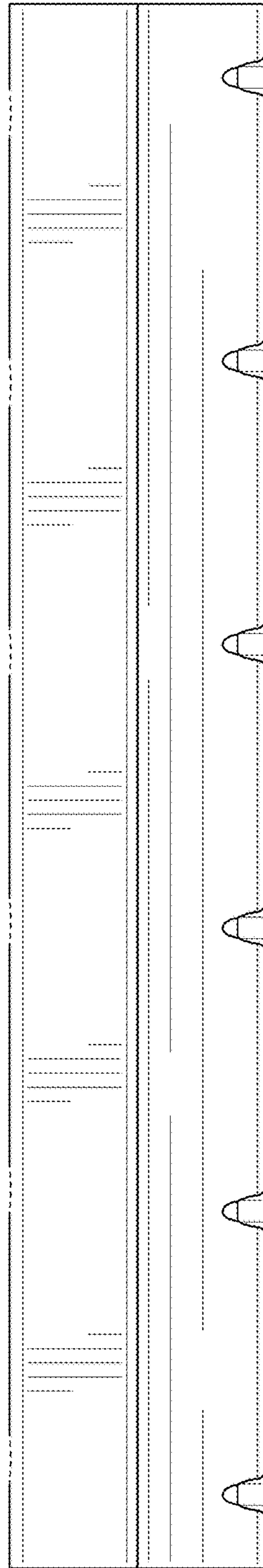


FIG. 8