



US00D816464S

(12) **United States Design Patent** (10) **Patent No.:** **US D816,464 S**
Piccoli (45) **Date of Patent:** **** May 1, 2018**

(54) **PRODUCT SECURITY DEVICE**

(71) Applicant: **CHECKPOINT SYSTEMS, INC.**,
Thorofare, NJ (US)
(72) Inventor: **Anthony F. Piccoli**, West Deptford, NJ
(US)
(73) Assignee: **Checkpoint Systems, Inc.**, Thorofare,
NJ (US)

(**) Term: **15 Years**

(21) Appl. No.: **29/595,995**

(22) Filed: **Mar. 3, 2017**

(51) **LOC (11) Cl.** **08-07**

(52) **U.S. Cl.**
USPC **D8/346**

(58) **Field of Classification Search**
USPC D8/330, 336, 343-346, 382, 383;
70/174-179, 158, 163, 154, 252, 299,
(Continued)

(56) **References Cited**

U.S. PATENT DOCUMENTS

D389,442 S * 1/1998 Kantor D12/162
6,822,567 B2 * 11/2004 Durbin E05B 73/0041
215/201

(Continued)

Primary Examiner — Prabhakar Deshmukh

(74) *Attorney, Agent, or Firm* — McNair Law Firm, P.A.

(57) **CLAIM**

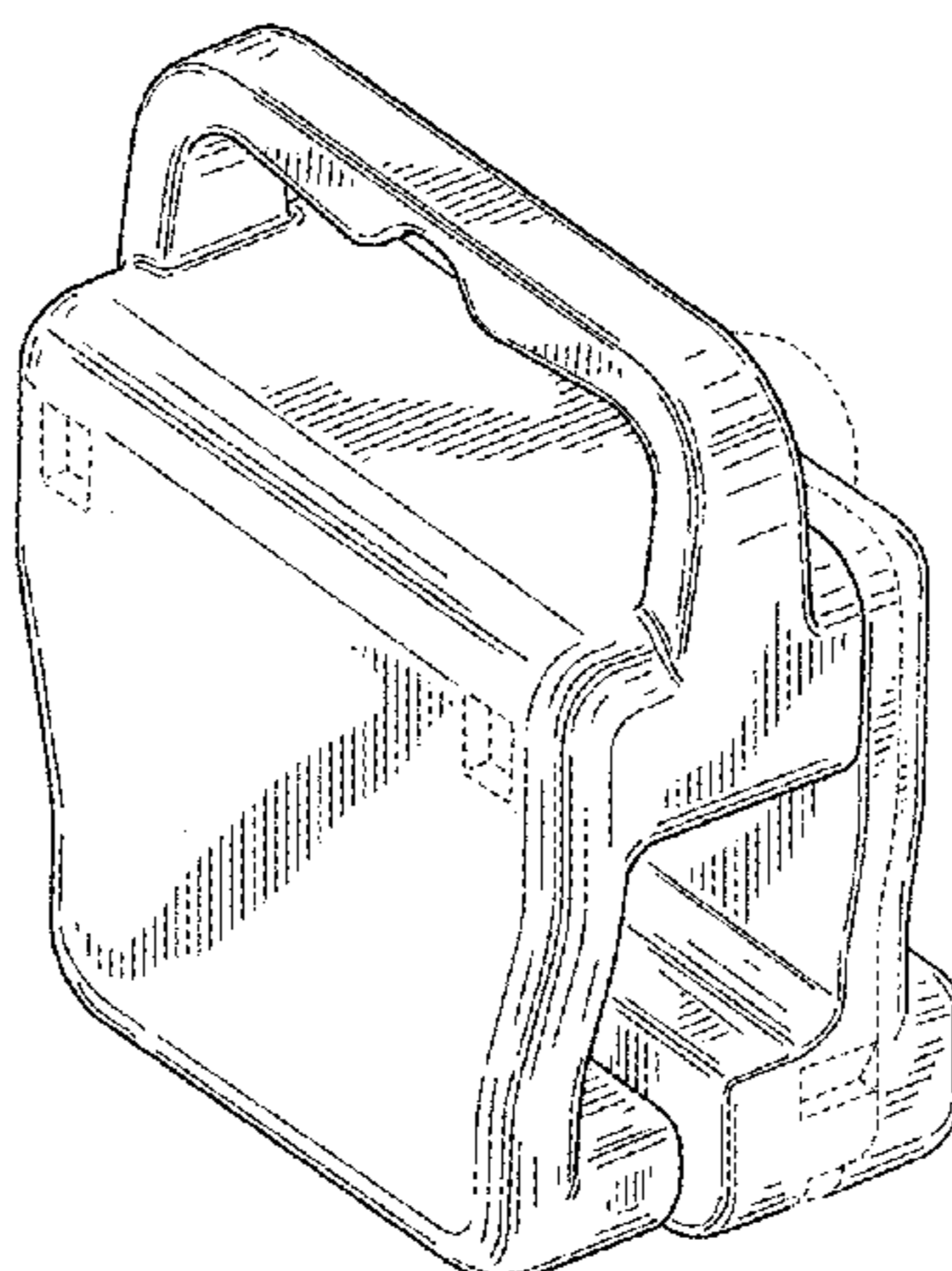
The ornamental design for an product security device, as shown and described.

DESCRIPTION

FIG. 1 is a perspective view of a product security device in a locked position in accordance with an embodiment of the present invention;

FIG. 2 is a front view of the product security device of FIG. 1 in the locked position;
FIG. 3 is a rear view of the product security device of FIG. 1 in the locked position;
FIG. 4 is a right side view of the product security device of FIG. 1 in the locked position;
FIG. 5 is a left side view of the product security device of FIG. 1 in the locked position;
FIG. 6 is a top view of the product security device of FIG. 1 in the locked position;
FIG. 7 is a bottom view of the product security device of FIG. 1 in the locked position;
FIG. 8 is a perspective view of the product security device of FIG. 1 in an unlocked position;
FIG. 9 is a right side view of the product security device of FIG. 1 in an unlocked position;
FIG. 10 is a perspective view of a front component of the product security device of FIG. 1;
FIG. 11 is a front view of the front component of the product security device of FIG. 1;
FIG. 12 is a rear view of the front component of the product security device of FIG. 1;
FIG. 13 is a right side view of the front component of the product security device of FIG. 1;
FIG. 14 is a left side view of the front component of the product security device of FIG. 1;
FIG. 15 is a top view of the front component of the product security device of FIG. 1;
FIG. 16 is a bottom view of the front component of the product security device of FIG. 1;
FIG. 17 is a perspective view of a rear component of the product security device of FIG. 1;
FIG. 18 is a front view of the rear component of the product security device of FIG. 1;
FIG. 19 is a rear view of the rear component of the product security device of FIG. 1;
FIG. 20 is a right side view of the rear component of the product security device of FIG. 1;
FIG. 21 is a left side view of the rear component of the product security device of FIG. 1;
FIG. 22 is a top view of the rear component of the product security device of FIG. 1; and,
FIG. 23 is a bottom view of the rear component of the product security device of FIG. 1.

(Continued)



The broken lines of the product security device in FIGS. 1-23 form no part of the claimed design.

1 Claim, 19 Drawing Sheets

(58) **Field of Classification Search**

USPC 70/DIG. 56, DIG. 59; 292/2, 256, 337,
292/340, 341, 14, 345
CPC .. F16B 1/00; F16B 41/00; F16B 41/02; F16K
35/06

See application file for complete search history.

(56) **References Cited**

U.S. PATENT DOCUMENTS

D523,729	S *	6/2006	Gorst	D8/333
7,372,363	B2 *	5/2008	Durbin	E05B 73/00 215/201
7,671,741	B2 *	3/2010	Lax	E05B 73/0017 235/385
7,768,397	B1 *	8/2010	Kelsch	G08B 13/1445 340/545.6
D652,708	S *	1/2012	Figureida	D8/343
D731,873	S *	6/2015	Harder	F16L 35/00 D8/346
9,349,265	B2 *	5/2016	Grant	F16B 47/003
9,626,848	B2 *	4/2017	Davies	G08B 13/06
D793,842	S *	8/2017	van der Rest	D8/346

* cited by examiner

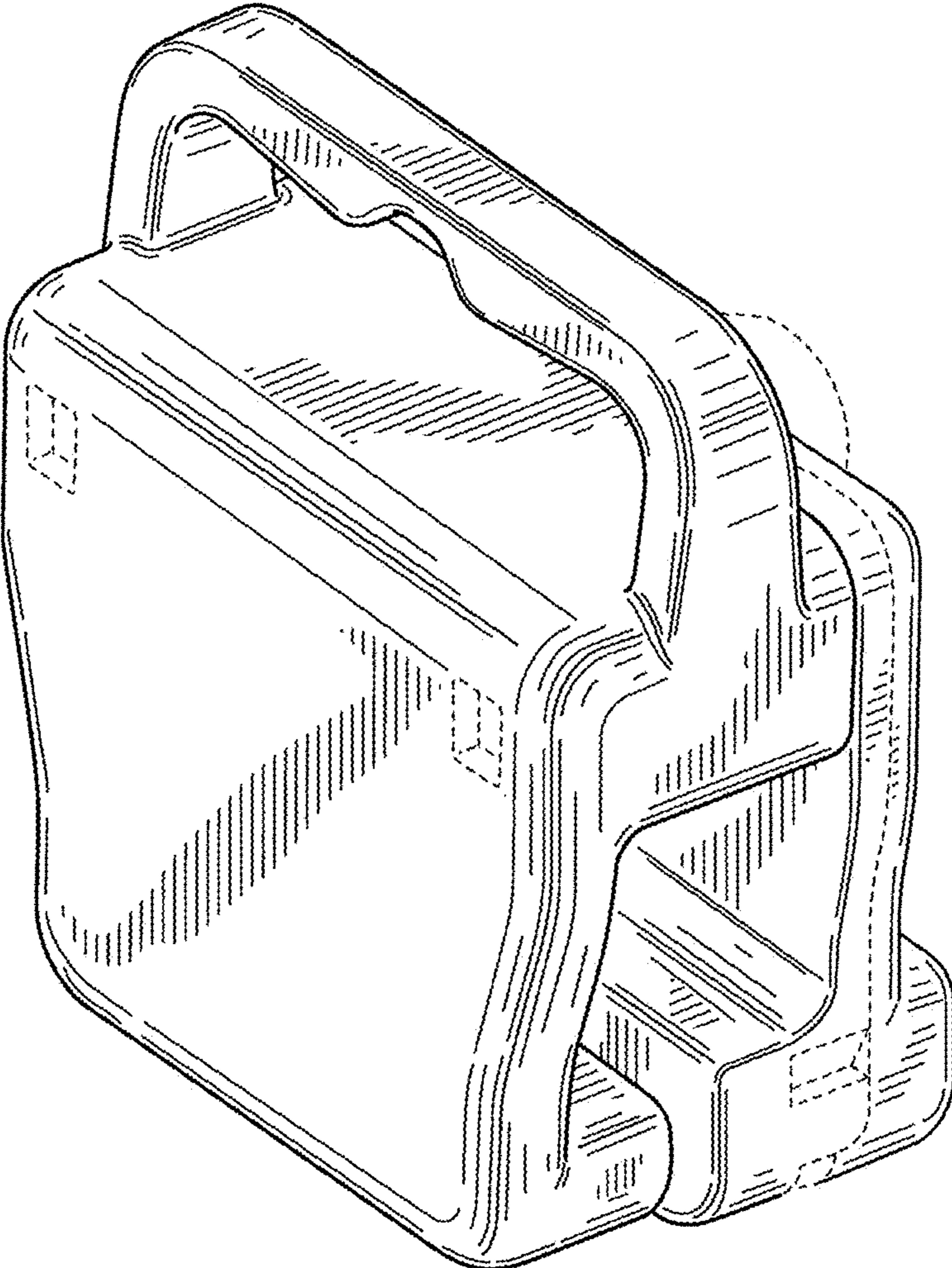


FIG. 1

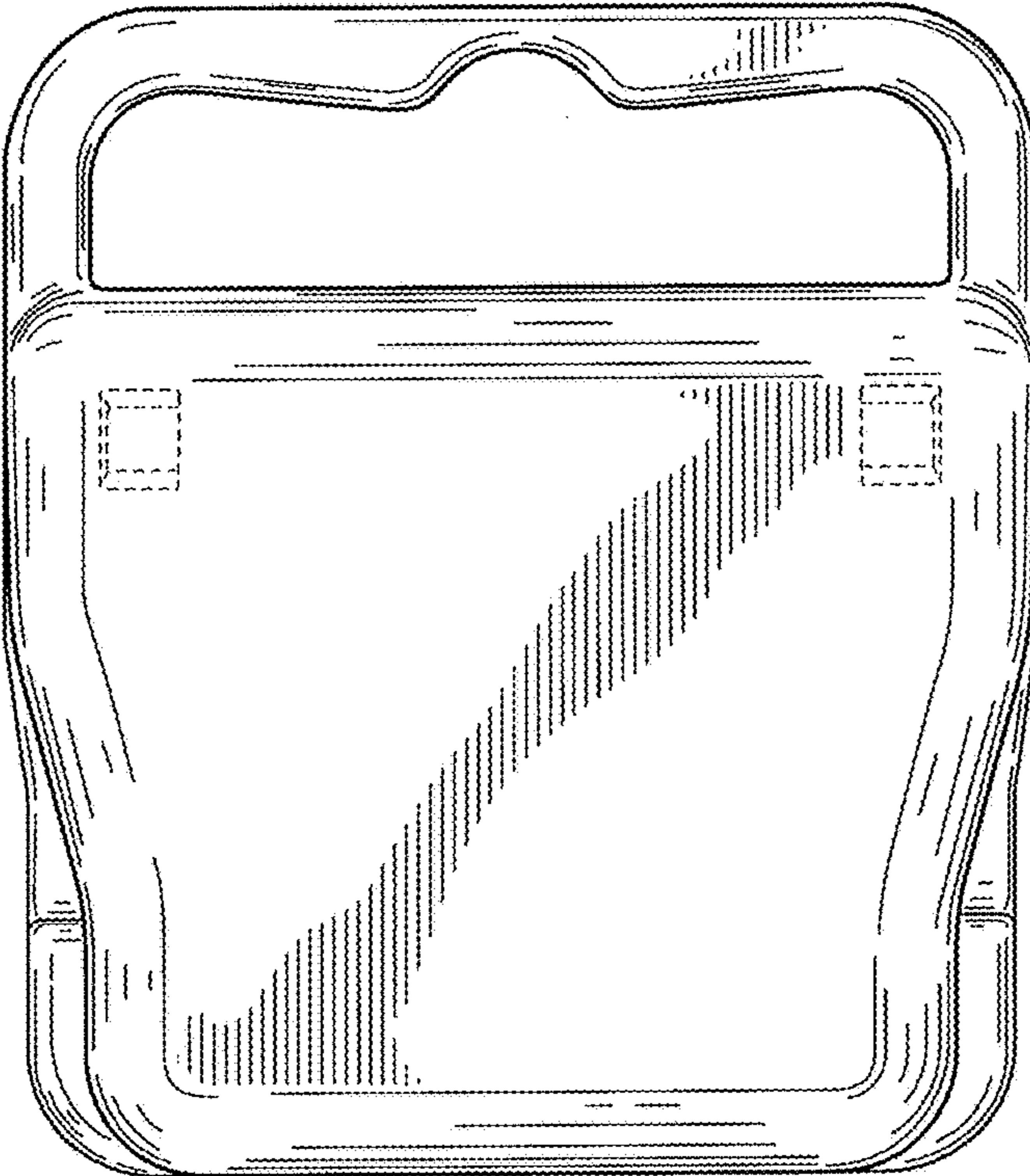


FIG. 2

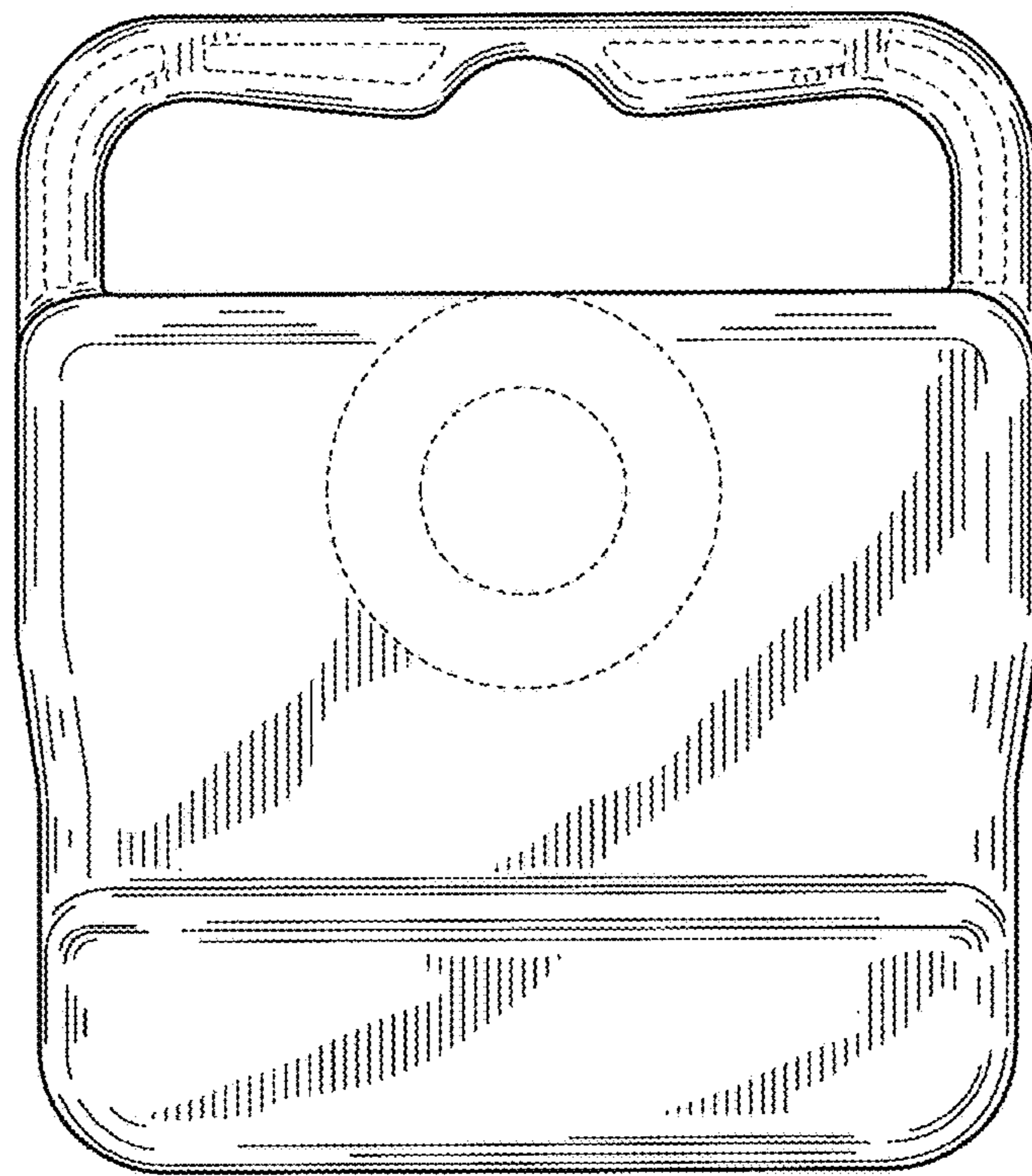


FIG. 3

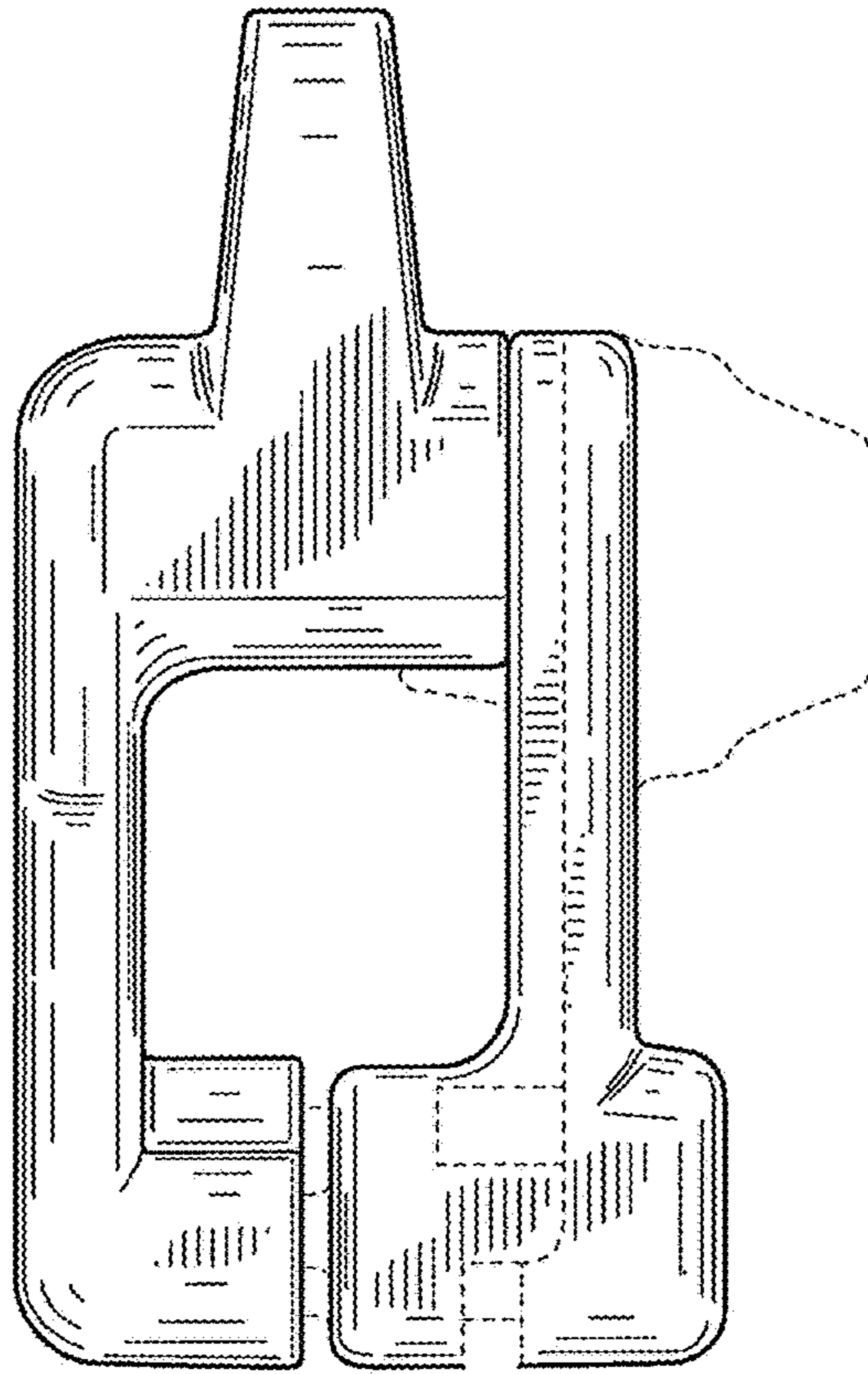


FIG. 4

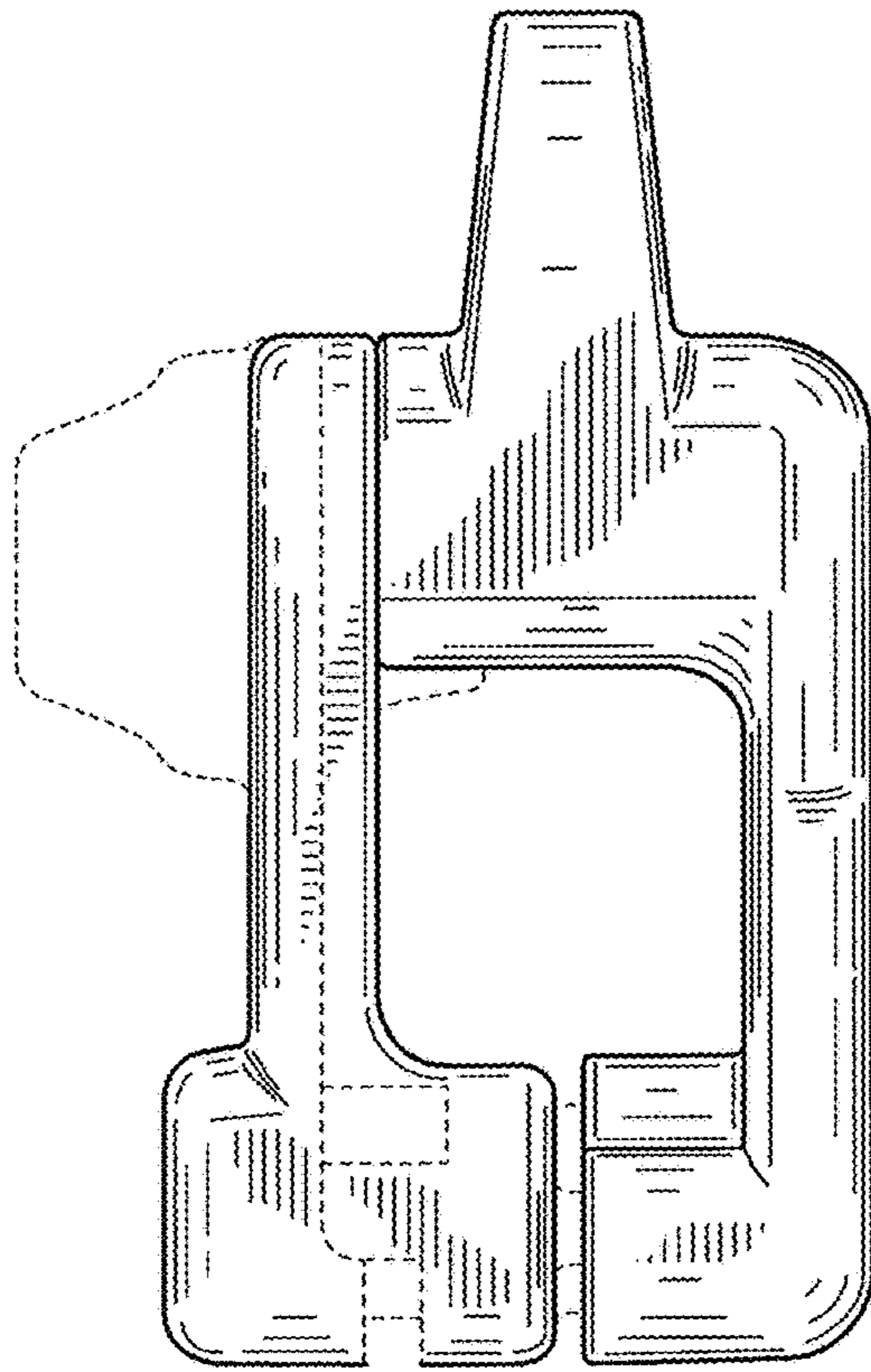


FIG. 5

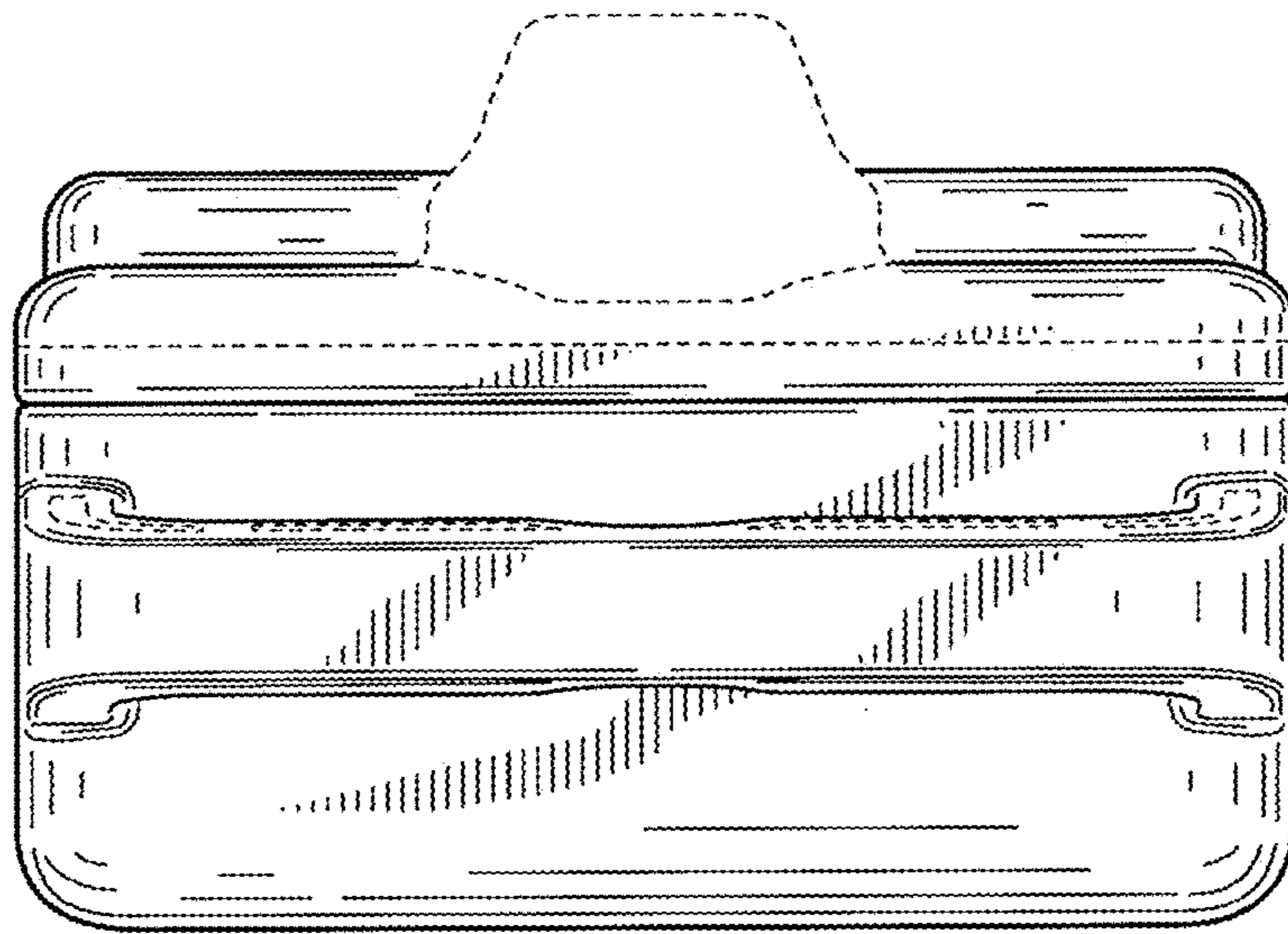


FIG. 6

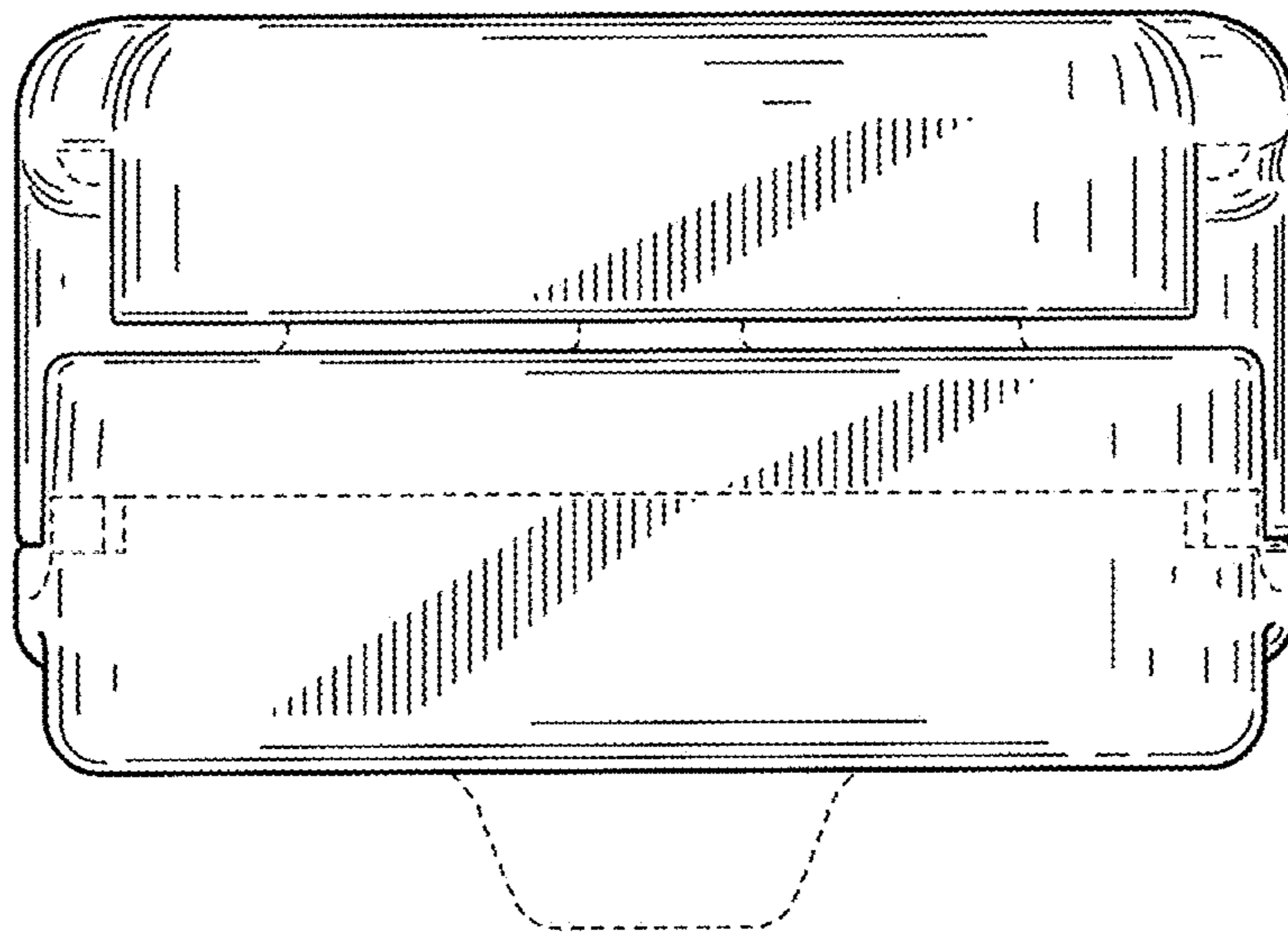


FIG. 7

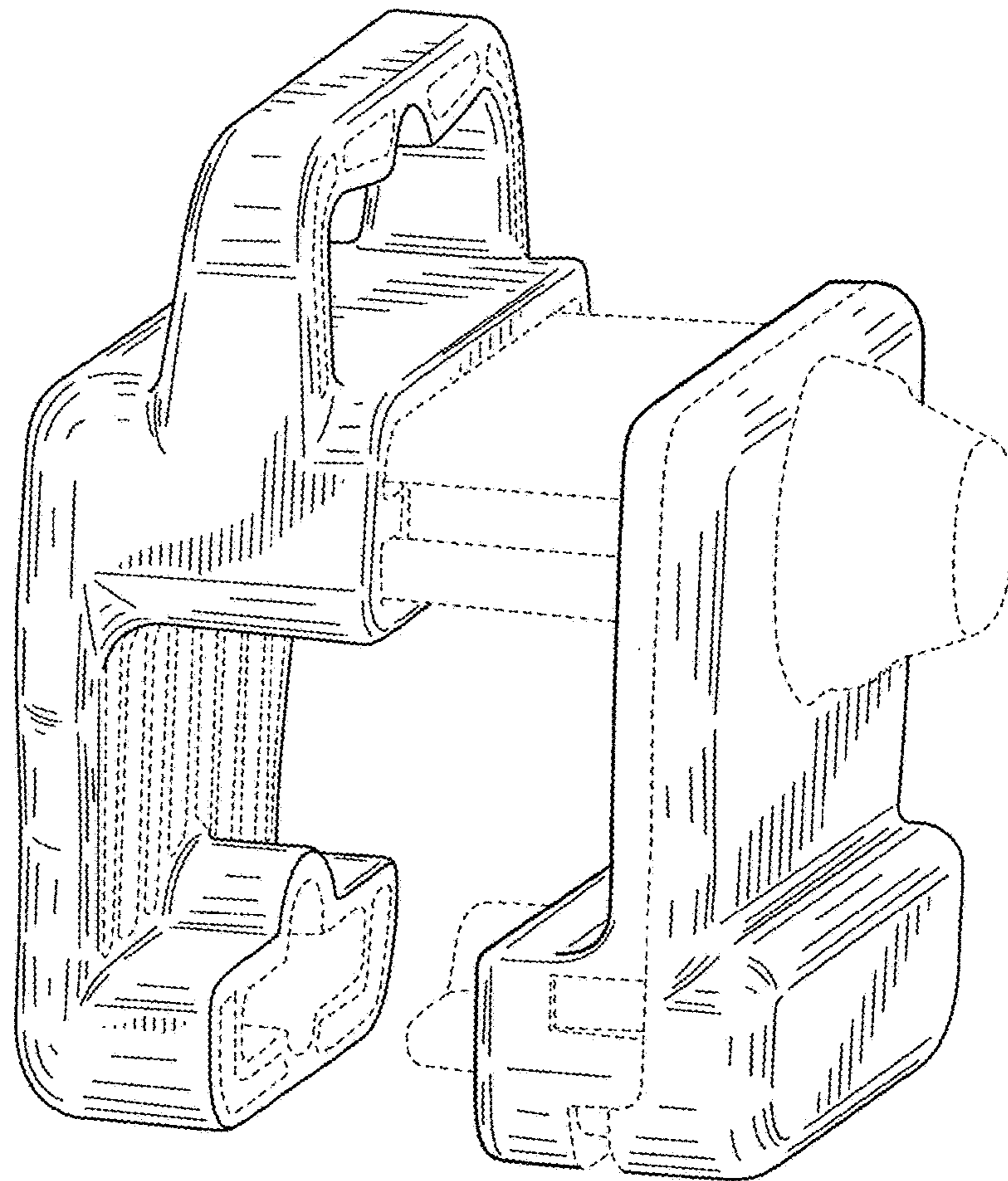


FIG. 8

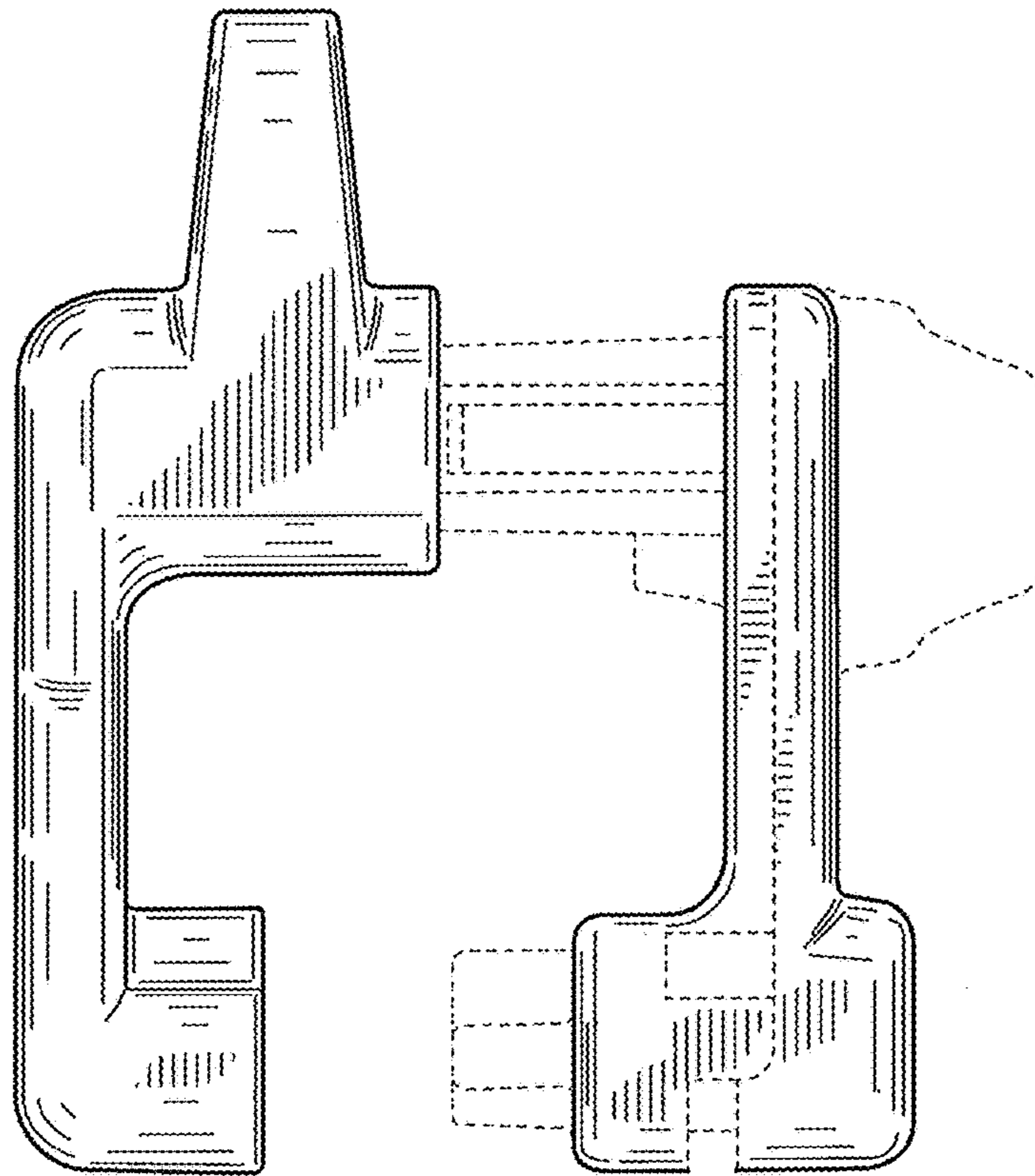


FIG. 9

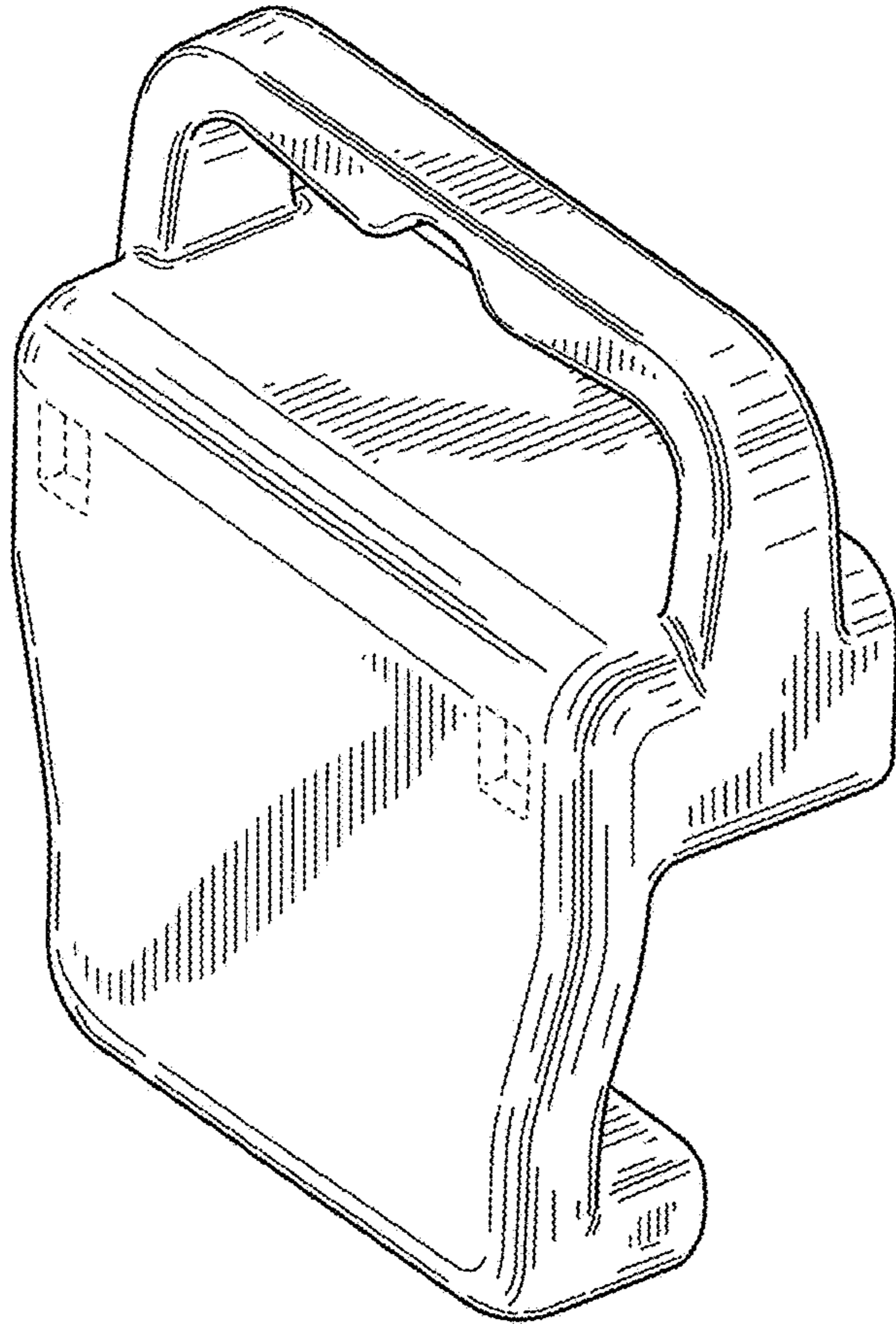


FIG. 10

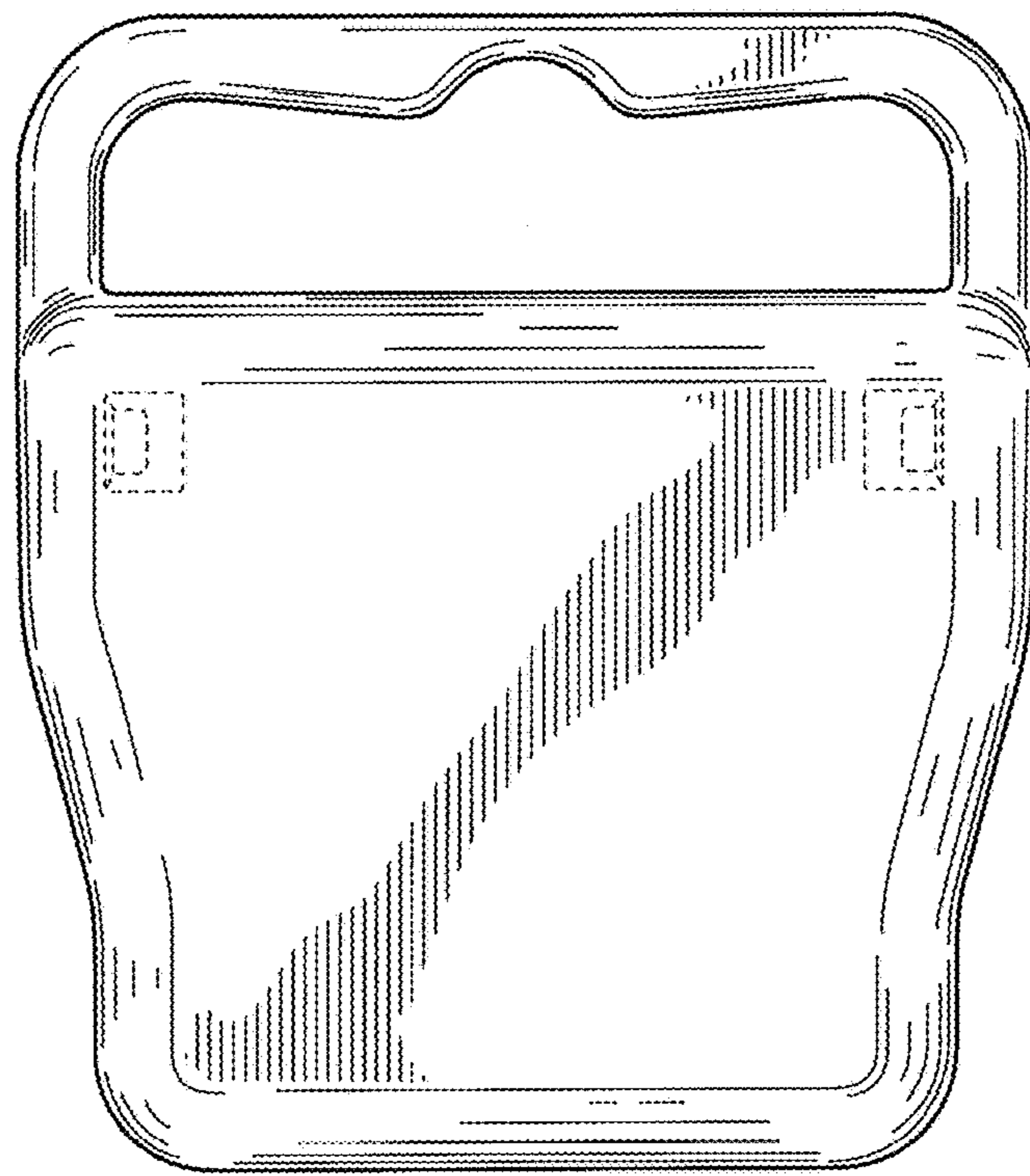


FIG. 11

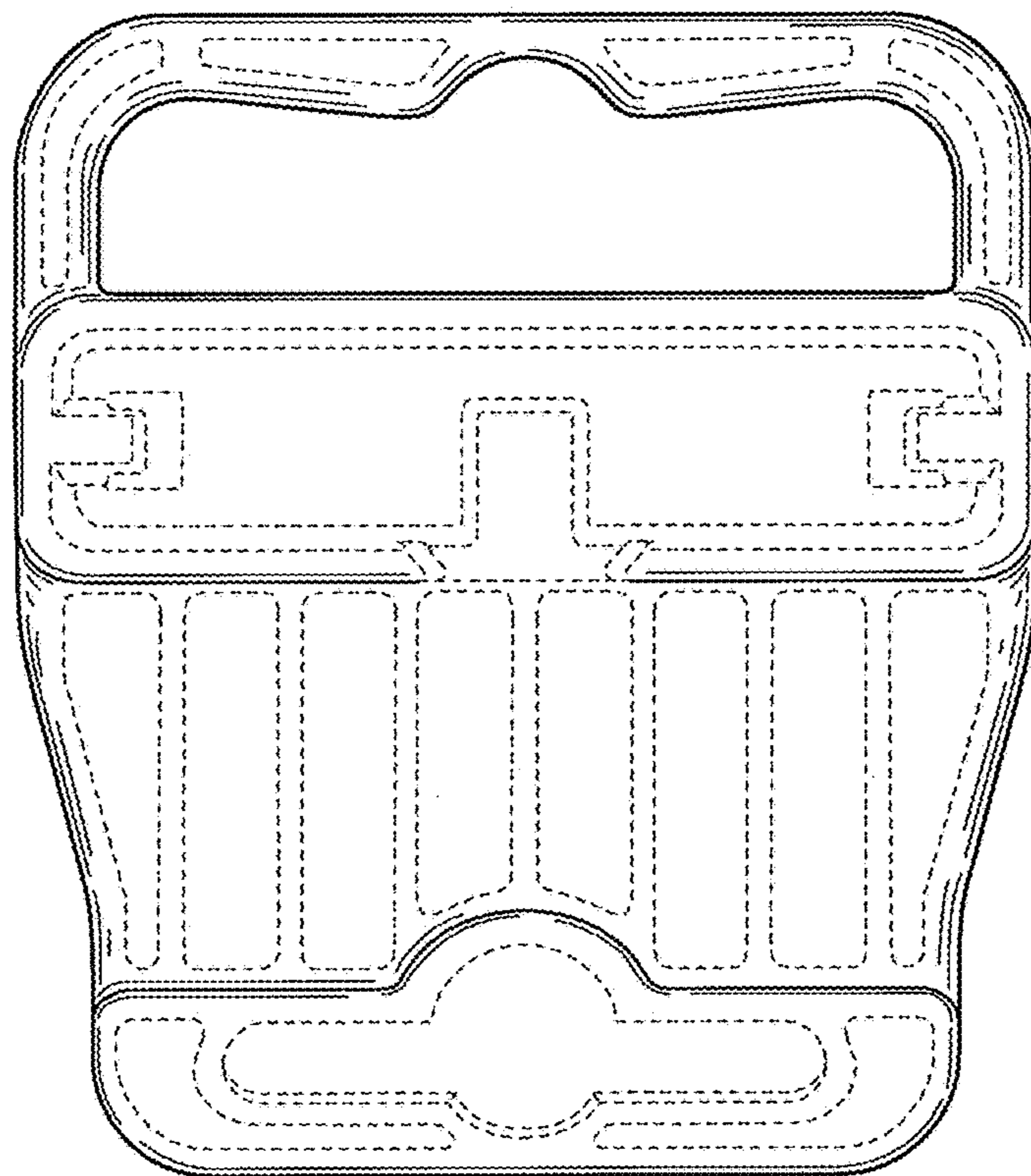


FIG. 12

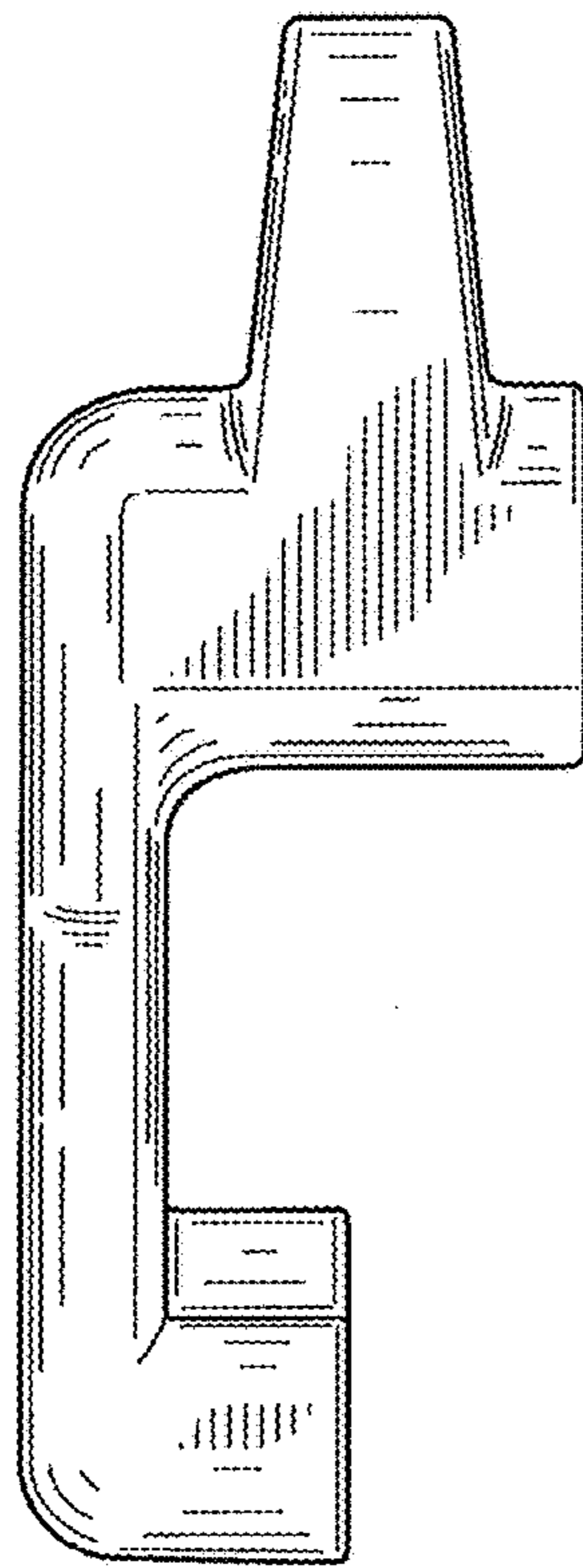


FIG. 13

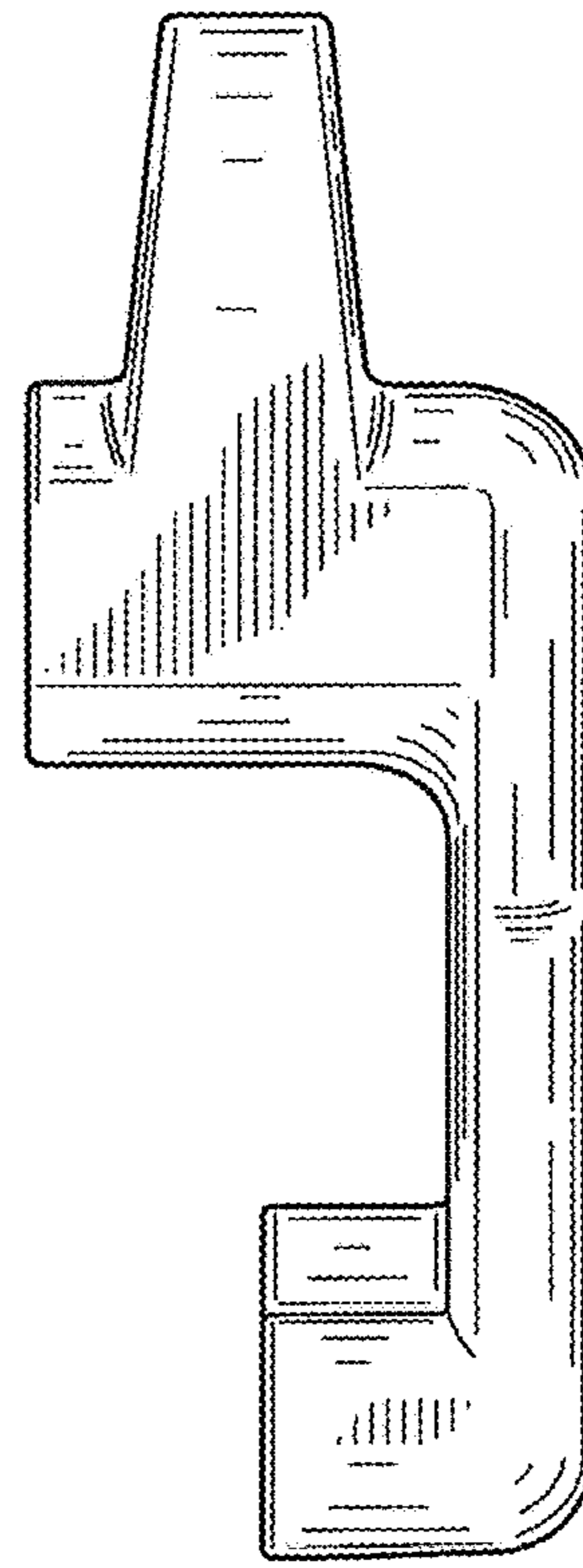


FIG. 14

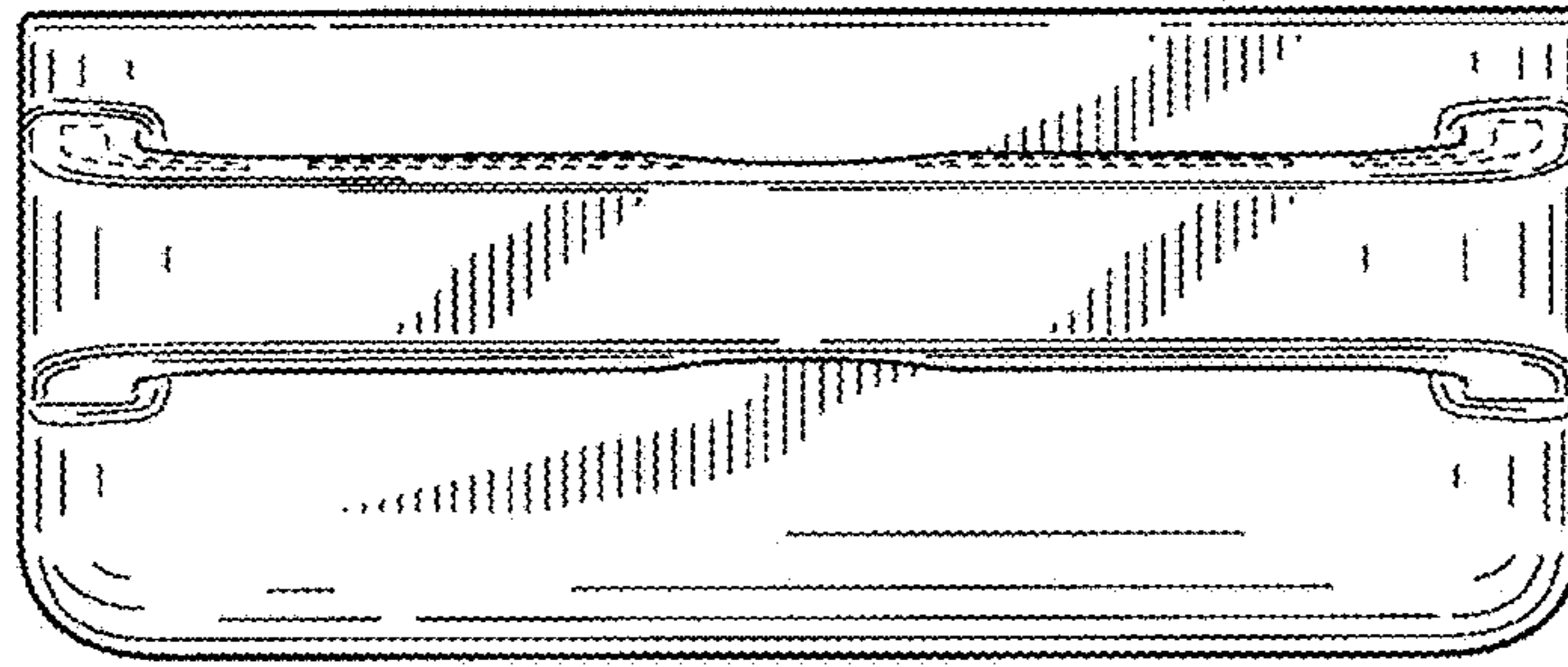


FIG. 15

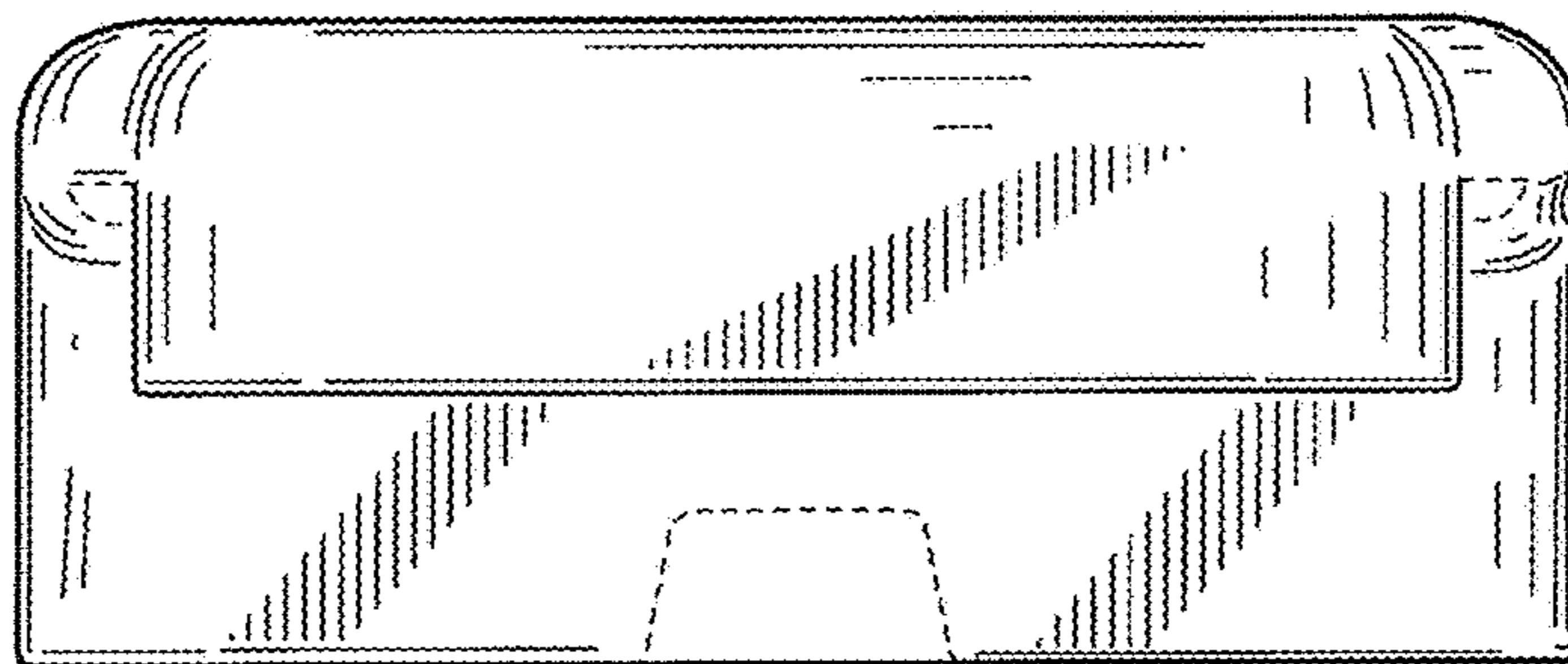


FIG. 16

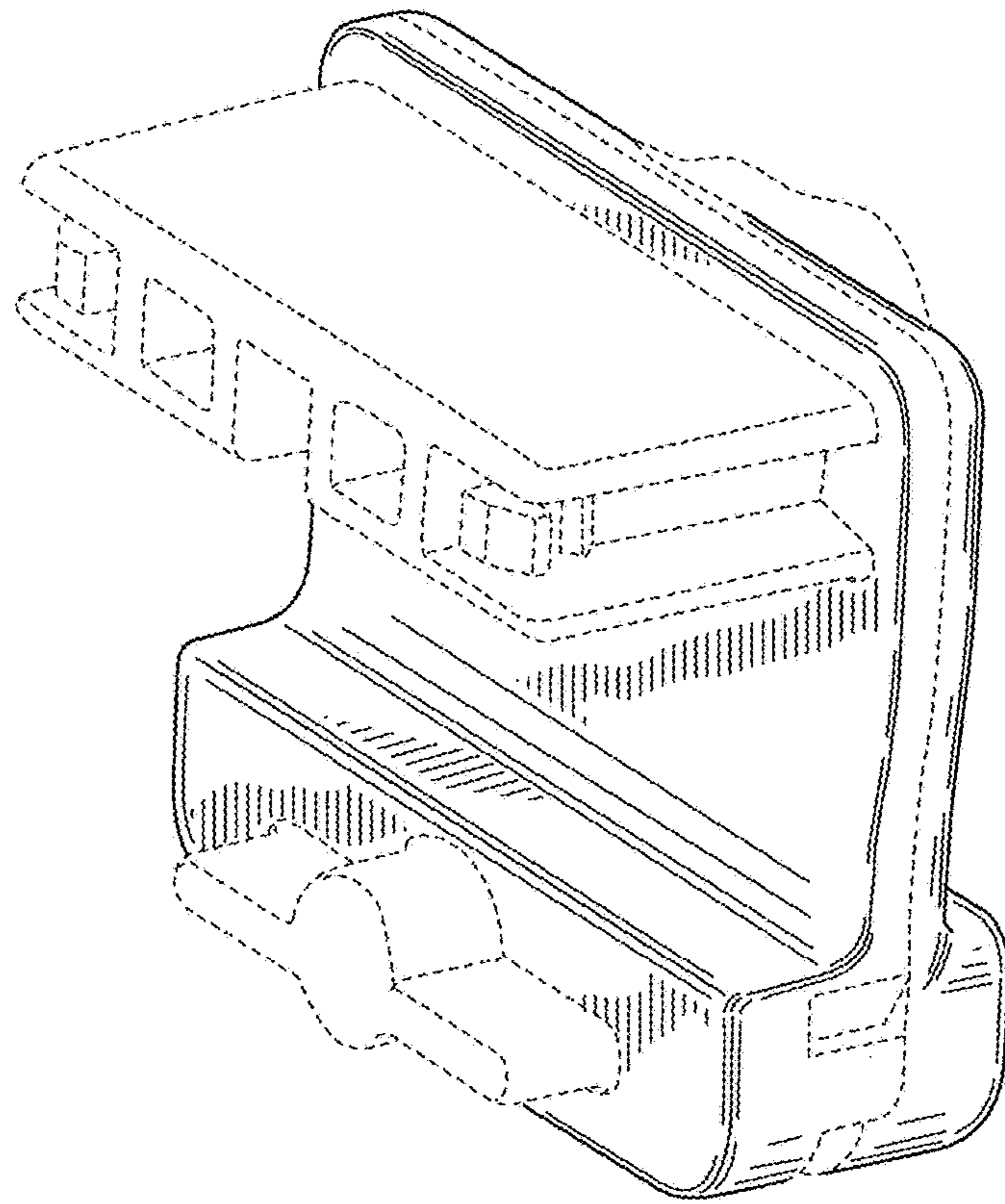


FIG. 17

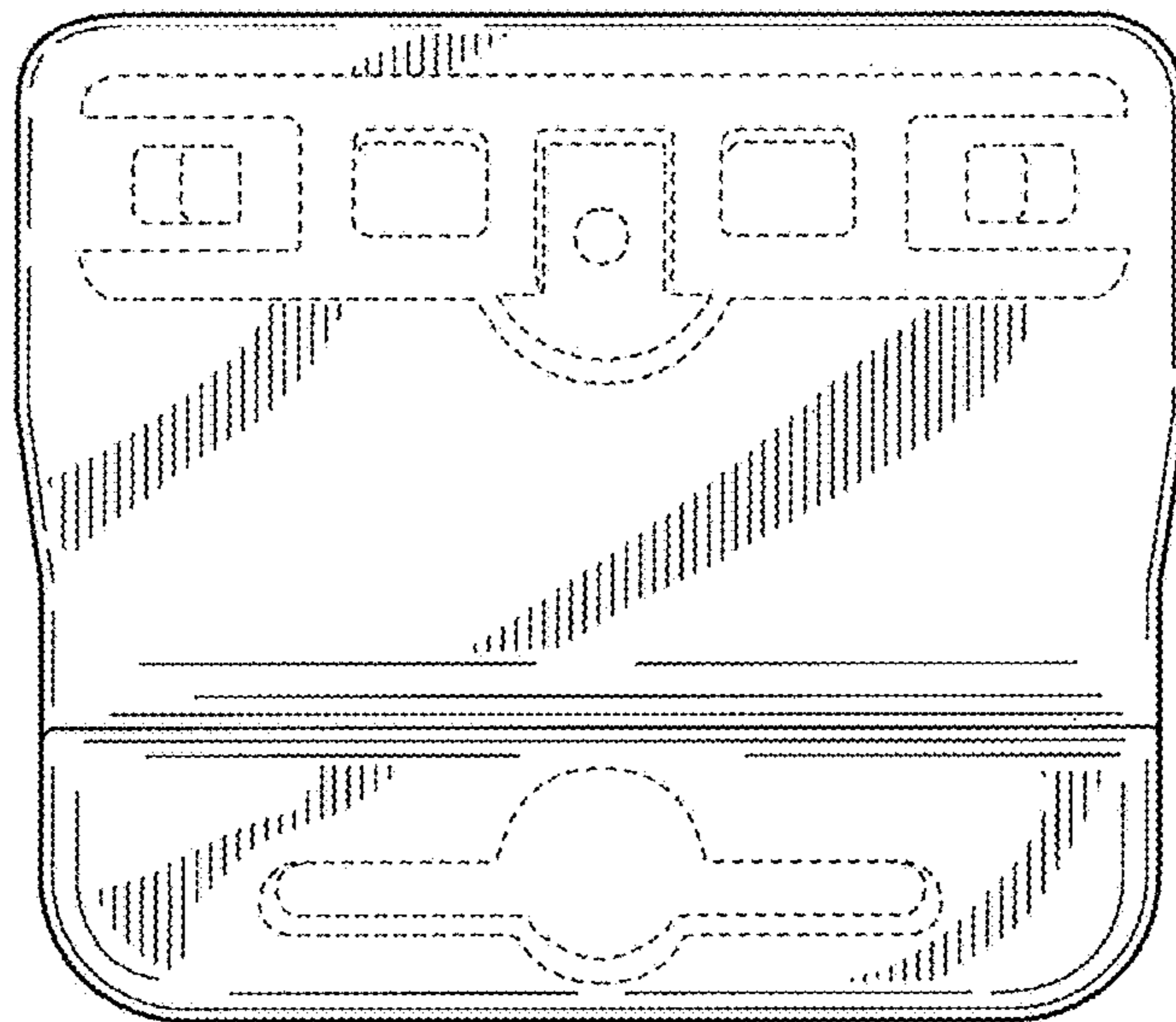


FIG. 18

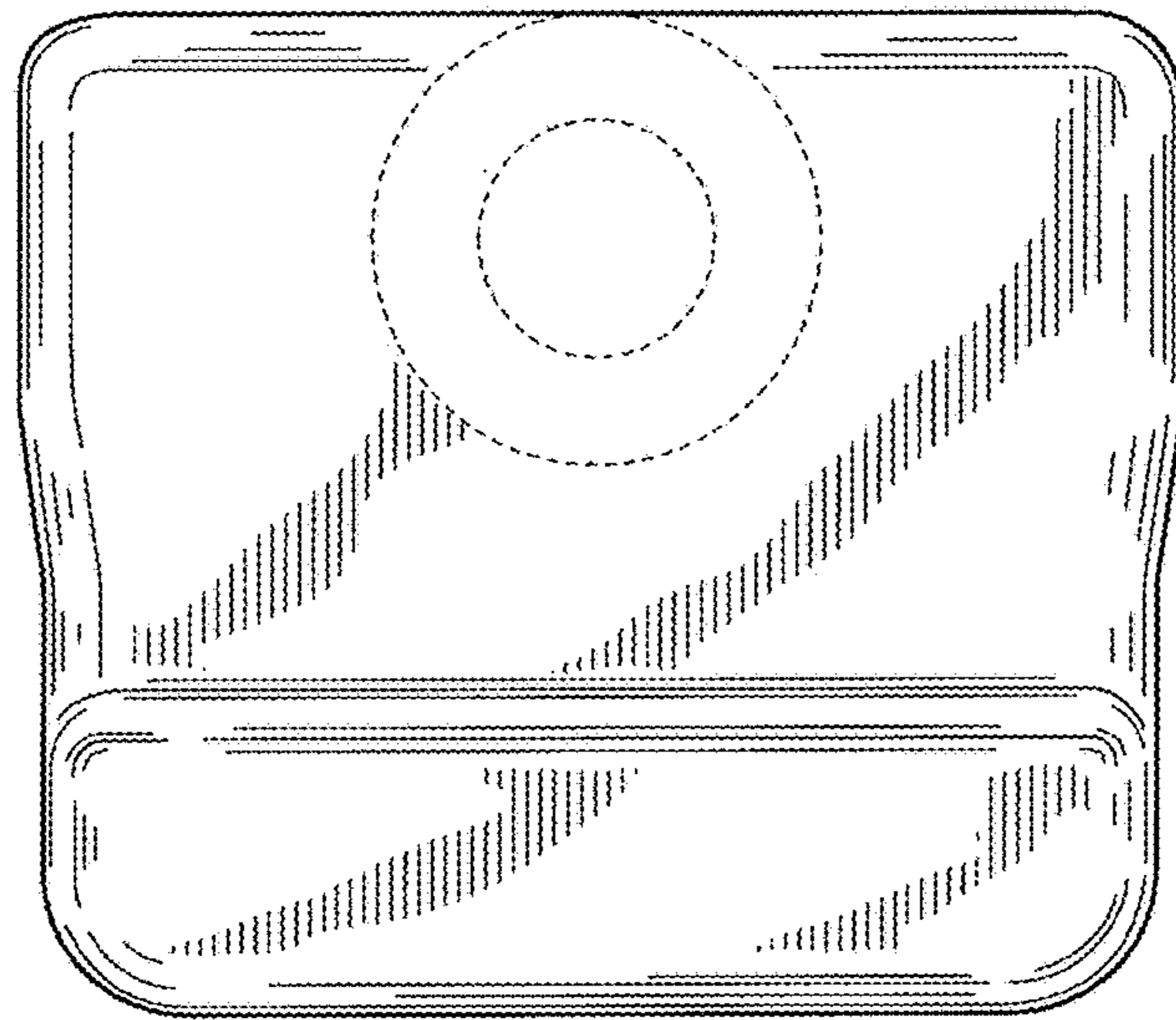


FIG. 19

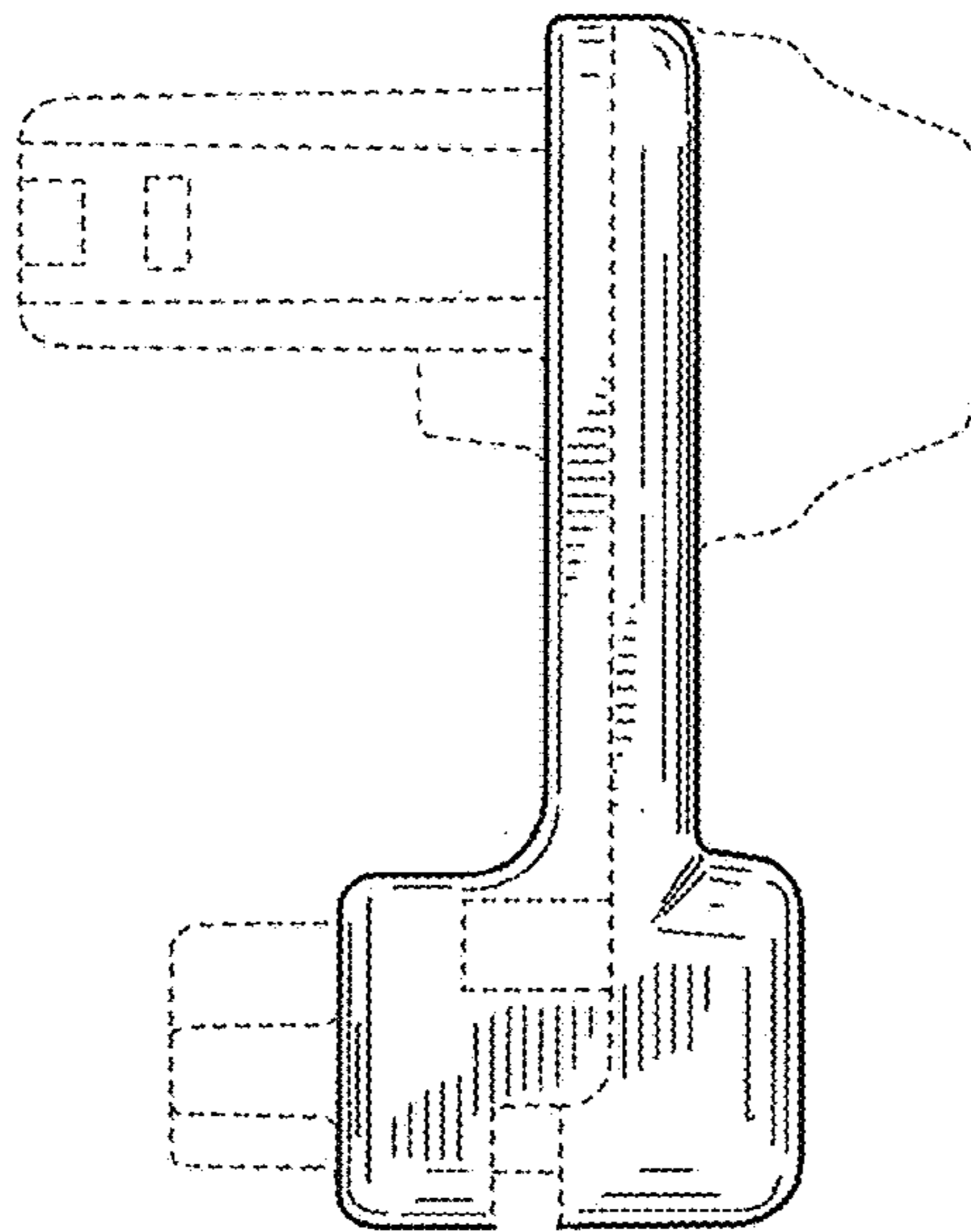


FIG. 20

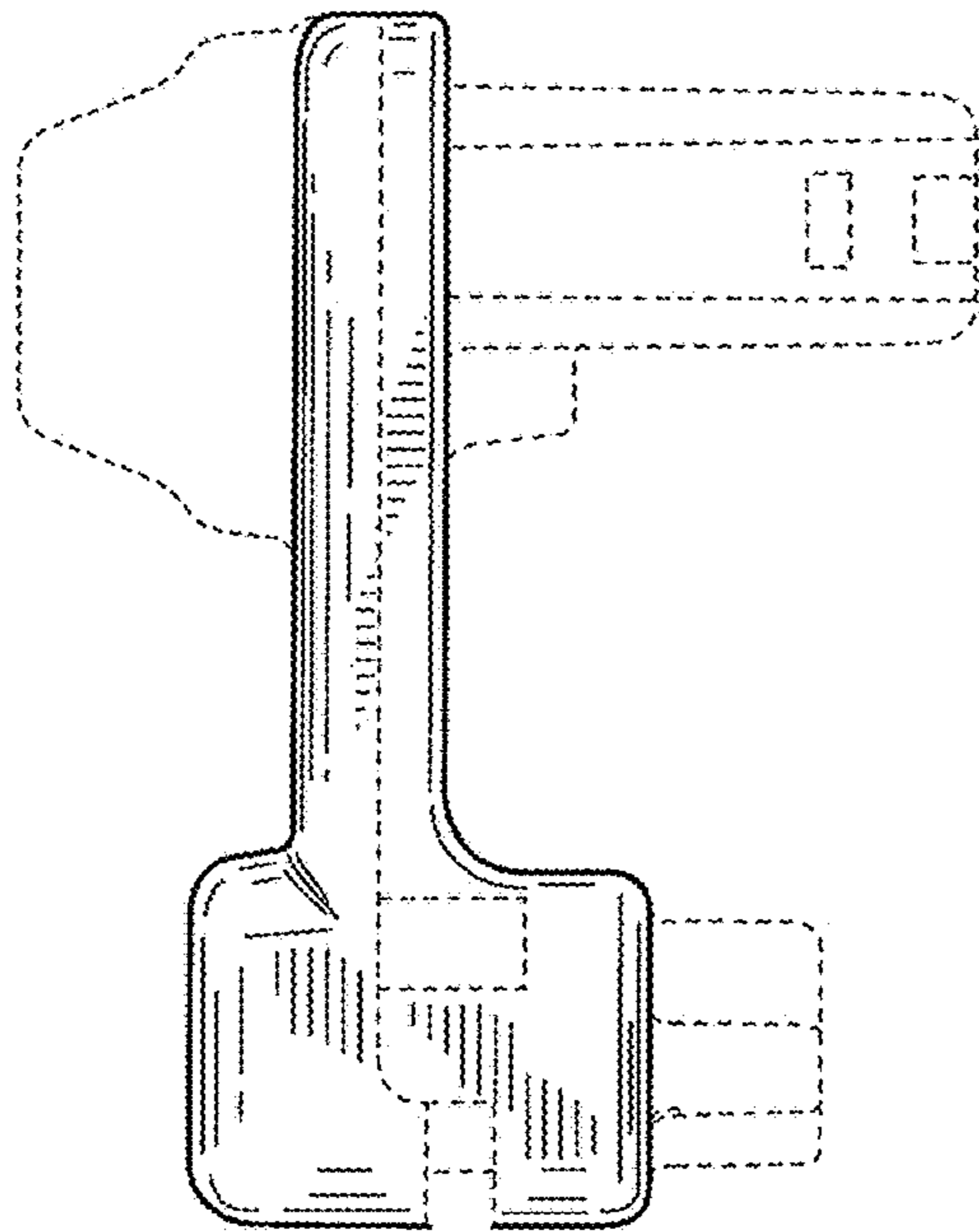


FIG. 21

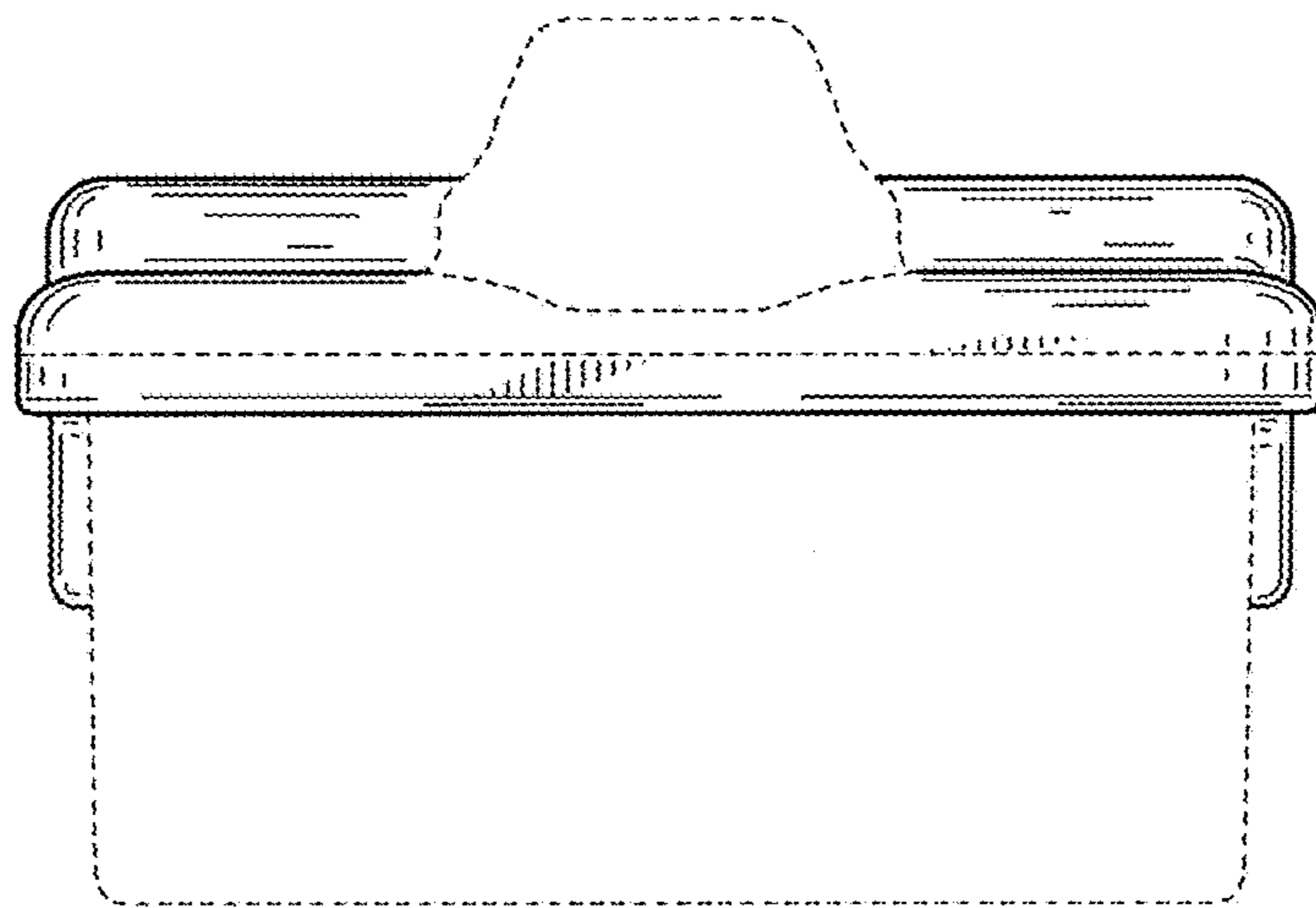


FIG. 22

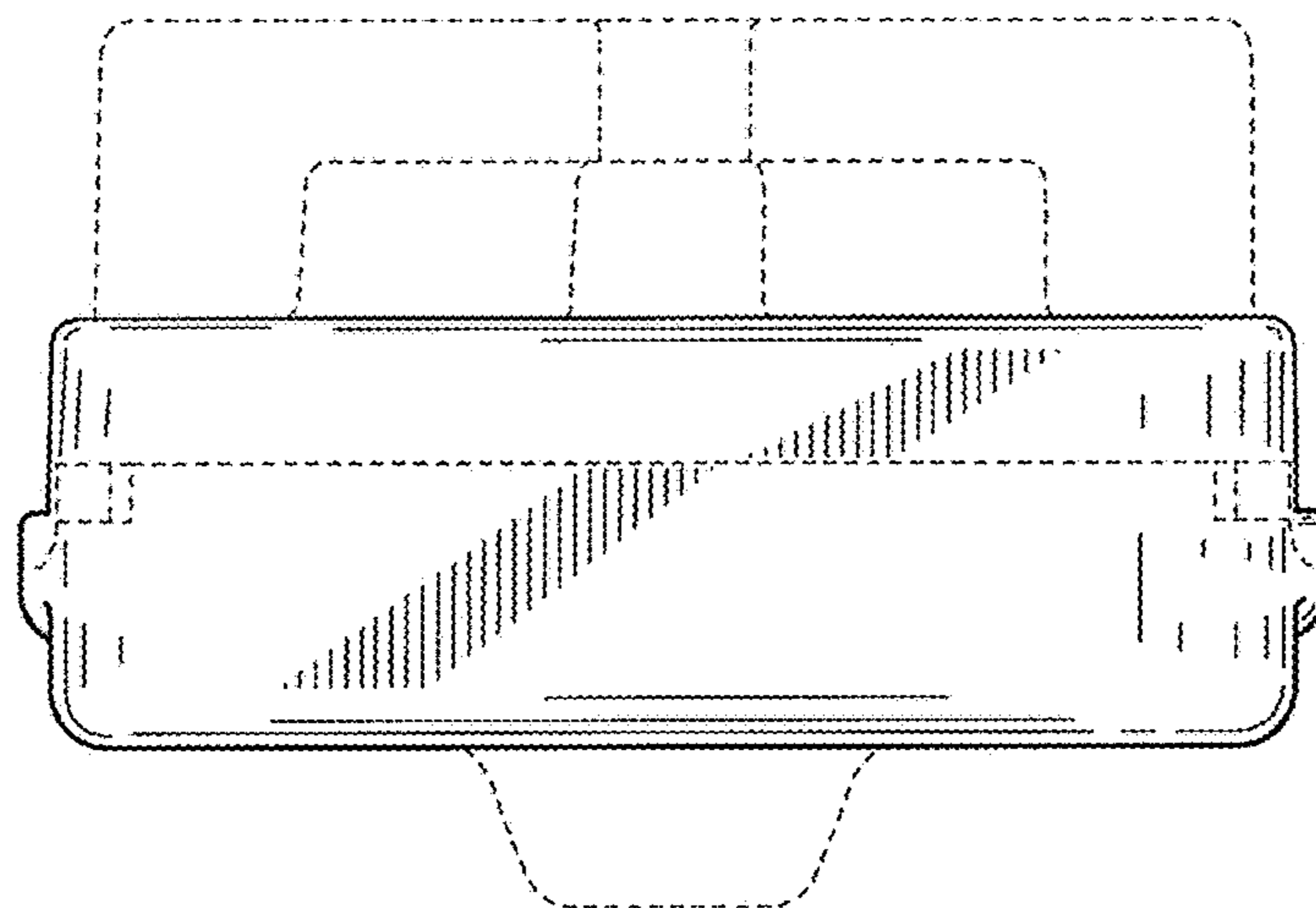


FIG. 23