

US00D816460S

(12) **United States Design Patent**
Branning

(10) **Patent No.:** **US D816,460 S**

(45) **Date of Patent:** **** May 1, 2018**

(54) **DOOR HINGE**

(71) Applicant: **Merle L Branning**, Yorkville, IL (US)

(72) Inventor: **Merle L Branning**, Yorkville, IL (US)

(**) Term: **15 Years**

(21) Appl. No.: **29/571,697**

(22) Filed: **Jul. 20, 2016**

(51) **LOC (11) Cl.** **08-06**

(52) **U.S. Cl.**

USPC **D8/328**

(58) **Field of Classification Search**

USPC D8/323, 325, 336, 327, 328; 248/301,
248/302; 24/132 R; D6/325; D12/223

CPC F16M 13/02; F16B 23/00; E05D 11/1014

See application file for complete search history.

(56) **References Cited**

U.S. PATENT DOCUMENTS

179,409	A	7/1876	Hopkins	
1,027,716	A	5/1912	Fletcher	
1,433,095	A *	10/1922	Peary	E05D 11/02 16/274
2,024,985	A	12/1935	Brantingson	
3,991,436	A *	11/1976	Nagase	E05D 3/02 16/273
4,720,198	A *	1/1988	DeBruyn	E05D 3/10 16/273
D303,753	S *	10/1989	Friedman	D8/328
D304,802	S *	11/1989	Yi	D8/328
7,290,310	B2 *	11/2007	Yamaguchi	E05D 5/10 16/234

D607,709	S *	1/2010	Mizon	D8/328
D629,025	S *	12/2010	Greenleaf	D15/128
D649,006	S *	11/2011	Johnson	D8/323
8,701,247	B1 *	4/2014	Shargh	E05D 11/02 16/274
8,707,518	B2	4/2014	Branning	
D714,614	S *	10/2014	Sarnowski	D8/323
D715,127	S *	10/2014	Shargh	D8/323
D716,644	S *	11/2014	Daniels	D8/391
D726,525	S *	4/2015	Kenerly	D8/328
D742,187	S *	11/2015	Thompson	D8/1
D777,554	S *	1/2017	Elbaz	D8/323
2013/0104341	A1	5/2013	Kennerly et al.	

* cited by examiner

Primary Examiner — Cynthia Underwood

(74) *Attorney, Agent, or Firm* — Michael B. Martin

(57) **CLAIM**

The ornamental design for a door hinge, as shown.

DESCRIPTION

FIG. 1 is a perspective view of the door hinge of the invention showing my new design.

FIG. 2 is a front view thereof.

FIG. 3 is a back view thereof.

FIG. 4 is a side view thereof.

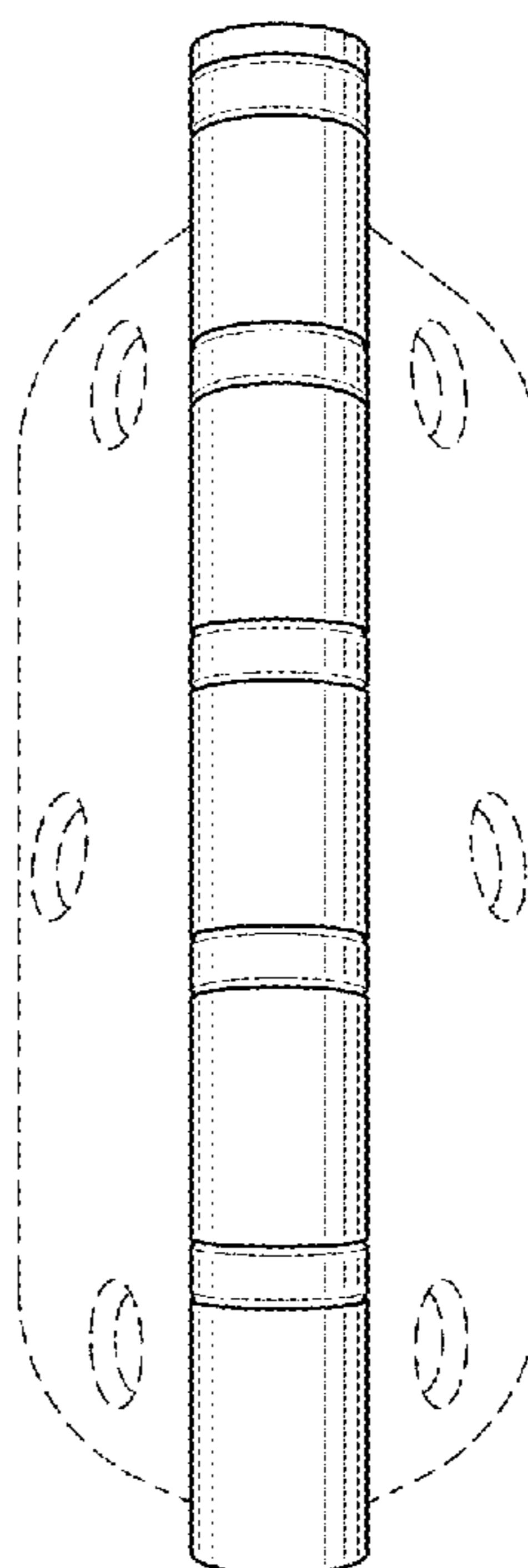
FIG. 5 is the opposite side view thereof.

FIG. 6 is a top view thereof; and,

FIG. 7 is a bottom view thereof.

The broken lines represent environment that forms no part of the claim.

1 Claim, 7 Drawing Sheets



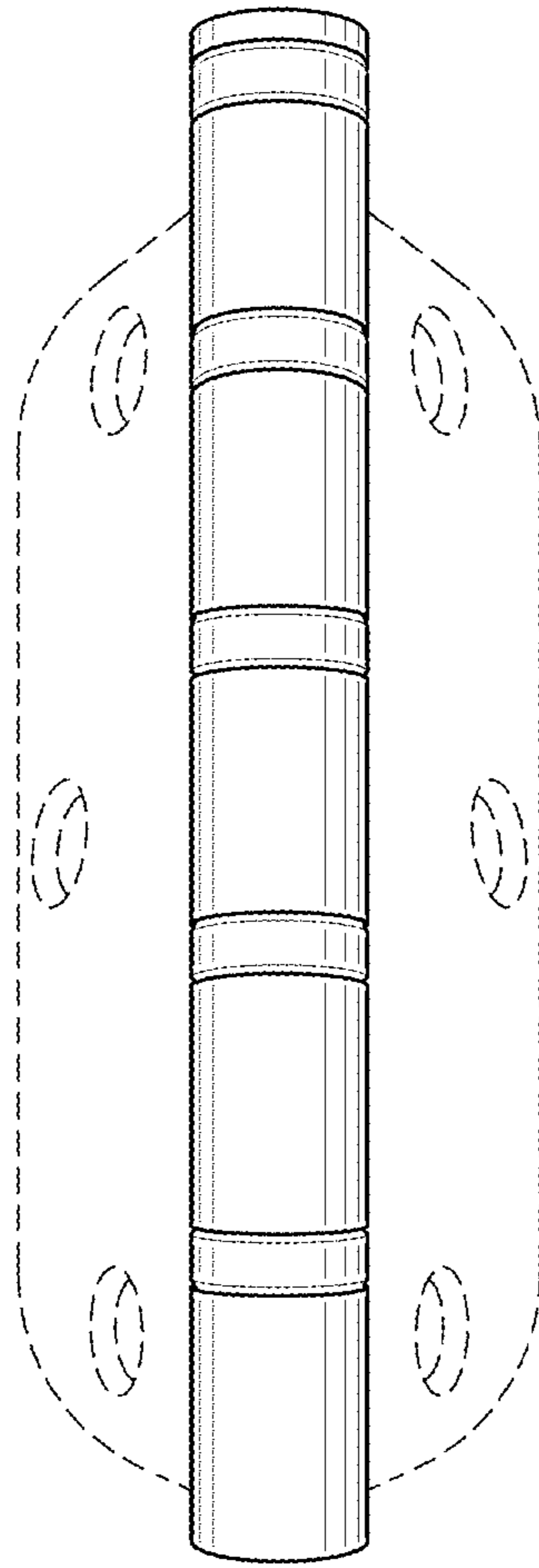


FIG. 1

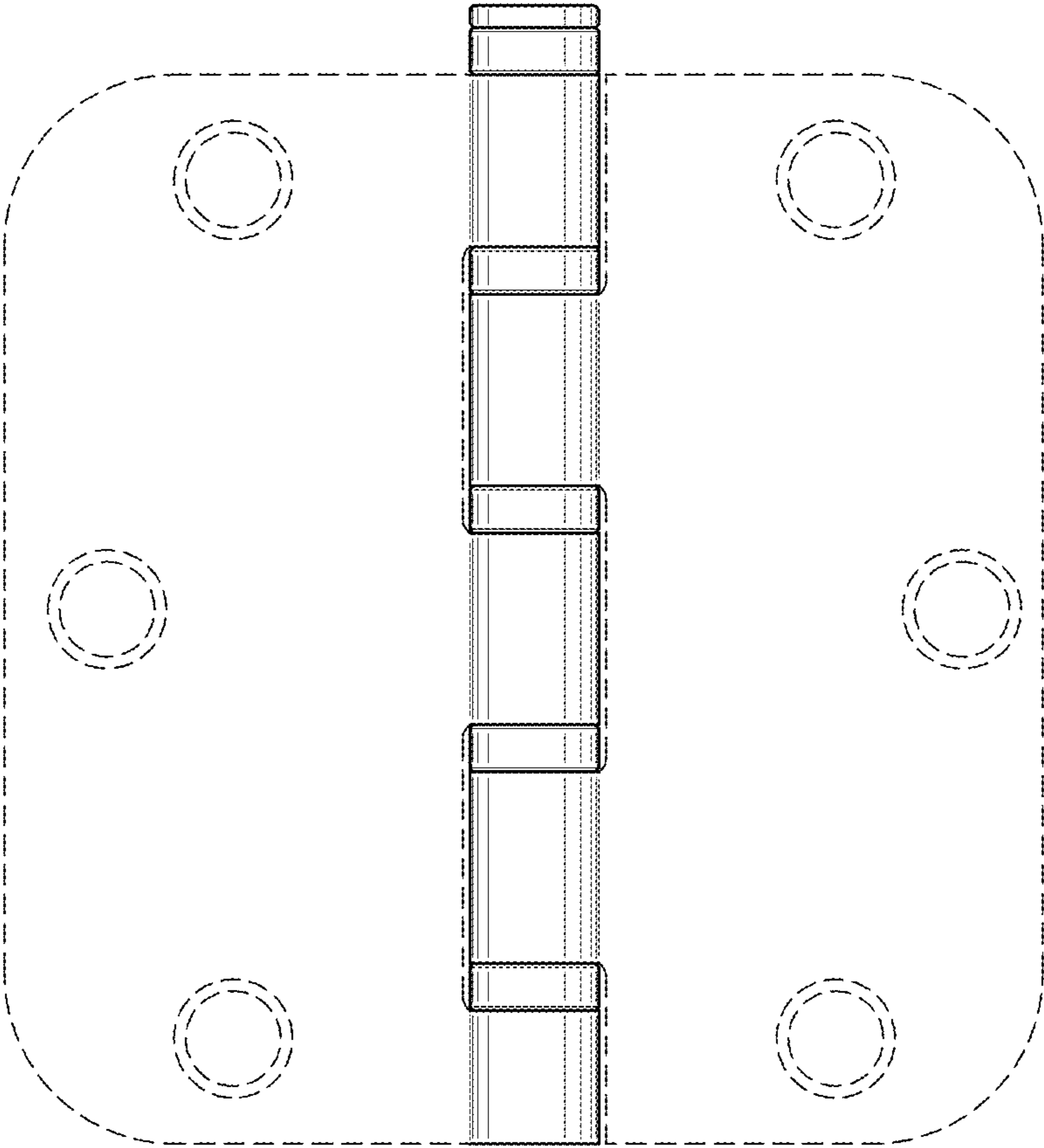


FIG. 2

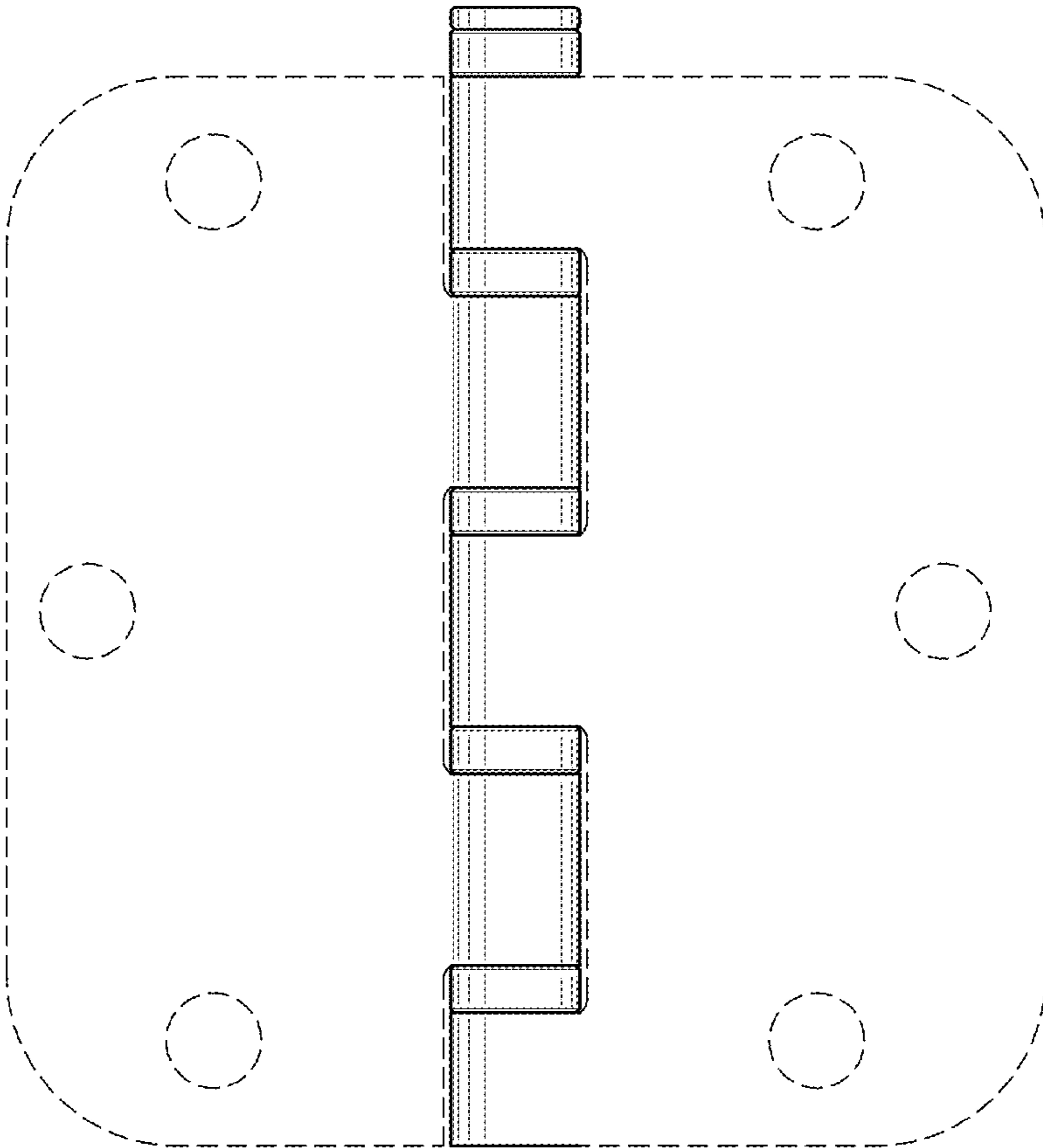


FIG. 3

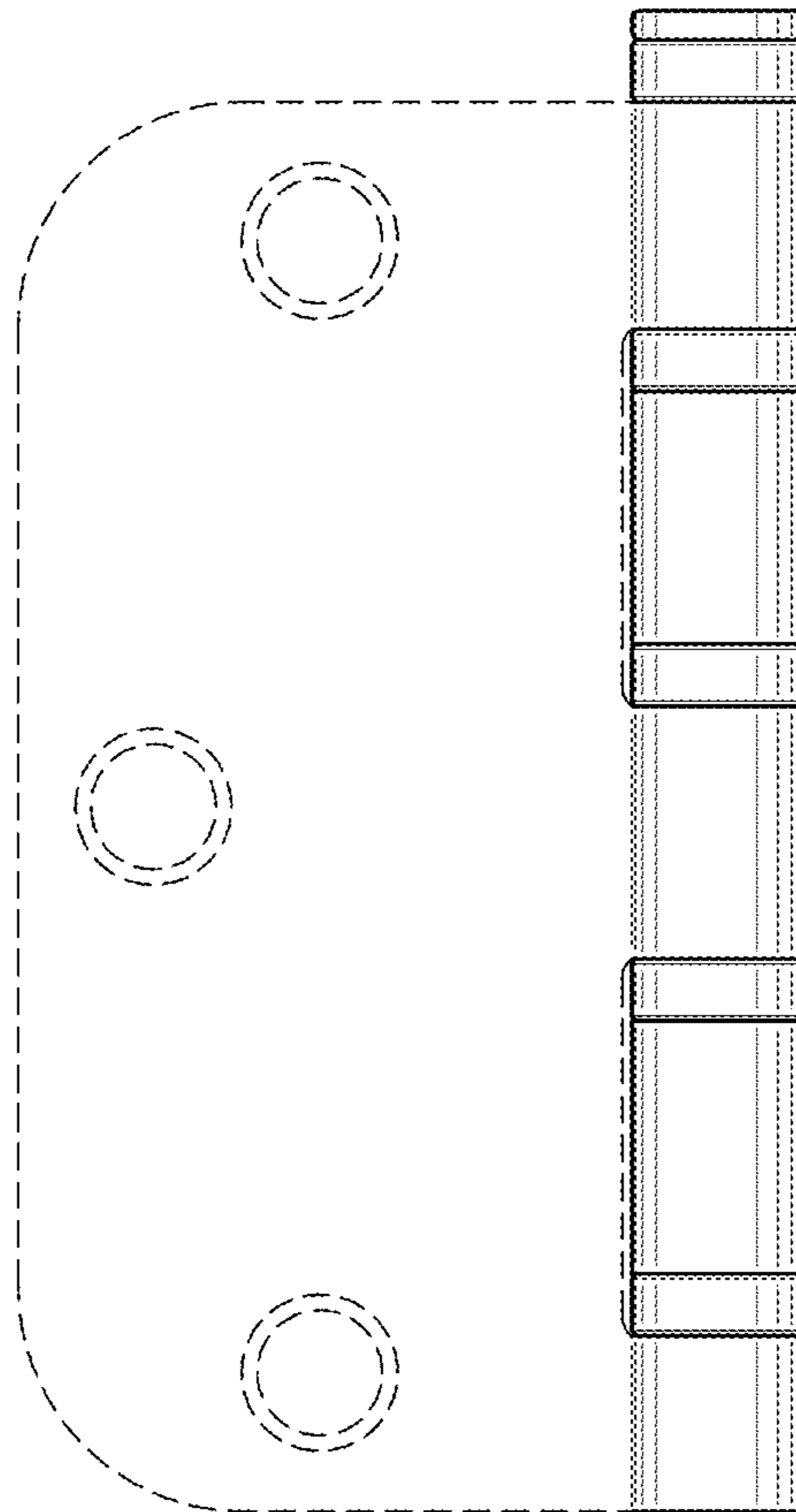


FIG. 4

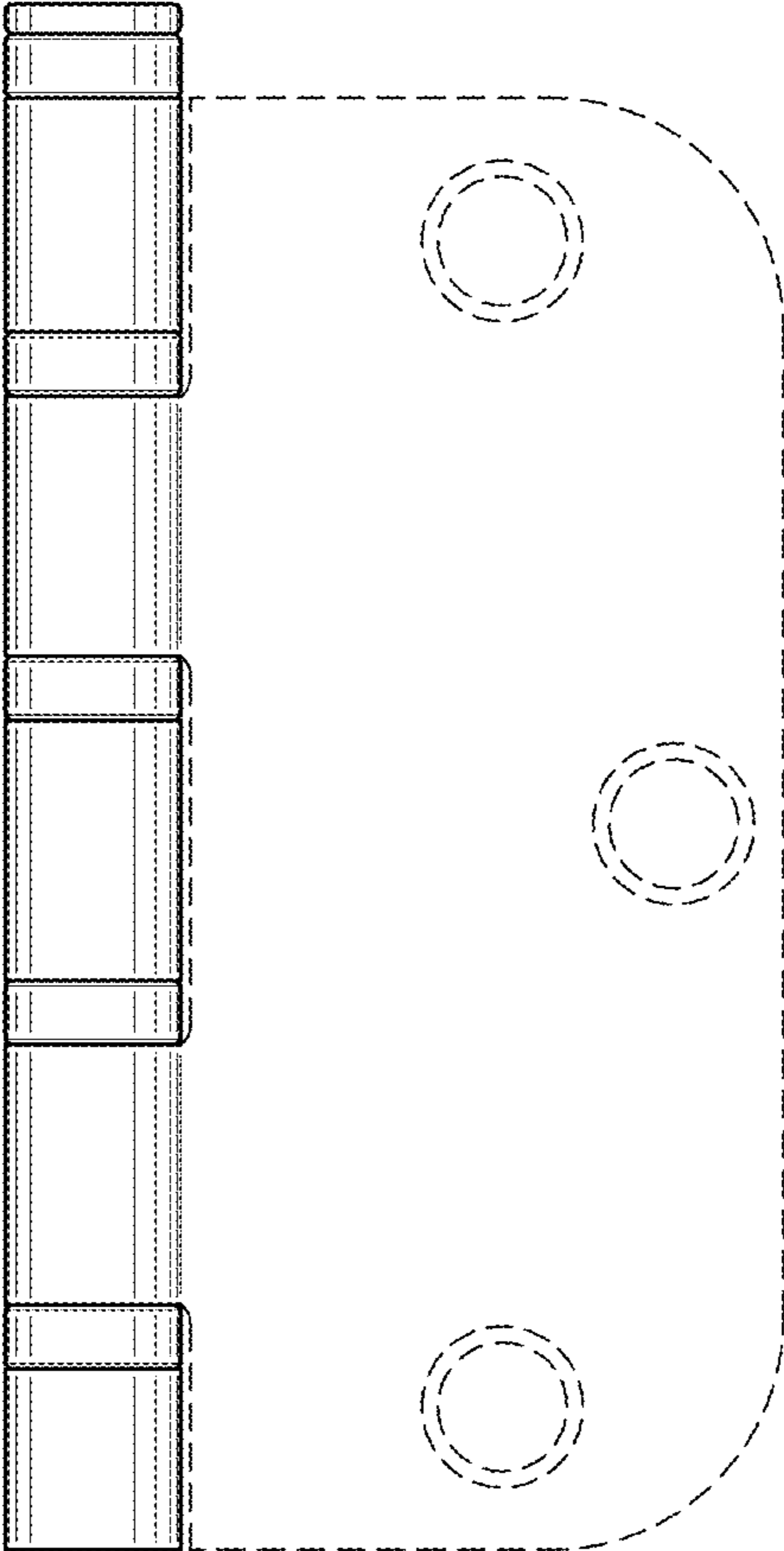


FIG. 5

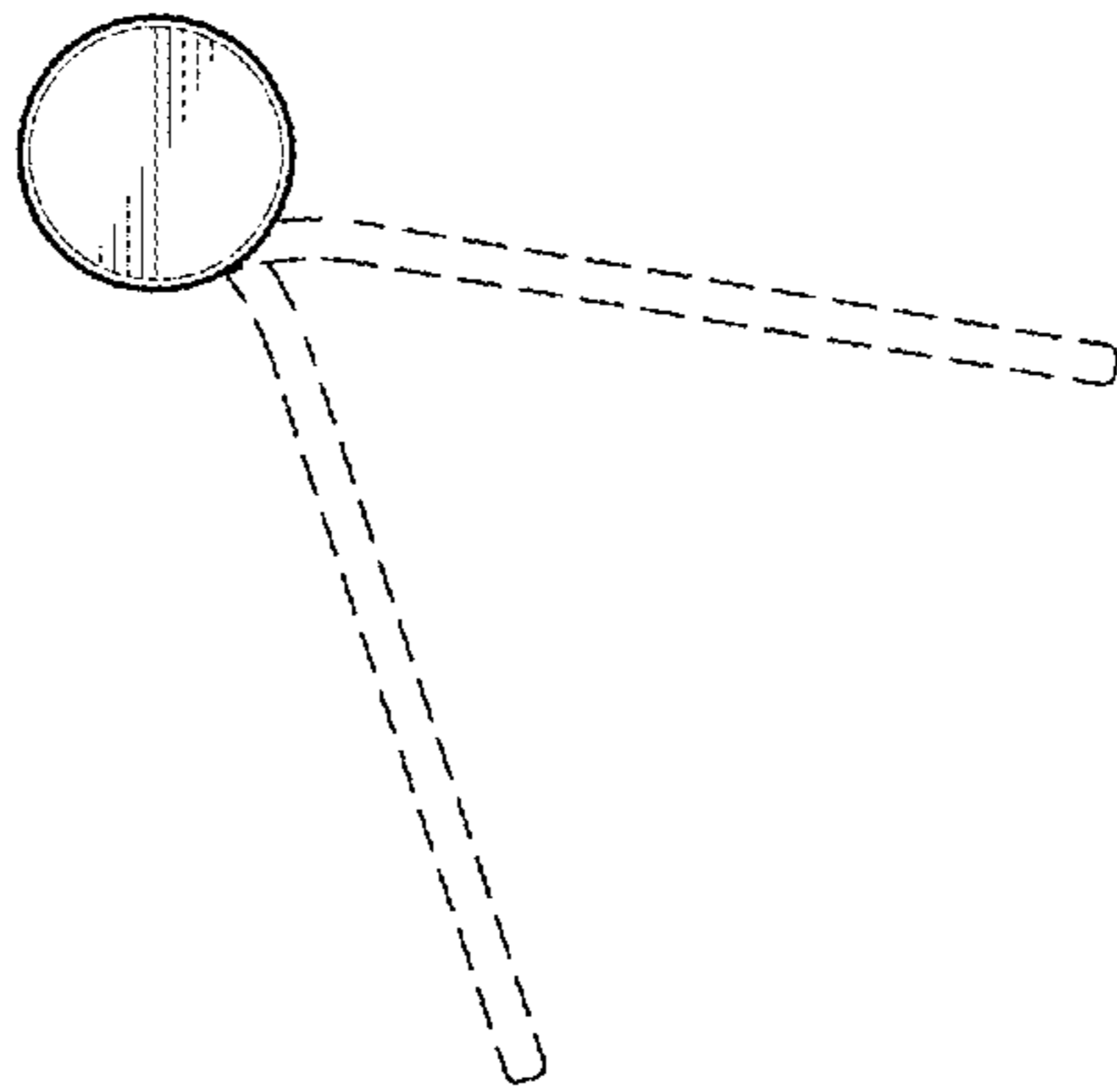


FIG. 6

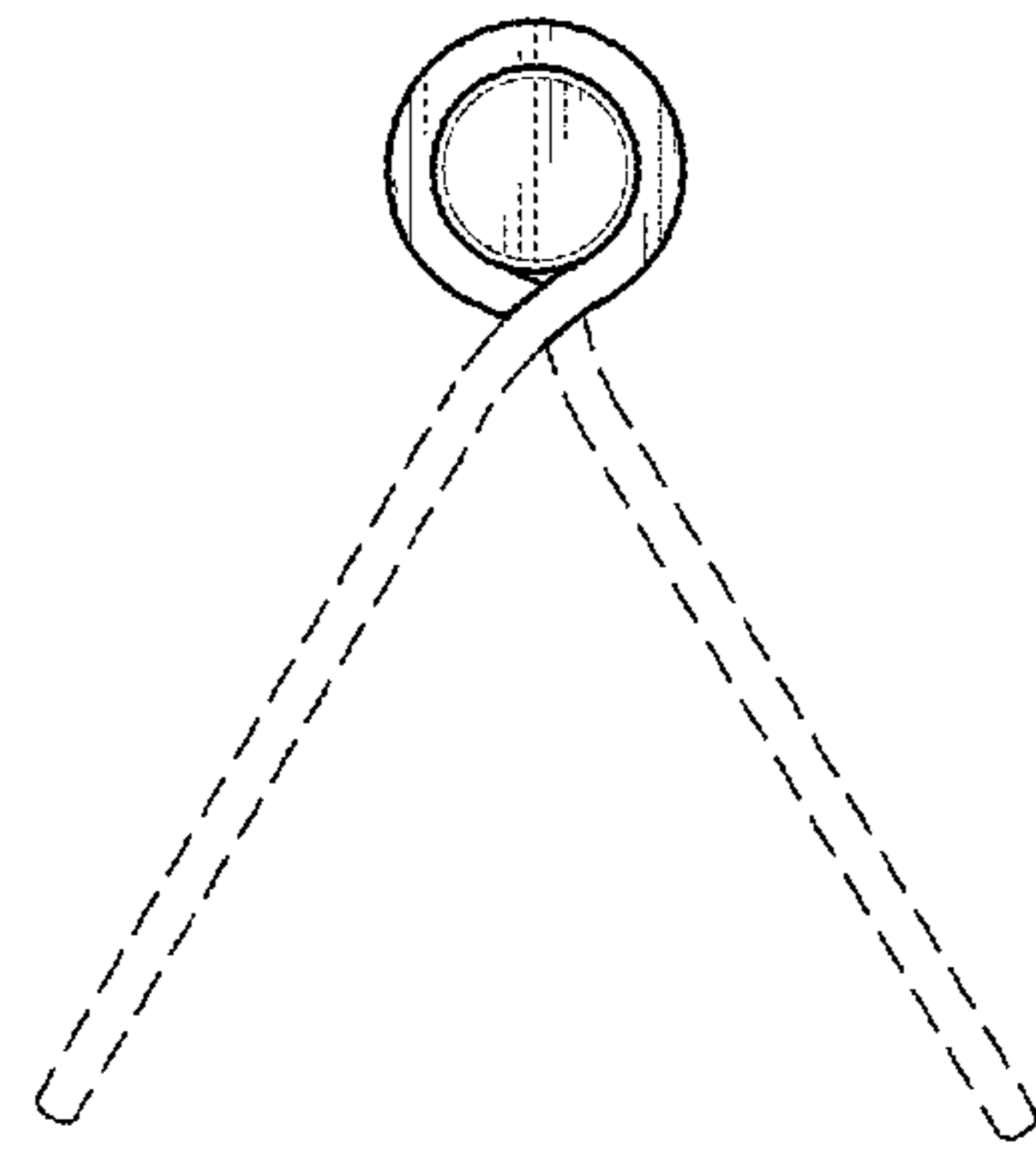


FIG. 7