



US00D816455S

(12) **United States Design Patent** (10) **Patent No.:** **US D816,455 S**  
**Fire** (45) **Date of Patent:** **\*\* May 1, 2018**

(54) **SHARPENER**

D744,803 S \* 12/2015 Johnson ..... D8/93  
D744,804 S \* 12/2015 Johnson ..... D8/93  
D746,656 S \* 1/2016 Smith ..... D27/141

(71) Applicant: **Arthur Lansky Levine & Associates, Inc.**, Tonawanda, NY (US)

(Continued)

(72) Inventor: **Christopher P. Fire**, North Tonawanda, NY (US)

**OTHER PUBLICATIONS**

Lansky Quadsharp. Snagged Oct. 2, 2017 from <http://tacticalgear.com/lansky-quadsharp-blue?hp=y&ob=. . .>\*

(73) Assignee: **Arthur Lansky Levine & Associates, Inc.**, Tonawanda, NY (US)

(Continued)

(\*\*) Term: **15 Years**

*Primary Examiner* — Phillip S Hyder

(74) *Attorney, Agent, or Firm* — Simpson & Simpson, PLLC

(21) Appl. No.: **29/571,887**

(57) **CLAIM**

(22) Filed: **Jul. 22, 2016**

The ornamental design for a sharpener, as shown and described.

(51) **LOC (11) Cl.** ..... **08-05**

**DESCRIPTION**

(52) **U.S. Cl.**

USPC ..... **D8/91**

(58) **Field of Classification Search**

USPC ..... D8/14, 90–94, 98, 99, 105, 107

CPC ..... B24B 3/54; B24B 3/546; B24D 15/065;

B24D 15/08; B24D 15/081; B24D 15/082

See application file for complete search history.

FIG. 1 is a top perspective view of the sharpener of the present invention;  
FIG. 2 is a front elevational view of the invention shown in FIG. 1;  
FIG. 3 is a rear elevational view of the invention shown in FIG. 1;  
FIG. 4 is a left side elevational view of the invention shown in FIG. 1;  
FIG. 5 is a right side elevational view of the invention shown in FIG. 1;  
FIG. 6 is a top plan view of the invention shown in FIG. 1; and;  
FIG. 7 is a bottom plan view of the invention shown in FIG. 1.

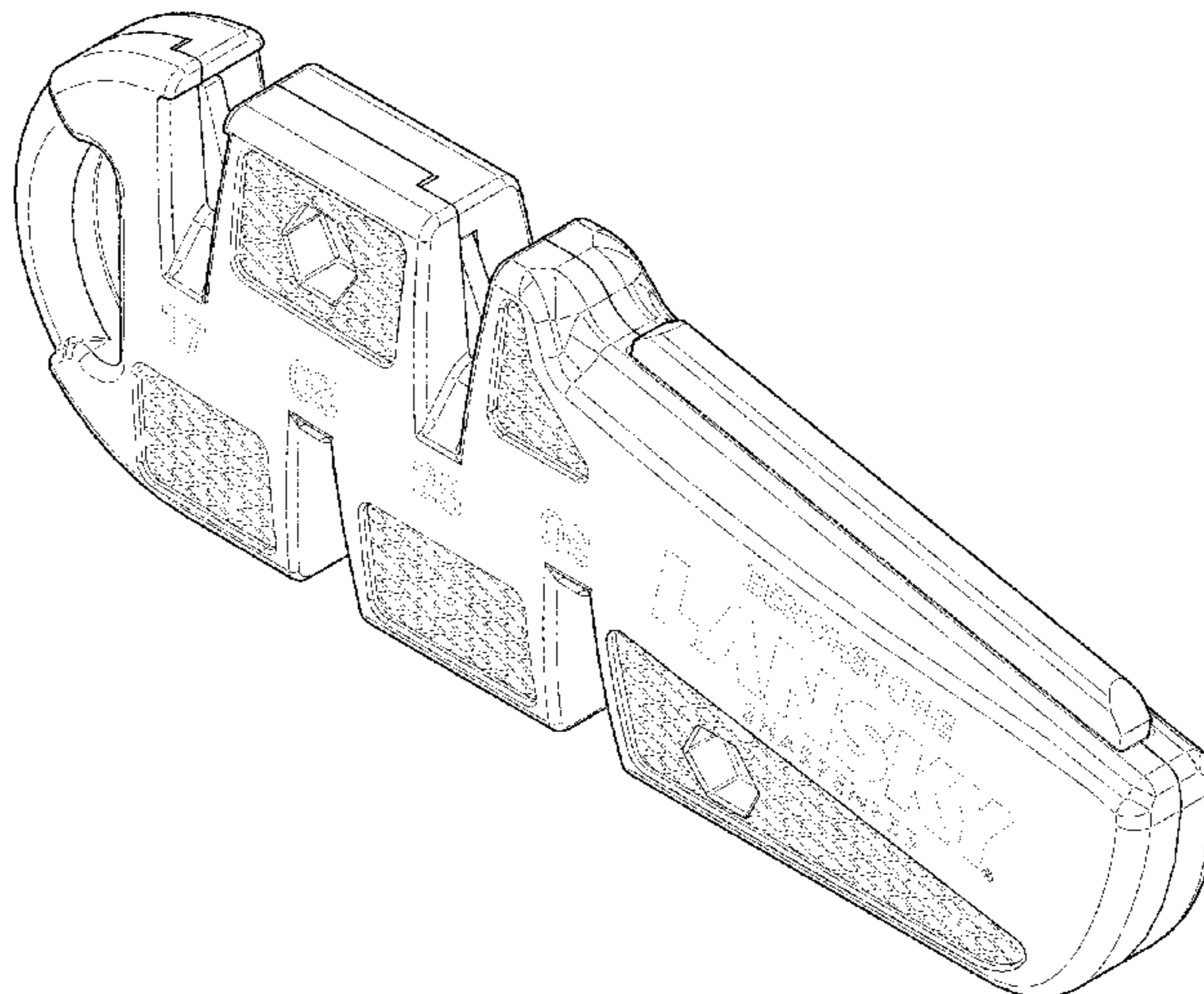
(56) **References Cited**

**U.S. PATENT DOCUMENTS**

|           |    |   |         |                |       |         |
|-----------|----|---|---------|----------------|-------|---------|
| D241,504  | S  | * | 9/1976  | Krusche et al. | ..... | D8/91   |
| D375,241  | S  |   | 11/1996 | Pigott         |       |         |
| D375,442  | S  | * | 11/1996 | Hughes         | ..... | D8/16   |
| 6,039,642 | A  |   | 3/2000  | Collins        |       |         |
| 6,101,898 | A  |   | 8/2000  | Gore et al.    |       |         |
| D512,624  | S  | * | 12/2005 | Taylor         | ..... | D8/99   |
| D578,581  | S  | * | 10/2008 | Smith          | ..... | D21/667 |
| D655,145  | S  | * | 3/2012  | Smith          | ..... | D8/91   |
| 8,221,199 | B2 |   | 7/2012  | Smith          |       |         |
| 8,512,105 | B2 |   | 8/2013  | Smith          |       |         |
| D723,898  | S  | * | 3/2015  | Smith          | ..... | D8/105  |
| D730,133  | S  | * | 5/2015  | Sun            | ..... | D8/35   |
| D731,278  | S  | * | 6/2015  | Cavanaugh      | ..... | D8/105  |
| D735,553  | S  | * | 8/2015  | Demers         | ..... | D8/107  |

The broken line showing of indicia shown in FIGS. 1, 4 and 5 is for the purpose of illustrating various markings and forms no part of the claimed design. Similarly, the broken line showing of knurled gripping regions shown in FIGS. 1, 4, 5, 6 and 7 is for the purpose of illustrating a representation of knurled gripping regions and forms no part of the claimed design.

**1 Claim, 5 Drawing Sheets**



(56)

**References Cited**

U.S. PATENT DOCUMENTS

D754,514 S \* 4/2016 Huber ..... D8/93  
D761,631 S \* 7/2016 Jacobson ..... D8/105  
D772,674 S \* 11/2016 Johnson ..... D8/91  
D773,274 S \* 12/2016 Berman ..... D8/105  
D788,564 S \* 6/2017 Demers ..... D8/107  
2014/0127984 A1\* 5/2014 Smith ..... B25F 1/00  
451/461  
2015/0283678 A1 10/2015 Hangen et al.

OTHER PUBLICATIONS

Smith's Pro Series Pocket Pal Sharpener and Survival Tool flyer,  
dated Nov. 26, 2012.

Smith's Edgesport Pocket Pal Knife Sharpener flyer, dated Jun. 5,  
2012.

\* cited by examiner

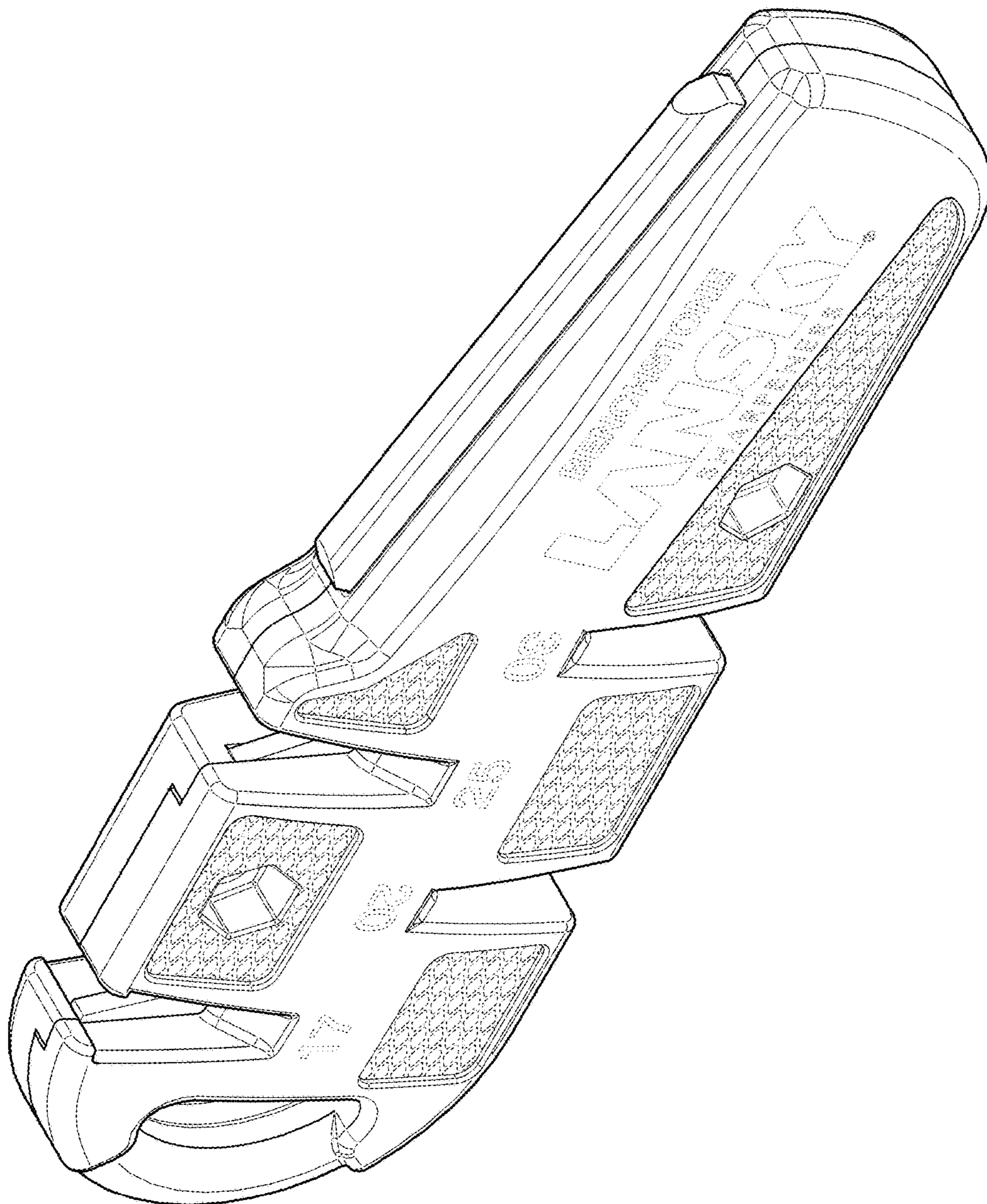


Fig. 1

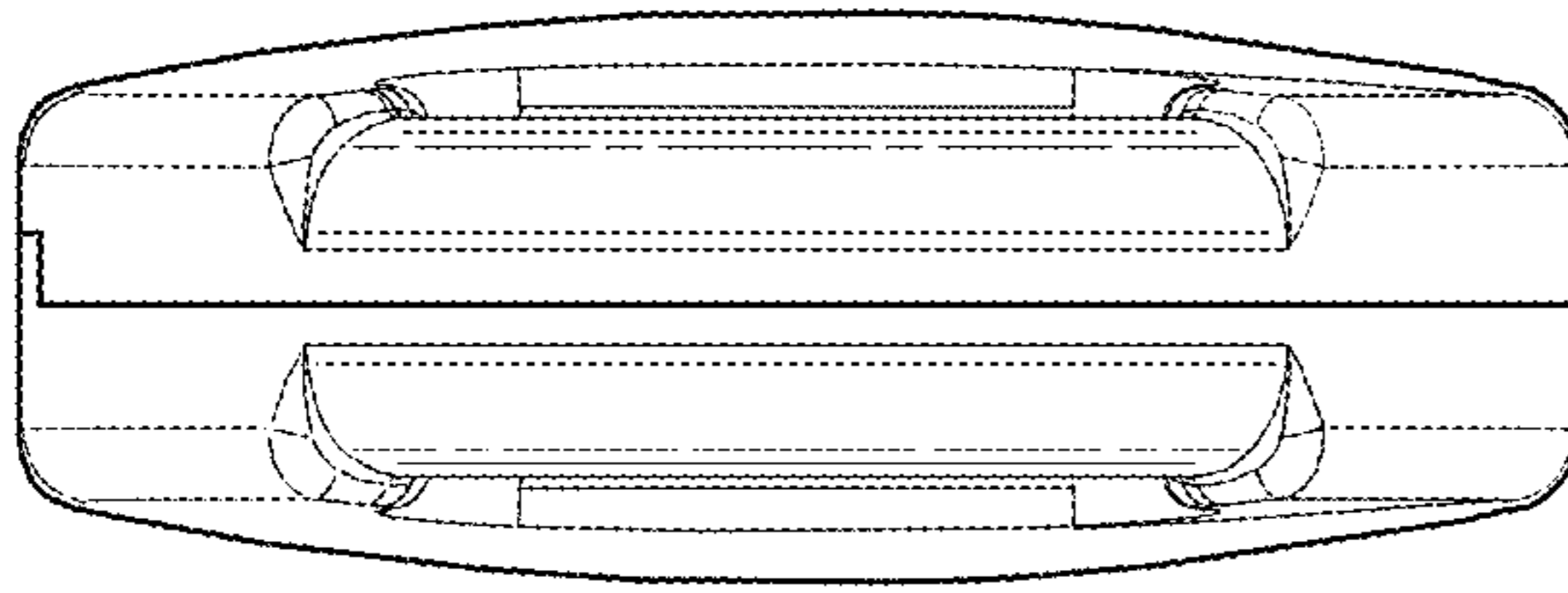


Fig. 3

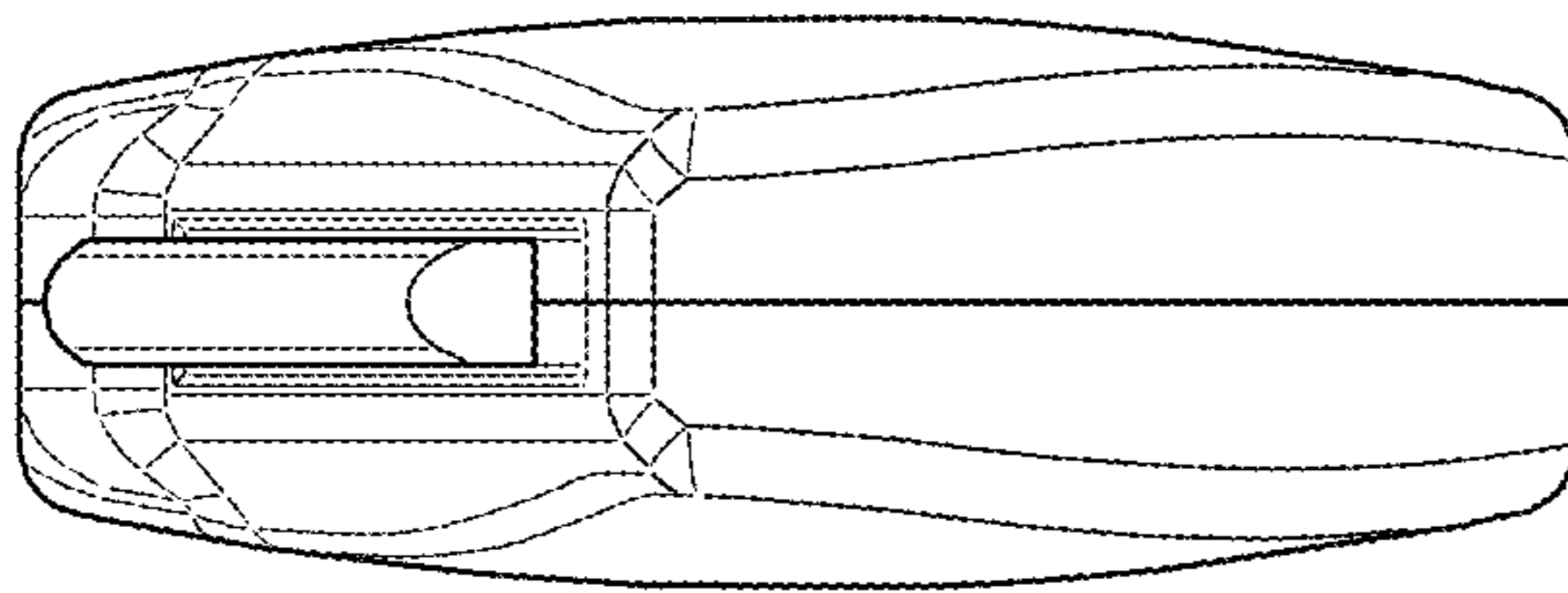


Fig. 2

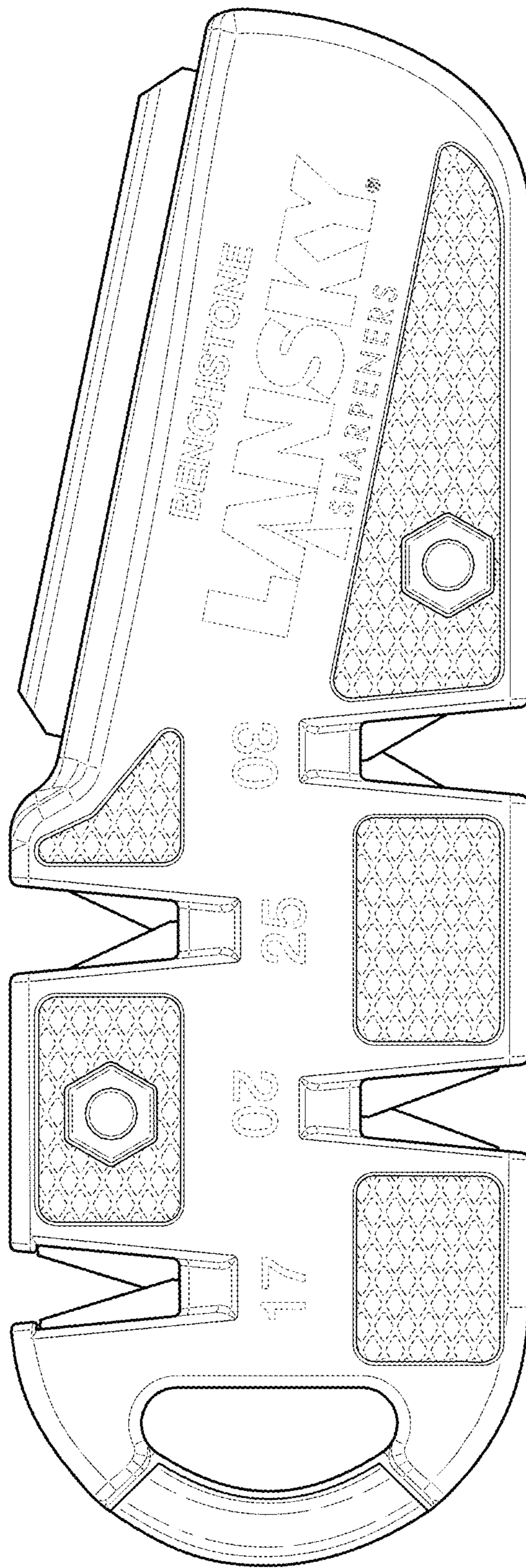


Fig. 4

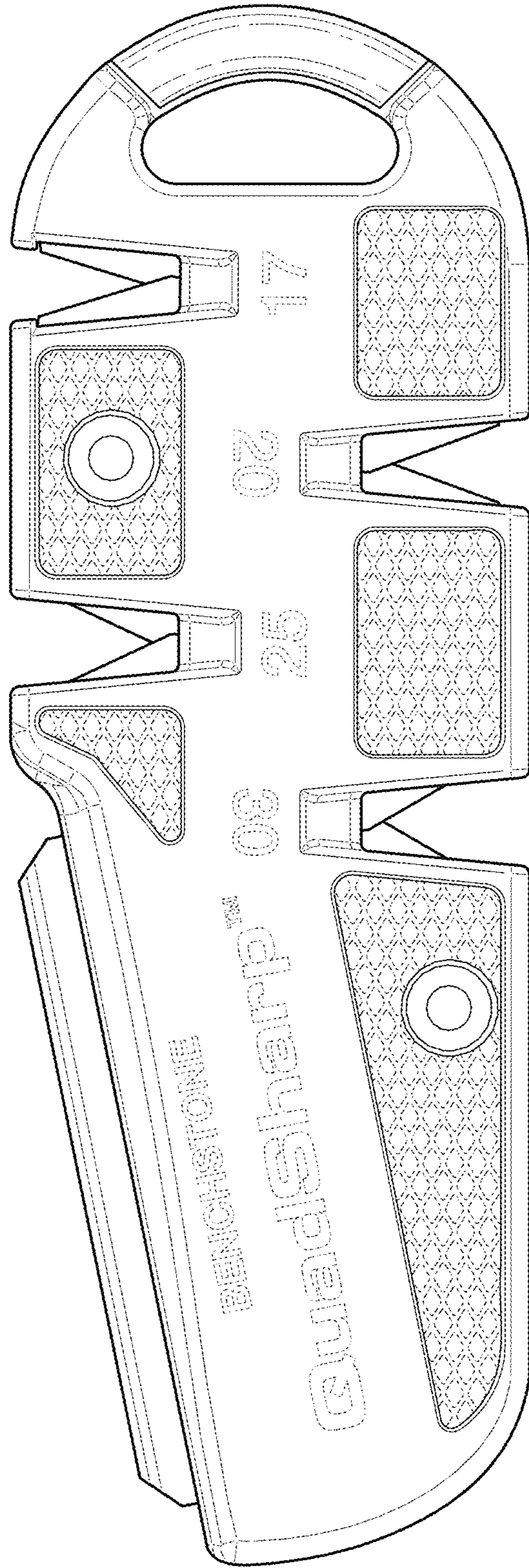


Fig. 5

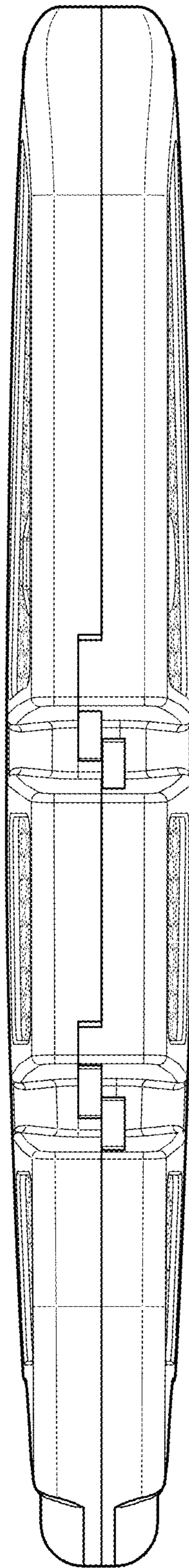


Fig. 7