



US00D816453S

(12) **United States Design Patent** (10) **Patent No.:** **US D816,453 S**
Hansen et al. (45) **Date of Patent:** **** May 1, 2018**

(54) **CIRCULAR SAW DUST SHROUD**
(71) Applicant: **Dustless Depot, LLC**, Price, UT (US)
(72) Inventors: **Kendall Hansen**, Price, UT (US); **Kyle Alan Bjork**, Buffalo, MN (US)
(73) Assignee: **DUSTLESS DEPOT, LLC**, Price, UT (US)
(**) Term: **15 Years**

2,294,272 A 8/1942 Boice
2,312,443 A 3/1943 Reiter
2,384,688 A 9/1945 Morris
2,440,684 A 5/1948 Huelster
2,440,685 A 5/1948 Huelster
2,503,854 A 4/1950 Trainor
2,520,725 A 8/1950 Judd
2,676,624 A 4/1954 Gecman
2,803,098 A 8/1957 Robert et al.
2,817,134 A 12/1957 Fenton
2,819,570 A 1/1958 Guilbert et al.
2,819,571 A 1/1958 Morgan

(Continued)

(21) Appl. No.: **29/577,782**

FOREIGN PATENT DOCUMENTS

(22) Filed: **Sep. 15, 2016**
(51) **LOC (11) Cl.** **08-05**
(52) **U.S. Cl.**
USPC **D8/70**
(58) **Field of Classification Search**
USPC D8/61-71, 90, 363; D15/124-126, 133,
D15/138-140; D32/21, 18, 31
CPC ... B23Q 11/00; B23Q 11/0046; B23B 45/003;
B25D 17/22
See application file for complete search history.

EP 556713 8/1993
EP 0 579 964 1/1994

(Continued)

Primary Examiner — Darlington Ly

(74) *Attorney, Agent, or Firm* — Pate Peterson PLLC;
Brett Peterson

(57) **CLAIM**

The ornamental design for a circular saw dust shroud, as shown and described.

(56) **References Cited**

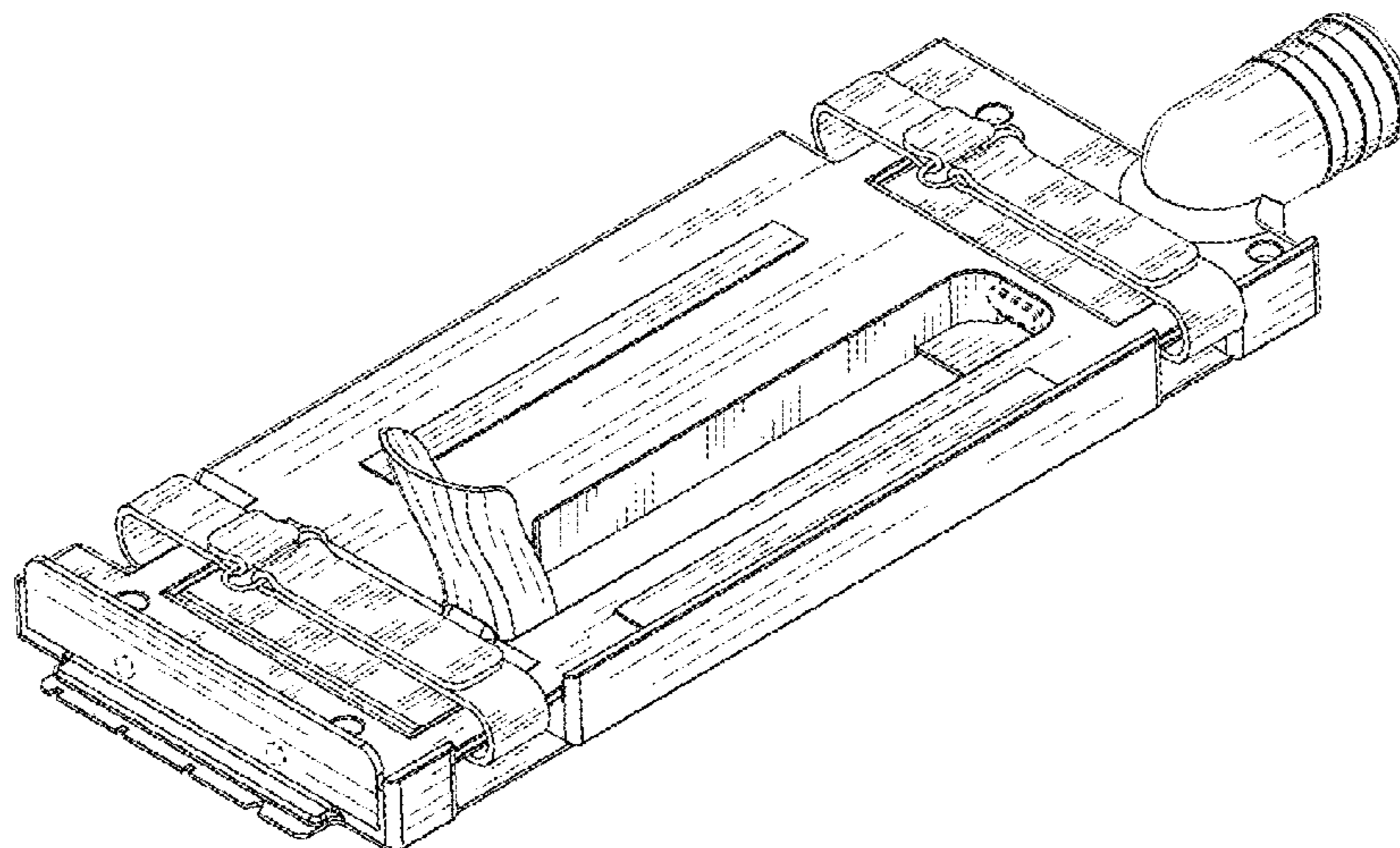
U.S. PATENT DOCUMENTS

437,004 A 9/1890 Shipley
907,734 A 12/1908 Butterfield
1,123,562 A 1/1915 Lund
1,197,967 A 9/1916 Swenson
1,302,263 A 4/1919 Woodworth
RE15,262 E 1/1922 Gurgel
1,432,660 A 10/1922 Borque
1,643,882 A 9/1927 Faiver
1,779,031 A 10/1930 Casey
1,850,504 A 3/1932 Janes
2,032,382 A 3/1936 Torrison
2,041,689 A 5/1936 Baumeister
2,212,361 A 8/1940 Arthur
2,279,186 A 4/1942 Terry et al.
2,291,269 A 7/1942 Wiggleworth

DESCRIPTION

FIG. 1 is a top, front, and right side perspective view of a circular saw dust shroud showing our new design; FIG. 2 is a top plan view thereof; FIG. 3 is a bottom plan view thereof; FIG. 4 is a left side elevation view thereof; FIG. 5 is a right side elevation view thereof; FIG. 6 is a front elevation view thereof; and, FIG. 7 is a rear elevation view thereof. The broken lines in the drawings illustrate portions of the circular saw dust shroud that form no part of the claimed design.

1 Claim, 7 Drawing Sheets



(56)

References Cited

U.S. PATENT DOCUMENTS

2,994,995 A	8/1961	Griffith	5,575,035 A	11/1996	Reis et al.	
3,166,877 A	1/1965	Reames	D376,526 S *	12/1996	Hepburn	D8/70
3,256,648 A	6/1966	Subonovich	5,582,225 A	12/1996	Schank	
3,468,076 A	9/1969	Jones	5,588,213 A	12/1996	Swanberg	
3,667,170 A	6/1972	MacKay	5,609,516 A	3/1997	Courson et al.	
3,673,744 A	7/1972	Oimoen	5,653,561 A	8/1997	May	
3,826,045 A	7/1974	Champayne	5,662,440 A	9/1997	Kikuchi	
3,835,543 A	9/1974	Polydoris et al.	5,675,895 A	10/1997	Mori et al.	
3,848,686 A	11/1974	Jysky et al.	5,680,704 A	10/1997	Okubo	
3,862,521 A	1/1975	Isaksson	5,688,082 A	11/1997	Richardson	
3,882,598 A	5/1975	Earle et al.	5,704,956 A	1/1998	Loveless et al.	
3,882,644 A	5/1975	Cusumano	5,713,785 A	2/1998	Nishio	
3,945,281 A	3/1976	Kreitz	D392,531 S	3/1998	Richardson	
3,987,589 A	10/1976	Marton	5,774,992 A	7/1998	Lindenmuth	
4,011,792 A	3/1977	Davis	5,791,979 A	8/1998	Duncan et al.	
4,016,649 A	4/1977	Kloster	5,815,933 A	10/1998	Staniszewski	
4,033,035 A	7/1977	Trimmer	5,816,733 A	10/1998	Ishikawa et al.	
4,063,478 A	12/1977	Stuy	5,819,619 A	10/1998	Miller et al.	
4,090,297 A	5/1978	Wanner	5,931,072 A	8/1999	Shibata	
4,135,334 A	1/1979	Rudiger	5,954,863 A	9/1999	Loveless et al.	
4,160,319 A	7/1979	Caruso	6,019,433 A	2/2000	Allen	
4,201,256 A	5/1980	Truhan	6,027,399 A	2/2000	Stewart	
4,241,505 A	12/1980	Bodycomb, Jr. et al.	6,053,674 A	4/2000	Thompson	
4,253,362 A	3/1981	Olson	6,108,912 A	8/2000	Radigan	
4,296,572 A	10/1981	Quintana	6,112,736 A	9/2000	Bearden	
4,300,426 A	11/1981	Weaver	6,138,317 A	10/2000	Holmes et al.	
4,326,864 A	4/1982	Sittler	6,167,626 B1	1/2001	Doumani et al.	
4,367,665 A	1/1983	Terpstra et al.	6,183,527 B1	2/2001	O'Banion et al.	
4,381,628 A	5/1983	Dicke	6,219,922 B1	4/2001	Campbell et al.	
4,400,995 A	8/1983	Palm	6,230,411 B1	5/2001	Wall	
4,456,303 A	6/1984	Due	6,273,081 B1	8/2001	Gorgol et al.	
4,515,504 A	5/1985	Moore	6,318,352 B1	11/2001	Gnazzo et al.	
4,566,511 A	1/1986	Robinson	6,347,985 B1	2/2002	Loveless	
4,574,532 A	3/1986	Haberle et al.	6,349,712 B1	2/2002	Halstead	
4,576,072 A	3/1986	Terpstra et al.	D456,234 S	4/2002	Keller	
4,622,782 A	11/1986	Roestenber	D456,685 S	5/2002	Keller	
4,641,401 A	2/1987	Hasegawa	D458,825 S	6/2002	Keller et al.	
4,646,480 A	3/1987	Williams	6,412,179 B1	7/2002	Ende	
4,697,389 A	10/1987	Romine	6,470,778 B1	10/2002	Kaye, Jr. et al.	
4,761,877 A	8/1988	Rupp	6,471,574 B1	10/2002	Rupprecht et al.	
4,765,099 A	8/1988	Tanner	6,557,261 B1	5/2003	Buser et al.	
4,782,632 A	11/1988	Matechuk	6,568,088 B1	5/2003	Ende	
4,868,949 A	9/1989	Loveless et al.	6,648,742 B1	11/2003	Segiel	
4,891,915 A	1/1990	Yasuda	6,651,343 B2	11/2003	Laren et al.	
4,921,308 A	5/1990	Yelton et al.	6,678,960 B2	1/2004	Williams	
4,921,375 A	5/1990	Famulari	6,679,145 B1	1/2004	Lee	
4,932,163 A	6/1990	Chilton et al.	6,699,114 B1	3/2004	Booeshaghi et al.	
4,932,164 A	6/1990	Sullivan et al.	6,726,554 B1	4/2004	Chen et al.	
5,033,552 A	7/1991	Hu	6,748,660 B2	6/2004	Buser et al.	
5,034,041 A	7/1991	Austin	6,786,556 B2	9/2004	Due	
5,069,695 A	12/1991	Austin	6,796,208 B1	9/2004	Jorgensen	
5,074,044 A	12/1991	Duncan et al.	6,811,476 B2	11/2004	Ohlendorf	
5,084,972 A	2/1992	Waugh	6,823,907 B2	11/2004	Cheng	
5,105,585 A	4/1992	Hampl et al.	D499,946 S *	12/2004	Stirm	D8/70
5,125,190 A	6/1992	Buser et al.	6,827,640 B2	12/2004	Bures et al.	
5,131,192 A	7/1992	Cheng	6,860,799 B2	3/2005	Loveless	
5,163,252 A	11/1992	Garner et al.	6,878,050 B2	4/2005	Wendt et al.	
5,167,215 A	12/1992	Harding, Jr.	6,886,441 B2	5/2005	Hamilton	
5,176,408 A	1/1993	Pedersen	6,887,146 B2 *	5/2005	Staas	144/252.1
5,201,785 A	4/1993	Nagano	6,896,605 B2	5/2005	Ohlendorf	
5,237,781 A	8/1993	Demetrius	6,902,594 B2	6/2005	Cho	
5,259,087 A	11/1993	Loveless et al.	6,935,939 B1	8/2005	Buser et al.	
5,305,729 A	4/1994	Chiuminatta et al.	6,948,412 B2	9/2005	Brazell et al.	
5,327,649 A	7/1994	Skinner	6,960,124 B2	11/2005	Lee	
5,339,571 A	8/1994	Timmons et al.	D513,161 S *	12/2005	Chilton	D8/70
5,381,780 A	1/1995	Yelton et al.	6,988,939 B2	1/2006	Hoffmann et al.	
5,411,433 A	5/1995	Keller	6,997,653 B2	2/2006	Styles	
5,435,066 A	7/1995	Bare	7,000,605 B2	2/2006	Due	
5,440,809 A	8/1995	Padilla	7,013,884 B2	3/2006	Guth	
5,445,056 A	8/1995	Folci	7,014,547 B2	3/2006	Kleider	
5,527,207 A	6/1996	Azar et al.	7,044,039 B2	5/2006	Powell	
5,545,082 A	8/1996	Courson et al.	7,044,843 B1	5/2006	Lin	
5,558,571 A	9/1996	Toyoshima et al.	7,047,647 B1	5/2006	Muller	
5,564,408 A	10/1996	Bassols	7,047,650 B2	5/2006	Chen	
5,566,457 A	10/1996	Batschari et al.	7,069,831 B2	7/2006	Chang	
			7,112,005 B2	9/2006	Due	
			7,159,323 B2	1/2007	Petrenko	
			7,171,880 B2	2/2007	Powell	
			D537,691 S	3/2007	Lamprecht et al.	

(56)

References Cited

U.S. PATENT DOCUMENTS

D537,692 S 3/2007 Aglassinger
 7,195,429 B2 3/2007 Dods et al.
 7,197,826 B2 4/2007 Baxivanelis
 7,198,559 B2 4/2007 Walstrum et al.
 7,204,178 B2 4/2007 Bergmann
 7,216,572 B2 5/2007 Keenan
 7,222,560 B2 5/2007 Parks et al.
 7,223,161 B2 5/2007 Kodani et al.
 7,249,914 B2 7/2007 Due
 D553,933 S 10/2007 Esenwein
 7,296,356 B2 11/2007 Ngan
 7,300,337 B1 11/2007 Sun et al.
 7,322,429 B2 1/2008 Kim
 7,438,633 B2 10/2008 Jespersen
 D593,389 S 6/2009 Clayton
 7,578,063 B2 8/2009 Martin
 7,625,265 B2 12/2009 Woods et al.
 7,628,682 B2 12/2009 Andrasic et al.
 7,635,293 B2 12/2009 Sun et al.
 7,661,194 B1 2/2010 Ende
 7,661,195 B1 2/2010 Wood
 D614,678 S 4/2010 Jorgensen et al.
 7,740,086 B2 6/2010 Bleicher et al.
 7,805,805 B2 10/2010 Loveless
 7,887,624 B2 2/2011 Ekstrom et al.
 7,892,075 B2 2/2011 Esenwein
 7,958,641 B1 6/2011 Ende
 7,985,042 B1 7/2011 Paxton
 8,011,398 B2 9/2011 Loveless
 8,133,094 B2 3/2012 Loveless
 8,137,165 B2 3/2012 Loveless
 8,177,606 B2 5/2012 Loveless
 8,181,559 B1 5/2012 Ende
 8,209,872 B1 7/2012 Ende
 8,381,711 B2 2/2013 Loveless
 D677,139 S * 3/2013 Yamamoto D8/70
 D677,545 S * 3/2013 Sell D8/70
 D677,547 S * 3/2013 Rosenau D8/70
 D677,548 S * 3/2013 Rosenau D8/70
 D678,028 S * 3/2013 Rosenau D8/70
 D687,195 S * 7/2013 Sell D32/21
 8,523,637 B2 9/2013 Loveless
 8,561,512 B2 10/2013 Loveless
 8,662,964 B2 3/2014 Hiller
 8,702,478 B2 4/2014 Loveless et al.
 8,740,674 B2 6/2014 Esenwein
 D717,844 S 11/2014 Cappuccio
 D719,806 S * 12/2014 Wiedemann D8/70
 9,027,542 B2 5/2015 Ronzello
 9,038,275 B2 5/2015 Jensen et al.
 D736,582 S * 8/2015 Dietsche D8/70
 D741,557 S * 10/2015 Young D32/18
 D742,081 S * 10/2015 Young D32/18
 D742,710 S * 11/2015 Wiedemann D8/70
 D743,230 S * 11/2015 Wiedemann D8/70

D774,865 S * 12/2016 Chen D15/138
 D793,456 S * 8/2017 Lindsay D15/138
 D800,804 S * 10/2017 Cappuccio D15/133
 9,776,296 B2 * 10/2017 Brewster B23Q 11/00
 2003/0104767 A1 6/2003 Chilton
 2003/0127904 A1 7/2003 Due
 2003/0220060 A1 11/2003 Bures
 2004/0206220 A1 10/2004 Keenan
 2005/0088866 A1 4/2005 Levine
 2005/0155233 A1 7/2005 Chen
 2006/0005681 A1 1/2006 Lambert et al.
 2006/0019585 A1 1/2006 Zayat
 2006/0086350 A1 4/2006 Due
 2006/0147266 A1 7/2006 Due
 2006/0266184 A1 11/2006 Hetcher et al.
 2007/0079589 A1 4/2007 Ekstrom et al.
 2007/0155296 A1 7/2007 Hofmann et al.
 2007/0178815 A1 8/2007 Buser
 2007/0193759 A1 8/2007 Sweig et al.
 2007/0226948 A1 10/2007 Due
 2007/0228805 A1 10/2007 Due
 2007/0251104 A1 11/2007 Heinrichs
 2008/0053282 A1 3/2008 Chen
 2008/0060631 A1 3/2008 Dofher
 2008/0099053 A1 5/2008 Loveless
 2008/0109986 A1 5/2008 Loveless
 2008/0163492 A1 7/2008 Johansson
 2008/0200103 A1 8/2008 Esenwein
 2008/0271323 A1 11/2008 Perlmutter
 2009/0181604 A1 7/2009 Loveless
 2009/0181605 A1 7/2009 Loveless
 2009/0181606 A1 7/2009 Loveless
 2009/0183377 A1 7/2009 Loveless
 2009/0183800 A1 7/2009 Loveless
 2009/0186559 A1 7/2009 Loveless
 2009/0241283 A1 10/2009 Loveless
 2009/0311953 A1 12/2009 Maute et al.
 2010/0170538 A1 7/2010 Baker et al.
 2010/0285729 A1 11/2010 Loveless
 2010/0313867 A1 12/2010 Loveless
 2011/0021121 A1 1/2011 Loveless
 2011/0192262 A1 8/2011 Loveless
 2012/0084986 A1 4/2012 Klawitter
 2012/0186520 A1 7/2012 Hill
 2014/0215752 A1 8/2014 Loveless
 2017/0225358 A1 8/2017 Carlsson

FOREIGN PATENT DOCUMENTS

GB 2 260 721 4/1993
 GB 2 262 159 6/1993
 JP H06-278103 10/1994
 JP 10-000559 1/1998
 JP 10-15717 1/1998
 JP 2001-96525 4/2001
 KR 10-2002-0056086 7/2002
 WO WO 99/44786 9/1999

* cited by examiner

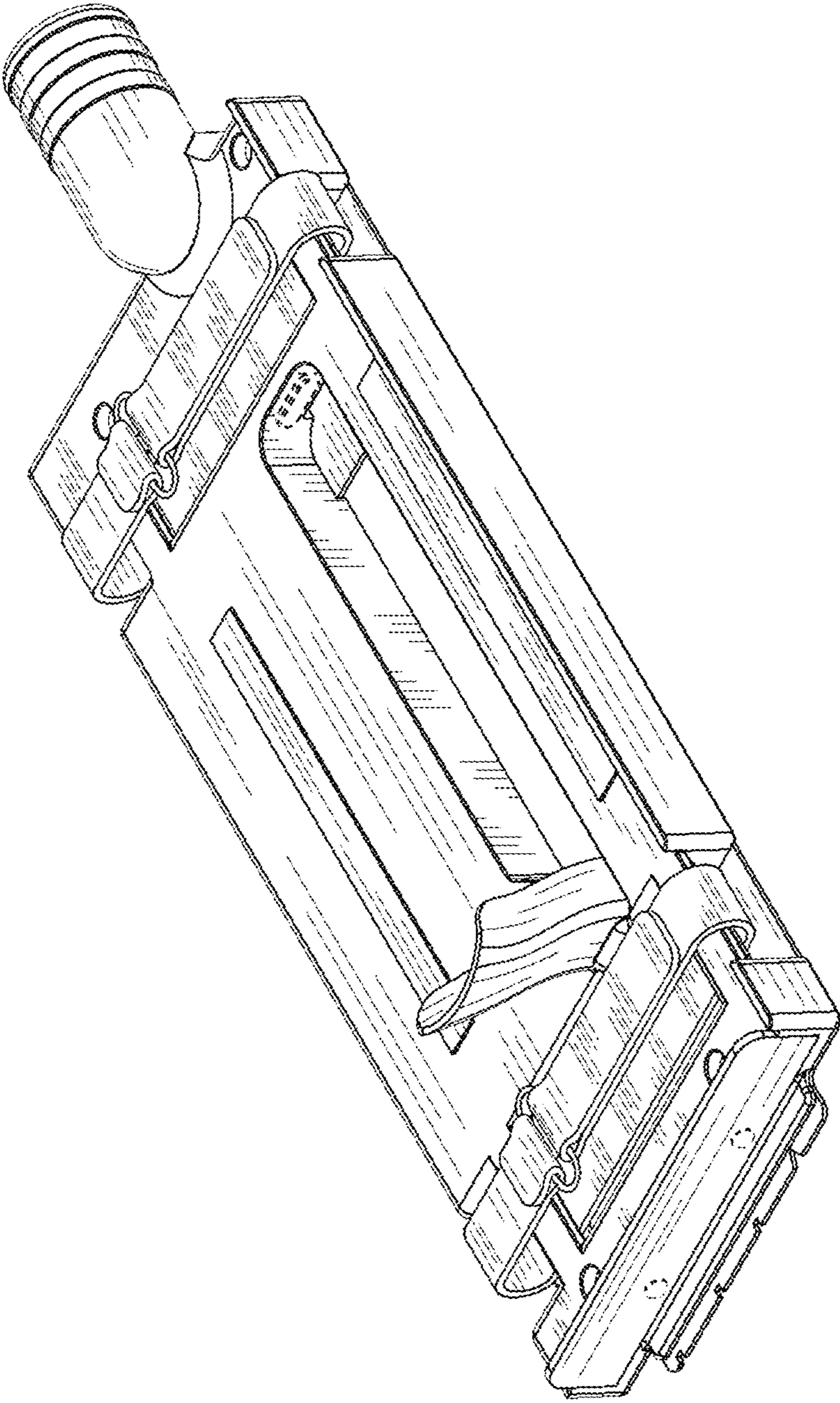


FIG. 1

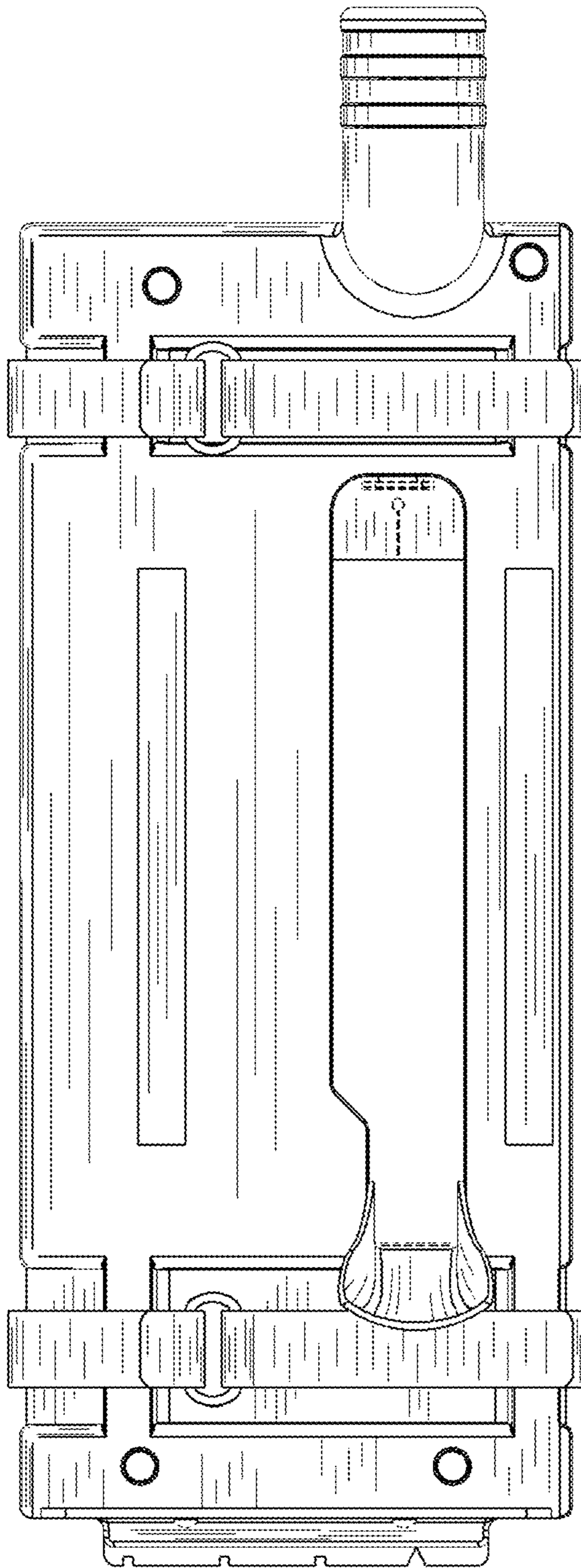


FIG. 2

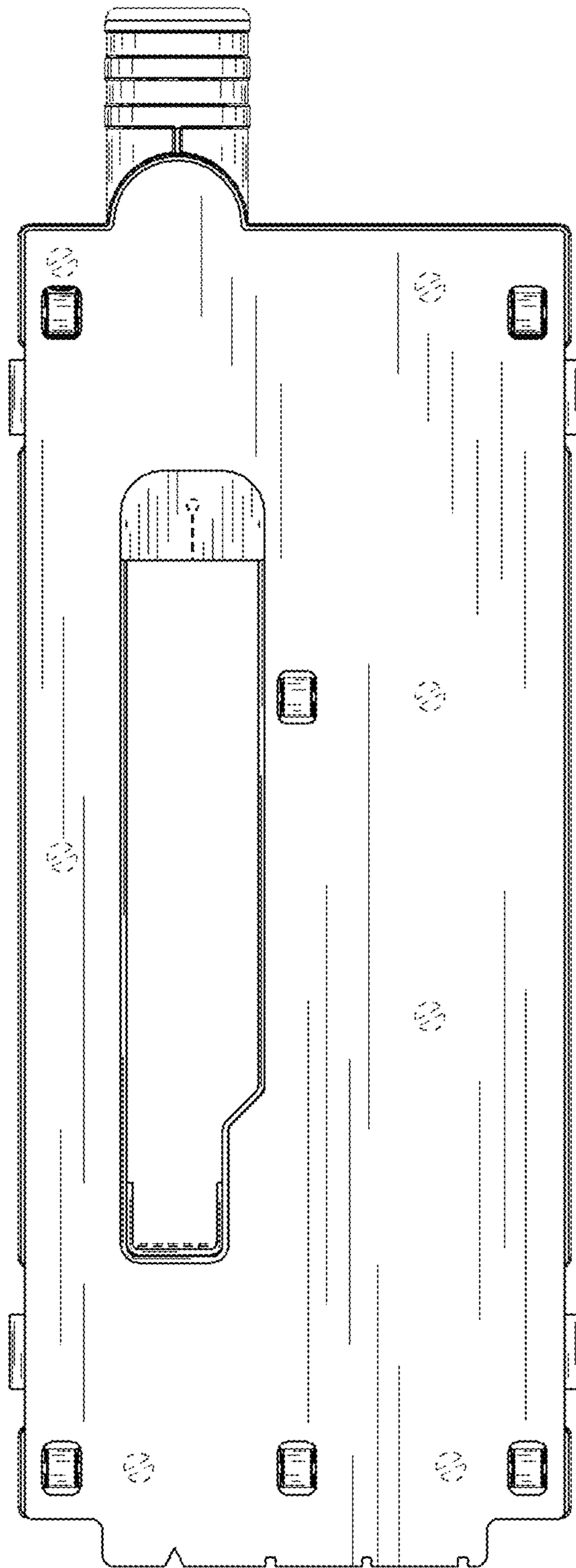


FIG. 3

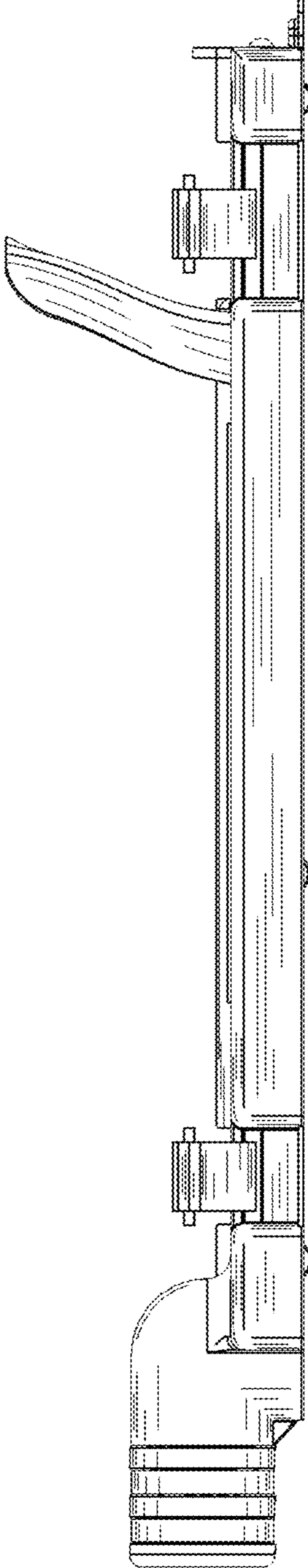


FIG. 4

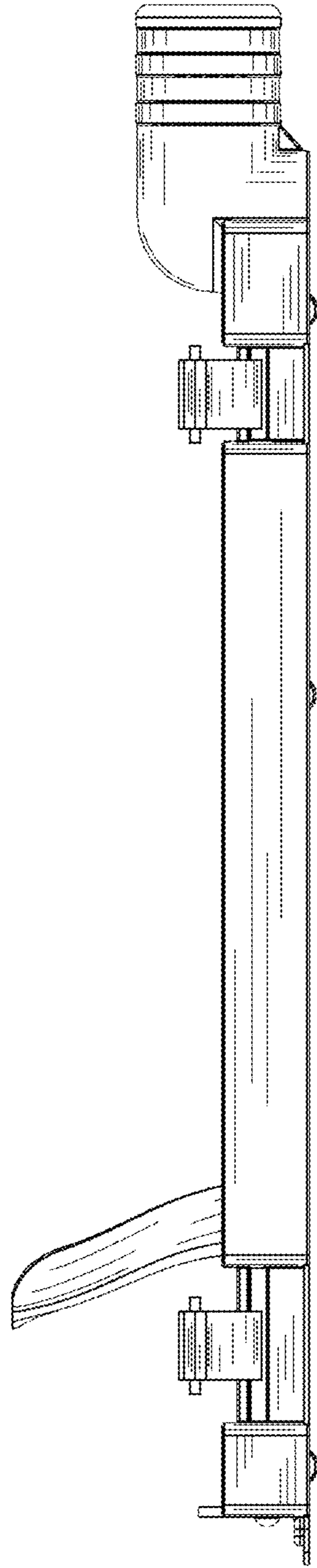


FIG. 5

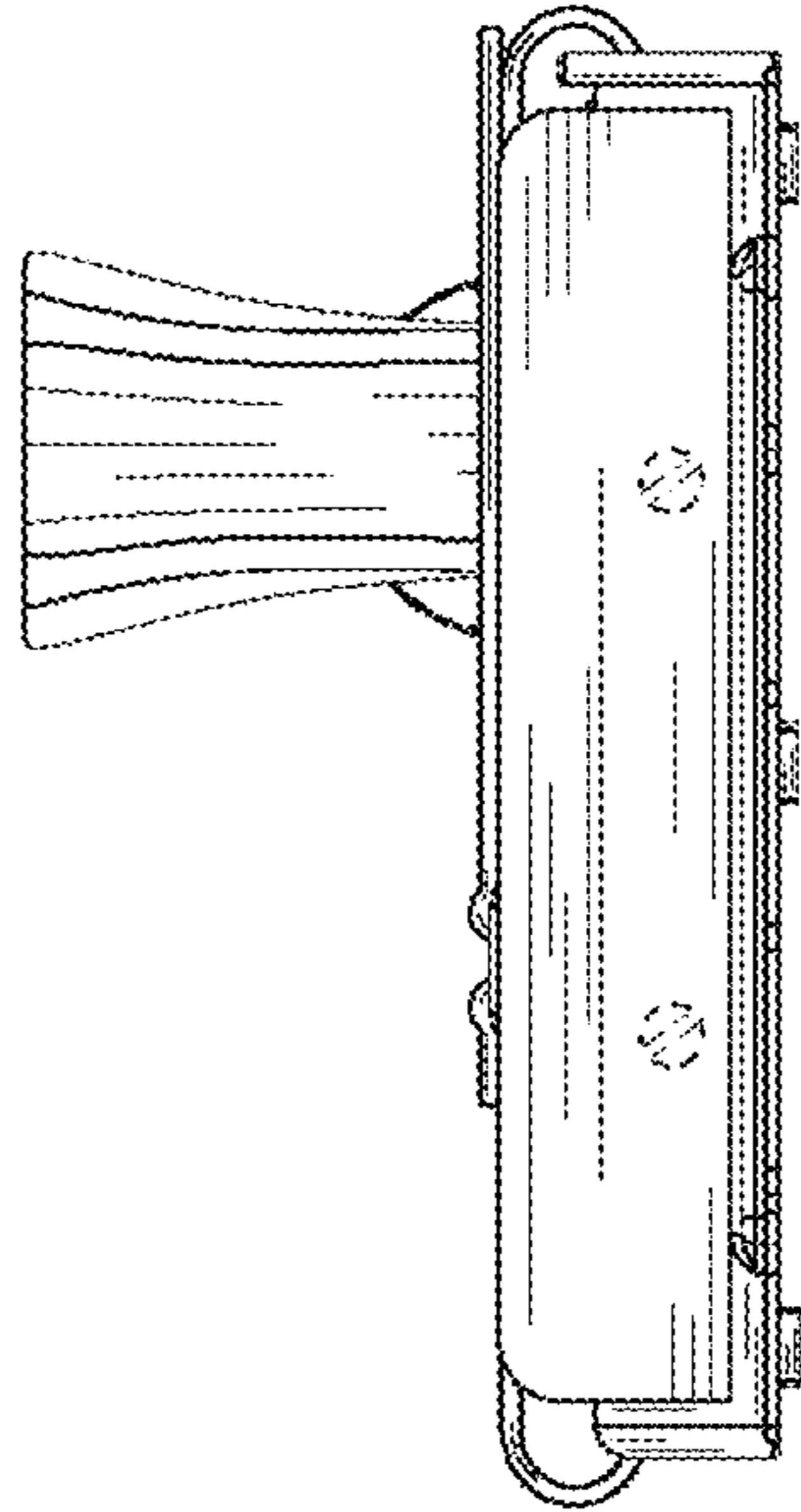


FIG. 6

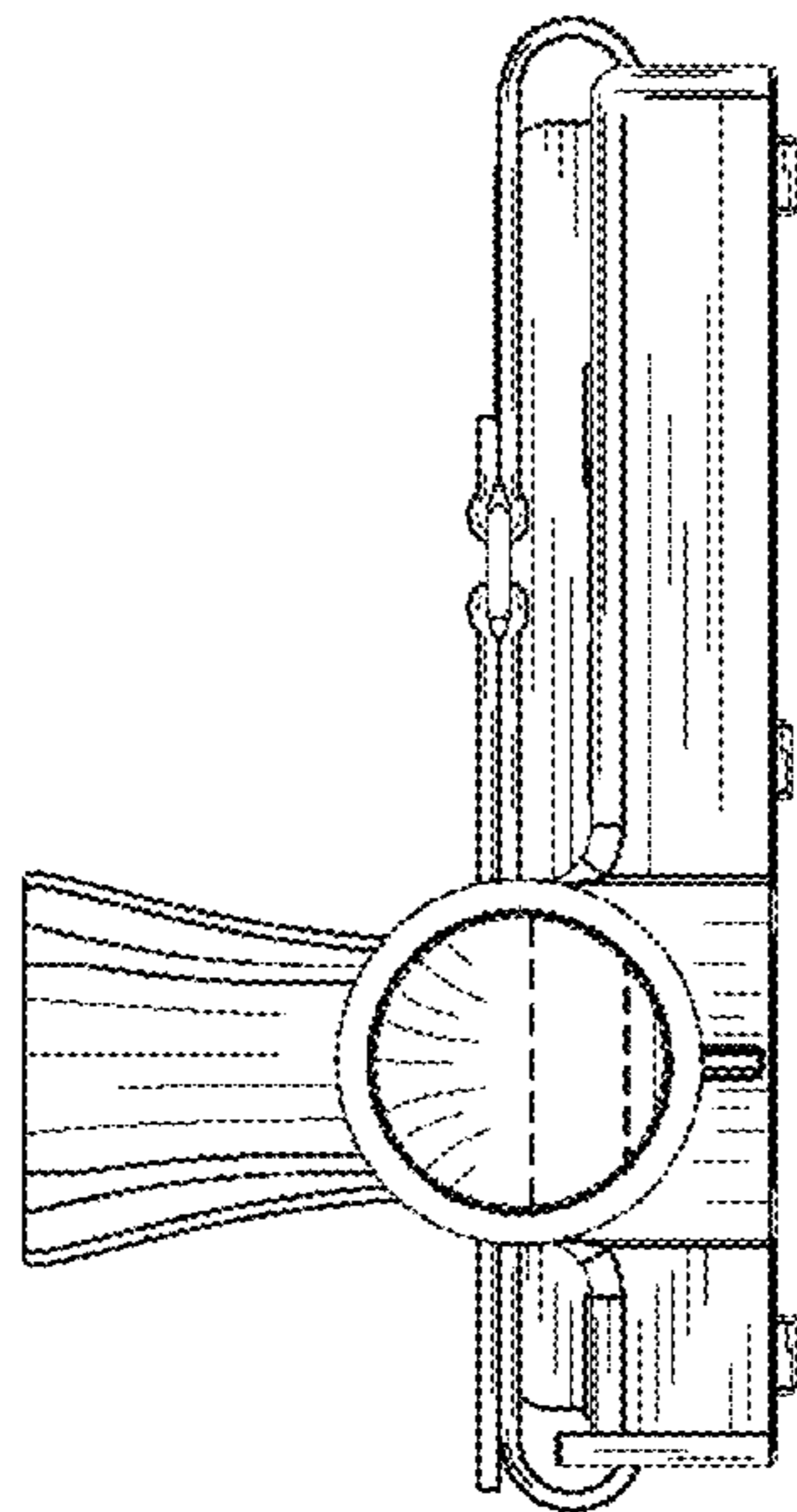


FIG. 7