



US00D816452S

(12) **United States Design Patent** (10) **Patent No.:** **US D816,452 S**
Hasenmayer (45) **Date of Patent:** **** May 1, 2018**

- (54) **CUTTING TOOL**
- (71) Applicant: **Robert Bosch GmbH**, Stuttgart (DE)
- (72) Inventor: **Vincent Hasenmayer**, Stuttgart-Möhringen (DE)
- (73) Assignee: **Robert Bosch GmbH**, Stuttgart (DE)
- (**) Term: **15 Years**
- (21) Appl. No.: **29/577,248**
- (22) Filed: **Sep. 12, 2016**
- (30) **Foreign Application Priority Data**

Apr. 15, 2016 (EM) 003070630

- (51) **LOC (11) Cl.** **08-03**
- (52) **U.S. Cl.**
USPC **D8/64**
- (58) **Field of Classification Search**
USPC D8/61, 62, 64, 65, 66, 67, 68, 69
CPC B26B 7/00; B23D 51/16; B23D 51/10;
B25F 5/02; B62B 7/00
See application file for complete search history.

(56) **References Cited**

U.S. PATENT DOCUMENTS

D180,754 S *	8/1957	Sweeney et al.	D8/64
D471,417 S *	3/2003	Chunn	D8/64
D474,088 S *	5/2003	Chunn	D8/64
D479,453 S *	9/2003	Lind	D8/64
D500,651 S *	1/2005	Andriolo	D8/64
D506,117 S *	6/2005	Sun	D8/64
D523,719 S *	6/2006	Andriolo	D8/64
D524,130 S *	7/2006	Wolf	D8/64
D524,131 S *	7/2006	Chunn	D8/64
D524,623 S *	7/2006	Andriolo	D8/64
D527,597 S *	9/2006	Andriolo	D8/64
D538,617 S *	3/2007	Aglassinger	D8/64
D544,327 S *	6/2007	Sterpka	D8/64

D560,988 S *	2/2008	Watson	D8/64
D596,005 S *	7/2009	Schoch	D8/64
D688,929 S *	9/2013	Busschaert	D8/64
9,321,112 B2 *	4/2016	Vantran	B23D 51/10
D790,939 S *	7/2017	Elder	D8/64
2003/0121389 A1 *	7/2003	Wheeler	B23D 49/162 83/699.21

(Continued)

Primary Examiner — Darlington Ly

(74) *Attorney, Agent, or Firm* — Maginot, Moore & Beck LLP

(57) **CLAIM**

The ornamental design for a cutting tool, as shown and described.

DESCRIPTION

Cross reference is made to copending U.S. design patent application Ser. No. 29/577,247 entitled “Cutting Tool” by Hasenmayer filed on even date herewith; and U.S. design patent application Ser. No. 29/577,249 entitled “Cutting Tool” by Hasenmayer filed on even date herewith.

FIG. 1 is a perspective view of a cutting tool showing my new design;

FIG. 2 is a front elevational view showing the design for the cutting tool of FIG. 1;

FIG. 3 is a rear elevational view showing the design for the cutting tool of FIG. 1;

FIG. 4 is a right side elevational view showing the design for the cutting tool of FIG. 1;

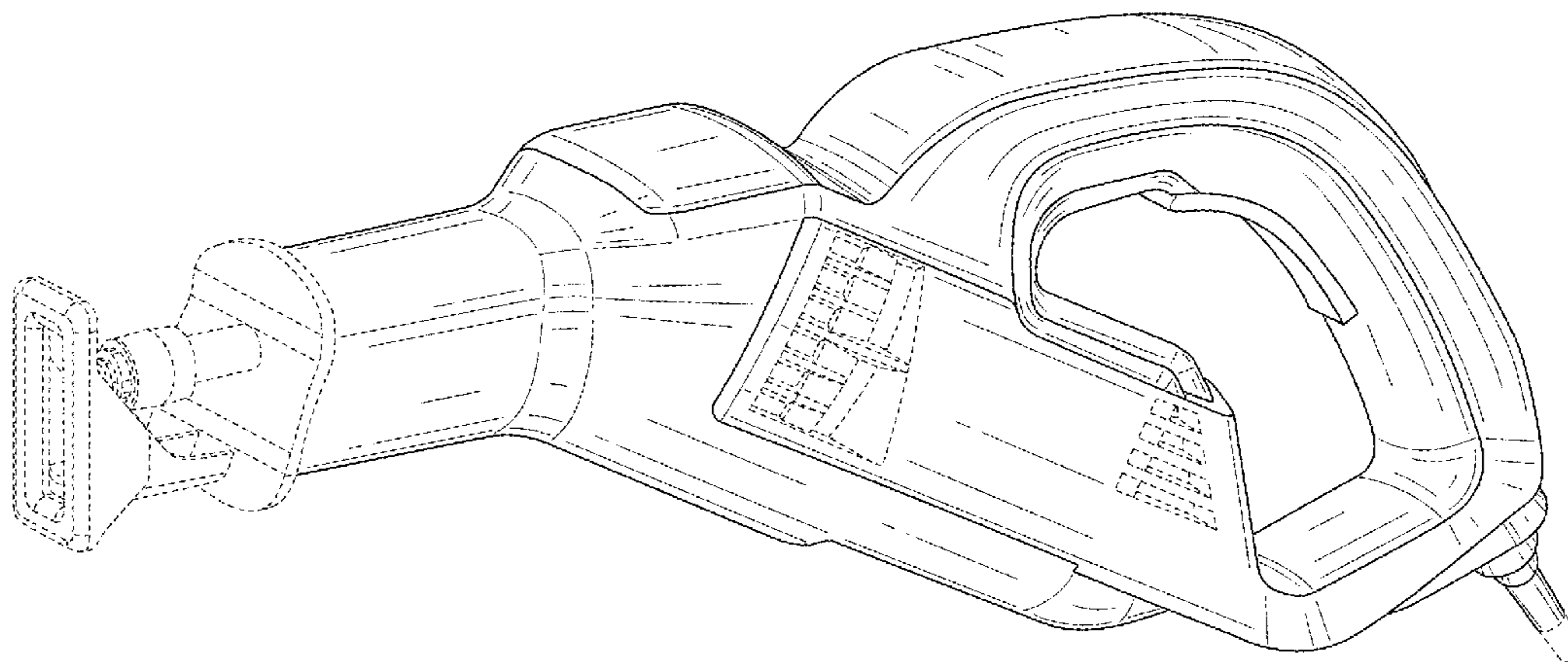
FIG. 5 is a left side elevational view showing the design for the cutting tool of FIG. 1;

FIG. 6 is a top plan view showing the design for the cutting tool of FIG. 1; and,

FIG. 7 is a bottom plan view showing the design for the cutting tool of FIG. 1.

The broken lines shown in the drawings illustrate portions of the cutting tool that form no part of the claimed design.

1 Claim, 6 Drawing Sheets



(56)

References Cited

U.S. PATENT DOCUMENTS

2005/0022395 A1* 2/2005 Hirabayashi B23D 51/16
30/392
2005/0257382 A1* 11/2005 Lui B23D 49/16
30/392

* cited by examiner

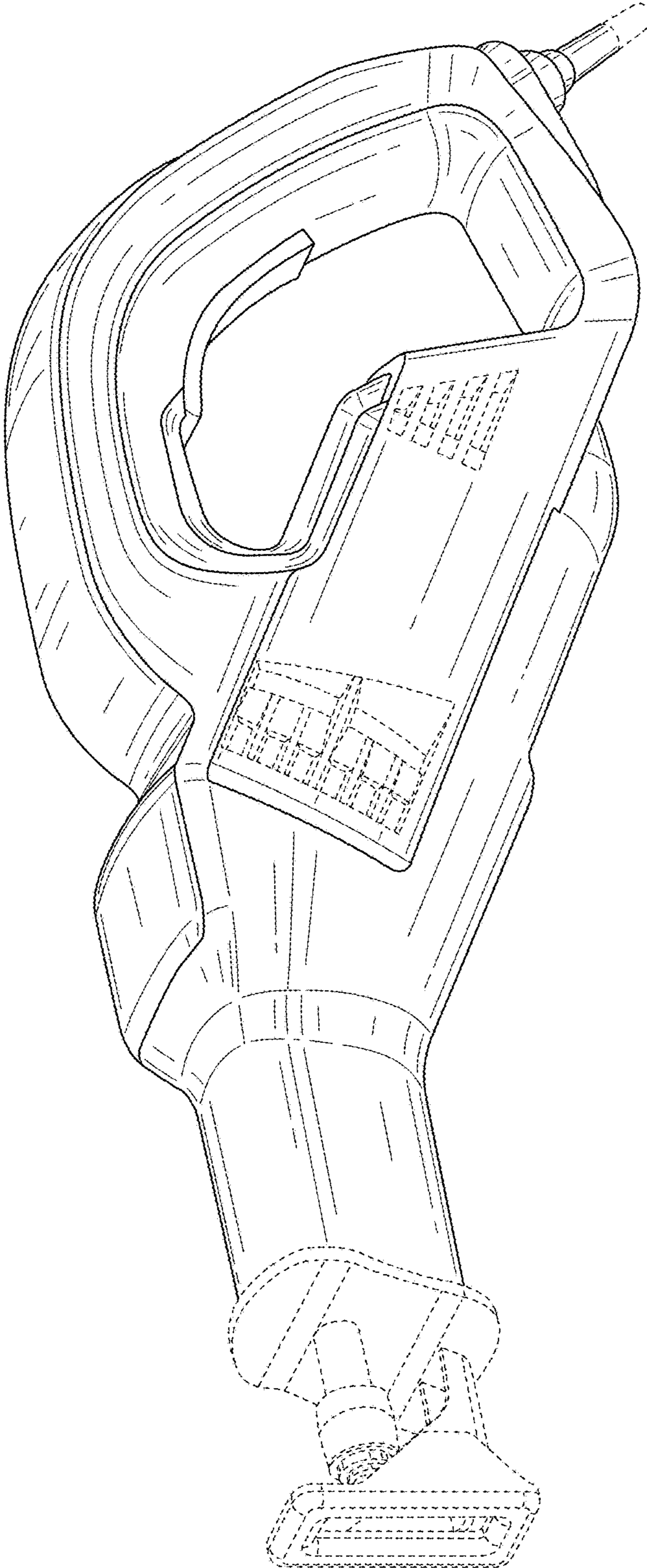


FIG. 1

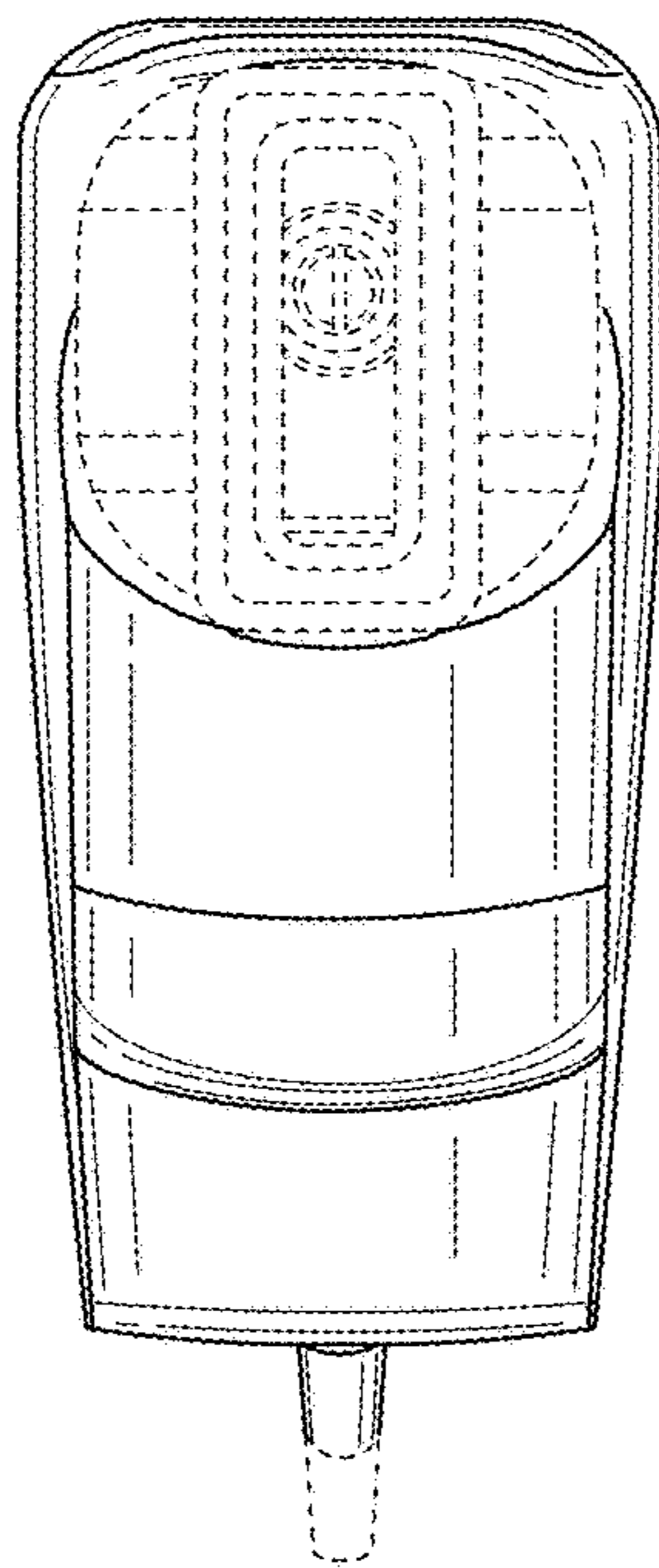


FIG. 2

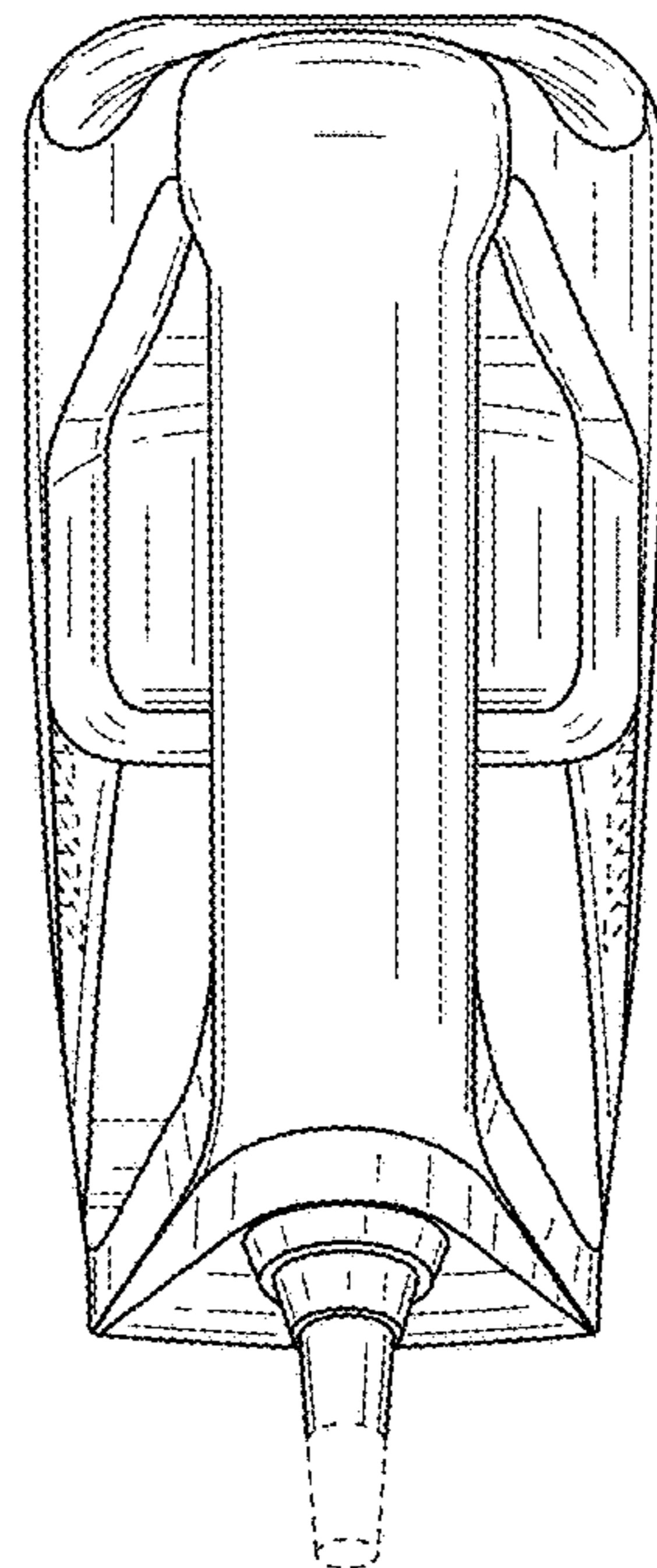


FIG. 3

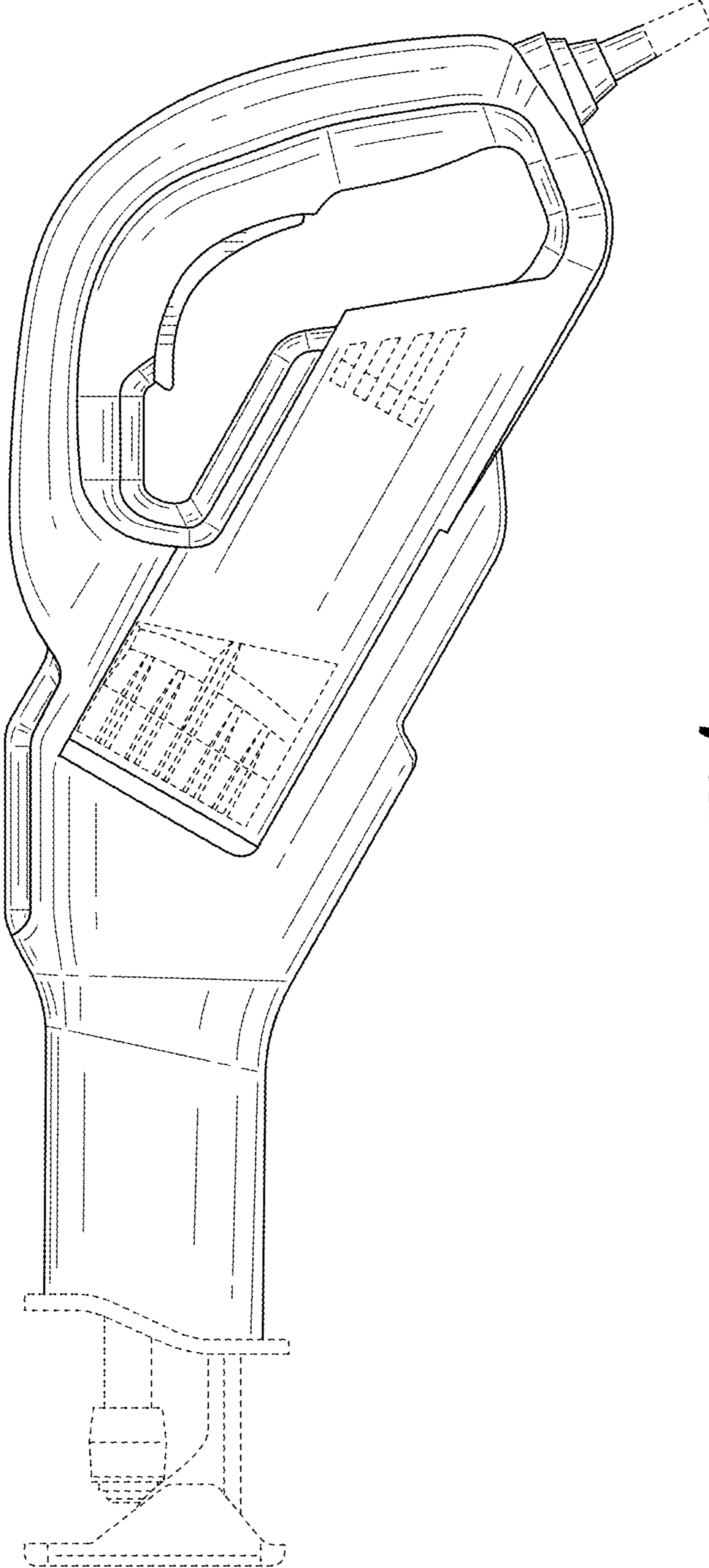


FIG. 4

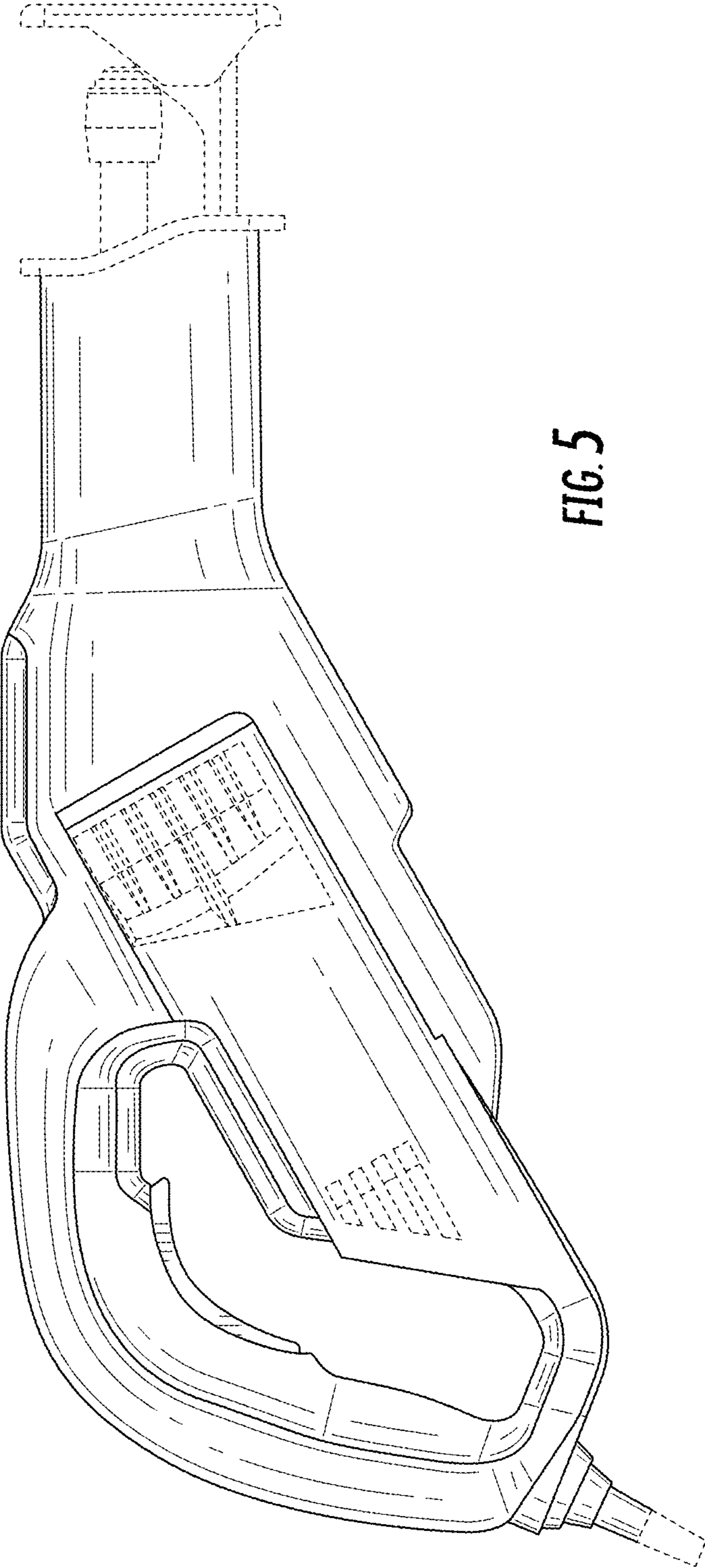


FIG. 5

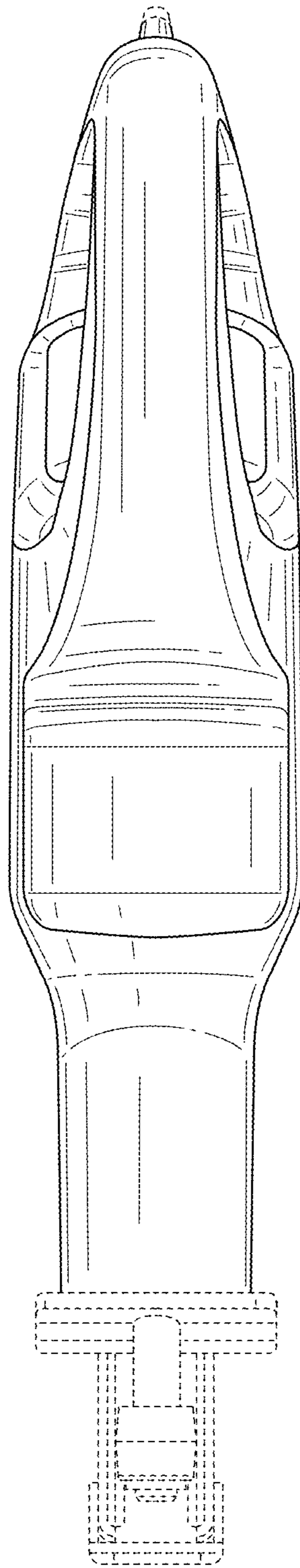


FIG. 6

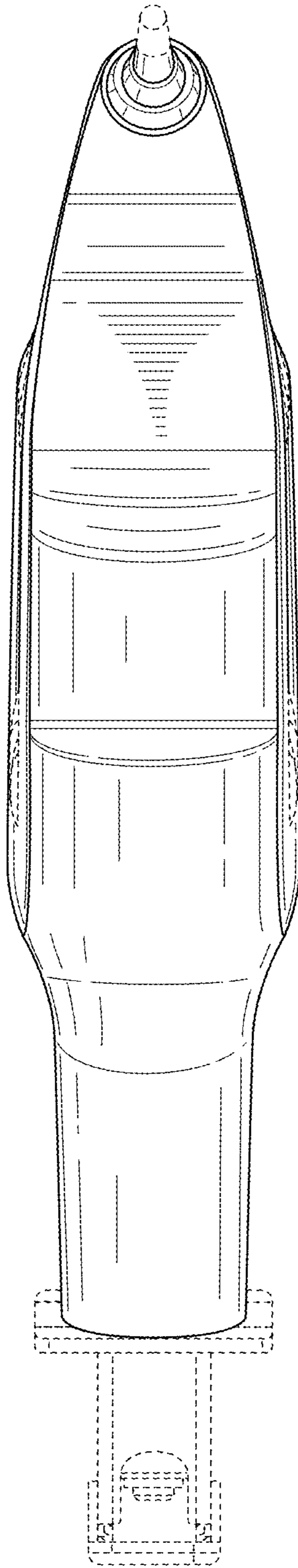


FIG. 7