



US00D816450S

(12) **United States Design Patent** (10) **Patent No.:** **US D816,450 S**  
**Breuer** (45) **Date of Patent:** **\*\* May 1, 2018**

(54) **SCISSOR**

(74) *Attorney, Agent, or Firm* — Mayback & Hoffman, P.A.; Gregory L. Mayback

(71) Applicant: **United Salon Technologies GmbH**, Solingen (DE)

(72) Inventor: **Detlef Helge Breuer**, Solingen (DE)

(57) **CLAIM**

(73) Assignee: **United Salon Technologies GmbH** (DE)

The ornamental design for a scissor, as shown and described.

(\*\*) Term: **15 Years**

(21) Appl. No.: **29/564,802**

**DESCRIPTION**

(22) Filed: **May 16, 2016**

FIG. 1 is a perspective view showing my new design of a scissor;

(30) **Foreign Application Priority Data**

FIG. 2 is an exploded perspective view thereof;

Feb. 22, 2016 (EP) ..... 16156766

FIG. 3 is a top plan view thereof;

Feb. 23, 2016 (WO) ..... 960766701

FIG. 4 is a bottom plan view thereof;

Feb. 23, 2016 (WO) ..... DM/089778

FIG. 5 is a right side elevational view thereof;

(51) **LOC (11) Cl.** ..... **08-03**

FIG. 6 is a left side elevational thereof;

(52) **U.S. Cl.**

FIG. 7 is a bottom elevational view thereof;

USPC ..... **D8/57**

FIG. 8 is a top elevational view thereof;

(58) **Field of Classification Search**

FIG. 9 is a perspective view of a left lever cover of the scissor of FIG. 1;

USPC ..... D8/51-58

FIG. 10 is a perspective view of a right lever cover of the scissor of FIG. 1;

CPC ..... B26B 13/00; B26B 13/06; B26B 13/12;

FIG. 11 is a bottom perspective view of a left blade cover of the scissor of FIG. 1;

B26B 13/14; B26B 21/48

FIG. 12 is a top perspective view of a left blade cover of the scissor of FIG. 1;

See application file for complete search history.

FIG. 13 is a top perspective view of a right blade cover of the scissor of FIG. 1; and,

(56) **References Cited**

**U.S. PATENT DOCUMENTS**

FIG. 14 is a bottom perspective view of a right blade cover of the scissor of FIG. 1.

D212,273 S \* 9/1968 Sinko ..... D8/57

The broken lines of a cable in FIGS. 1 to 5 are for the purpose of illustrating unclaimed environment of the design, are for illustrative purposes only, and form no part of the claimed design.

5,743,017 A \* 4/1998 Dreher ..... A45D 26/0009

The dash-double-dash lines in FIG. 2 are only present to show connectivity of the parts of the claimed design when separated from one another and form no part of the claim.

219/229

6,247,236 B1 \* 6/2001 Johnson ..... B26B 13/06

219/222

6,367,155 B2 \* 4/2002 Homann ..... B26B 7/00

219/229

6,735,871 B1 \* 5/2004 Todd-Russell ..... B26B 13/22

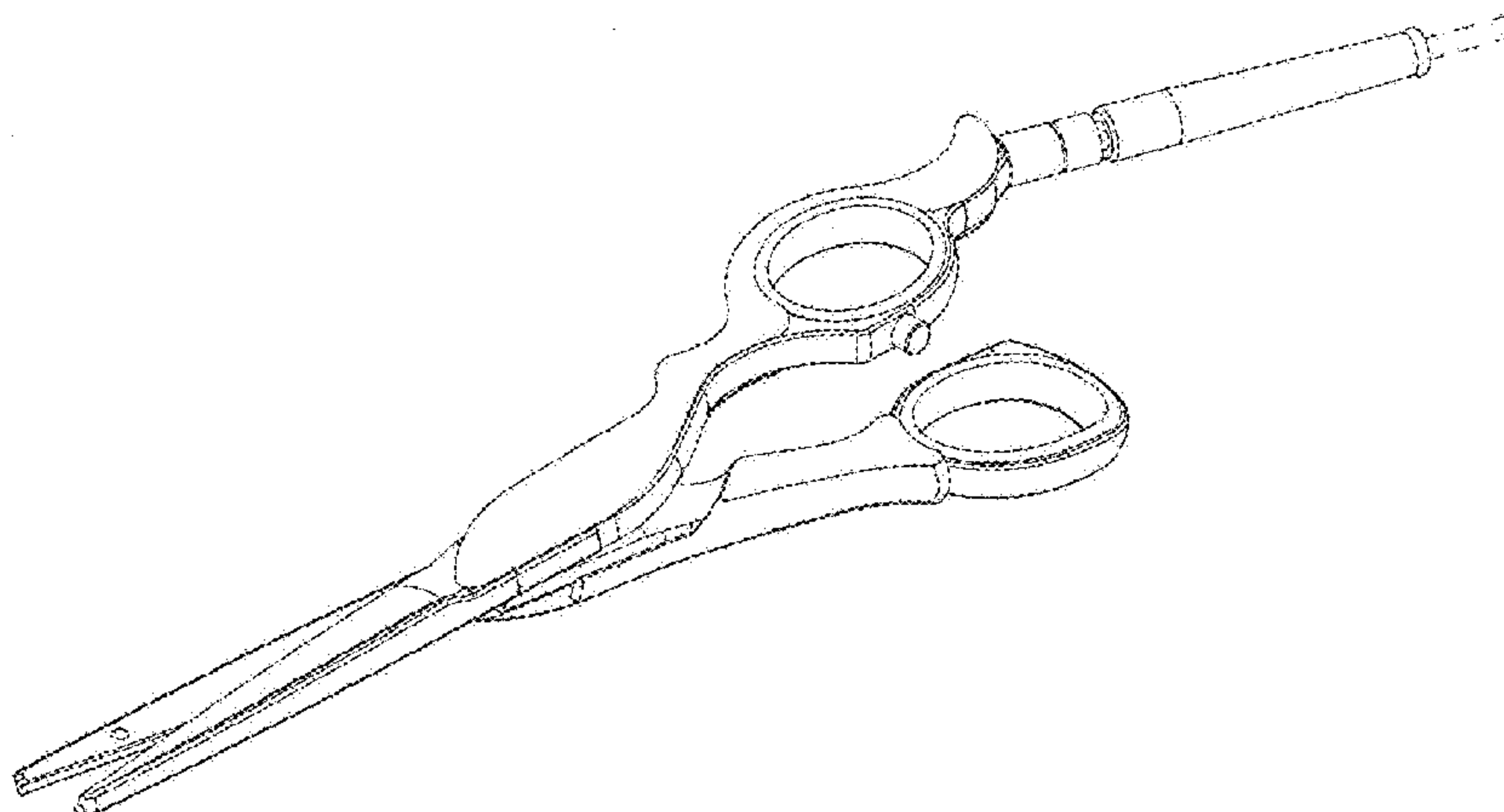
30/140

D526,880 S \* 8/2006 Ferman ..... D8/107

(Continued)

*Primary Examiner* — Deanna L Pratt

**1 Claim, 5 Drawing Sheets**



(56)

**References Cited**

U.S. PATENT DOCUMENTS

7,373,728	B2 *	5/2008	Ferman	.....	B26B 13/20
					30/232
D593,871	S *	6/2009	Schmidt	.....	D9/721
D707,093	S *	6/2014	Greer	.....	D8/57
D753,974	S *	4/2016	Chang	.....	D8/57
D754,506	S *	4/2016	Hunter	.....	D8/57
D754,507	S *	4/2016	Chang	.....	D8/57

\* cited by examiner

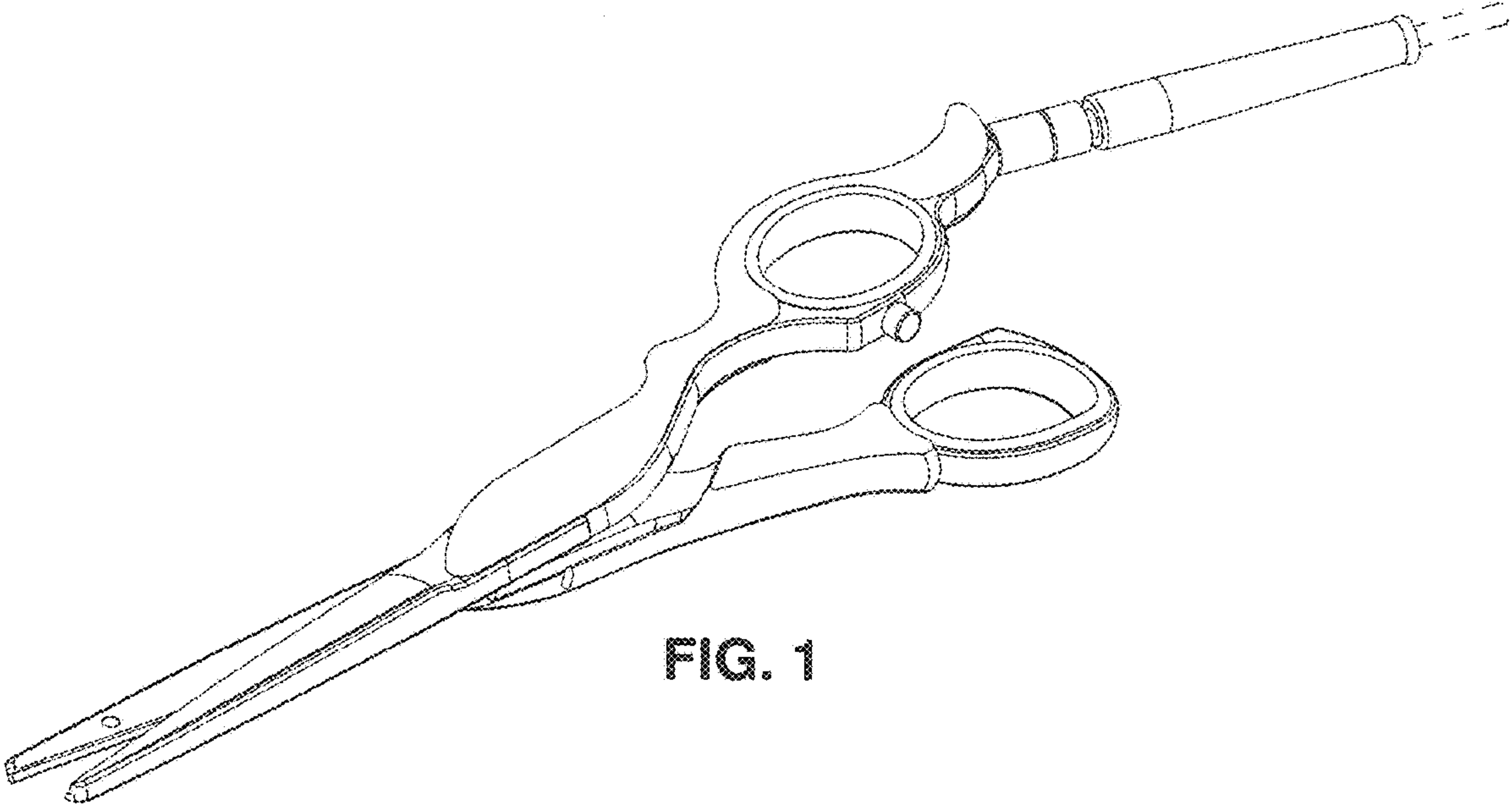


FIG. 1

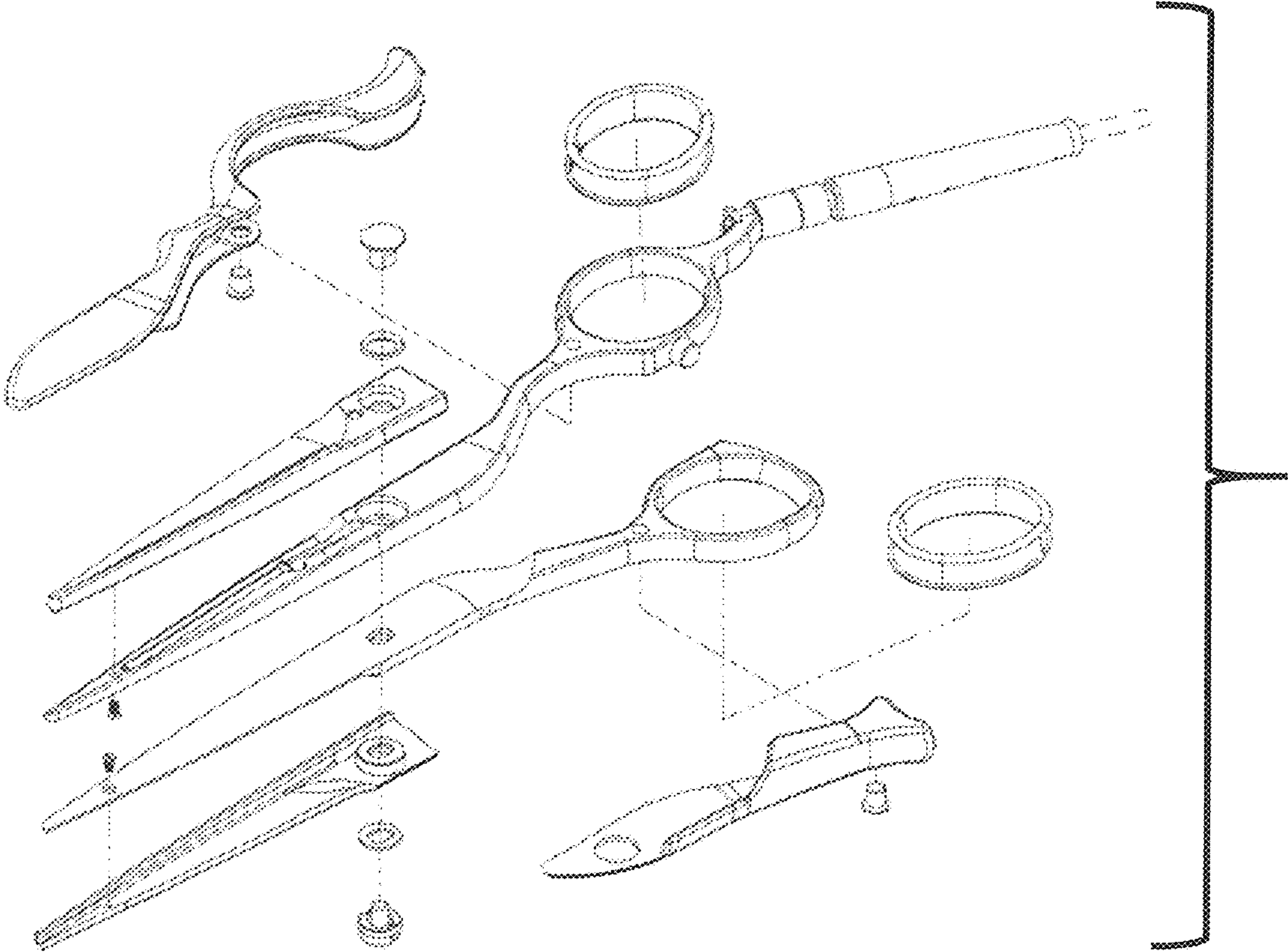


FIG. 2

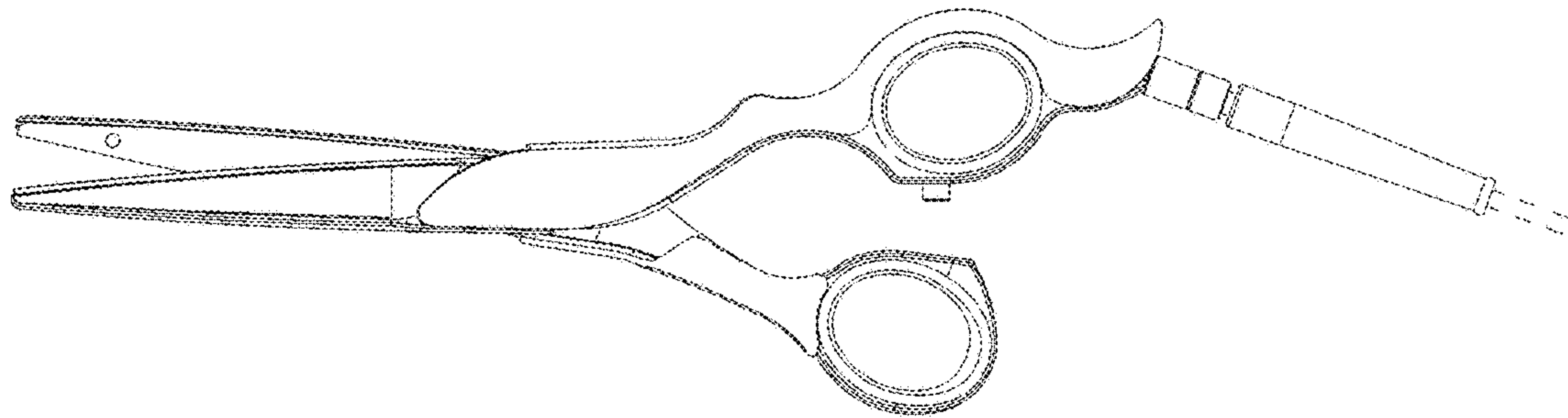


FIG. 3

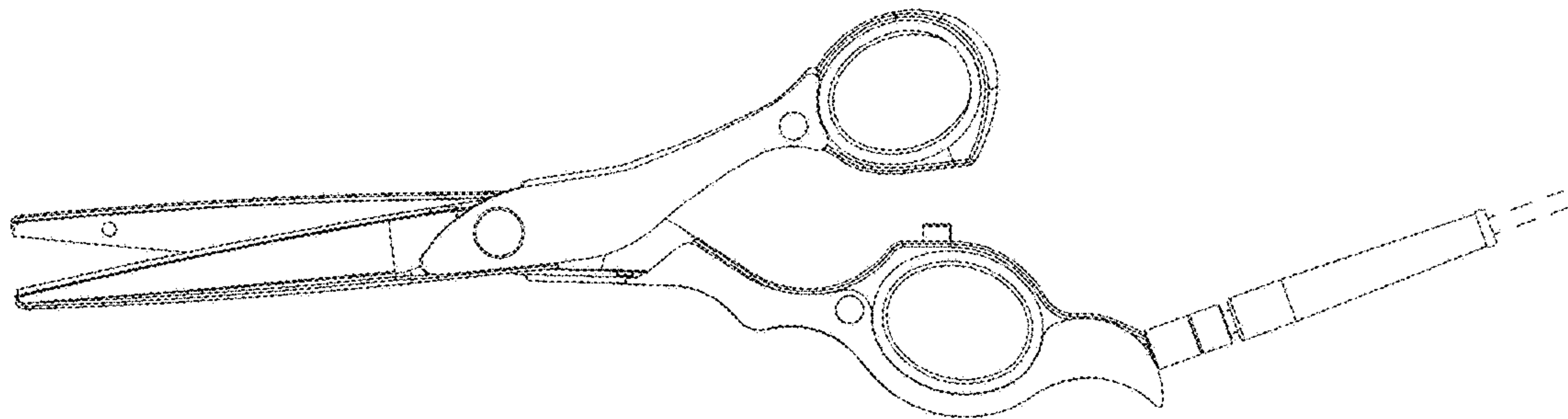


FIG. 4



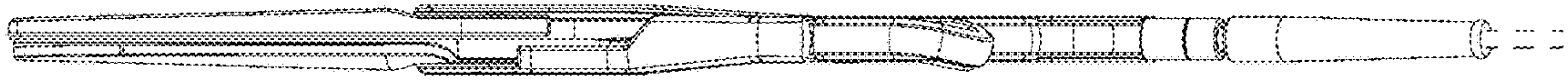


FIG. 5

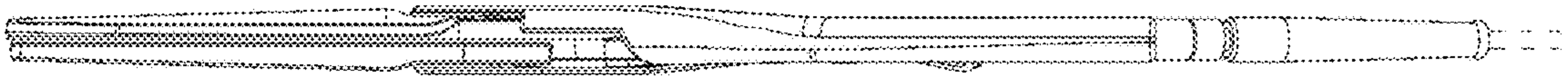


FIG. 6

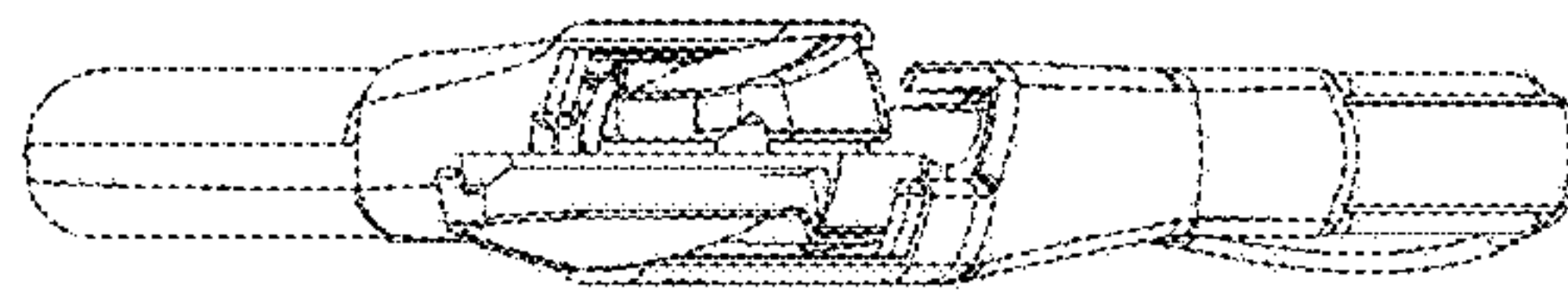


FIG. 7

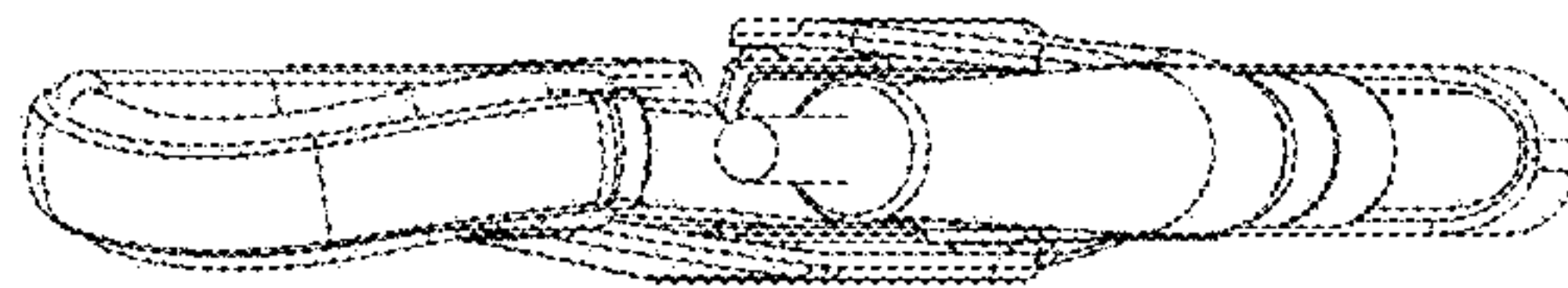


FIG. 8

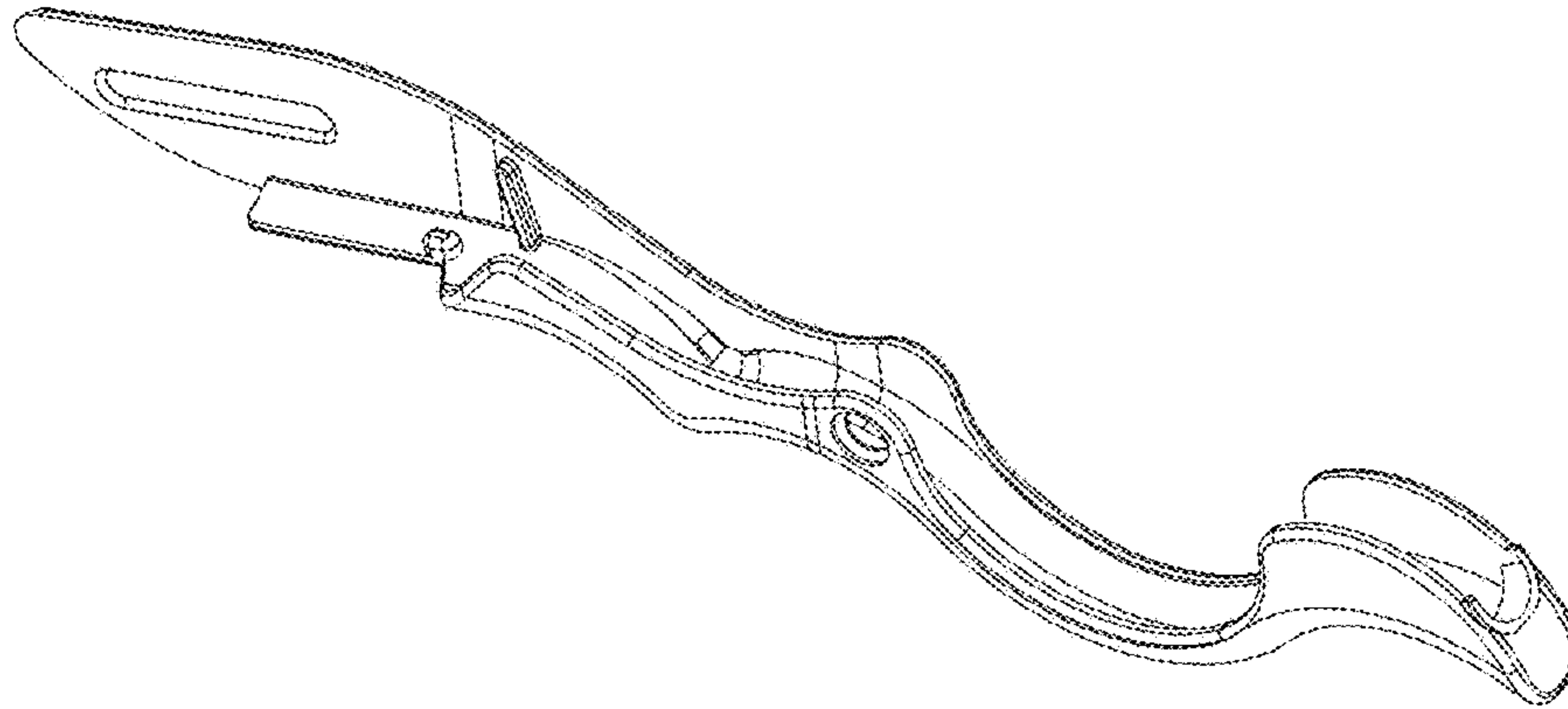


FIG. 9

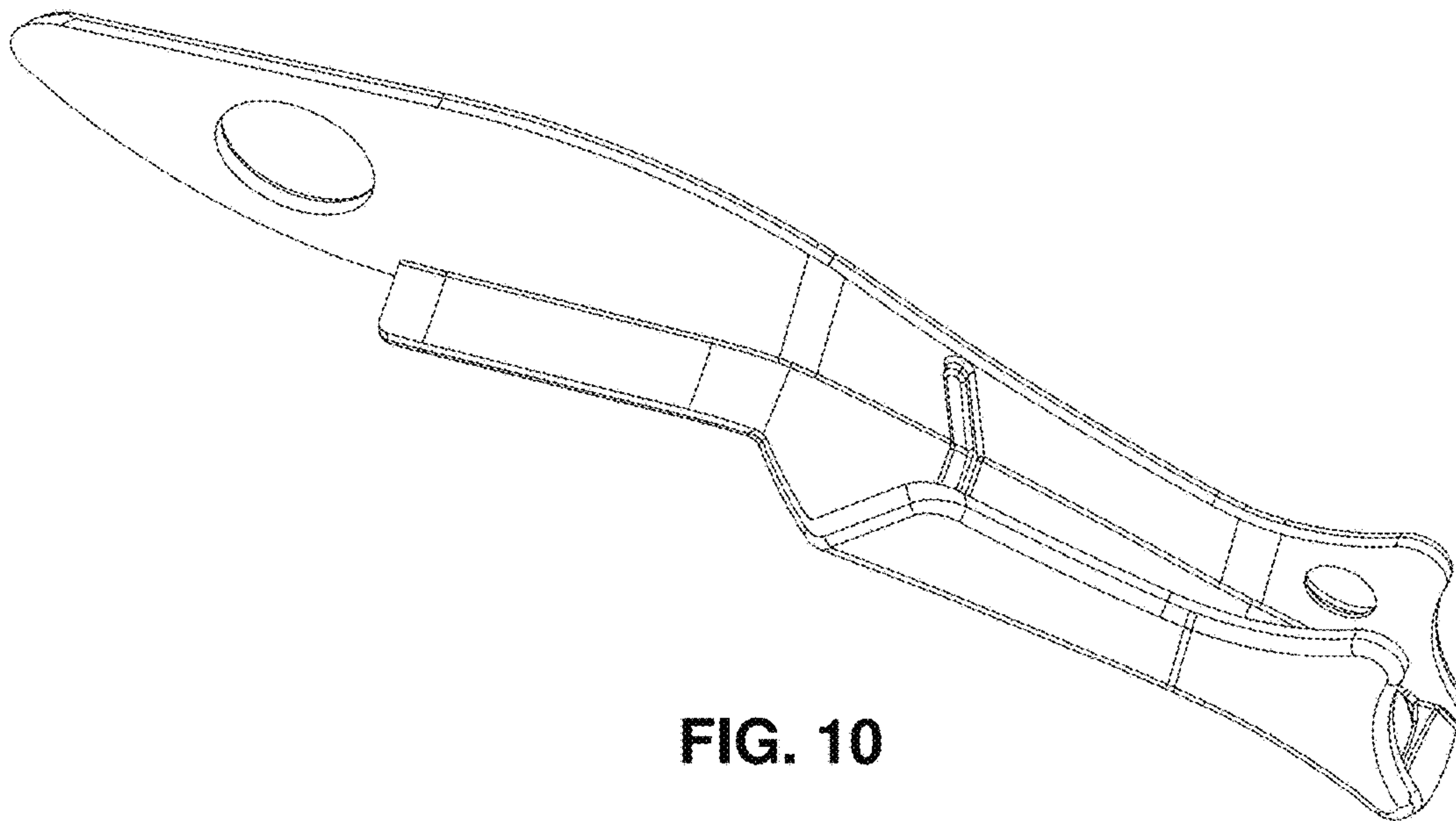


FIG. 10

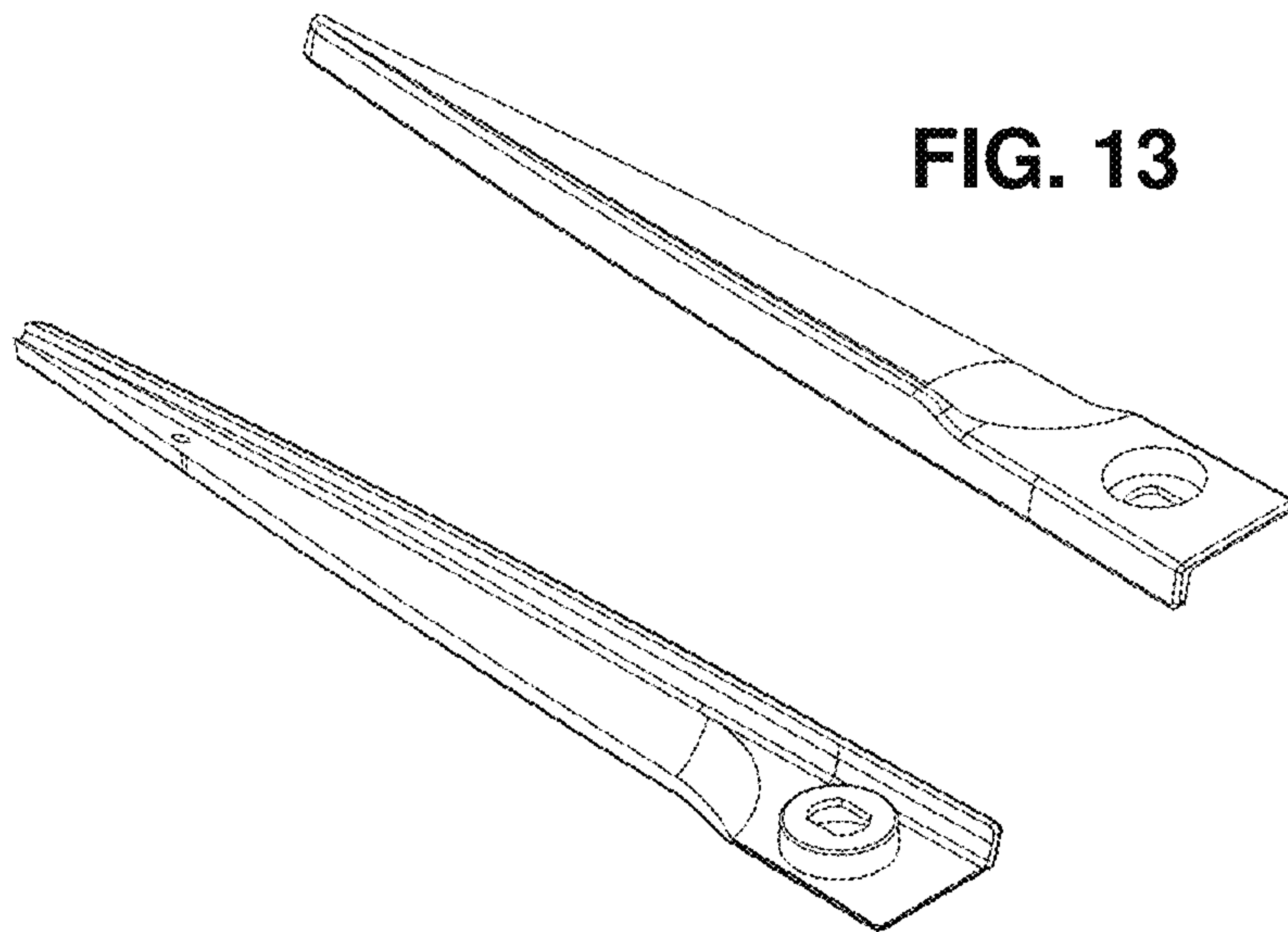
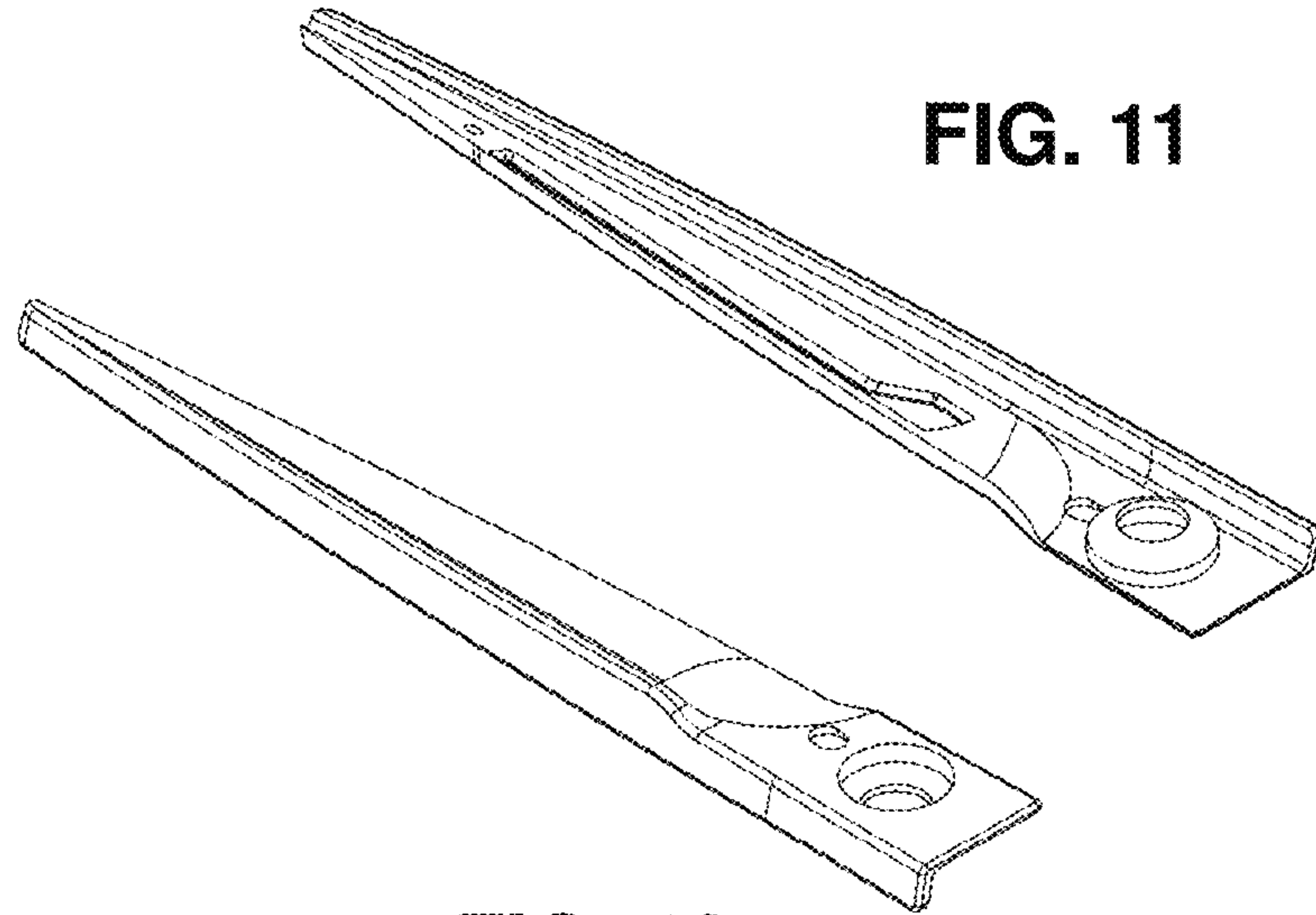


FIG. 14