



US00D816447S

(12) **United States Design Patent**  
**Schluter**

(10) **Patent No.:** **US D816,447 S**

(45) **Date of Patent:** **\*\* May 1, 2018**

- (54) **TROWEL**
- (71) Applicant: **Schluter-Systems KG**, Iserlohn (DE)
- (72) Inventor: **Werner Schluter**, Iserlohn (DE)
- (73) Assignee: **Schluter-Systems KG** (DE)
- (\*\*) Term: **15 Years**
- (21) Appl. No.: **29/587,656**
- (22) Filed: **Dec. 14, 2016**

(30) **Foreign Application Priority Data**

- Jun. 15, 2016 (EP) ..... 003191451
- (51) **LOC (11) Cl.** ..... **08-05**
- (52) **U.S. Cl.**  
USPC ..... **D8/45**
- (58) **Field of Classification Search**  
USPC ..... D8/7, 10, 45, 19, 20; D25/119  
CPC ..... B05C 17/10; E04F 21/161; E04F 21/162;  
E04F 21/163; E04F 21/06; Y10T  
156/1788  
See application file for complete search history.

(56) **References Cited**

**U.S. PATENT DOCUMENTS**

- 2,086,956 A \* 7/1937 Long ..... B05C 17/00  
15/210.1
- D117,388 S 10/1939 Woinarovicz
- 2,217,369 A 10/1940 Jacobsen et al.
- 2,322,152 A 6/1943 Moran
- 2,425,215 A \* 8/1947 West ..... B05C 17/10  
15/245.1
- 2,526,401 A 10/1950 Oscar
- D169,837 S 6/1953 Blander
- 2,824,330 A 2/1958 Williams
- 2,906,115 A \* 9/1959 Pastoret ..... E04F 21/06  
15/235.4
- 3,018,499 A 1/1962 Levy
- 3,023,444 A 3/1962 Tims, Jr.

- 3,302,233 A 2/1967 Sebastiani
- 3,676,888 A \* 7/1972 Akers ..... B44D 3/105  
15/144.1
- 4,048,471 A 3/1977 Ours
- D323,271 S \* 1/1992 Barentsen ..... D8/45
- D323,896 S 2/1992 Alcazar
- D330,445 S \* 10/1992 Hay ..... D32/46
- D352,432 S 11/1994 Monroe

(Continued)

*Primary Examiner* — Sandra S Snapp  
*Assistant Examiner* — Ieisha N Price  
 (74) *Attorney, Agent, or Firm* — Thorpe North & Western, LLP

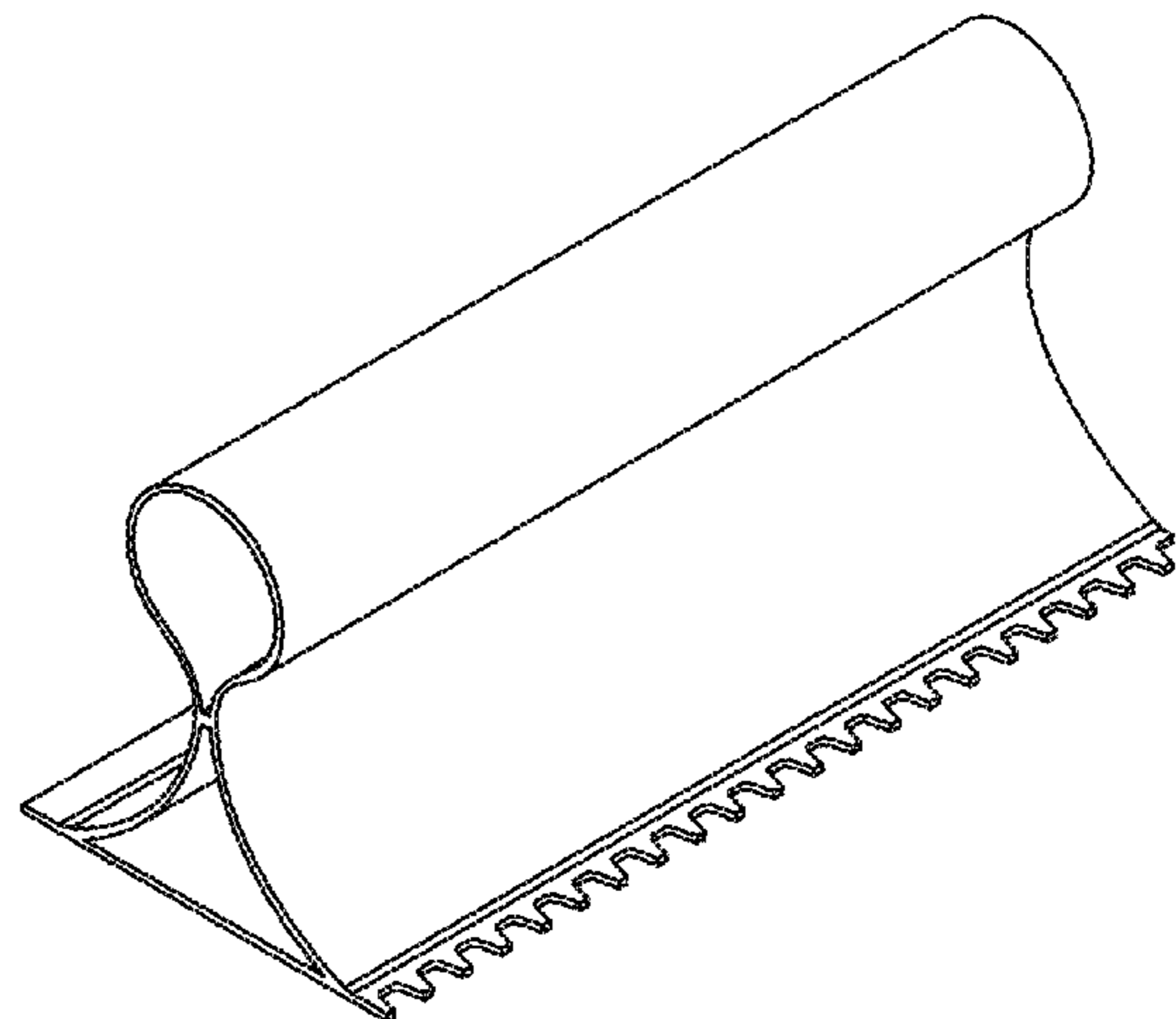
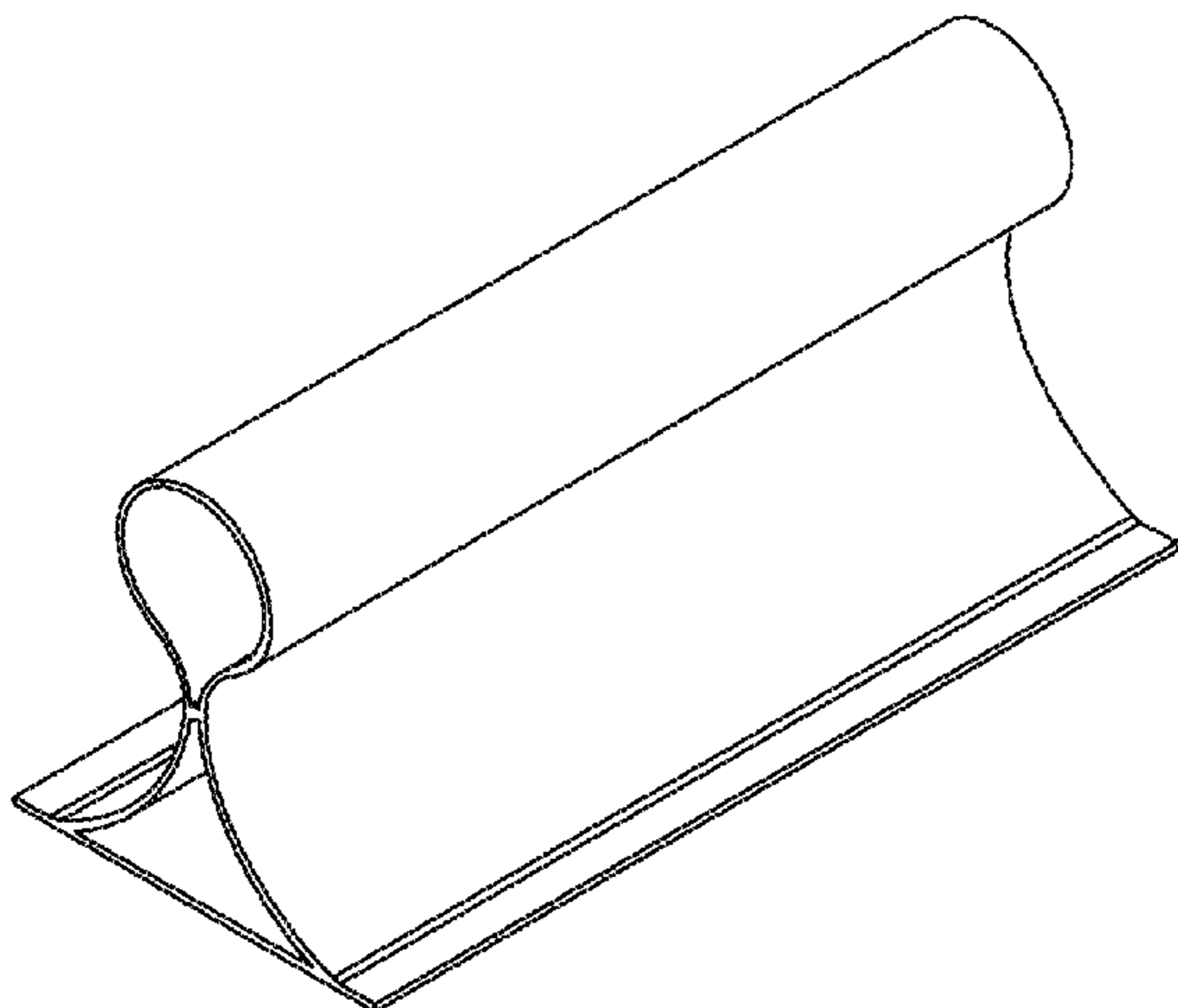
(57) **CLAIM**

The ornamental design for a trowel, as shown and described.

**DESCRIPTION**

FIG. 1 is a perspective view of a trowel in accordance with my invention;  
 FIG. 2 is another perspective view thereof;  
 FIG. 3 is a bottom view thereof;  
 FIG. 4 is a top view thereof;  
 FIG. 5 is a front view thereof;  
 FIG. 6 is a rear view thereof;  
 FIG. 7 is a side view thereof, an opposing side view being a mirror image thereof;  
 FIG. 8 is a perspective view of another embodiment of the trowel in accordance with my invention;  
 FIG. 9 is another perspective view of the trowel of FIG. 8;  
 FIG. 10 is a bottom view of the trowel of FIG. 8;  
 FIG. 11 is a top view of the trowel of FIG. 8;  
 FIG. 12 is a front view of the trowel of FIG. 8;  
 FIG. 13 is a rear view of the trowel of FIG. 8;  
 FIG. 14 is a side view of the trowel of FIG. 8; and,  
 FIG. 15 is an opposing side view thereof.

**1 Claim, 8 Drawing Sheets**



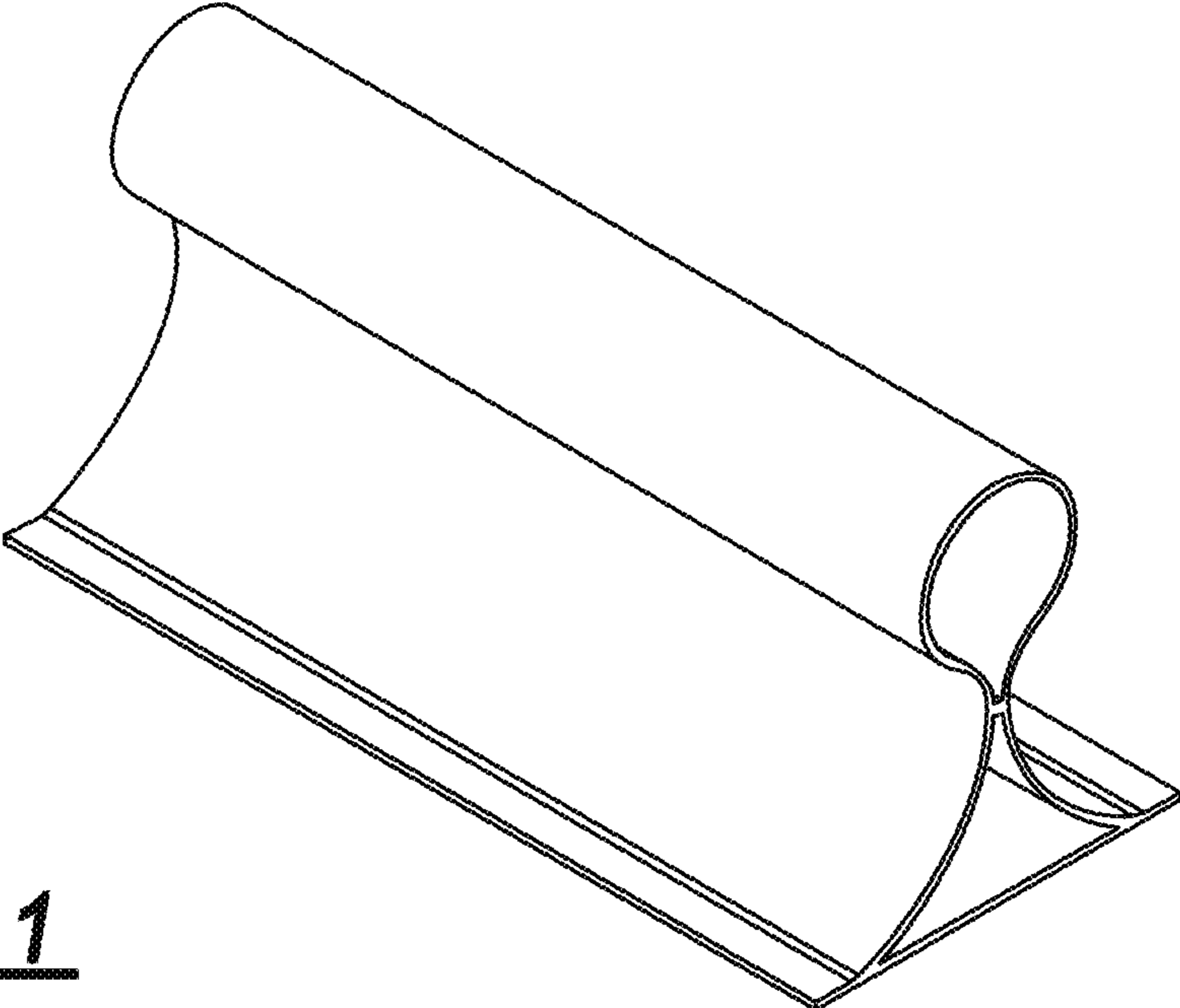
(56)

**References Cited**

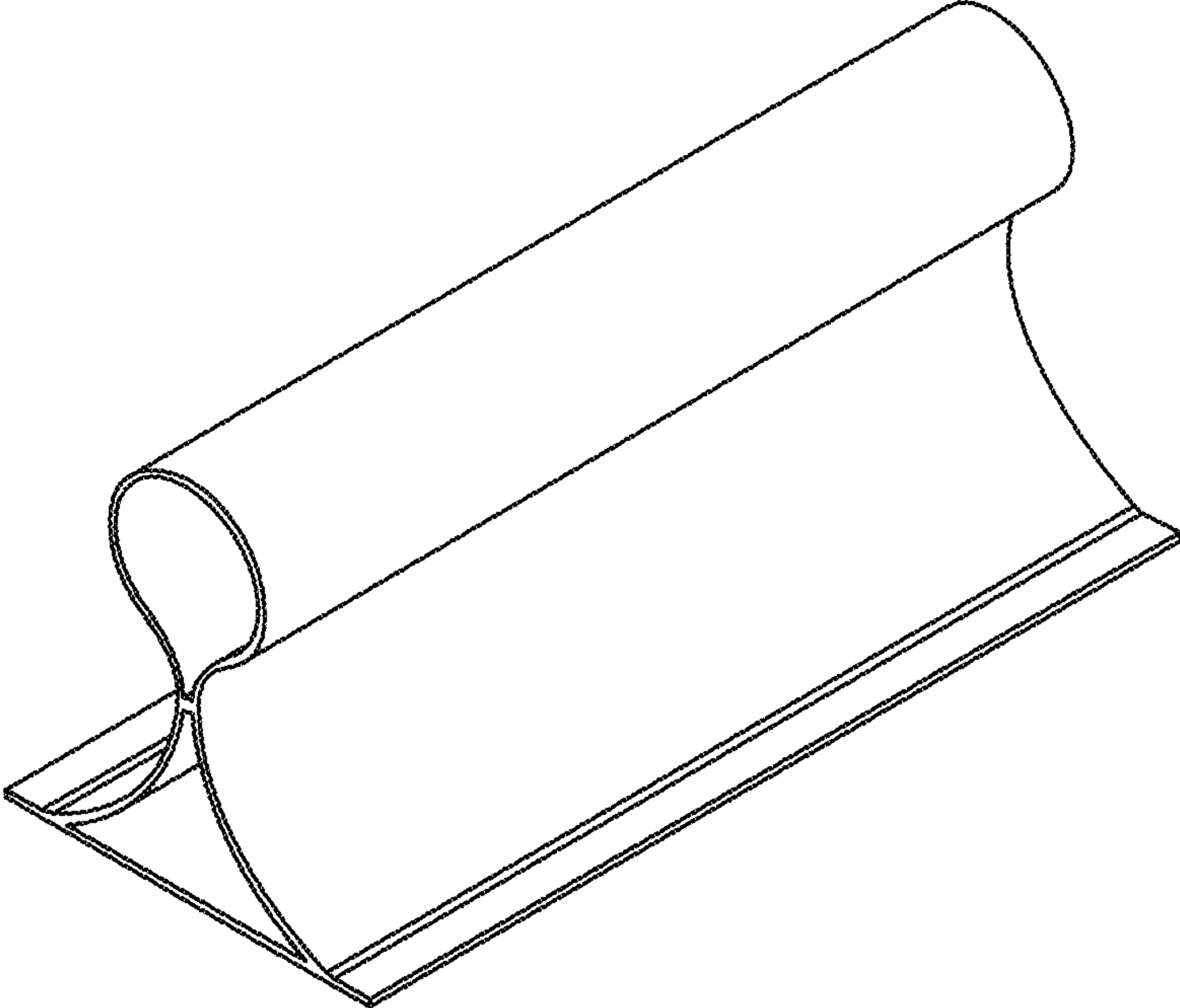
U.S. PATENT DOCUMENTS

5,524,316	A	6/1996	Johnson	
D395,385	S	* 6/1998	Pipic .....	D8/45
6,178,586	B1	1/2001	Jafarmadar	
D529,351	S	10/2006	Friz	
D577,971	S	10/2008	Hughett	
D636,656	S	4/2011	Schaefer et al.	
D753,457	S	4/2016	Hurt et al.	
D770,267	S	* 11/2016	Roan .....	D8/395
D781,693	S	3/2017	Roan et al.	
D790,312	S	6/2017	Hurt et al.	
2006/0162111	A1	7/2006	Miller	
2007/0061988	A1	3/2007	Hurley et al.	

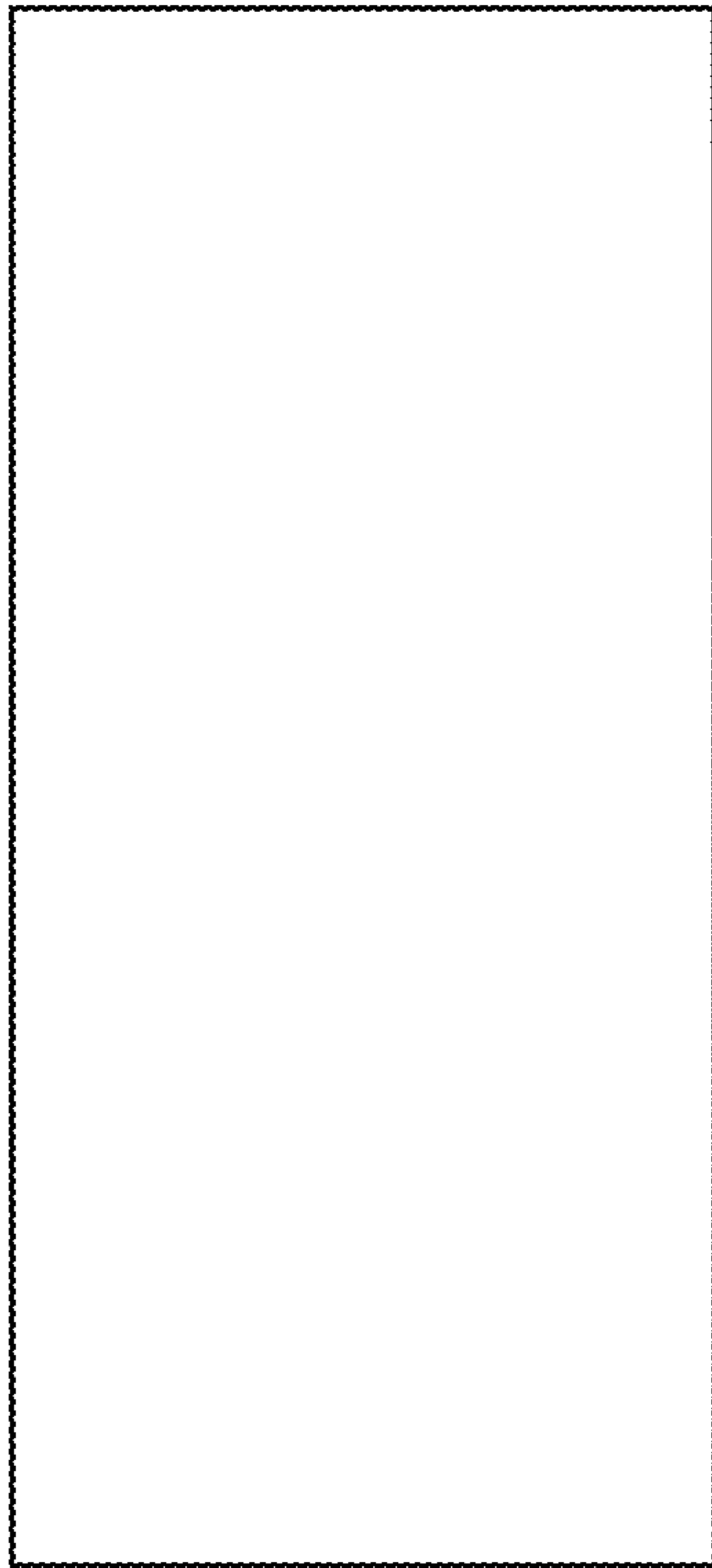
\* cited by examiner



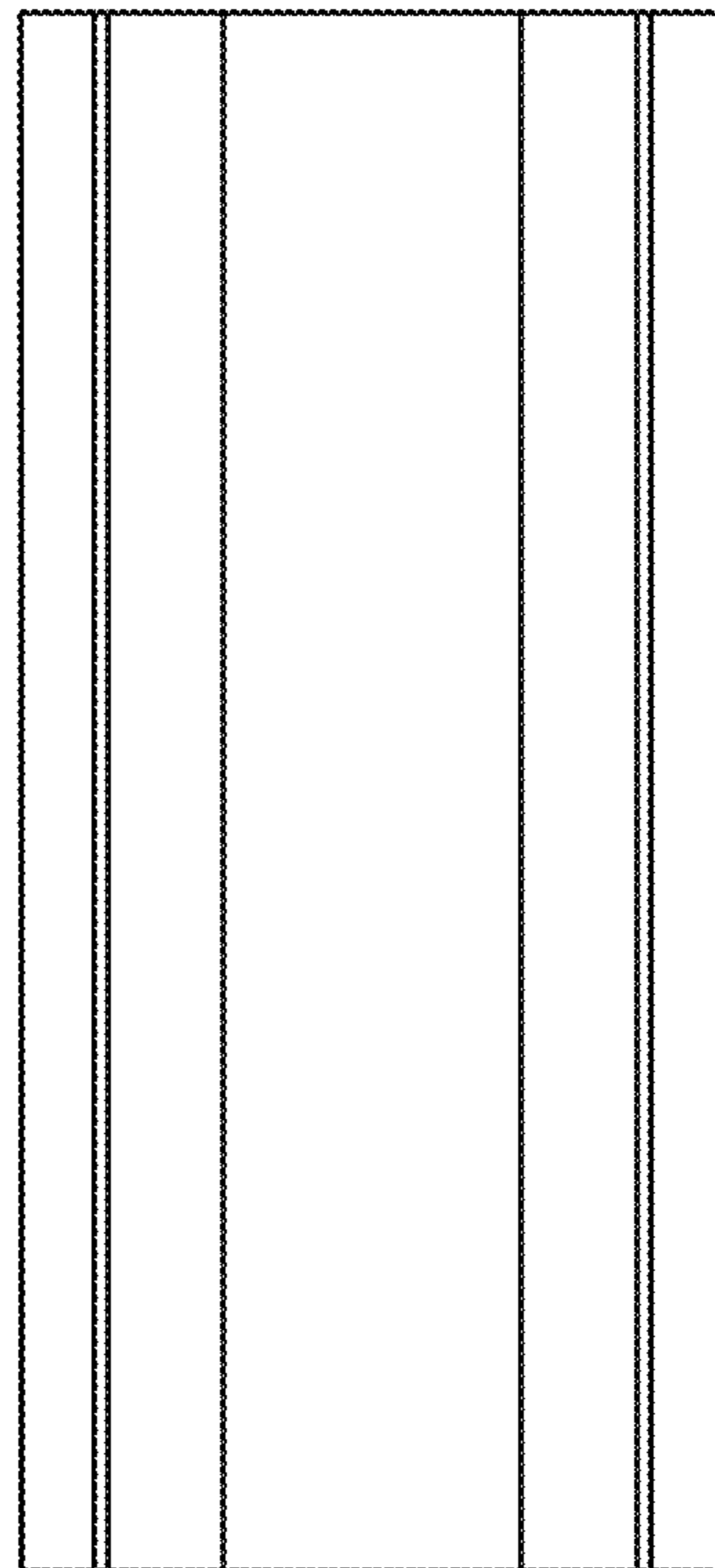
**FIG. 1**



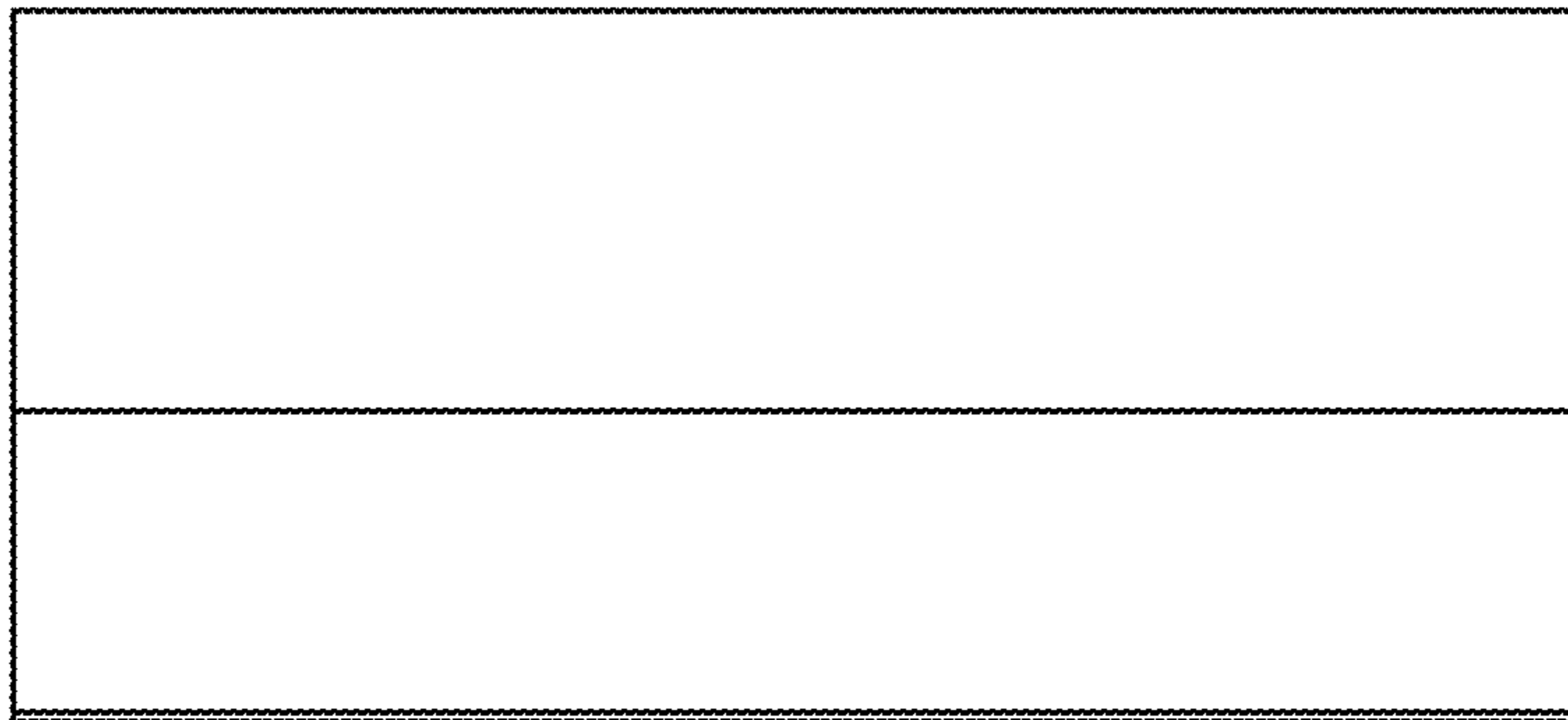
**FIG. 2**



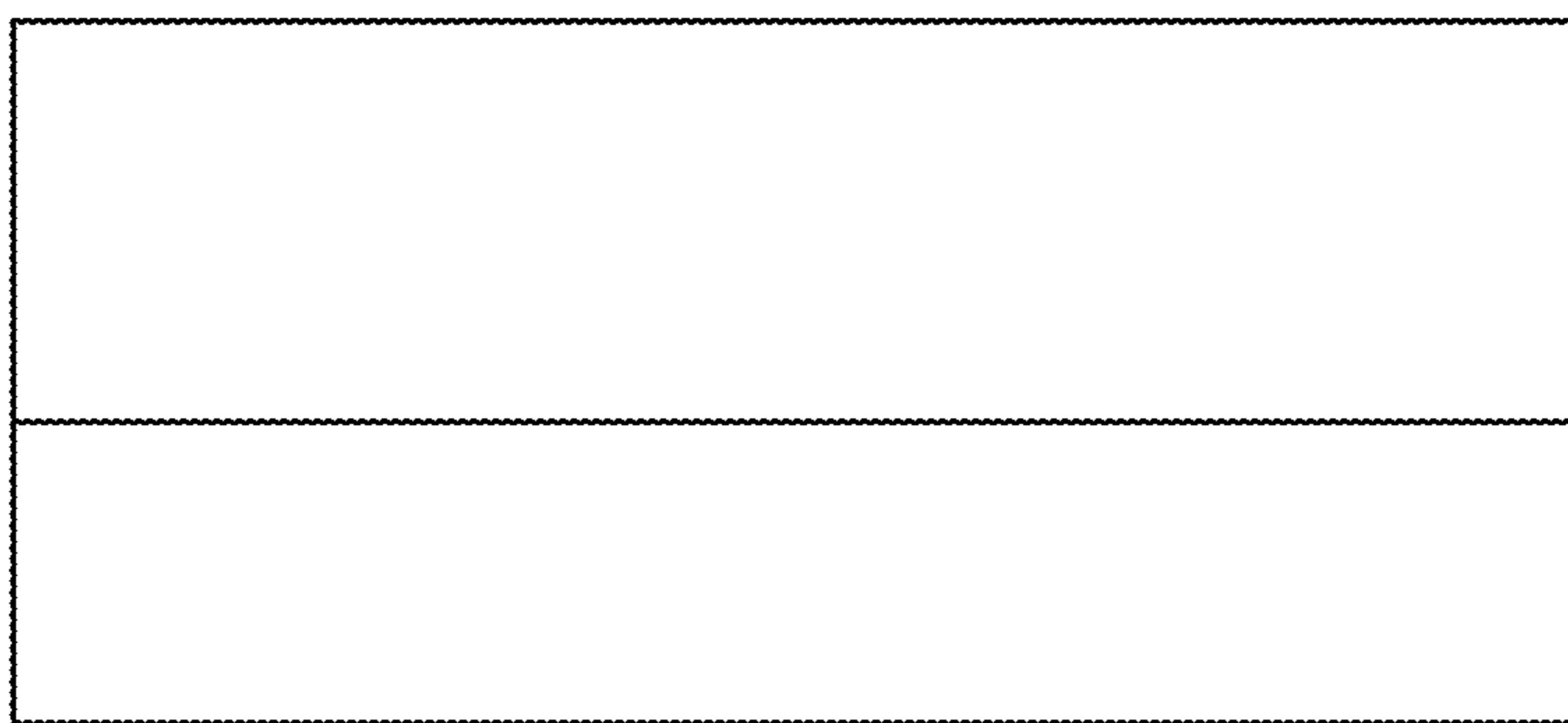
**FIG. 3**



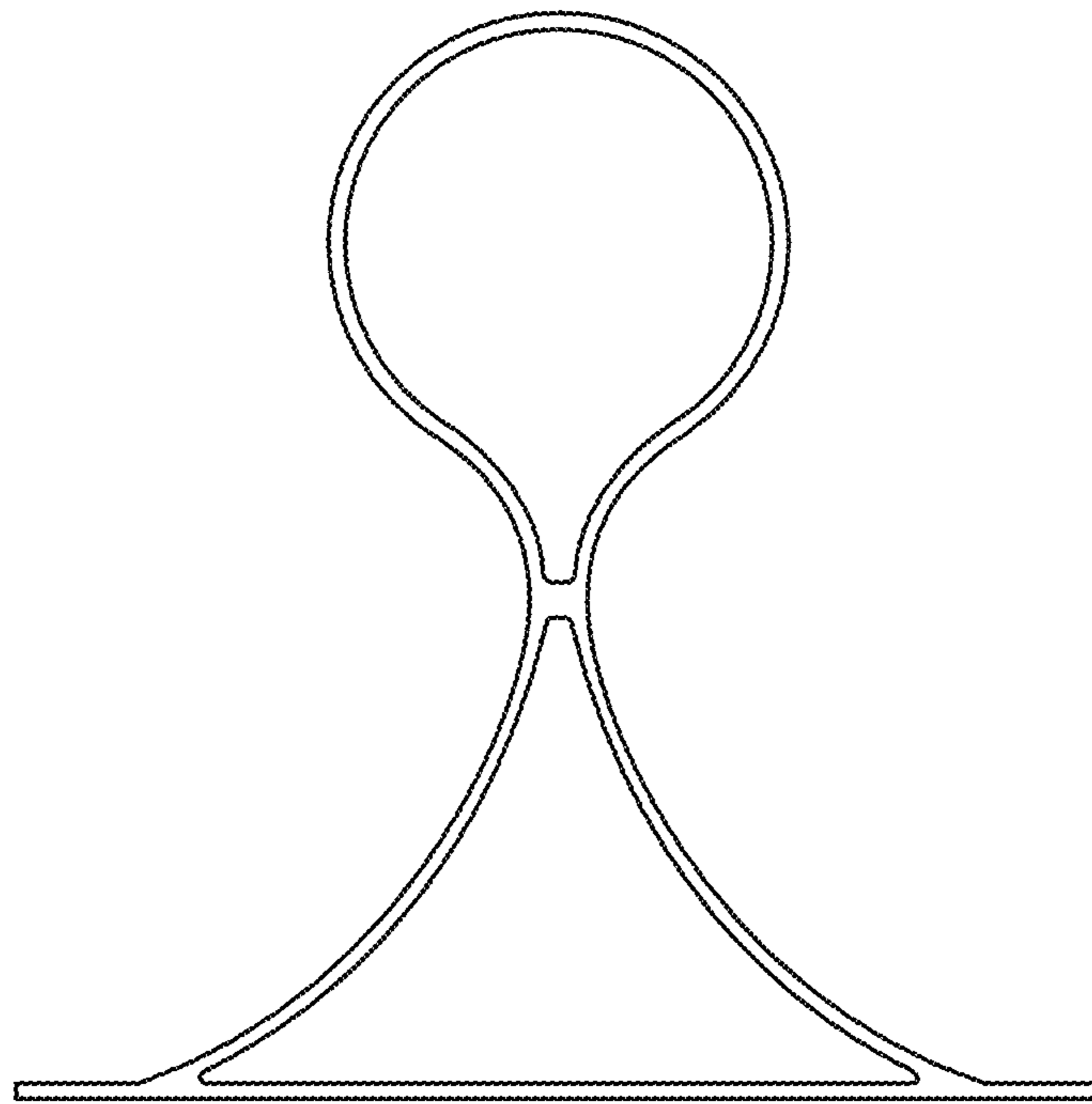
**FIG. 4**



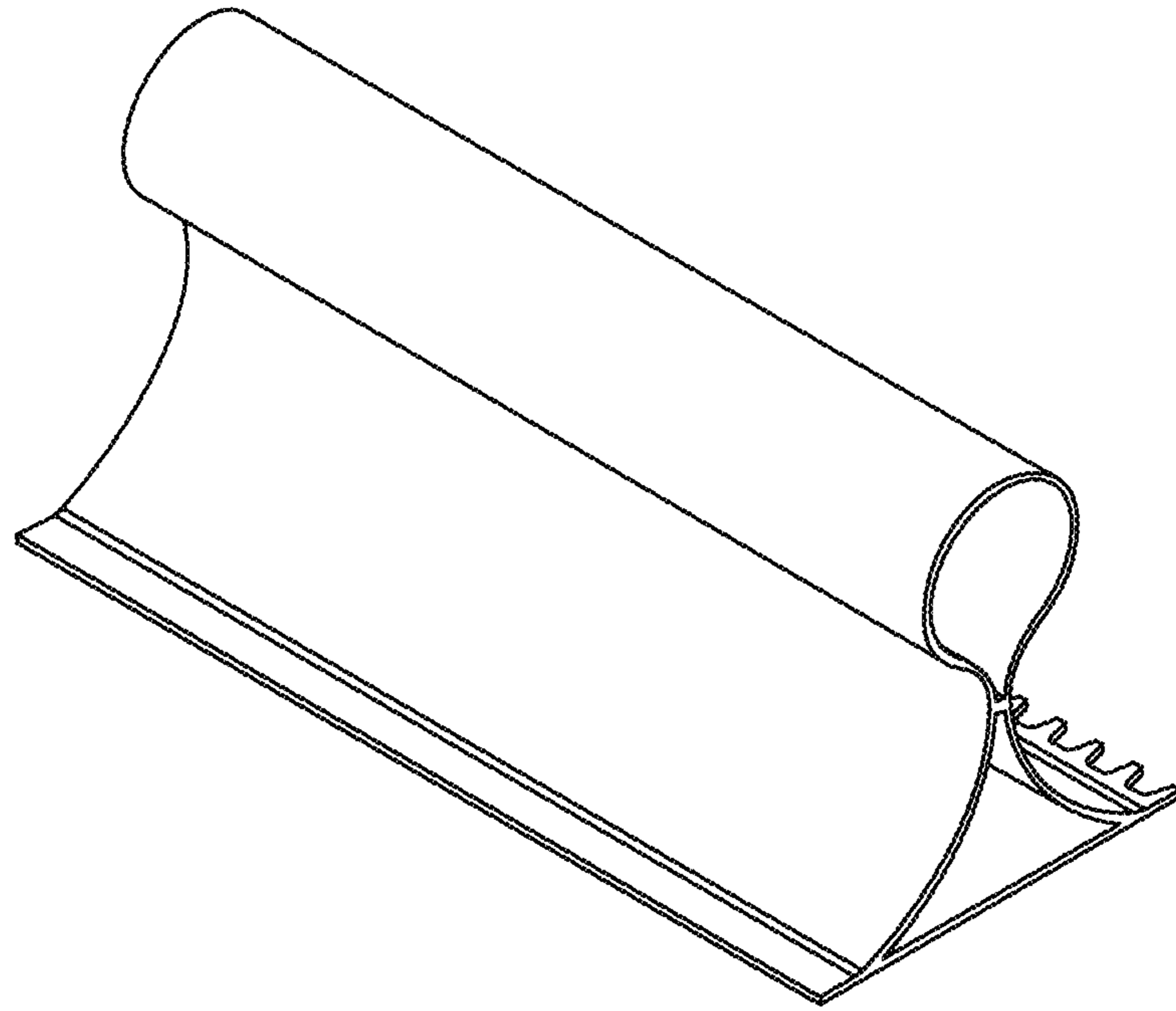
**FIG. 5**



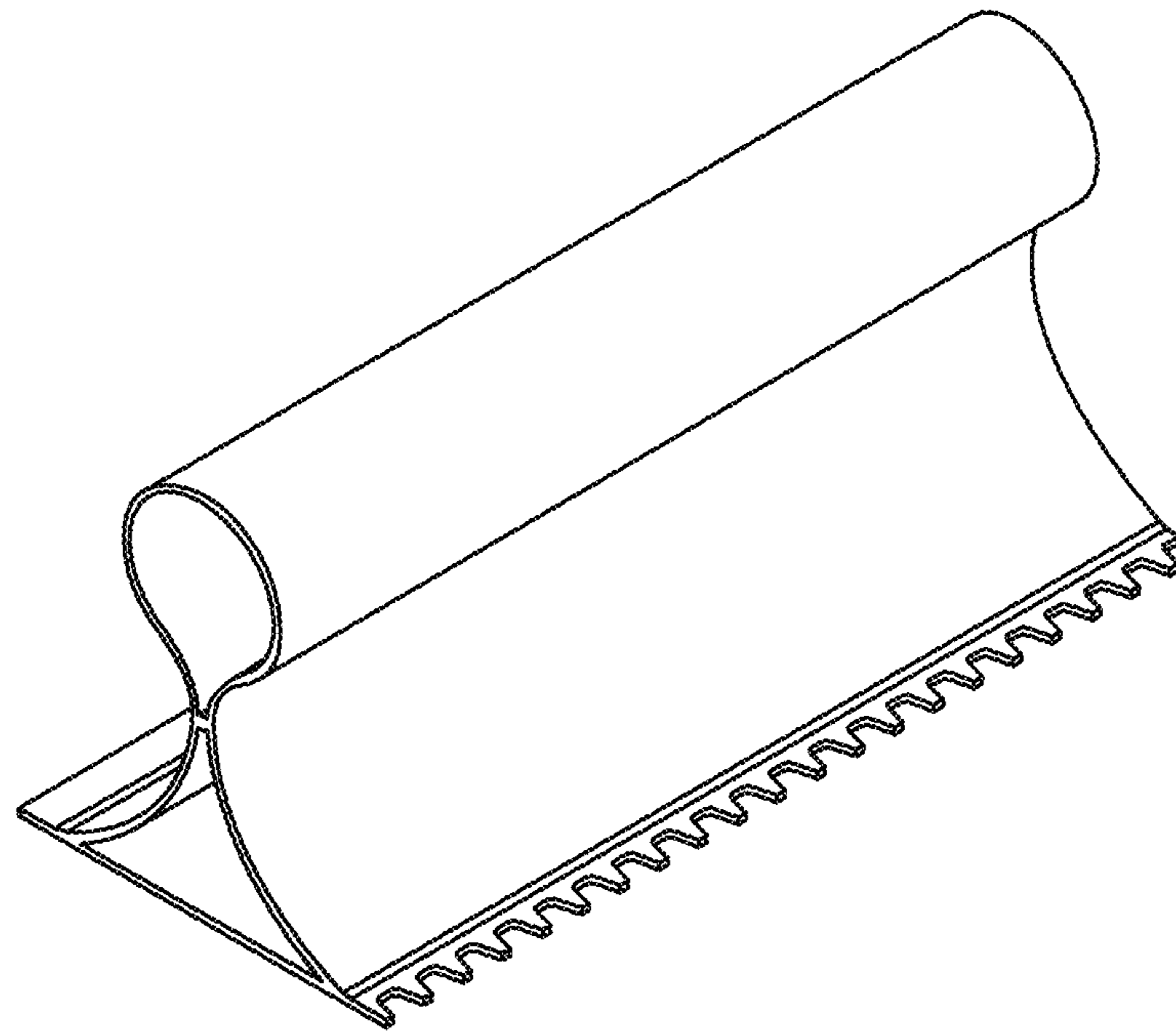
**FIG. 6**



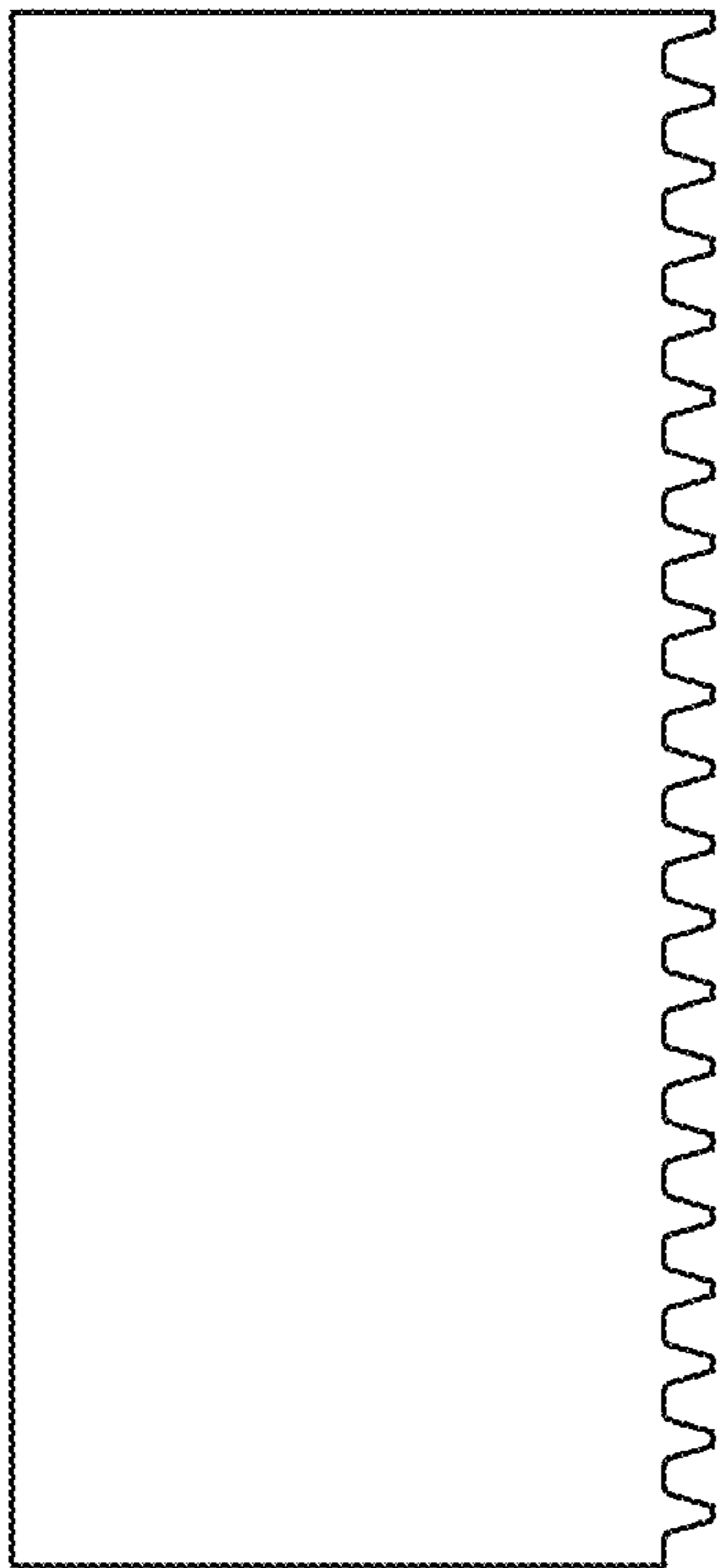
**FIG. 7**



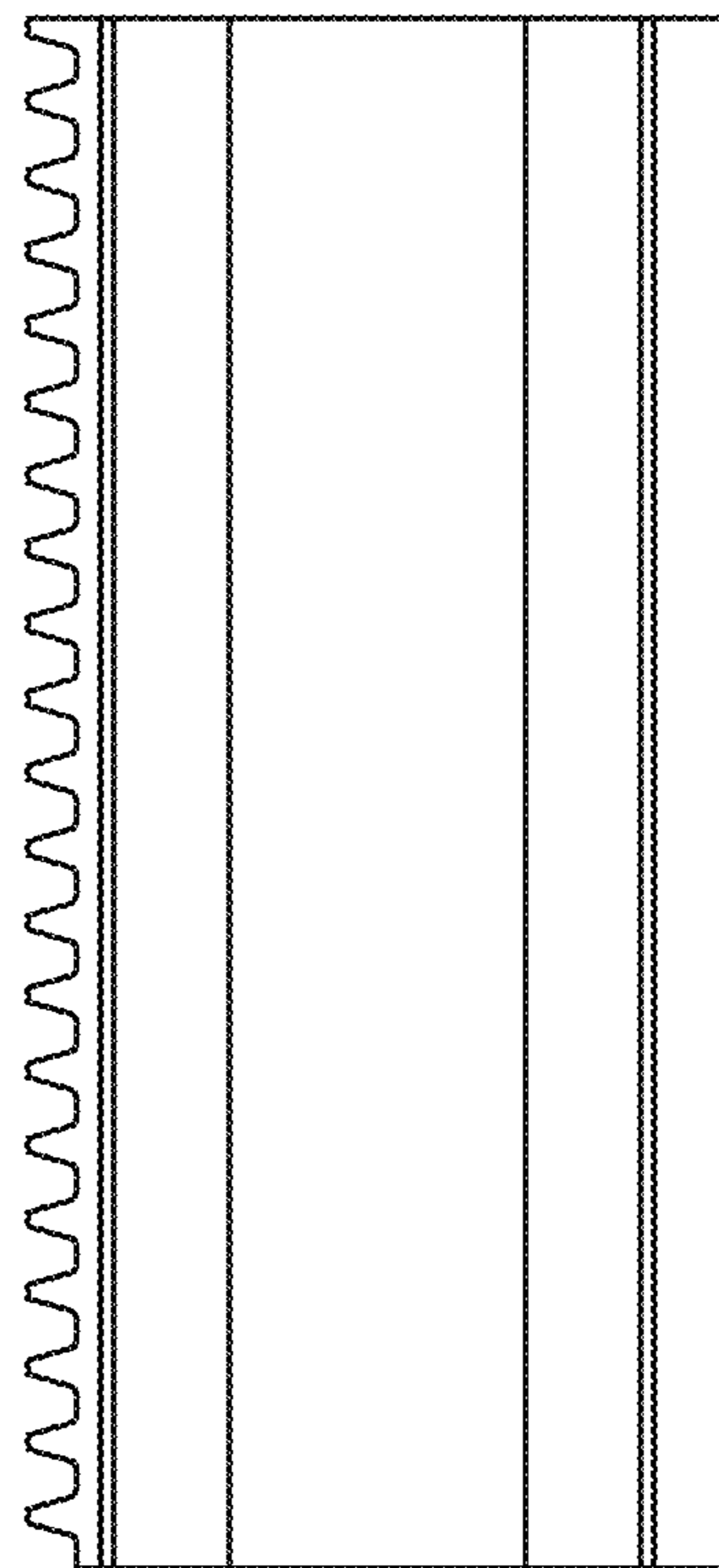
**FIG. 8**



**FIG. 9**



**FIG. 10**

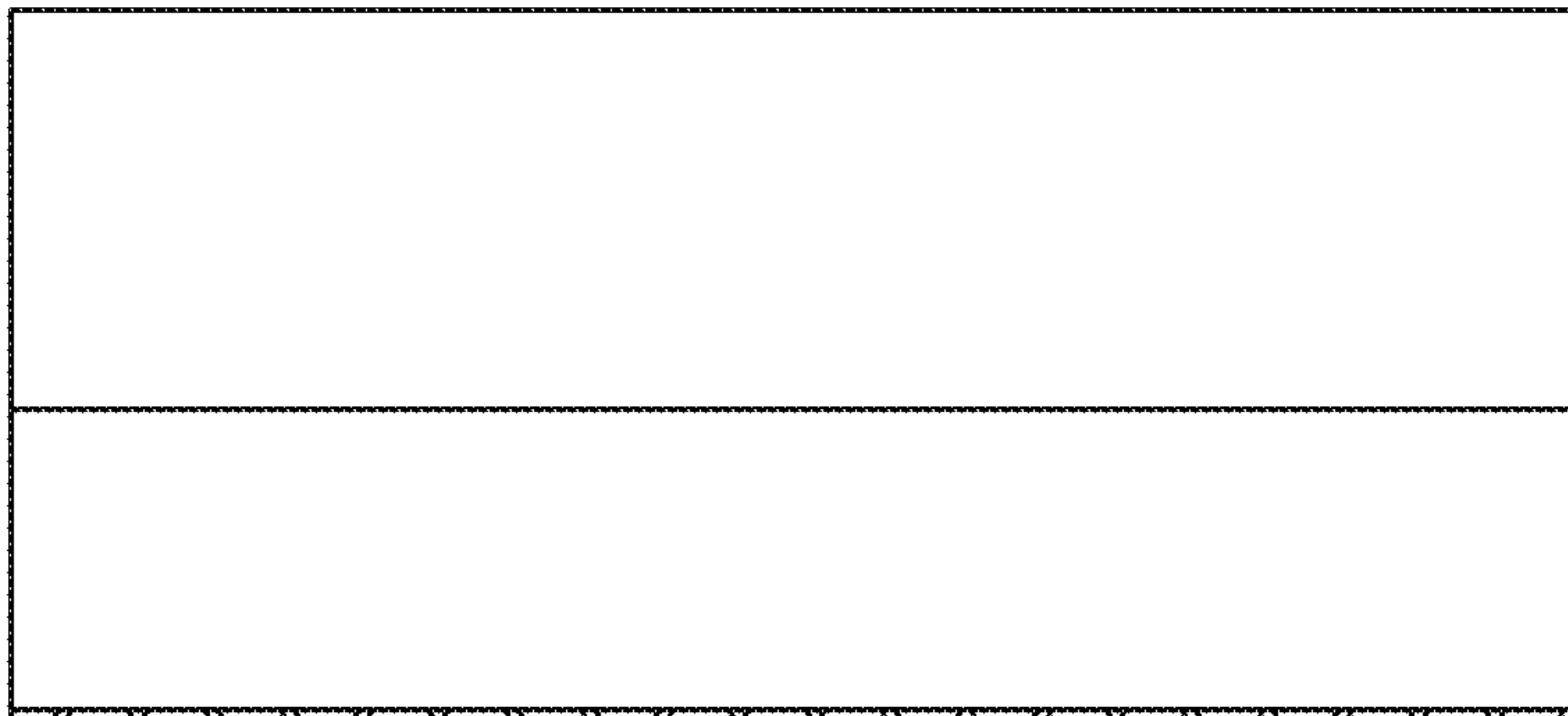


**FIG. 11**

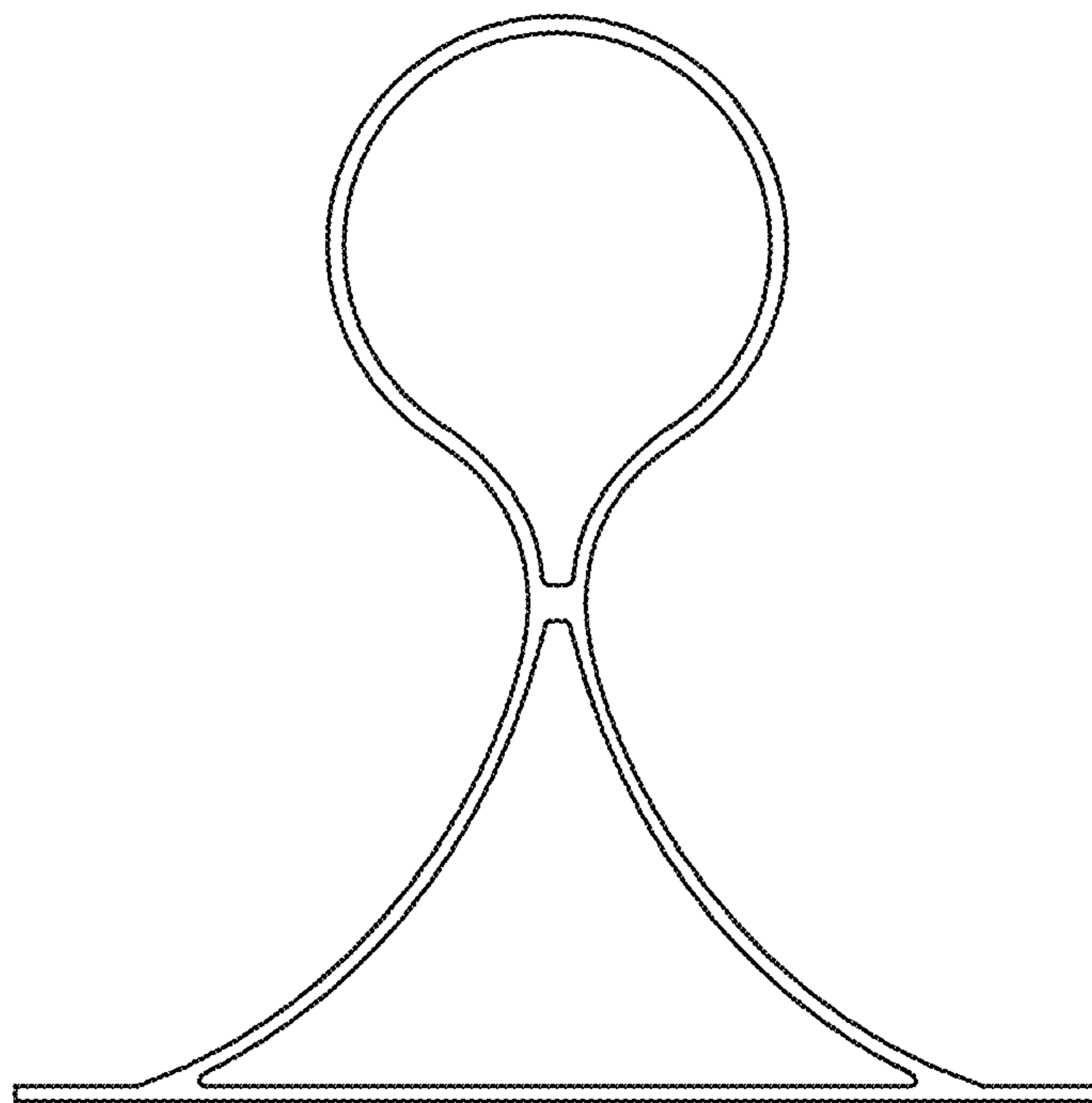




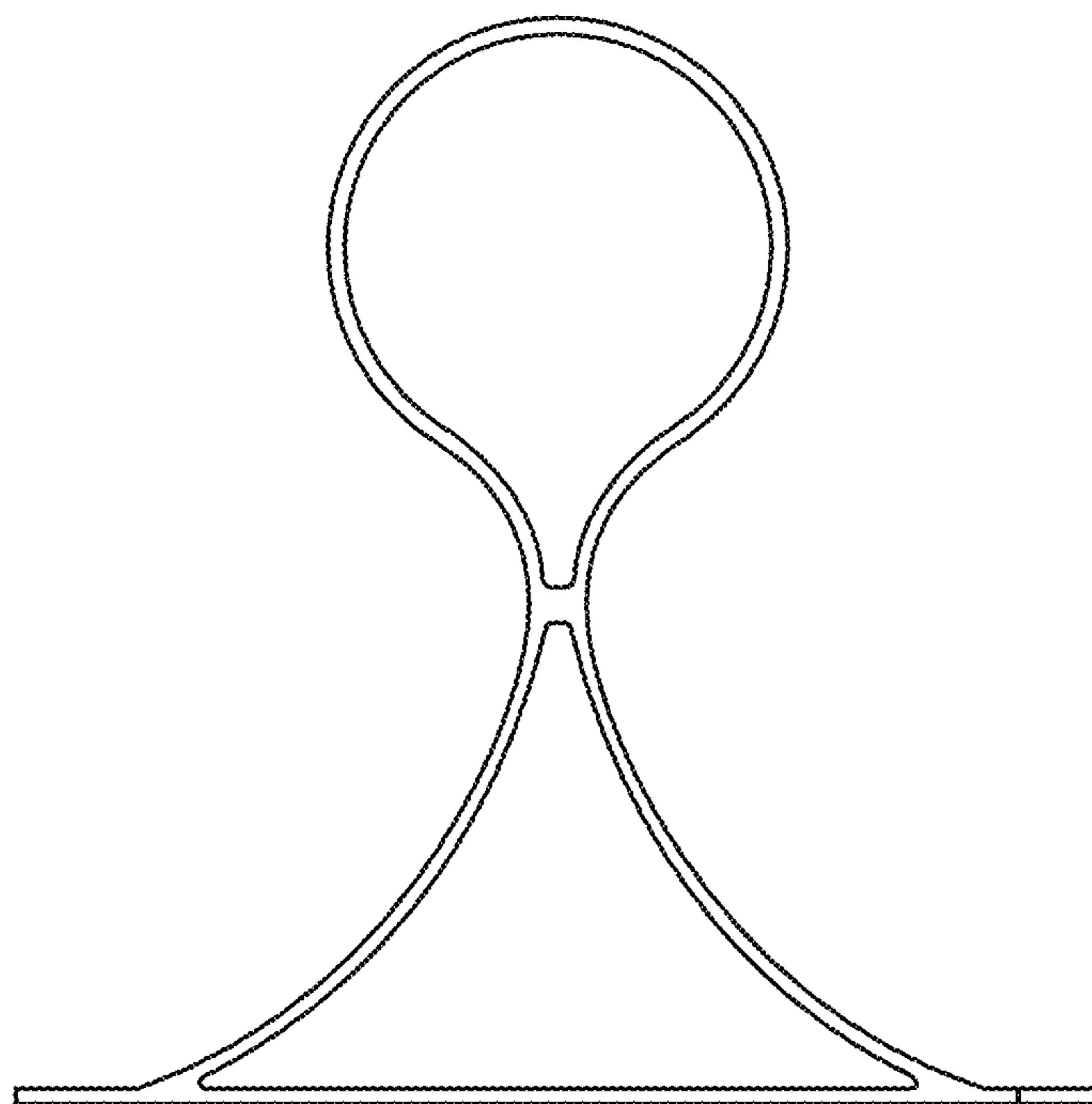
**FIG. 12**



**FIG. 13**



**FIG. 14**



**FIG. 15**