



US00D816446S

(12) **United States Design Patent**  
**Schluter**

(10) **Patent No.:** **US D816,446 S**

(45) **Date of Patent:** **\*\* May 1, 2018**

- (54) **TROWEL**
- (71) Applicant: **Schluter-Systems KG**, Iserlohn (DE)
- (72) Inventor: **Werner Schluter**, Iserlohn (DE)
- (73) Assignee: **Schluter-Systems KG** (DE)
- (\*\*) Term: **15 Years**
- (21) Appl. No.: **29/587,653**
- (22) Filed: **Dec. 14, 2016**
- (30) **Foreign Application Priority Data**  
  - Jun. 15, 2016 (EP) ..... 003191451
- (51) **LOC (11) Cl.** ..... **08-05**
- (52) **U.S. Cl.**  
  - USPC ..... **D8/45**
- (58) **Field of Classification Search**  
  - USPC ..... D8/7, 10, 45, 19, 20; D25/119
  - CPC ..... B05C 17/10; E04F 21/161; E04F 21/162;  
E04F 21/163; E04F 21/06; Y10T  
156/1788

See application file for complete search history.

- (56) **References Cited**  
  - U.S. PATENT DOCUMENTS**
  - 2,086,956 A 7/1937 Long
  - D117,388 S \* 10/1939 Woinarovicz ..... D32/46
  - 2,217,369 A \* 10/1940 Battistone ..... E04F 21/04  
15/235.4
  - 2,322,152 A \* 6/1943 Moran ..... E04F 21/06  
248/176.1
  - 2,425,215 A \* 8/1947 West ..... B05C 17/10  
15/245.1
  - 2,526,401 A \* 10/1950 Oscar ..... E04F 21/06  
15/235.8
  - D169,837 S \* 6/1953 Blander ..... D32/46

- 2,824,330 A \* 2/1958 Williams ..... E04F 21/06  
15/145
- 2,906,115 A \* 9/1959 Pastoret ..... E04F 21/06  
15/235.4
- 3,018,499 A \* 1/1962 Levy ..... E04F 21/04  
15/105
- 3,023,444 A \* 3/1962 Tims, Jr. .... E04F 21/06  
15/235.6
- 3,302,233 A \* 2/1967 Sebastiani ..... E04F 21/04  
15/235.4

(Continued)

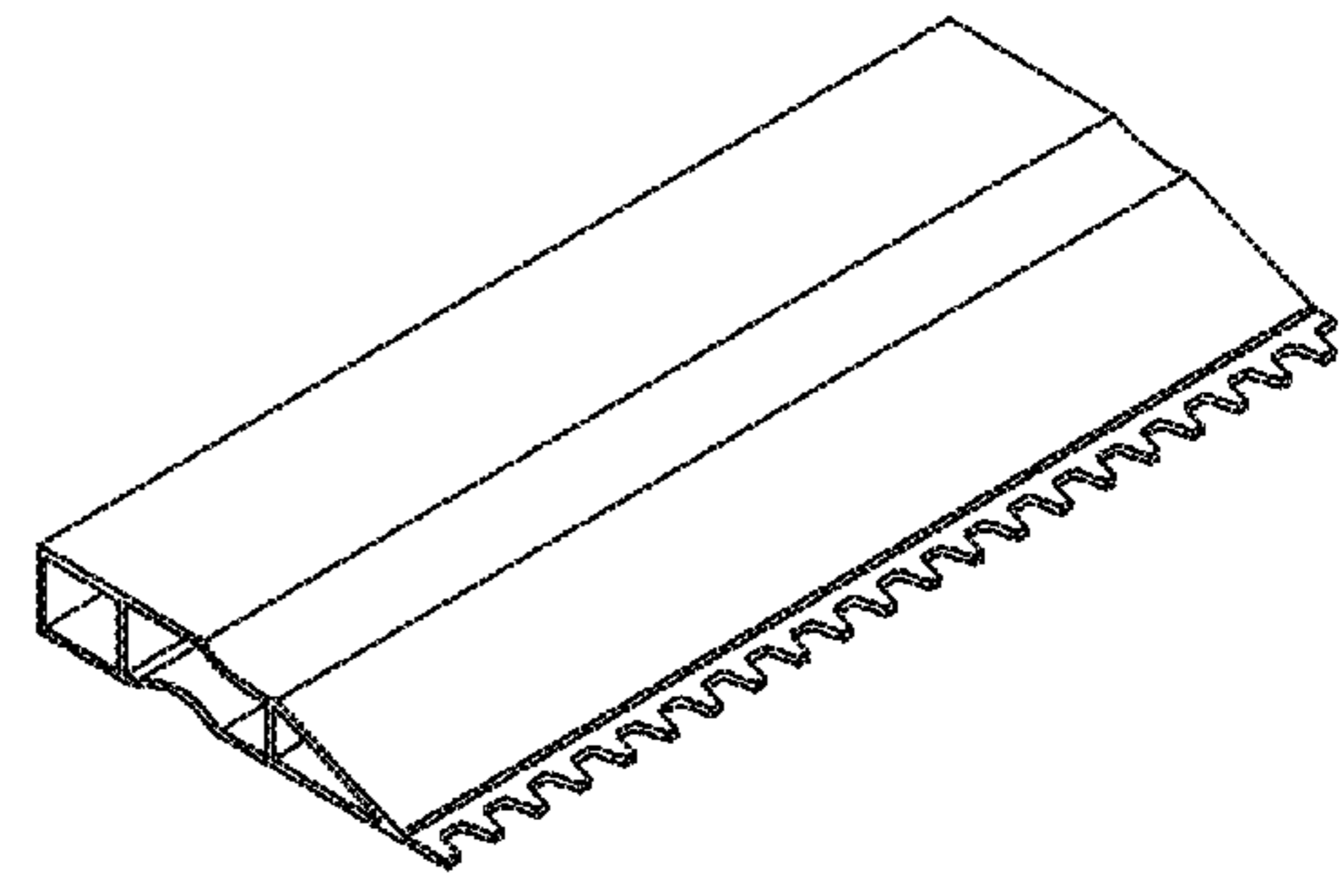
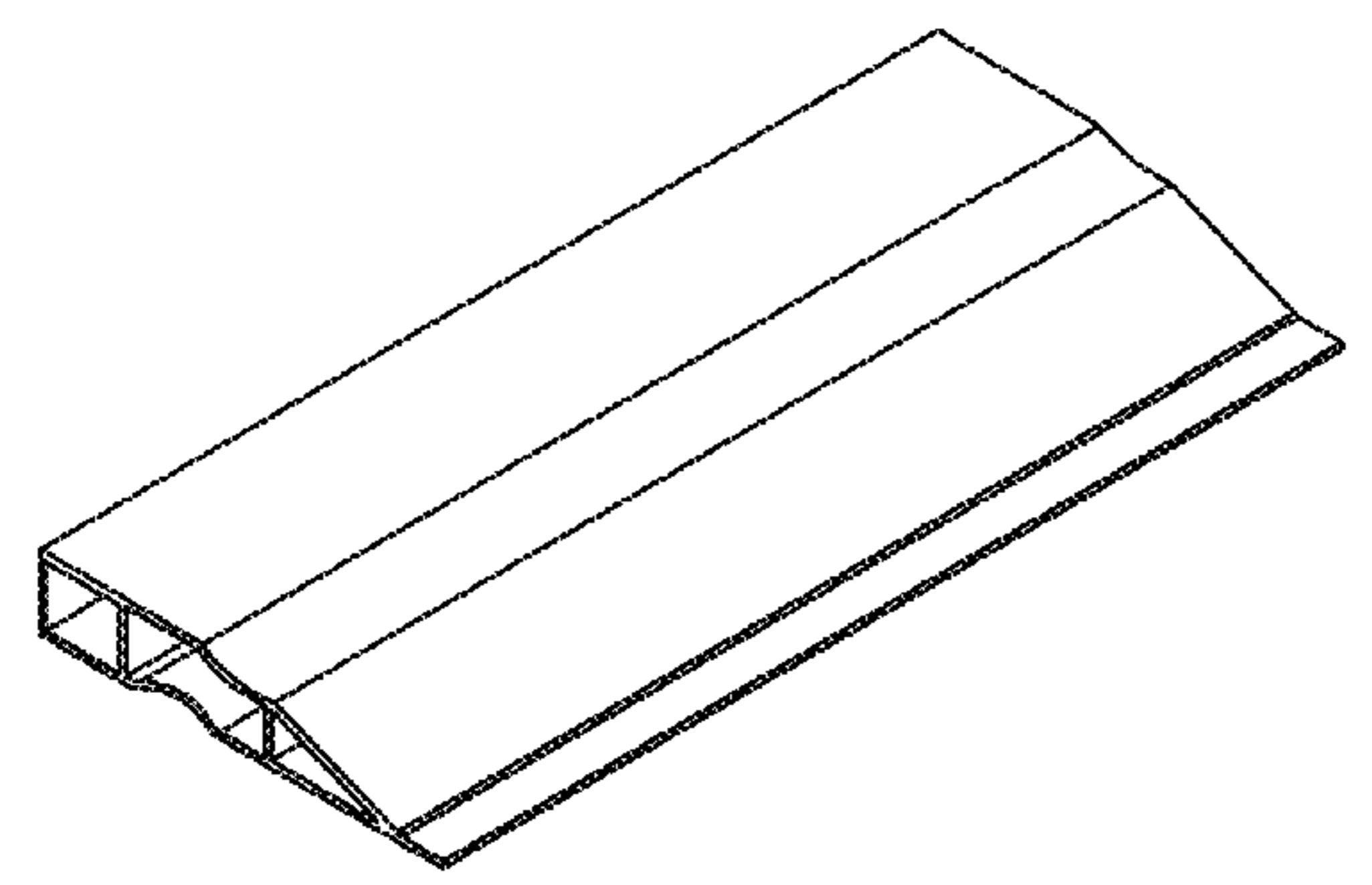
*Primary Examiner* — Sandra S Snapp  
*Assistant Examiner* — Ieisha N Price  
(74) *Attorney, Agent, or Firm* — Thorpe North & Western, LLP

(57) **CLAIM**  
The ornamental design for a trowel, as shown and described.

**DESCRIPTION**

FIG. 1 is a perspective view of a trowel in accordance with my invention;  
FIG. 2 is another perspective view thereof;  
FIG. 3 is a bottom view thereof;  
FIG. 4 is a top view thereof;  
FIG. 5 is a front view thereof;  
FIG. 6 is a rear view thereof;  
FIG. 7 is a side view thereof, an opposing side view being a mirror image thereof;  
FIG. 8 is a perspective view of another embodiment of the trowel in accordance with my invention;  
FIG. 9 is another perspective view of the trowel of FIG. 8;  
FIG. 10 is a bottom view of the trowel of FIG. 8;  
FIG. 11 is a top view of the trowel of FIG. 8;  
FIG. 12 is a front view of the trowel of FIG. 8;  
FIG. 13 is a rear view of the trowel of FIG. 8; and,  
FIG. 14 is a side view of the trowel of FIG. 8, an opposing side view being a mirror image thereof.

**1 Claim, 8 Drawing Sheets**



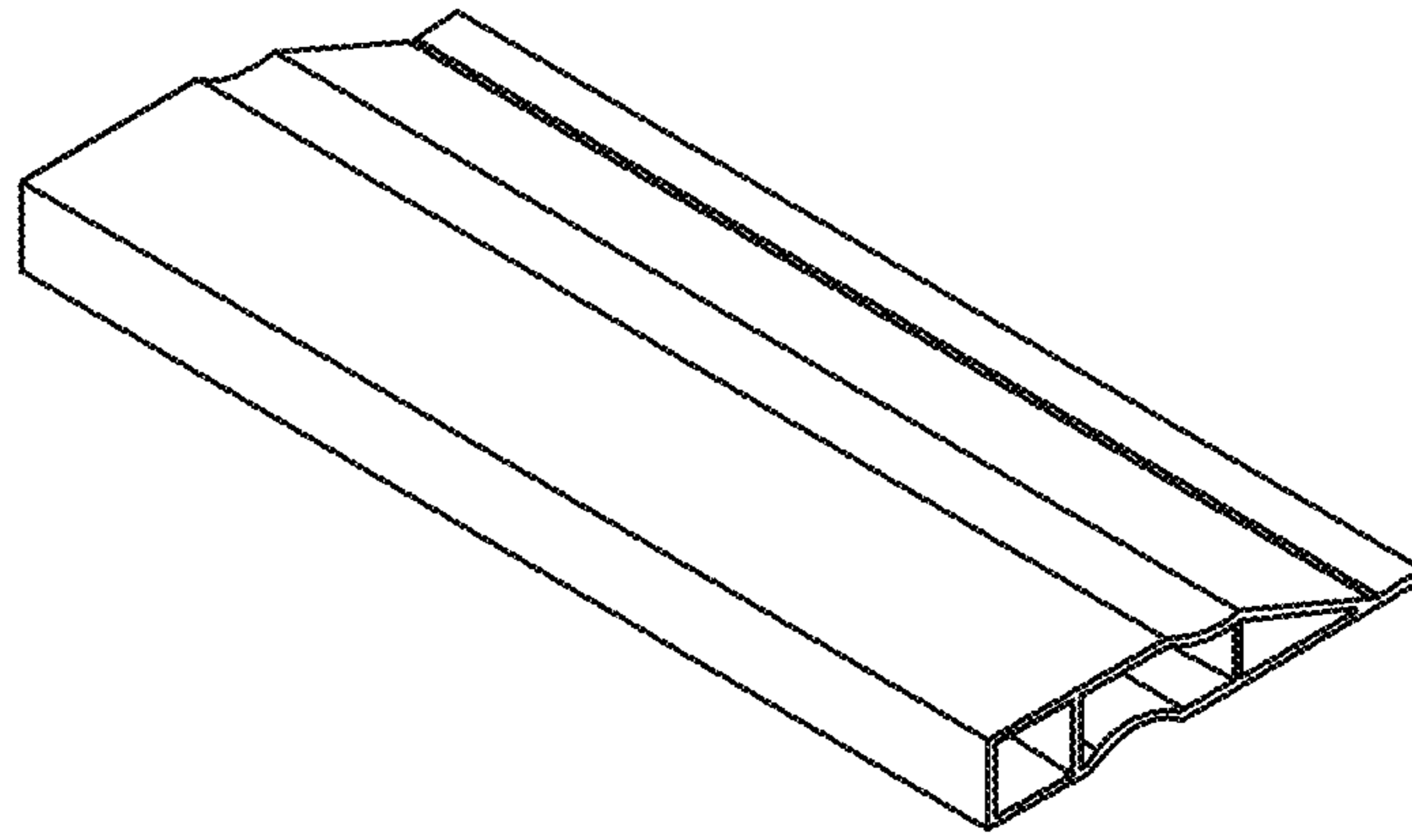
(56)

**References Cited**

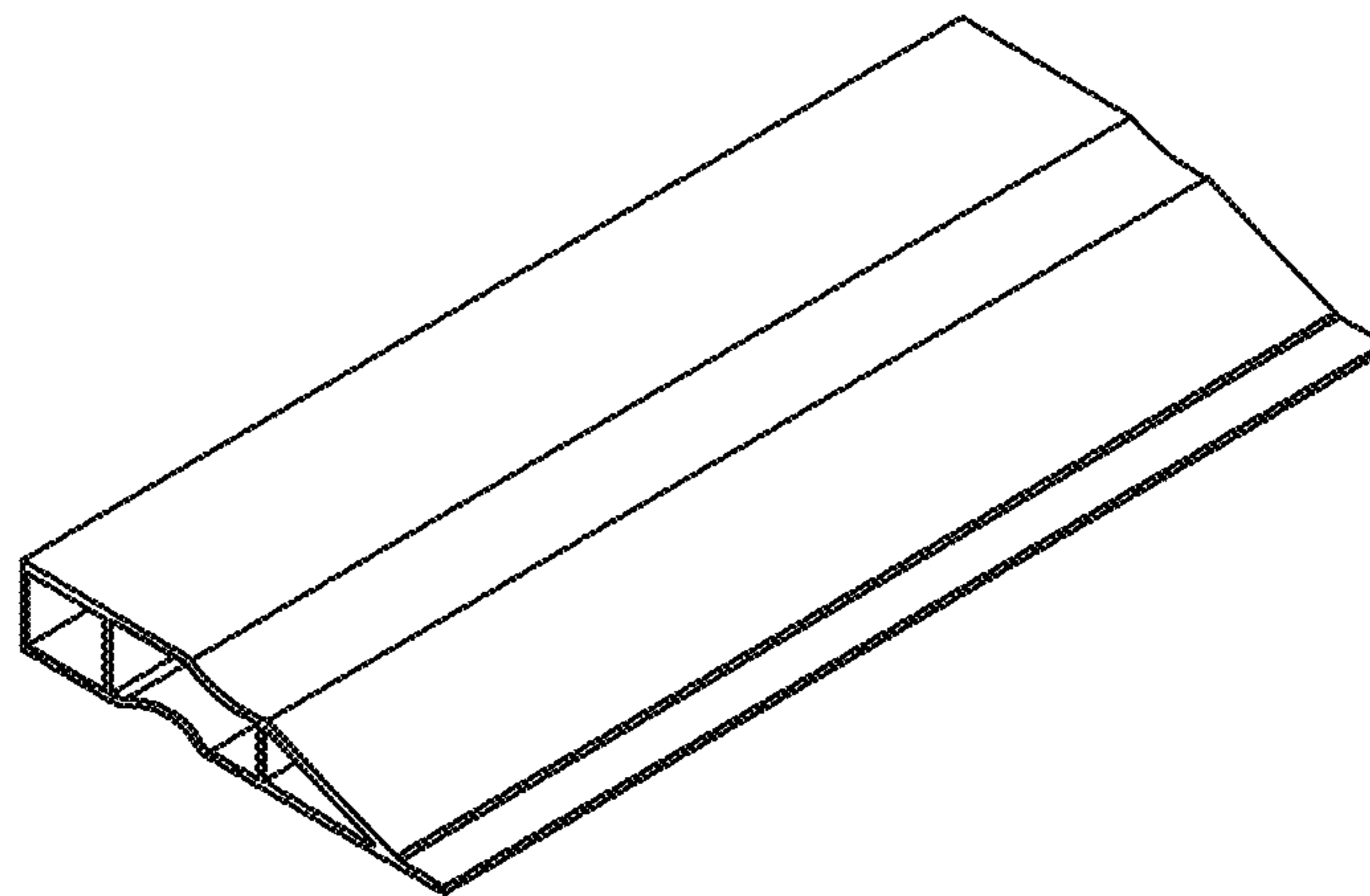
U.S. PATENT DOCUMENTS

3,676,888	A *	7/1972	Akers .....	B44D 3/105 15/144.1
4,048,471	A *	9/1977	Ours .....	B05C 17/10 118/202
D323,271	S	1/1992	Barenthsen	
D323,896	S *	2/1992	Alcazar .....	D25/103
D330,445	S	10/1992	Hay	
D352,432	S *	11/1994	Monroe .....	D32/41
5,524,316	A *	6/1996	Johnson .....	B05C 17/10 15/210.5
D395,385	S *	6/1998	Pipic .....	D8/45
6,178,586	B1 *	1/2001	Jafarmadar .....	B25F 1/00 15/235.4
D529,351	S *	10/2006	Friz .....	D8/45
D577,971	S *	10/2008	Hughett .....	D8/45
D636,656	S *	4/2011	Schaefer .....	D25/122
D753,457	S *	4/2016	Hurt .....	D8/45
D770,267	S *	11/2016	Roan .....	D8/395
D781,693	S *	3/2017	Roan .....	D8/394
D790,312	S *	6/2017	Hurt .....	D8/45
2006/0162111	A1 *	7/2006	Miller .....	E04F 21/162 15/235.6
2007/0061988	A1 *	3/2007	Hurley .....	B25F 1/00 15/235.6

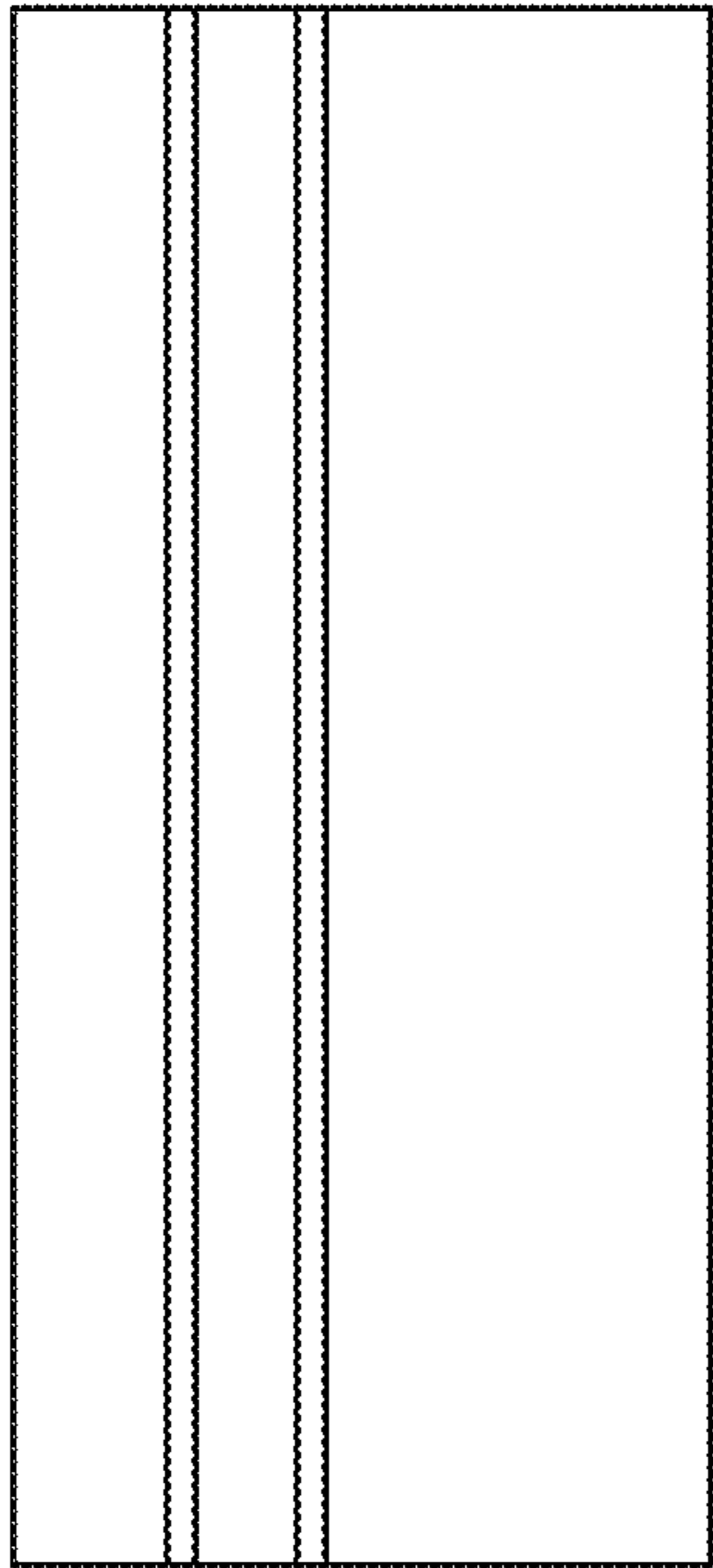
\* cited by examiner



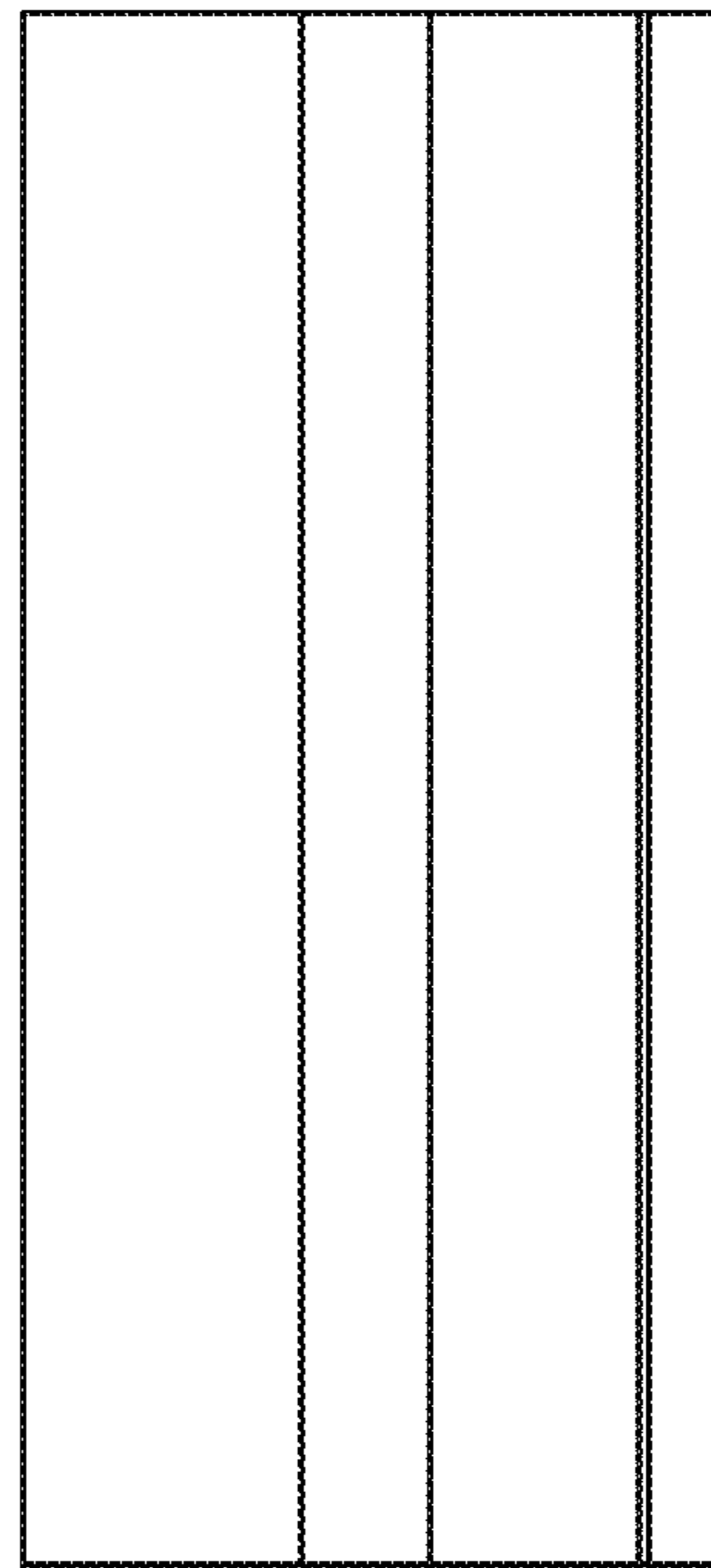
**FIG. 1**



**FIG. 2**



**FIG. 3**



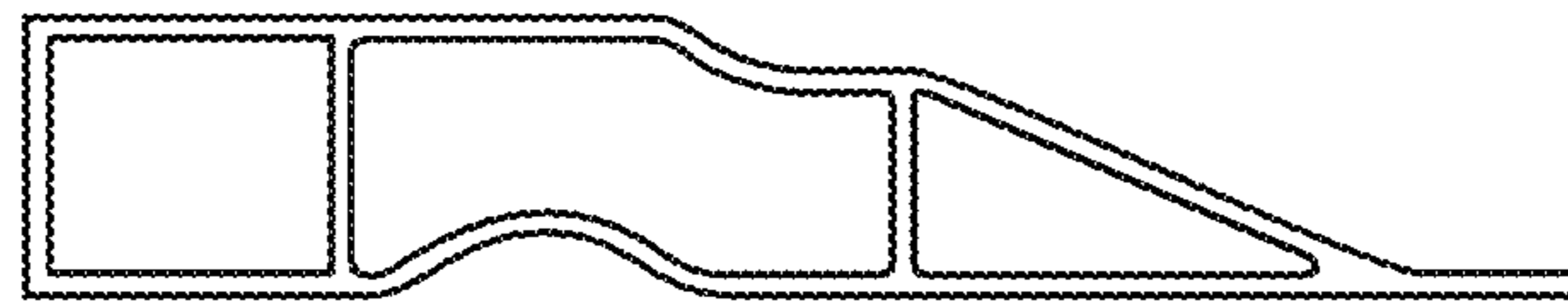
**FIG. 4**



**FIG. 5**



**FIG. 6**



**FIG. 7**

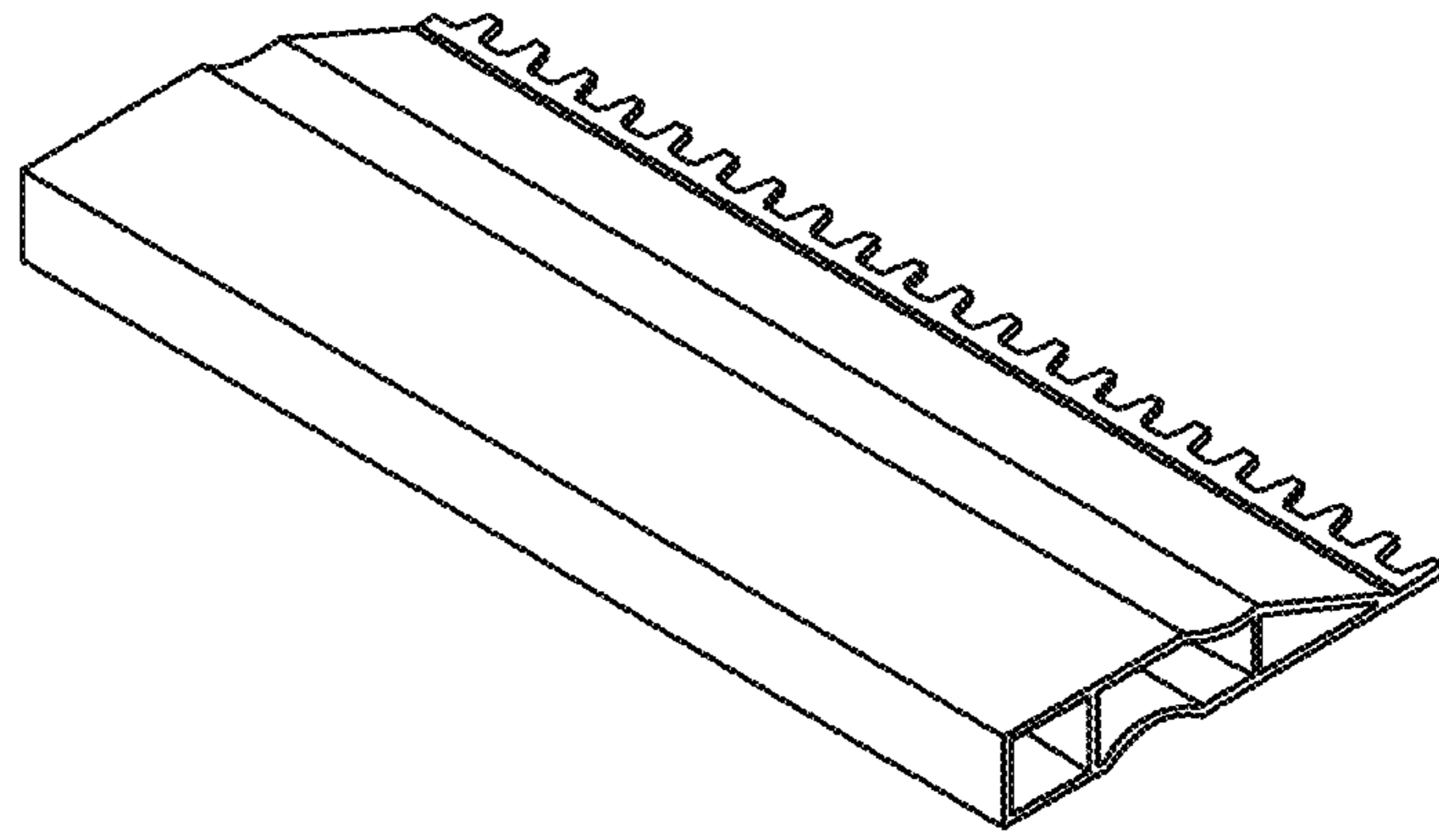


FIG. 8

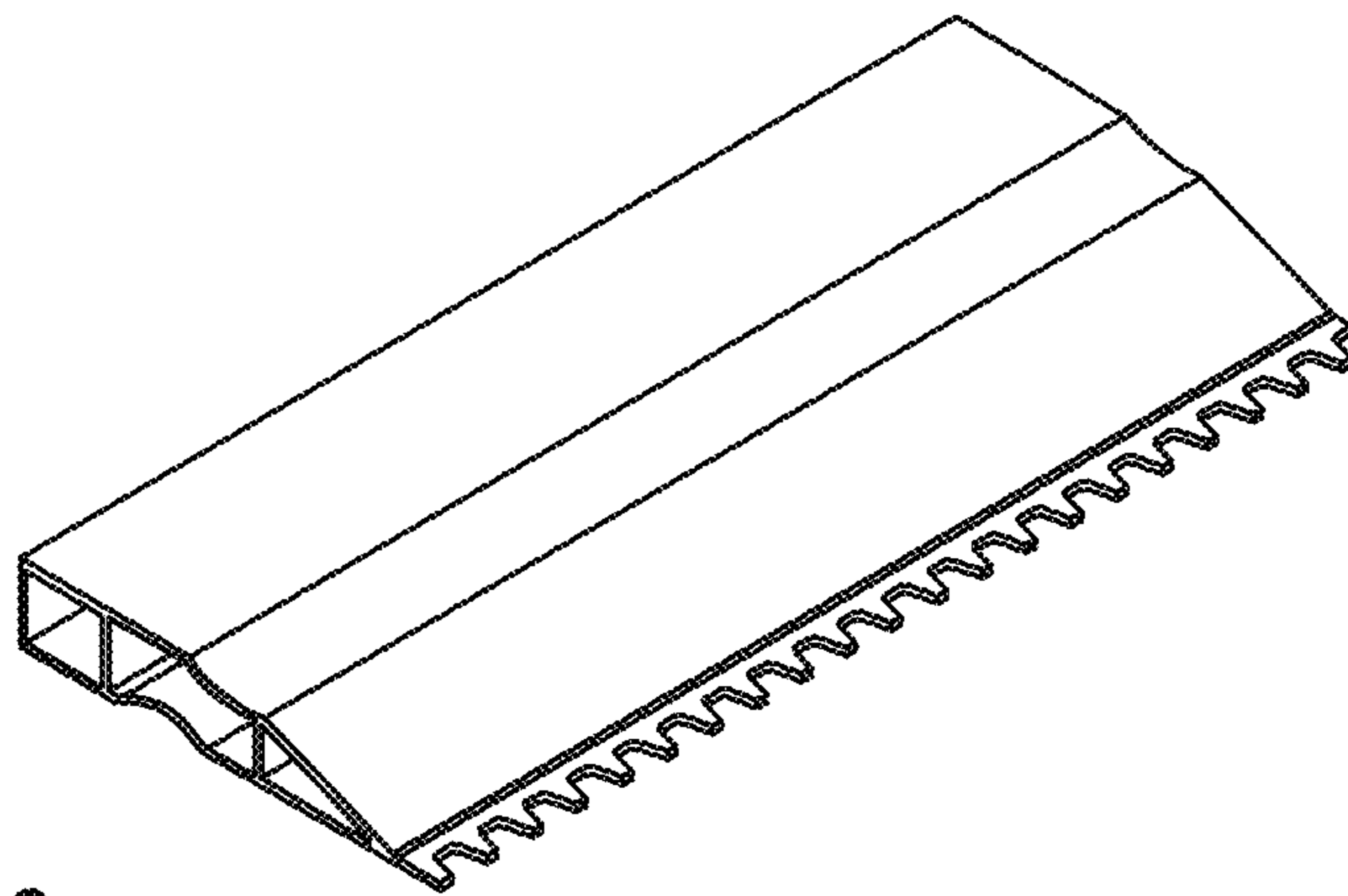
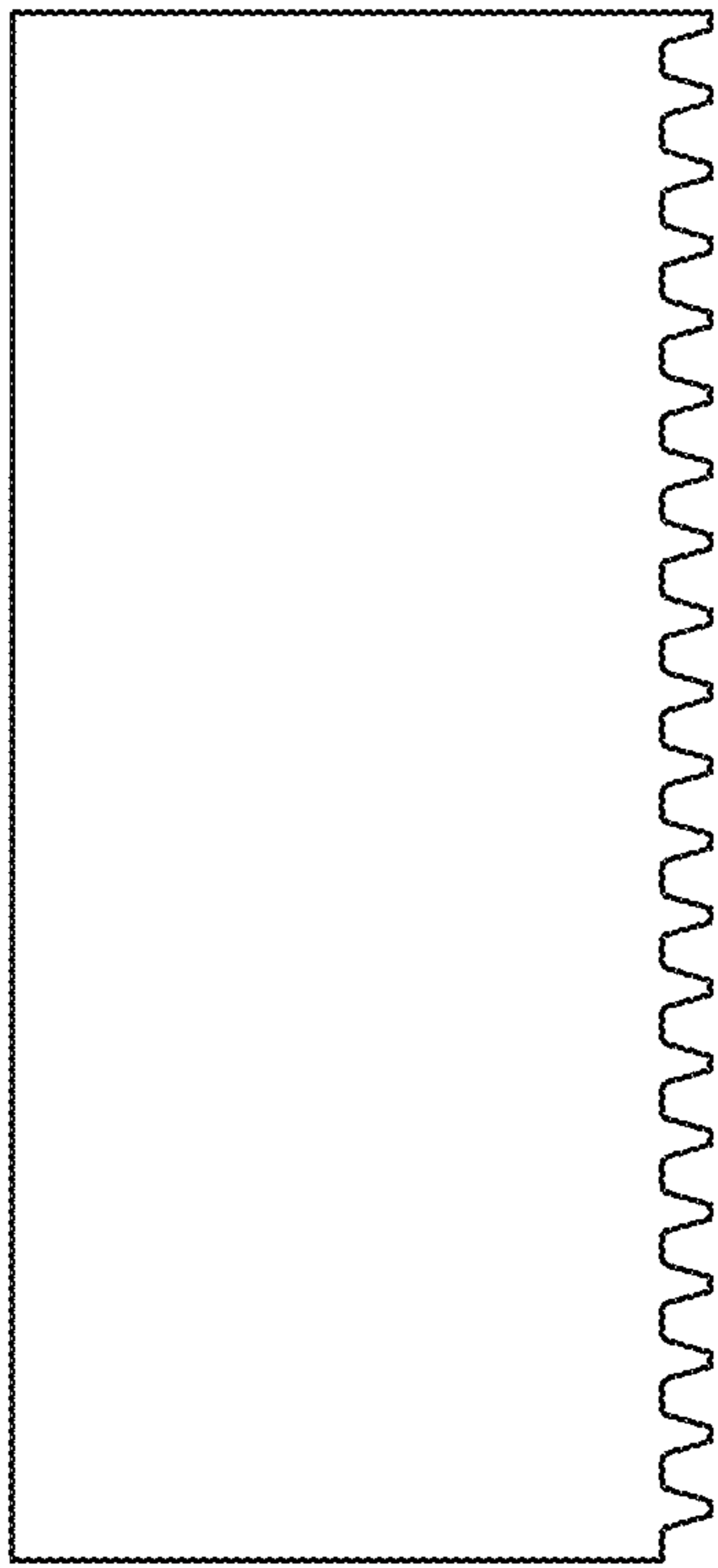
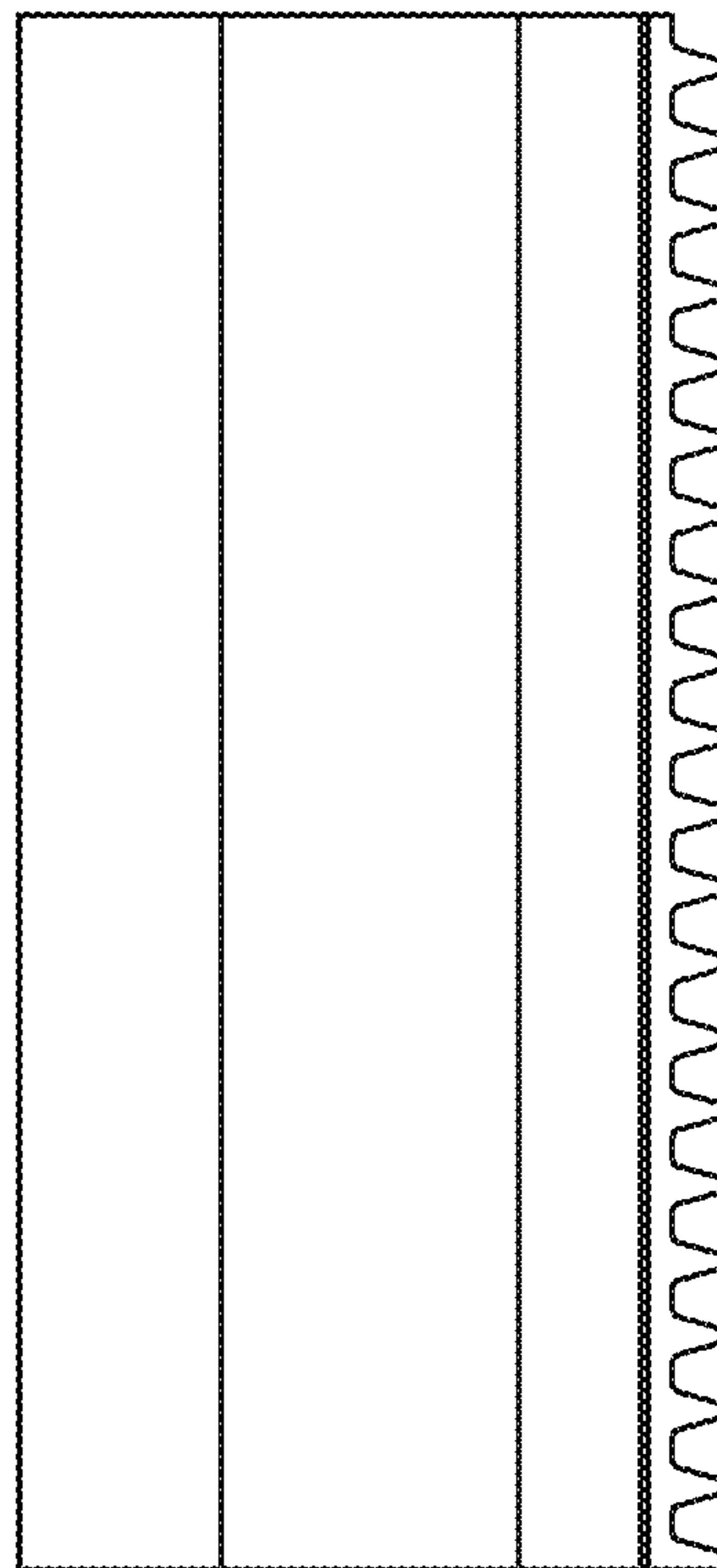


FIG. 9



**FIG. 10**



**FIG. 11**

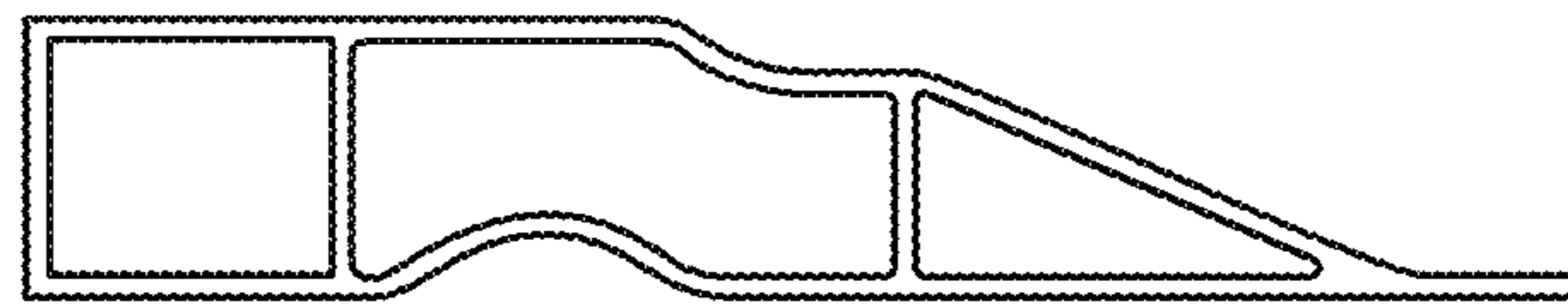




**FIG. 12**



**FIG. 13**



**FIG. 14**