



US00D816441S

(12) **United States Design Patent**
Takla

(10) **Patent No.:** **US D816,441 S**
(45) **Date of Patent:** **** May 1, 2018**

(54) **LEAF SHREDDER ATTACHMENT AND TRIMMER**

(71) Applicant: **Refaat Emil Ghabranious Takla**,
Germantown, MD (US)

(72) Inventor: **Refaat Emil Ghabranious Takla**,
Germantown, MD (US)

(**) Term: **15 Years**

(21) Appl. No.: **29/600,267**

(22) Filed: **Apr. 11, 2017**

(51) **LOC (11) Cl.** **08-01**

(52) **U.S. Cl.**
USPC **D8/8**

(58) **Field of Classification Search**
USPC D15/17; D8/7, 8, 9; 56/12-700
(Continued)

(56) **References Cited**

U.S. PATENT DOCUMENTS

2,809,488 A 10/1957 Sewell
D217,689 S * 5/1970 Donelson, Jr. D15/13
(Continued)

Primary Examiner — Mark Goodman

(74) *Attorney, Agent, or Firm* — Miles & Stockbridge
P.C.

(57) **CLAIM**

The ornamental design for a leaf shredder attachment and trimmer, as shown and described.

DESCRIPTION

FIG. 1 is a perspective view of a leaf shredder attachment according to a first embodiment of the present invention. FIG. 2 is a first-side view of the leaf shredder attachment according to the first embodiment of the present invention. FIG. 3 is a second-side view of the leaf shredder attachment according to the first embodiment of the present invention.

FIG. 4 is a third-side view of the leaf shredder attachment according to the first embodiment of the present invention. FIG. 5 is a fourth-side view of the leaf shredder attachment according to the first embodiment of the present invention. FIG. 6 is a top plan view of the leaf shredder attachment according to the first embodiment of the present invention. FIG. 7 is a bottom plan view of the leaf shredder attachment according to the first embodiment of the present invention. FIG. 8 is a perspective view of a leaf shredder attachment according to a second embodiment of the present invention. FIG. 9 is a first-side view of the leaf shredder attachment according to the second embodiment of the present invention. FIG. 10 is a second-side view of the leaf shredder attachment according to the second embodiment of the present invention. FIG. 11 is a third-side view of the leaf shredder attachment according to the second embodiment of the present invention. FIG. 12 is a fourth-side view of the leaf shredder attachment according to the second embodiment of the present invention. FIG. 13 is a top plan view of the leaf shredder attachment according to the second embodiment of the present invention. FIG. 14 is a bottom plan view of the leaf shredder attachment according to the second embodiment of the present invention. FIG. 15 is a perspective view of a leaf shredder attachment according to a third embodiment of the present invention. FIG. 16 is a first-side view of the leaf shredder attachment according to the third embodiment of the present invention. FIG. 17 is a second-side view of the leaf shredder attachment according to the third embodiment of the present invention. FIG. 18 is a third-side view of the leaf shredder attachment according to the third embodiment of the present invention. FIG. 19 is a fourth-side view of the leaf shredder attachment according to the third embodiment of the present invention. FIG. 20 is a top plan view of the leaf shredder attachment according to the third embodiment of the present invention.

(Continued)

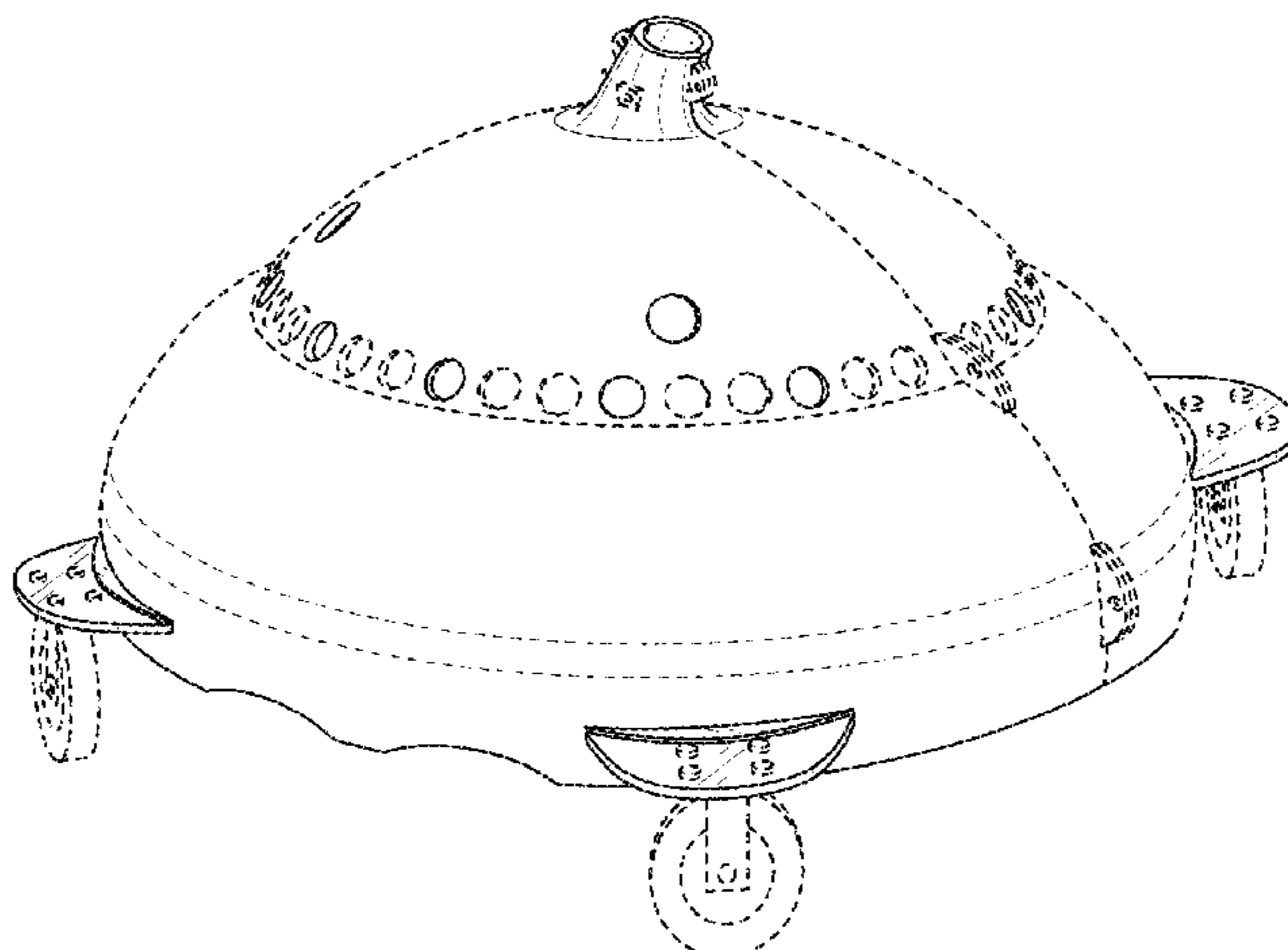


FIG. 21 is a bottom plan view of the leaf shredder attachment according to the third embodiment of the present invention.

FIG. 22 is a perspective view of a trimmer according to a fourth embodiment of the present invention.

FIG. 23 is a bottom plan view of the trimmer according to the fourth embodiment of the present invention.

FIG. 24 is a top plan view of the trimmer according to the fourth embodiment of the present invention.

FIG. 25 is a first-side view of the trimmer according to the fourth embodiment of the present invention.

FIG. 26 is a second-side view of the trimmer according to the fourth embodiment of the present invention.

FIG. 27 is a third-side view of the trimmer according to the fourth embodiment of the present invention.

FIG. 28 is a fourth-side view of the trimmer according to the fourth embodiment of the present invention.

FIG. 29 is a perspective view of a leaf shredder attachment according to a fifth embodiment of the present invention.

FIG. 30 is a first-side view of the leaf shredder attachment according to the fifth embodiment of the present invention.

FIG. 31 is a second-side view of the leaf shredder attachment according to the fifth embodiment of the present invention.

FIG. 32 is a third-side view of the leaf shredder attachment according to the fifth embodiment of the present invention.

FIG. 33 is a fourth-side view of the leaf shredder attachment according to the fifth embodiment of the present invention.

FIG. 34 is a top plan view of the leaf shredder attachment according to the fifth embodiment of the present invention;

and,

FIG. 35 is a bottom plan view of the leaf shredder attachment according to the fifth embodiment of the present invention.

1 Claim, 35 Drawing Sheets

(58) **Field of Classification Search**

CPC A01D 75/206; A01D 34/04167; A01D 34/90; A01D 42/005; A01G 3/002

See application file for complete search history.

(56) **References Cited**

U.S. PATENT DOCUMENTS

3,526,261 A * 9/1970 Ivey, Jr. A01D 42/005
241/101.1
4,081,947 A 4/1978 Szymanis
4,263,771 A 4/1981 Iaboni et al.
4,329,834 A * 5/1982 Hetrick A01D 34/73
56/295
D280,903 S * 10/1985 Barbula D15/17

4,651,422 A * 3/1987 Everts A01D 34/4163
30/347
D299,349 S * 1/1989 Cunning D15/28
4,823,464 A * 4/1989 Gorski A01G 3/062
30/276
4,905,465 A * 3/1990 Jones A01D 34/4168
30/276
4,928,457 A * 5/1990 Laperle A01D 34/416
30/276
4,967,546 A * 11/1990 Forbush A01D 42/005
56/255
5,020,309 A * 6/1991 Hopkins A01D 42/005
15/330
5,077,898 A * 1/1992 Hartwig A01D 34/90
30/276
5,115,870 A * 5/1992 Byrne A01D 34/416
172/15
D347,773 S * 6/1994 Nash D8/8
D349,221 S * 8/1994 Griffin D8/8
D350,463 S * 9/1994 Hardesty, Jr. D8/8
5,423,126 A * 6/1995 Byrne A01D 34/416
30/276
D376,741 S * 12/1996 Sadlowski, Sr. D8/1
D382,779 S * 8/1997 Meisner D8/8
D392,164 S * 3/1998 Bomgaars, Jr. D8/9
5,842,651 A * 12/1998 Smothers A01G 3/002
241/100
5,878,556 A * 3/1999 Franz A01D 34/416
172/15
D417,597 S * 12/1999 Sutliff D8/8
6,370,854 B1 * 4/2002 Moore A01D 34/001
56/16.7
D463,230 S * 9/2002 Robson D8/8
6,665,941 B1 12/2003 Teeple
6,665,942 B2 12/2003 Richardson et al.
6,757,980 B2 * 7/2004 Arsenault F16P 1/02
30/276
6,892,461 B2 * 5/2005 Peterson A01D 34/4167
30/276
6,941,738 B1 * 9/2005 Standish A01D 34/4167
56/12.7
D536,226 S * 2/2007 Yates D8/7
7,284,331 B2 * 10/2007 Paddock A01D 34/828
30/276
D584,581 S * 1/2009 Bradford D8/8
7,963,041 B1 * 6/2011 Smith A01D 34/416
30/286
8,590,166 B1 * 11/2013 Albertson A01D 75/206
30/276
8,918,999 B2 * 12/2014 Proulx A01D 34/4165
30/276
9,433,146 B2 * 9/2016 Hutchins A01D 34/4167
2004/0020060 A1 * 2/2004 Peterson A01D 34/4167
30/276
2004/0148783 A1 * 8/2004 Cashman A01D 34/416
30/276
2011/0179757 A1 * 7/2011 Scott-Stanbridge . A01D 34/695
56/12.8
2017/0135282 A1 * 5/2017 Takla A01D 34/4167

* cited by examiner

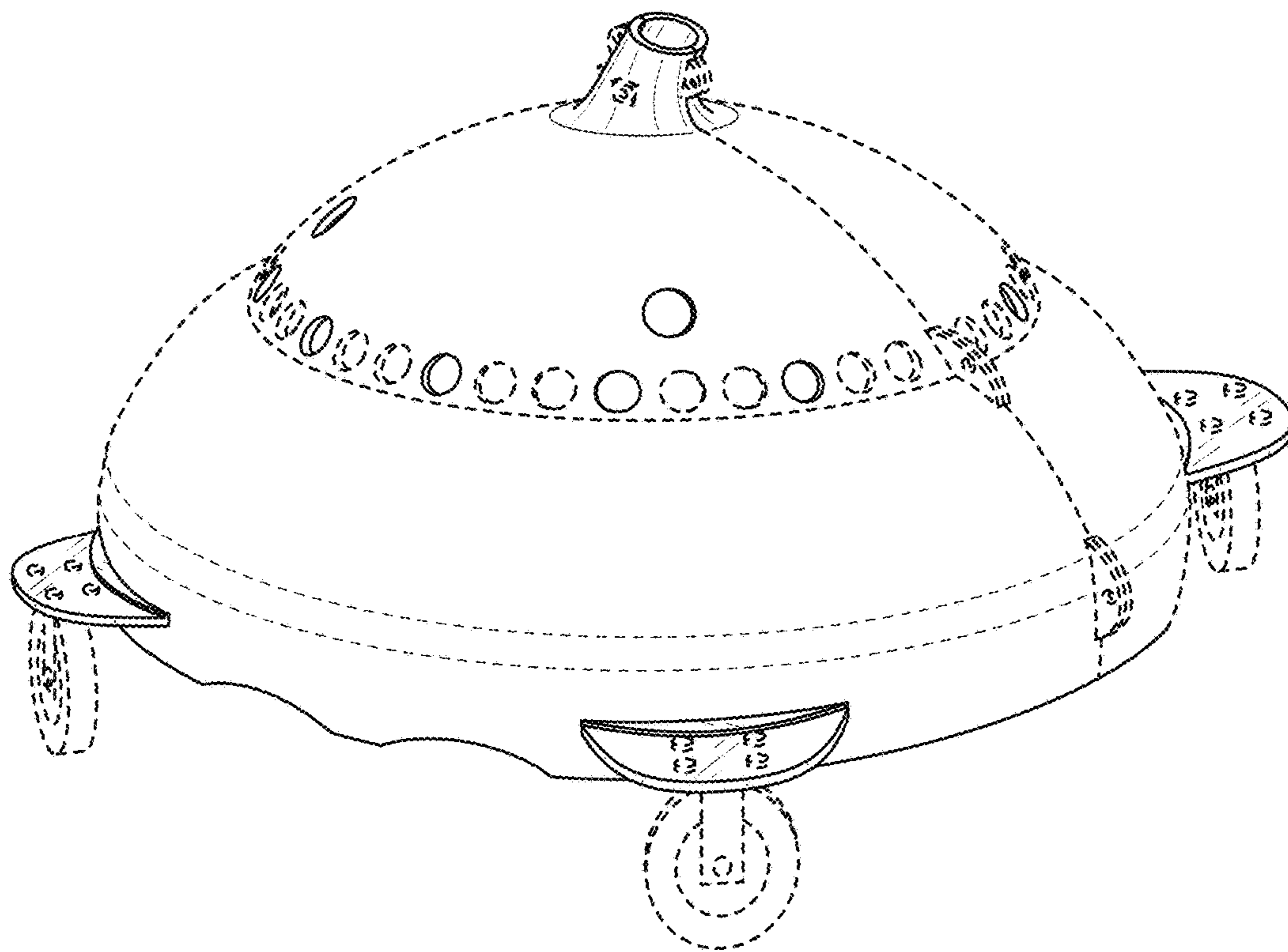


FIG. 1

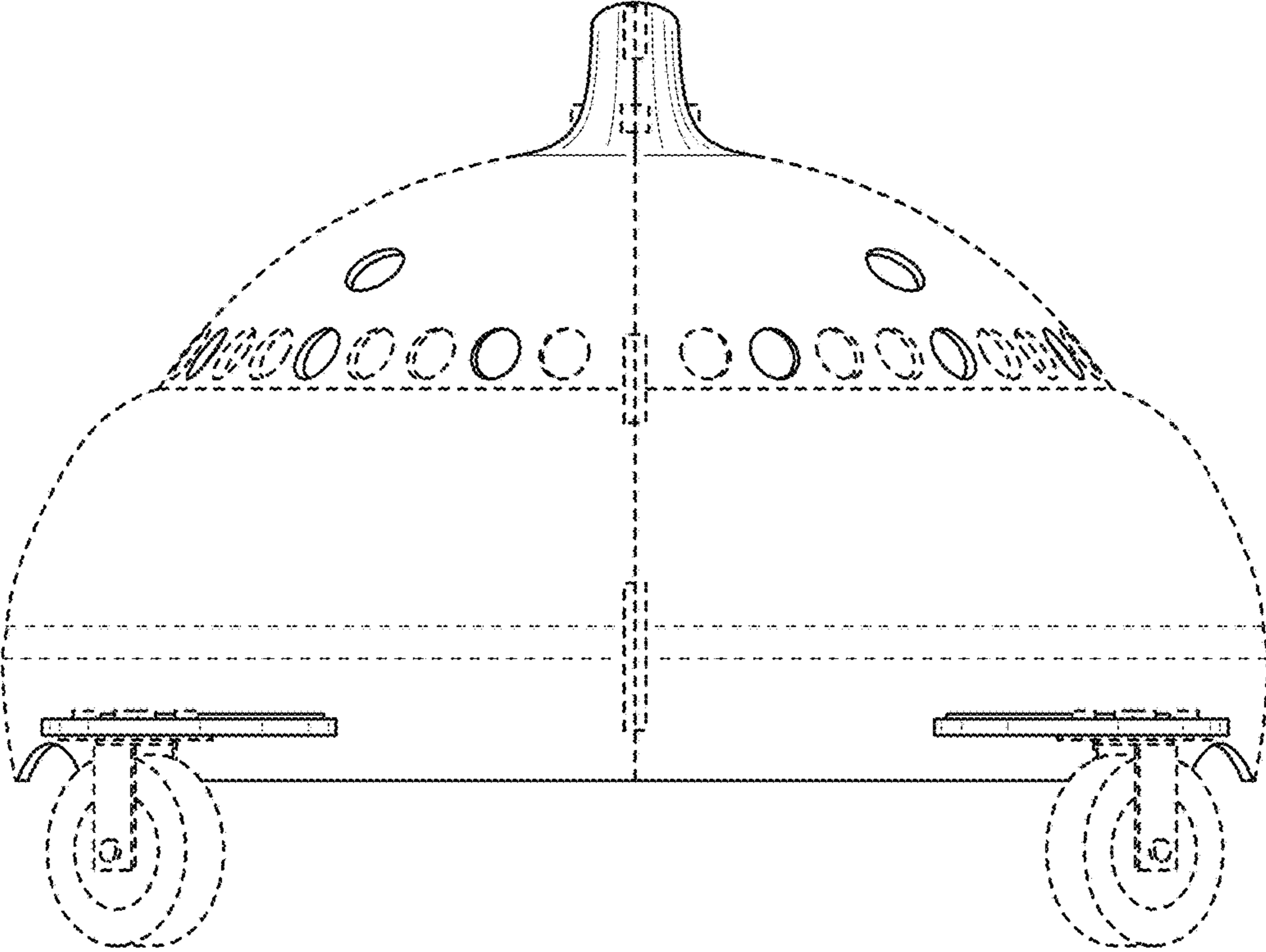


FIG. 2

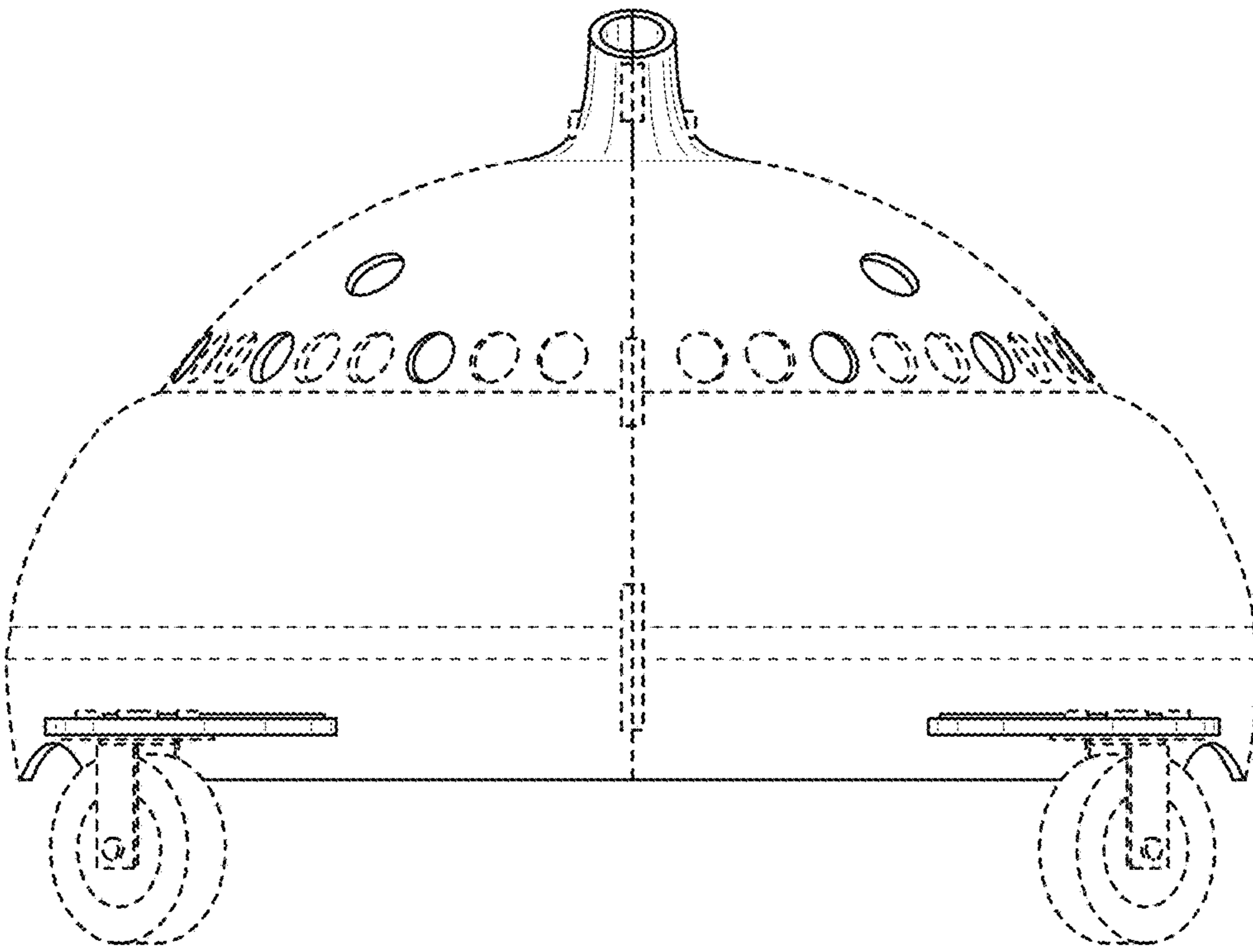


FIG. 3

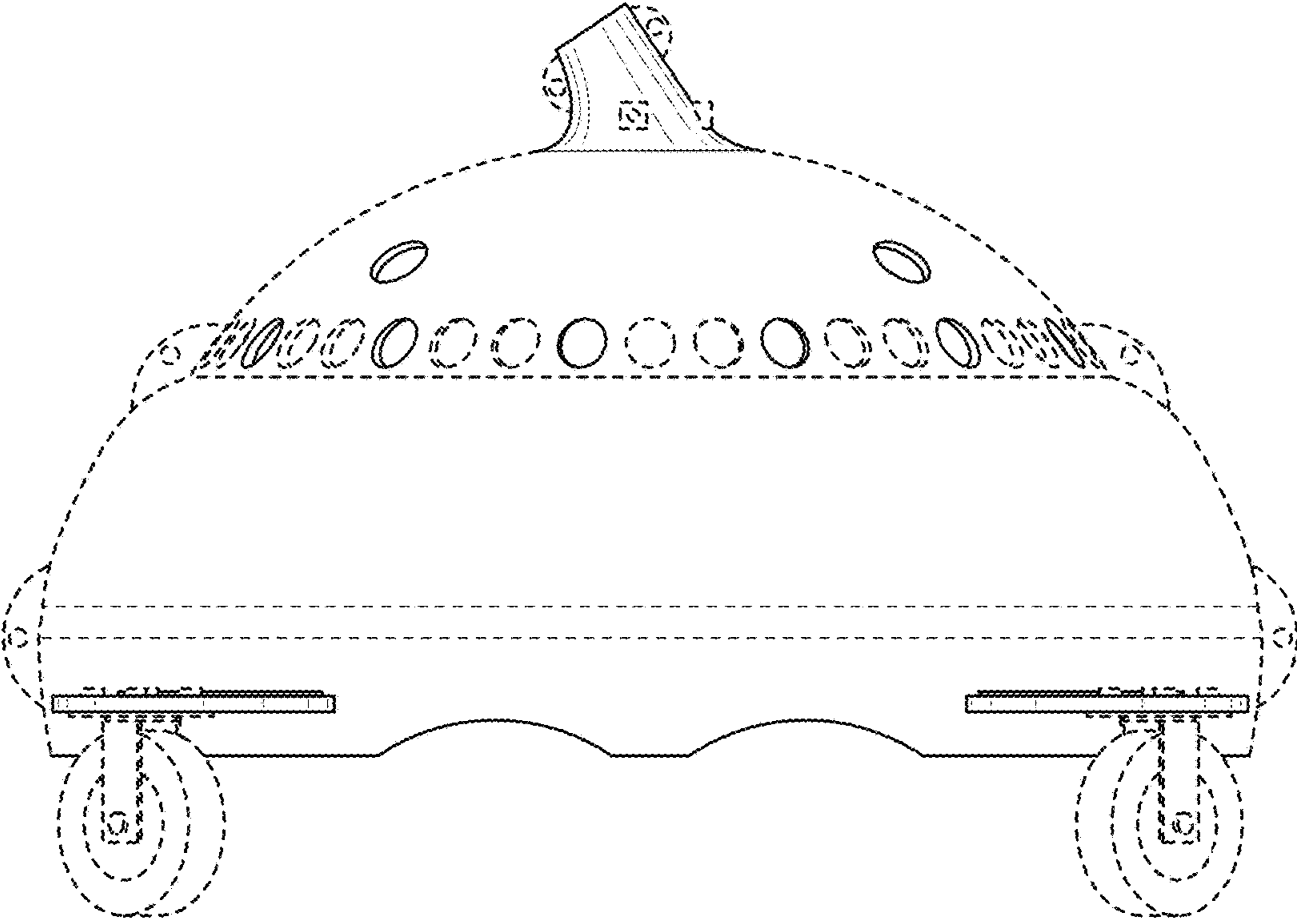


FIG. 4

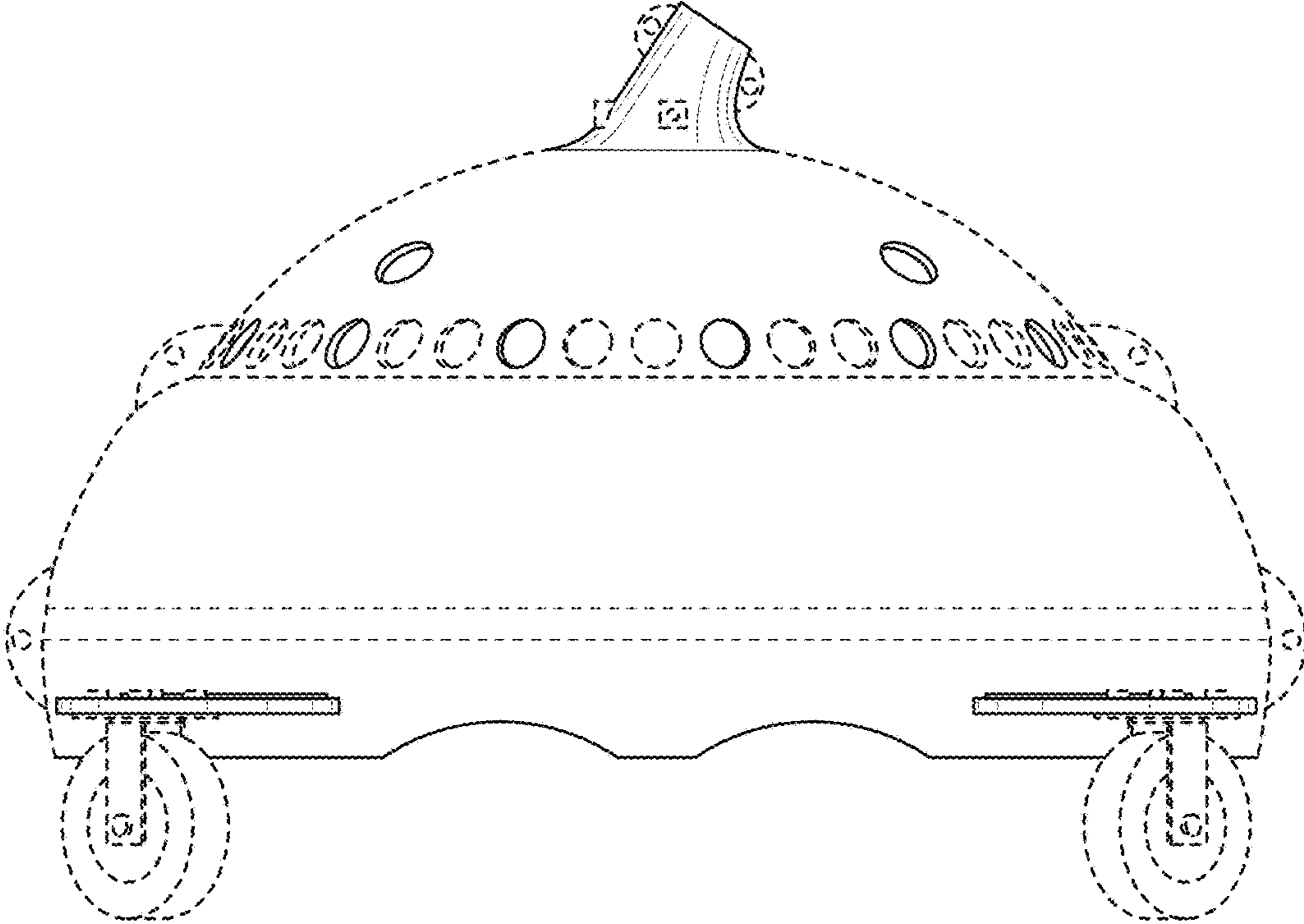


FIG. 5

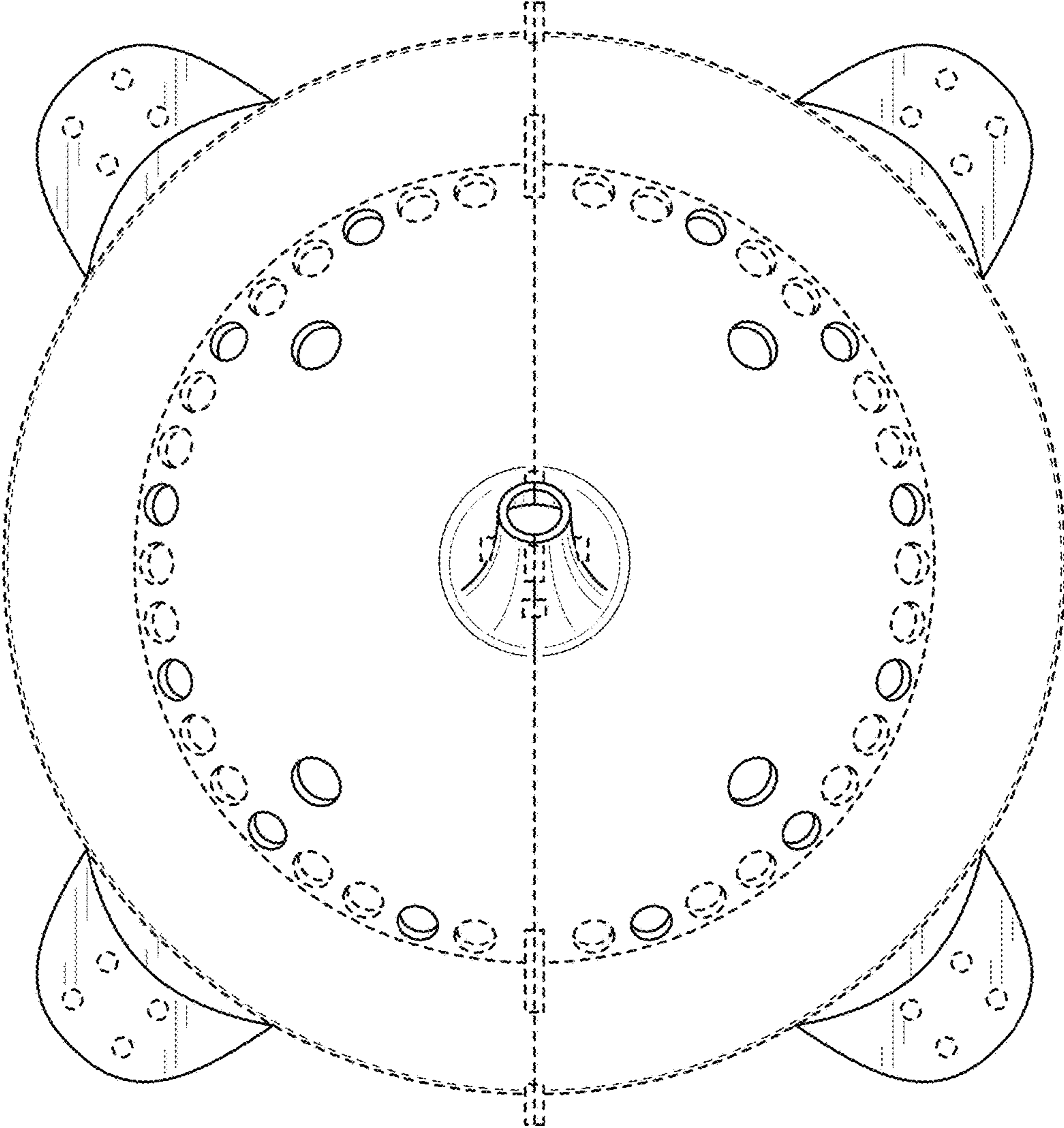


FIG. 6

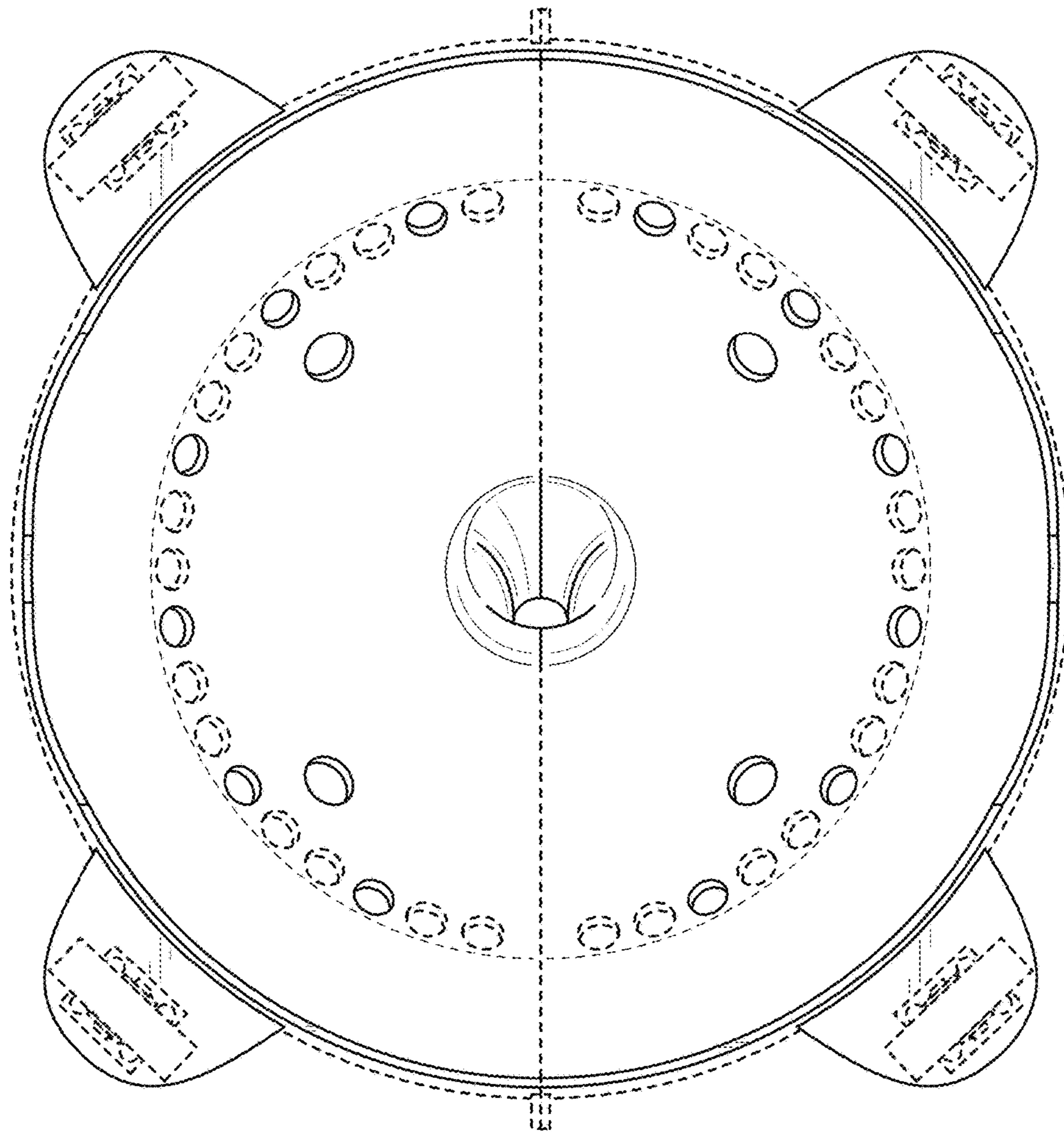


FIG. 7

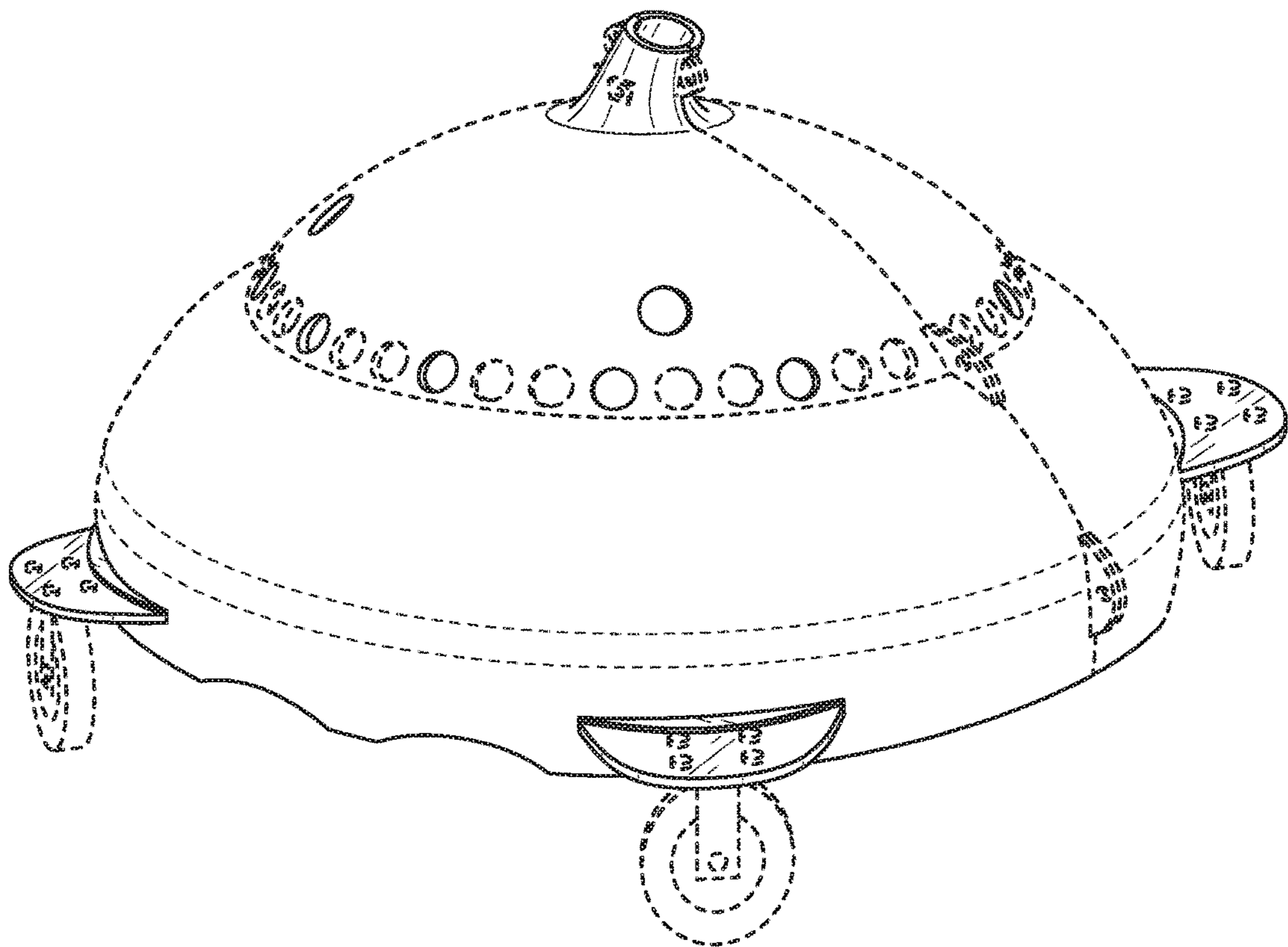


FIG. 8

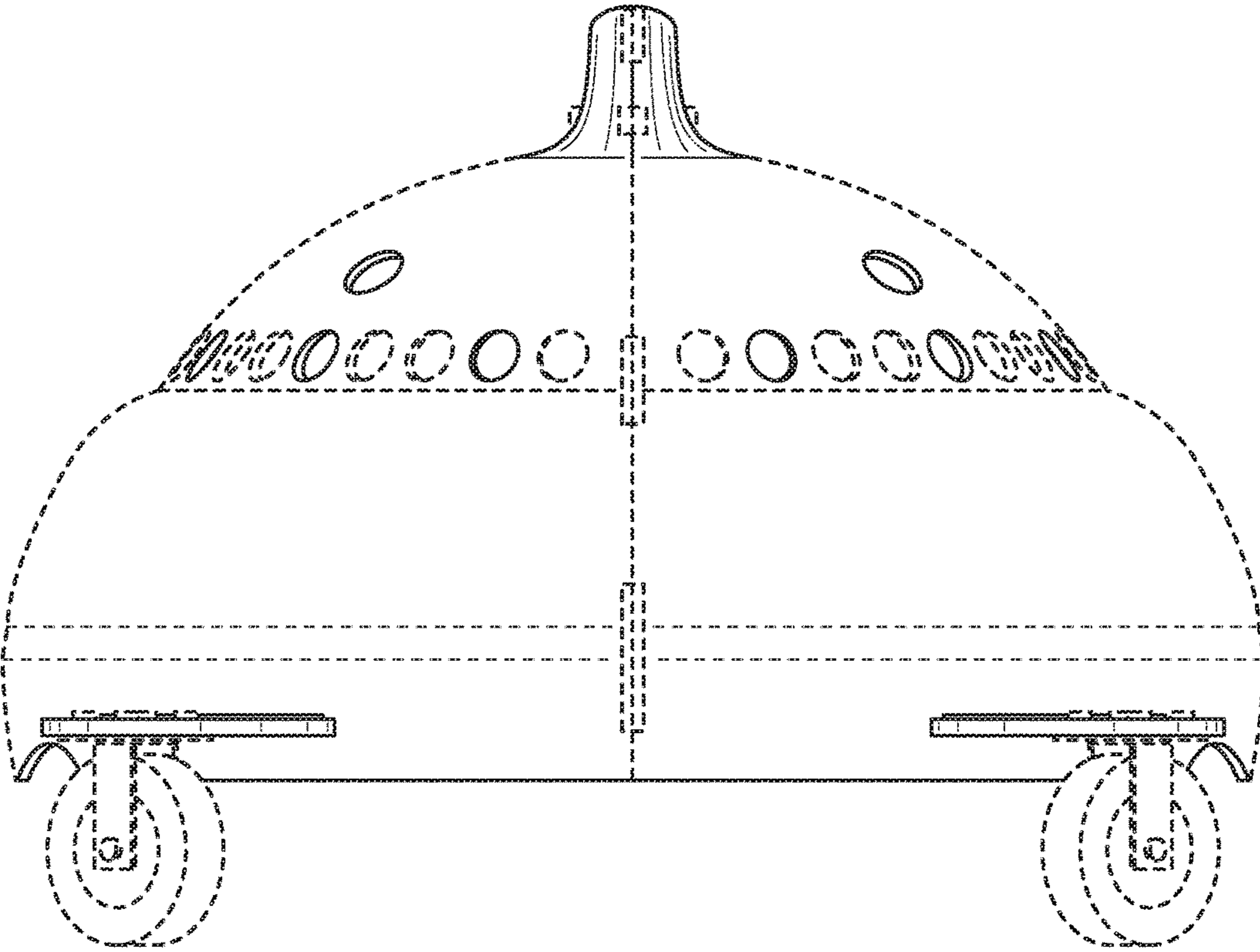


FIG. 9

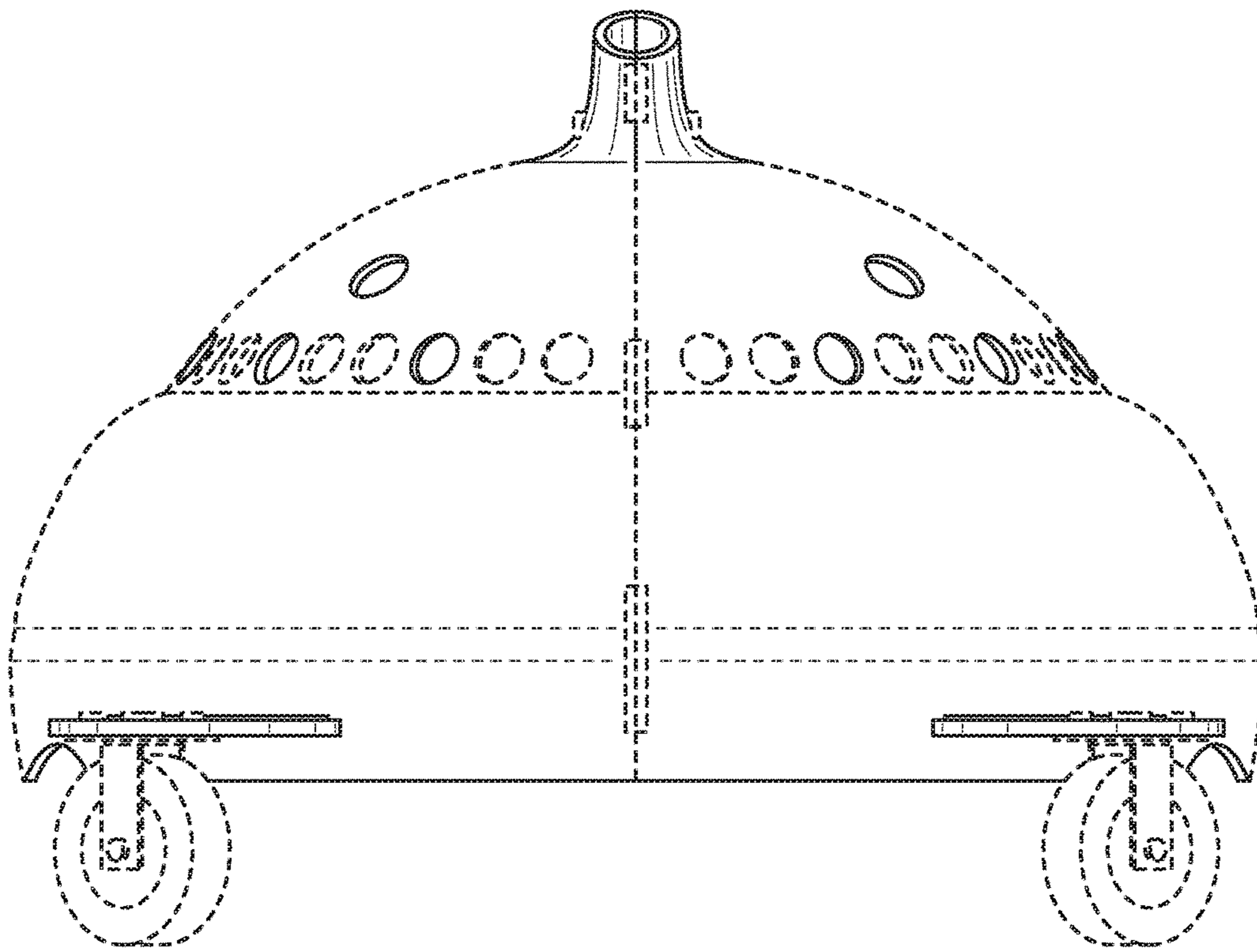


FIG. 10

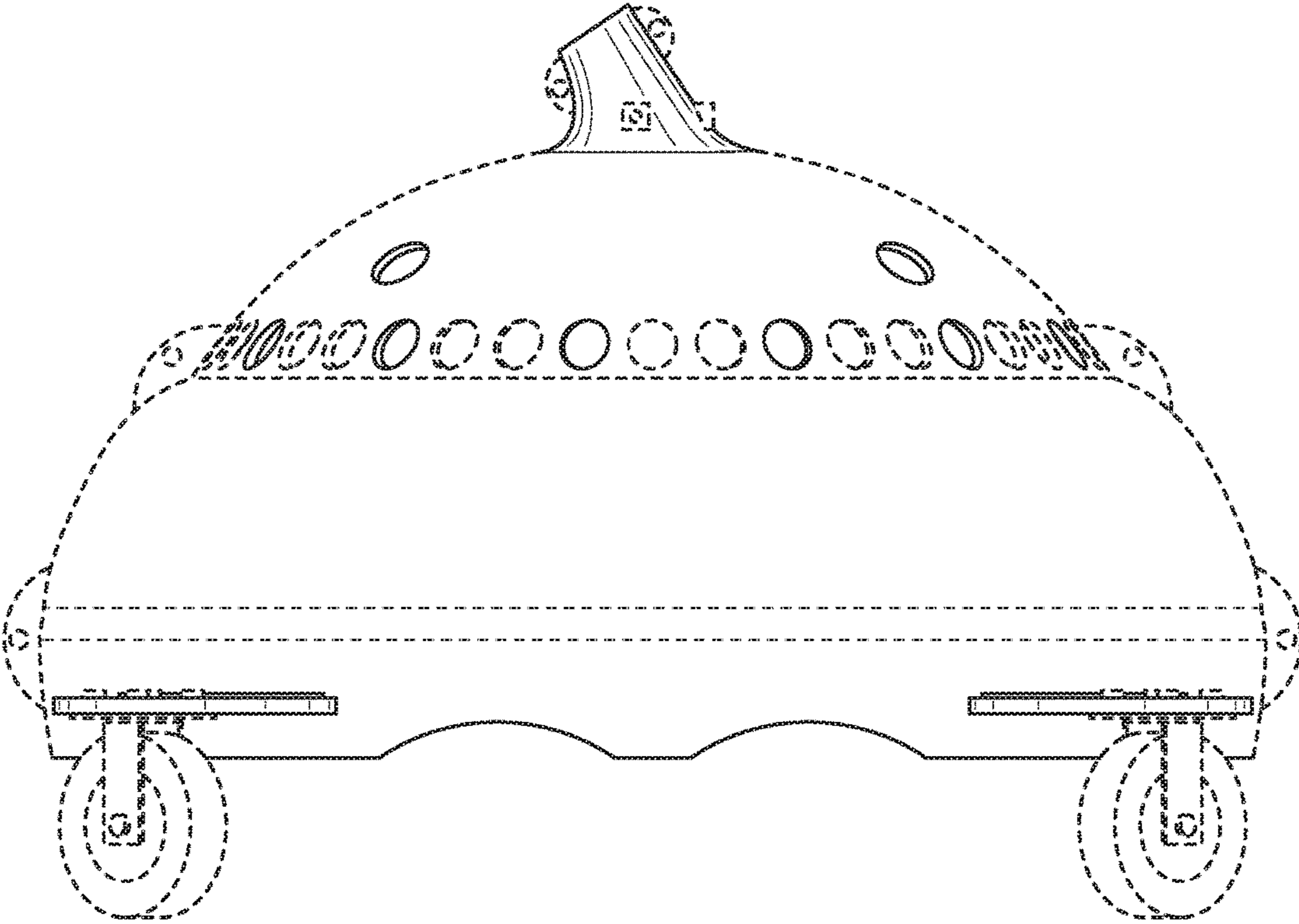


FIG. 11

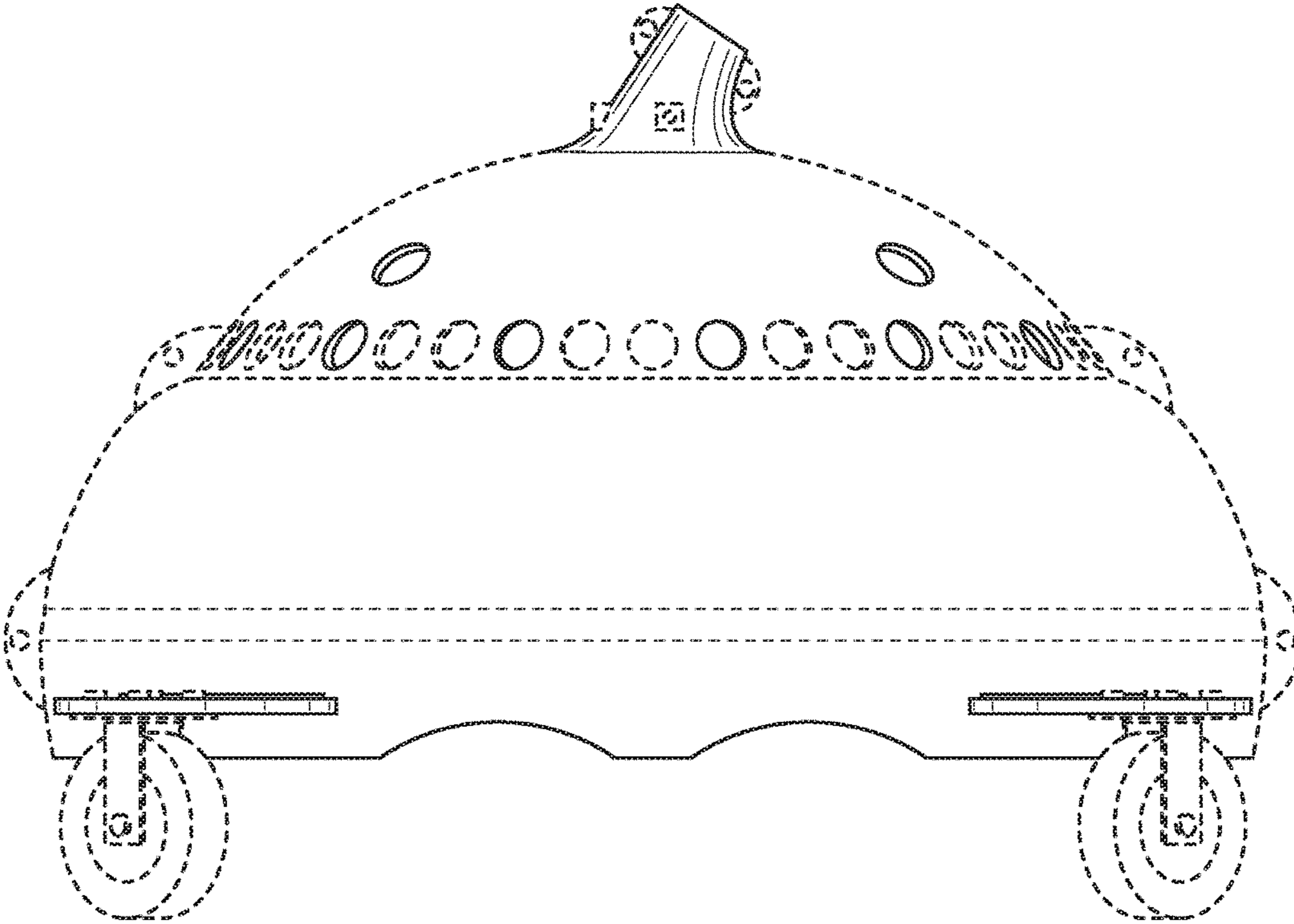


FIG. 12

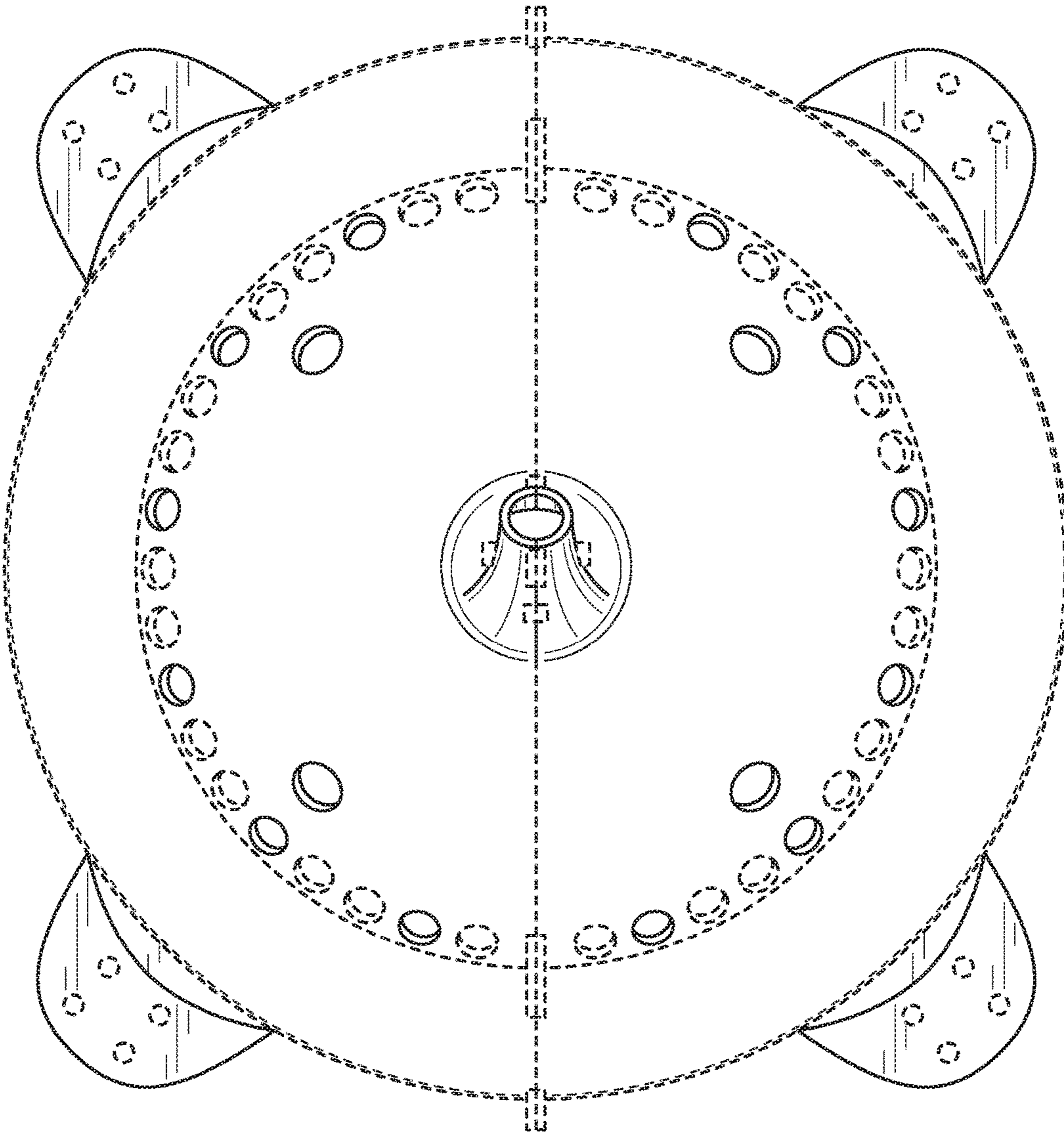


FIG. 13

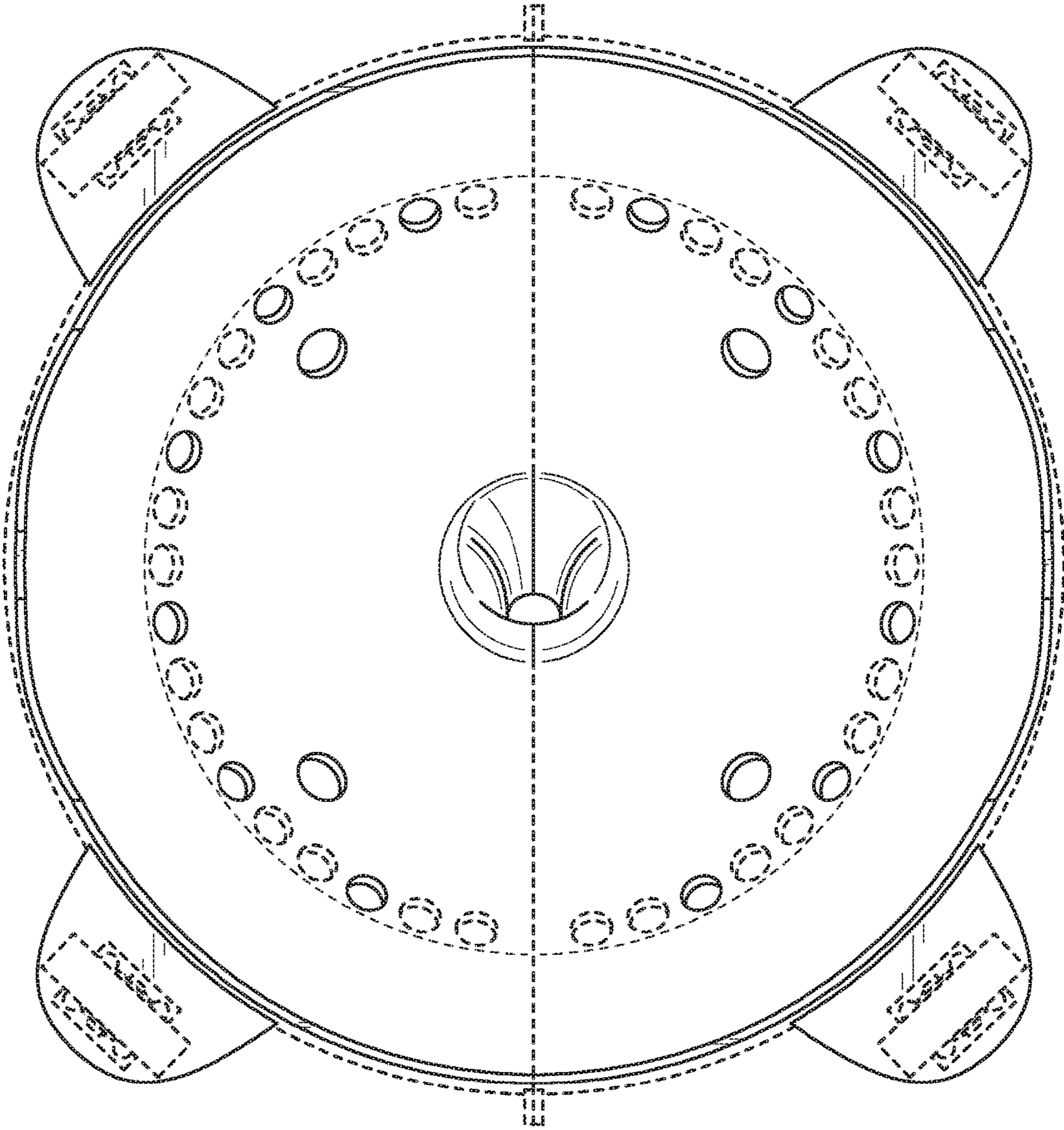


FIG. 14

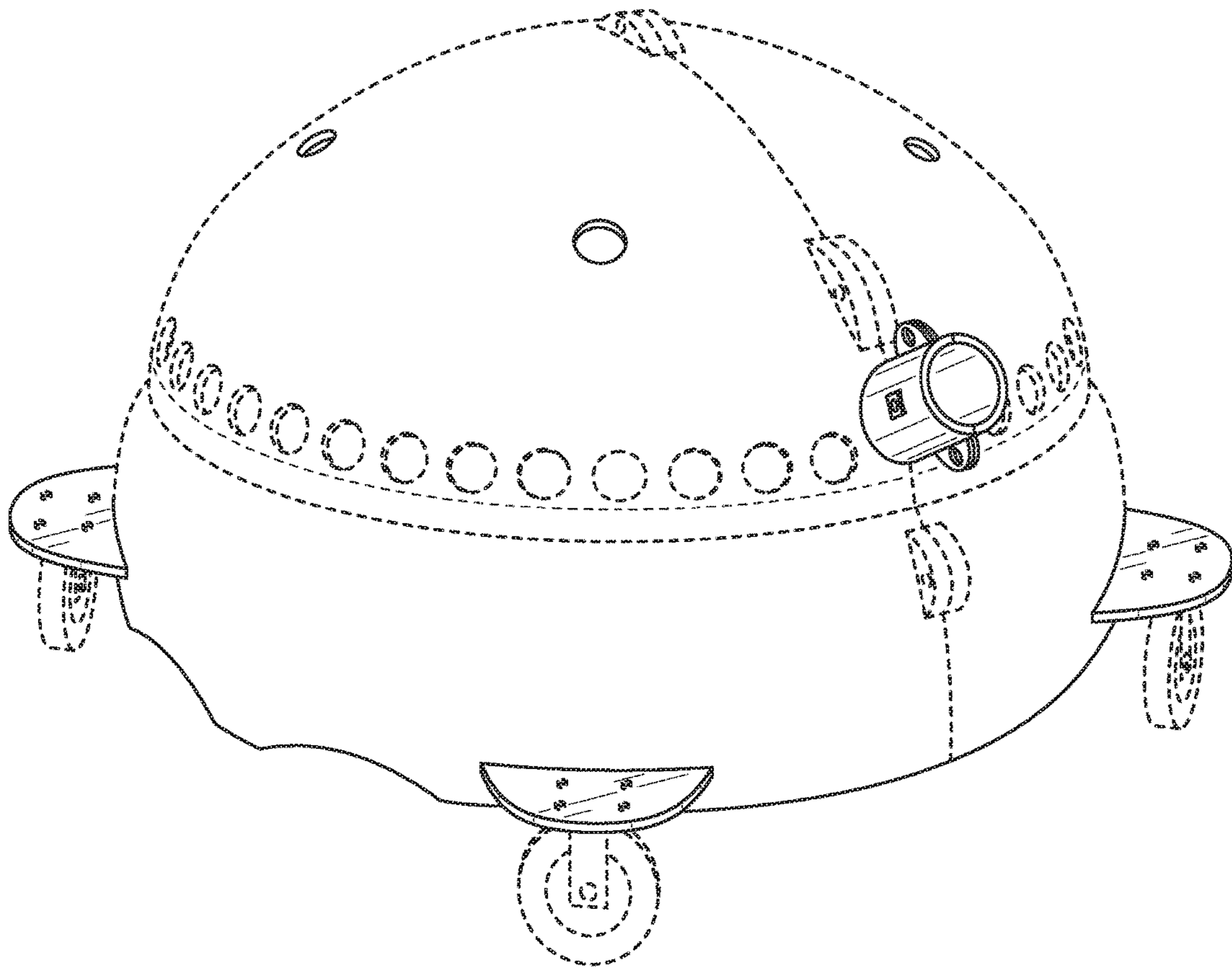


FIG. 15

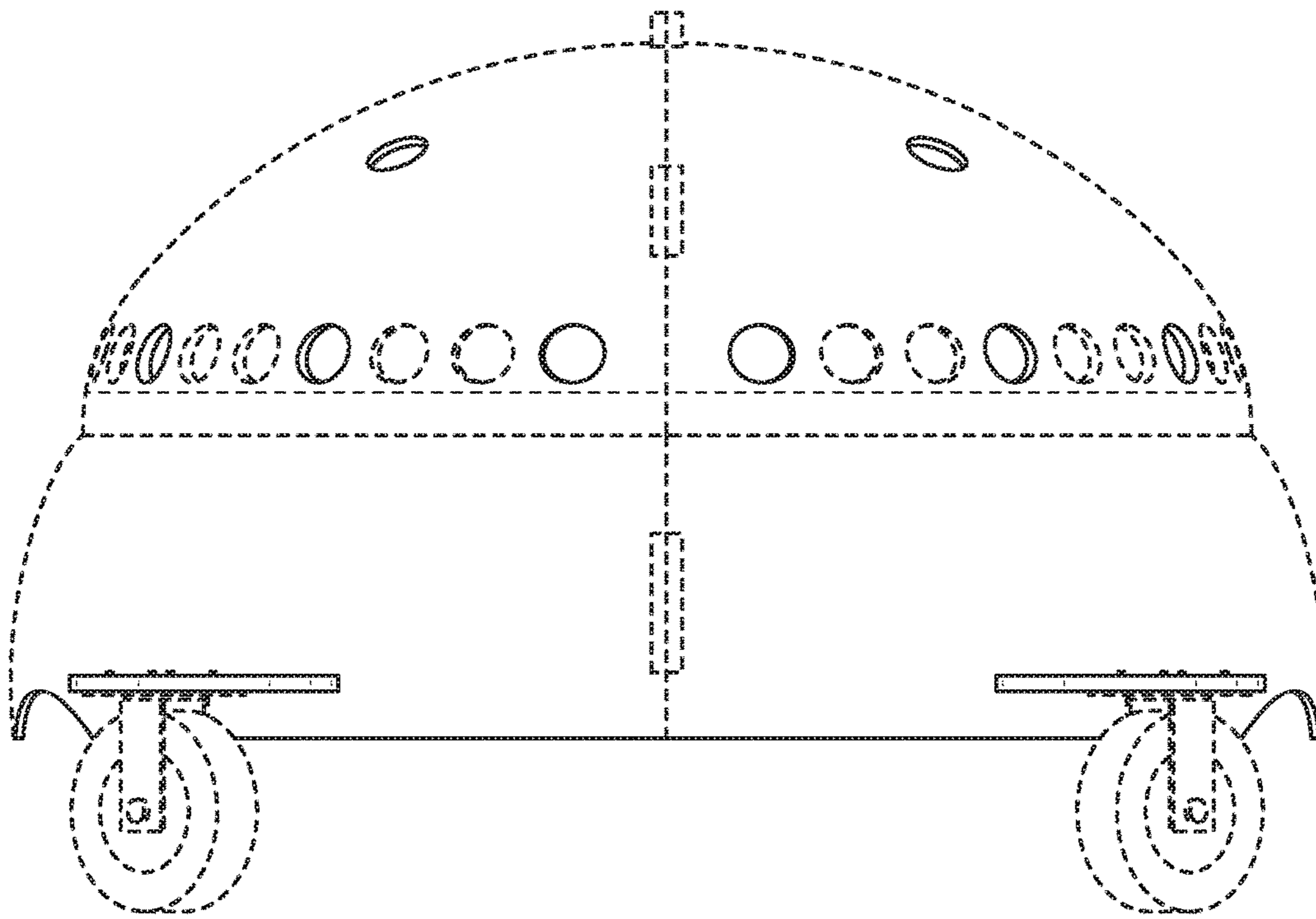


FIG. 16

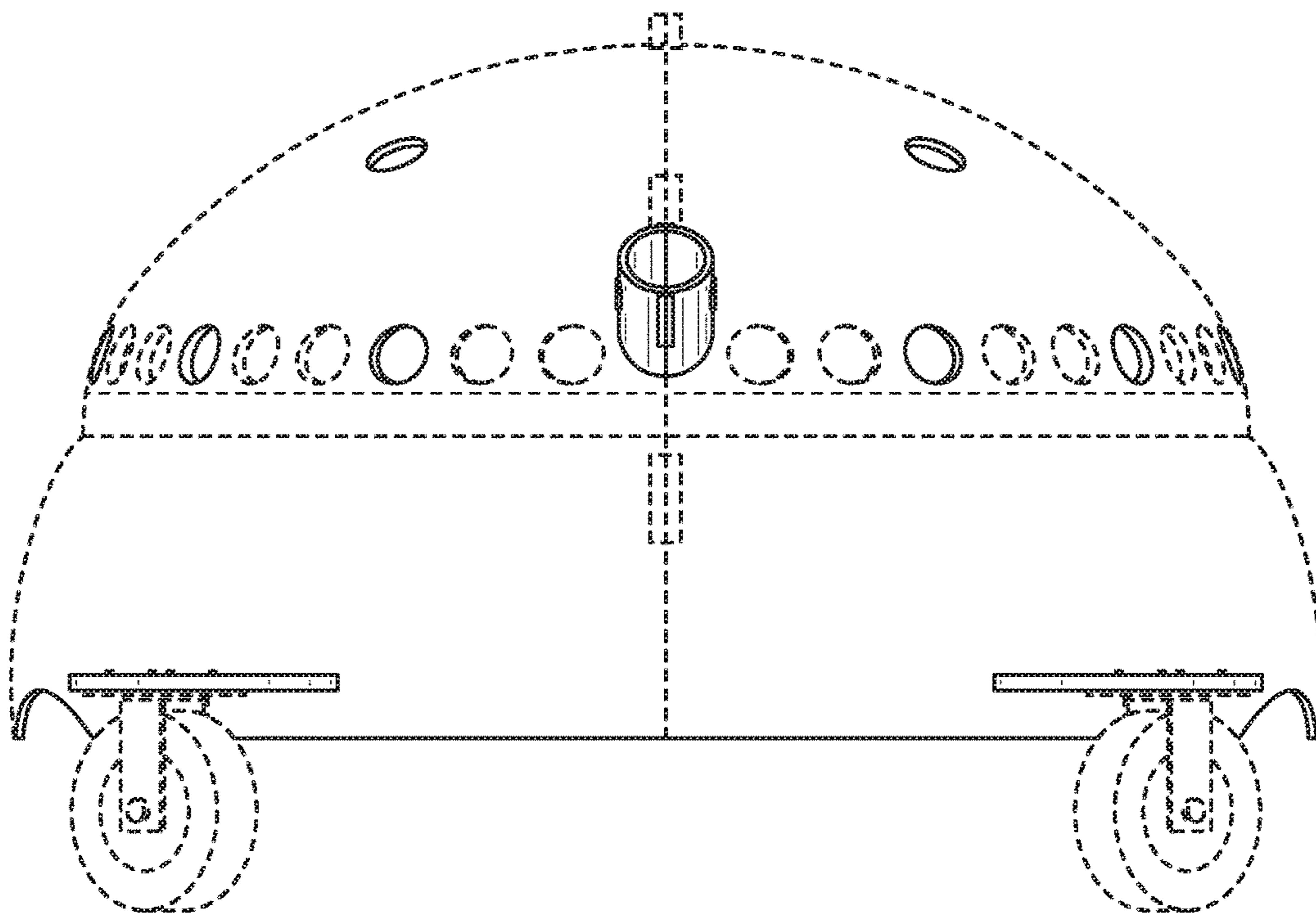


FIG. 17

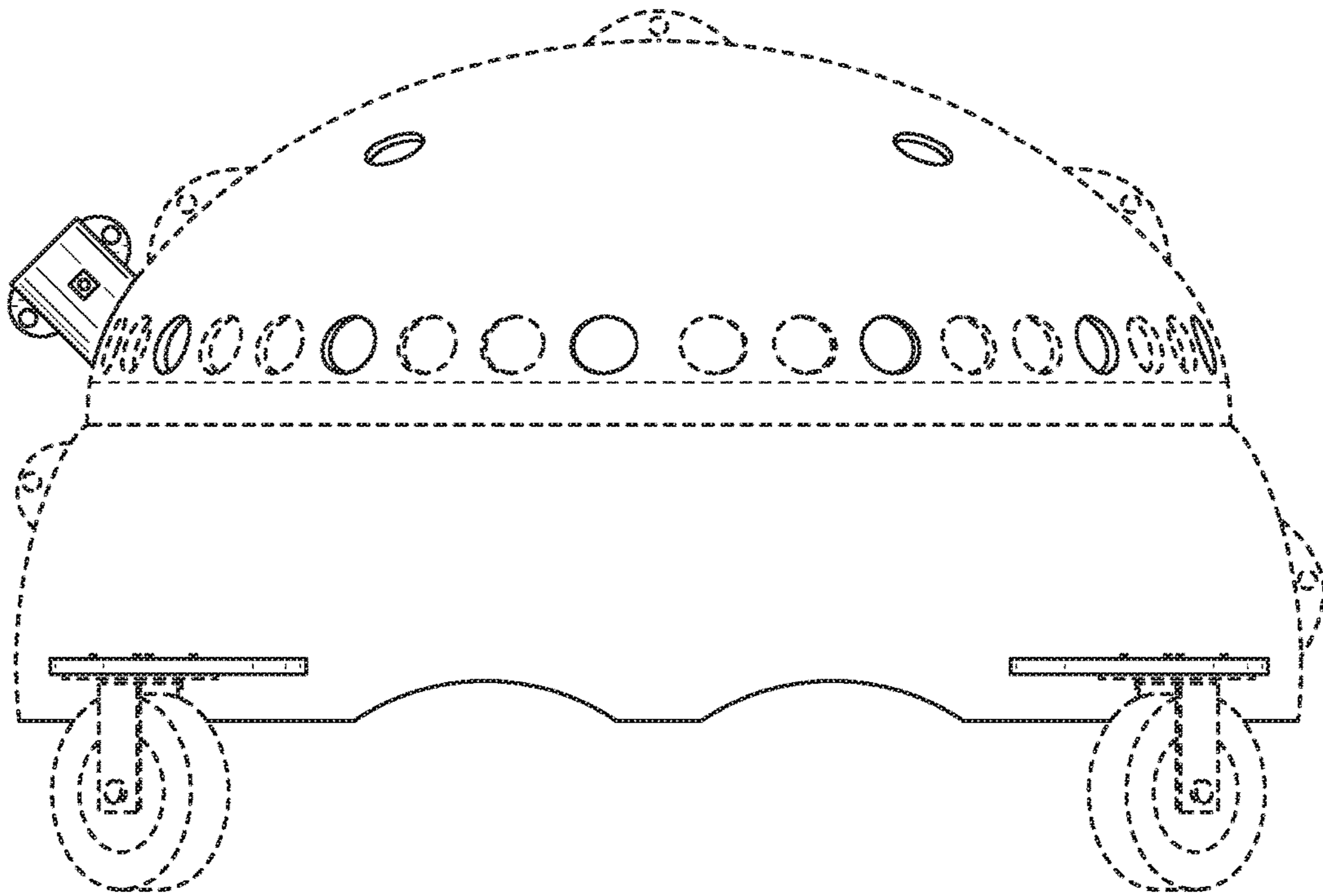


FIG. 18

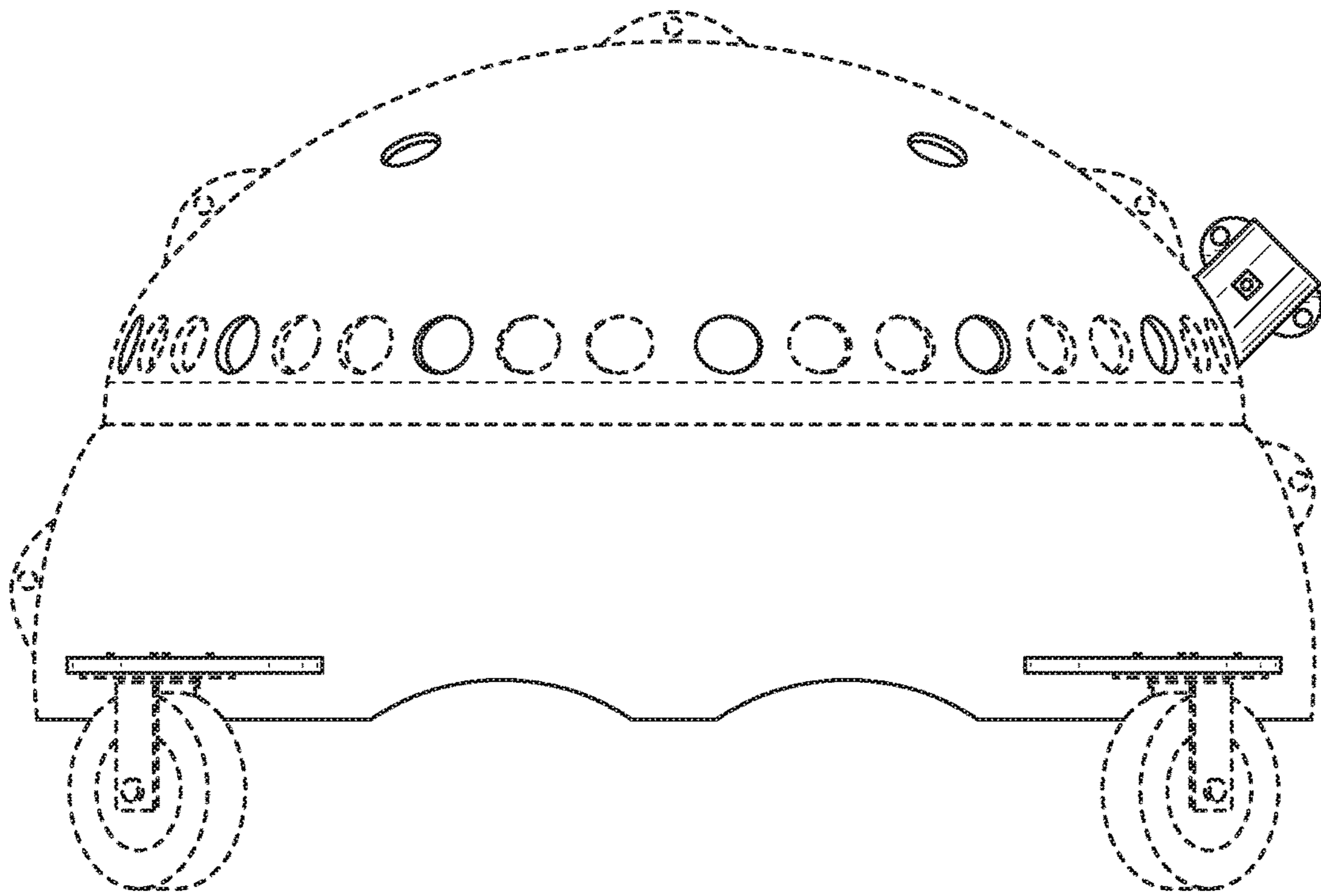


FIG. 19

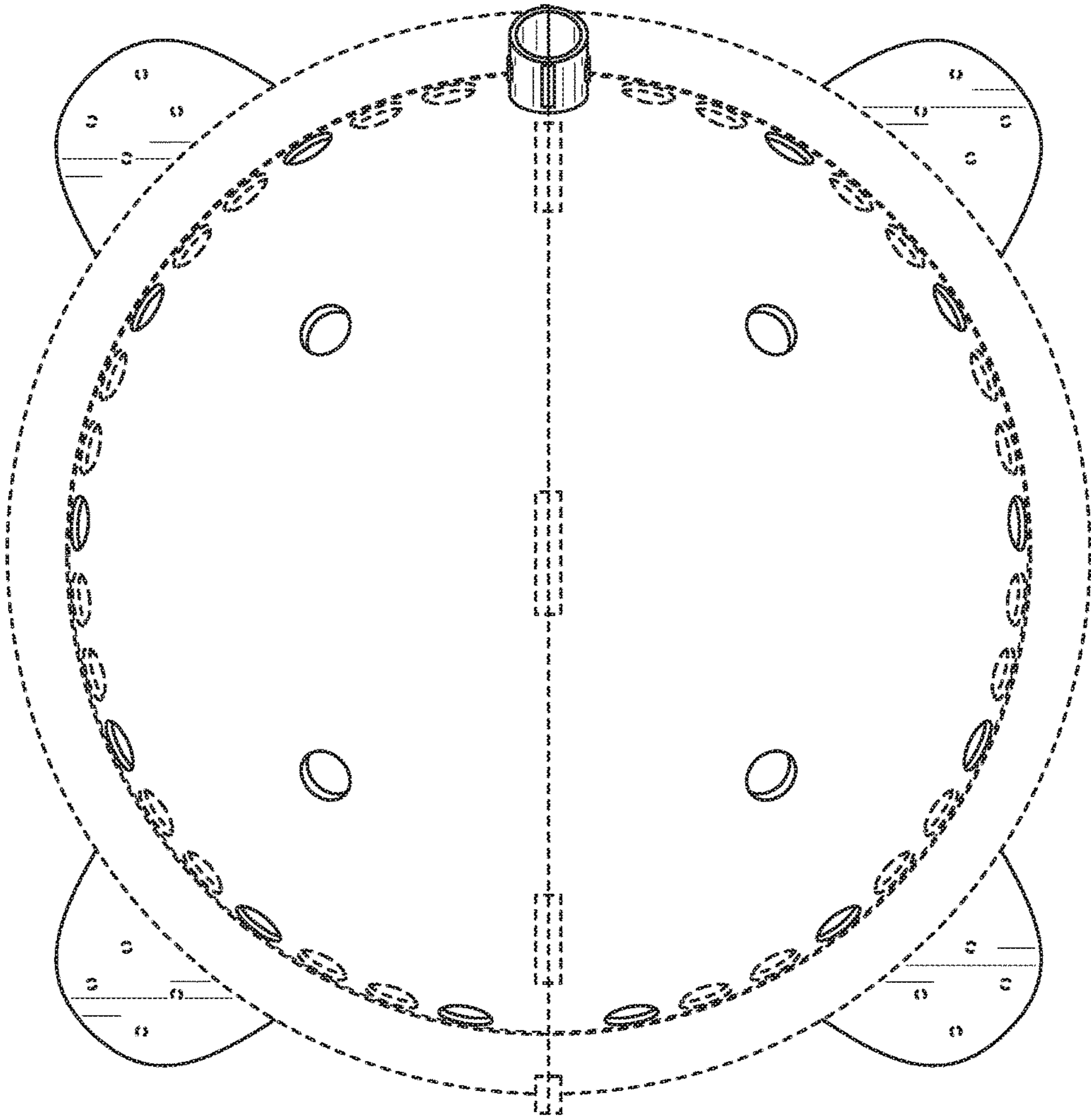


FIG. 20

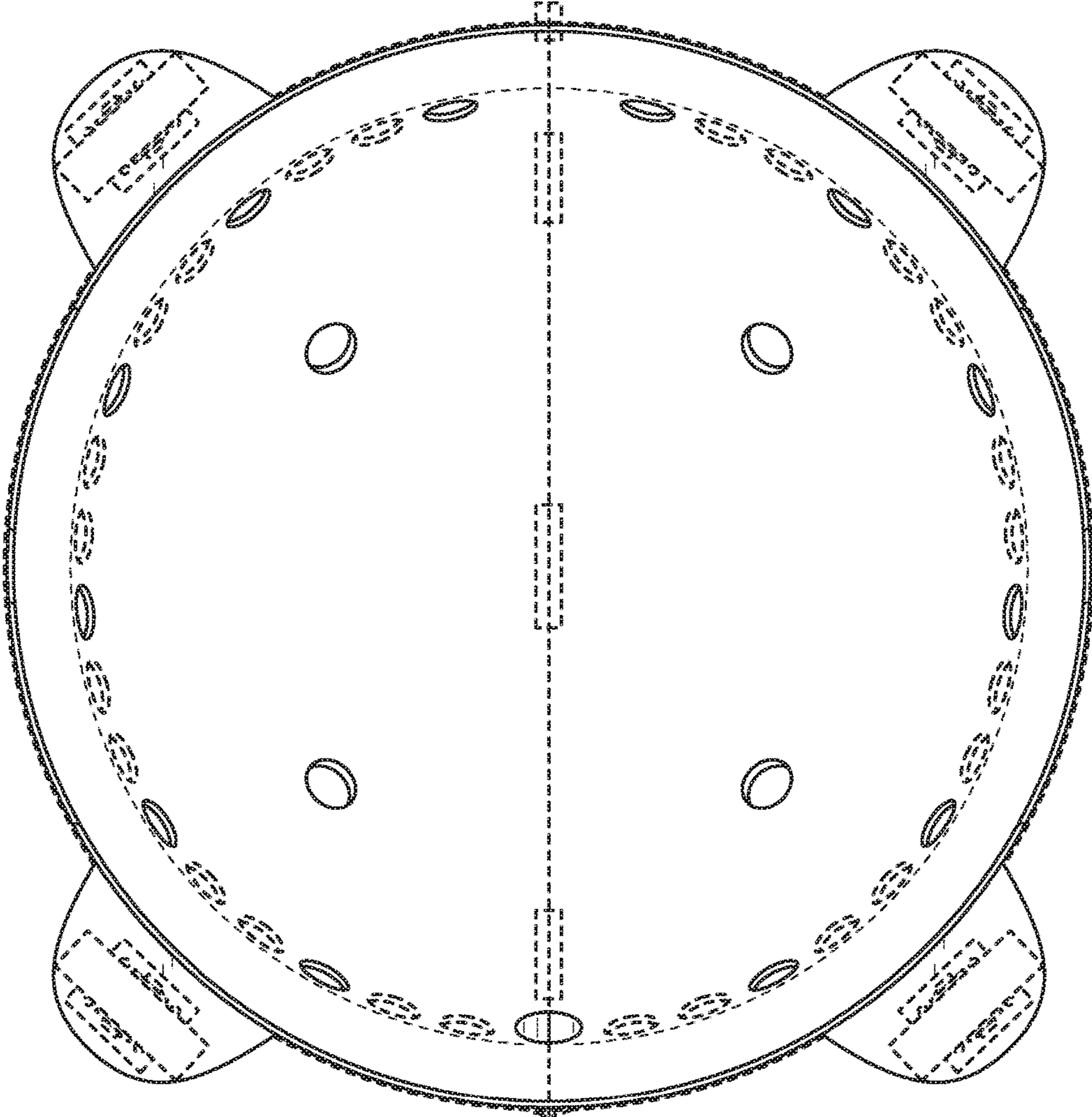


FIG. 21

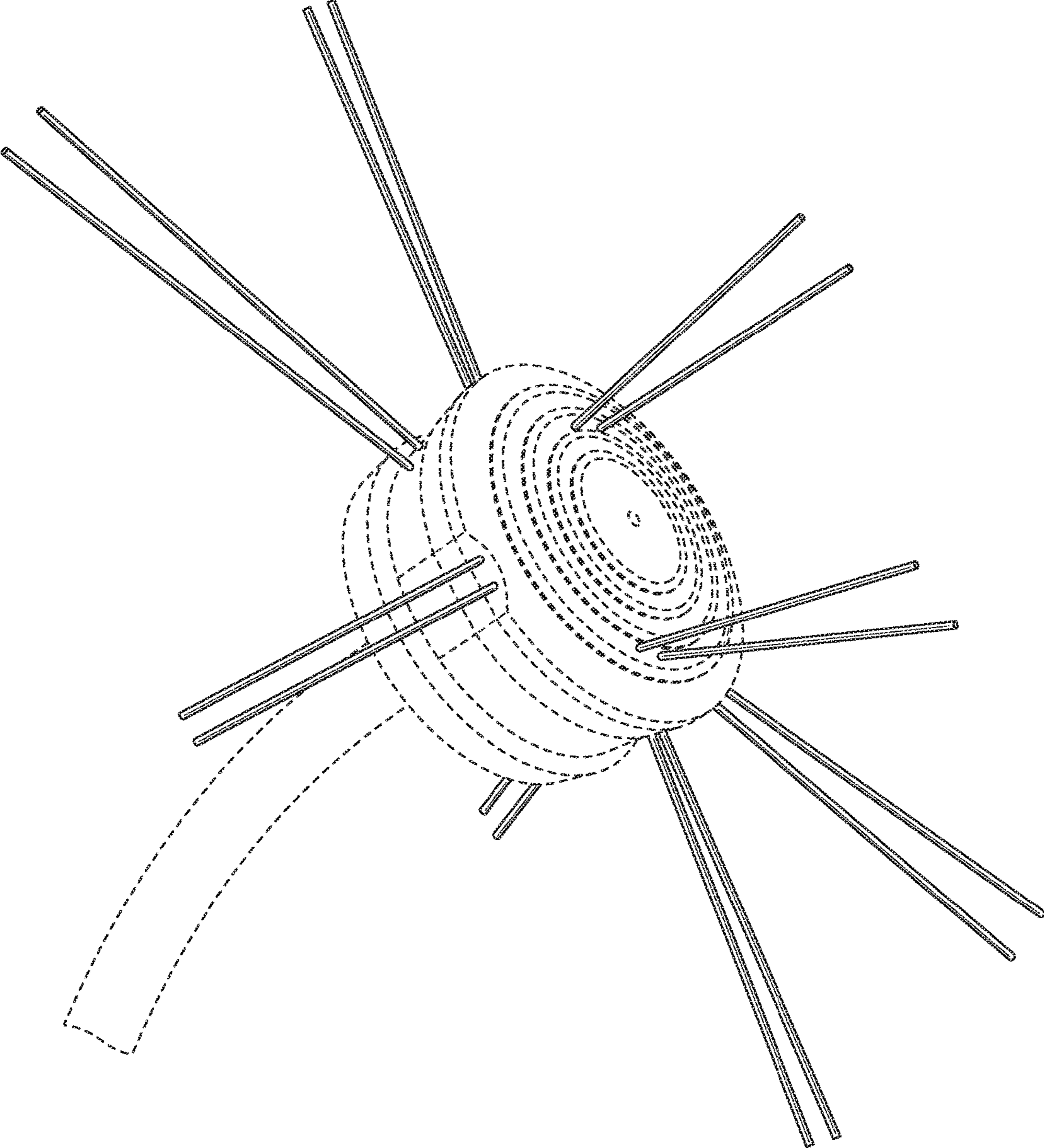


FIG. 22

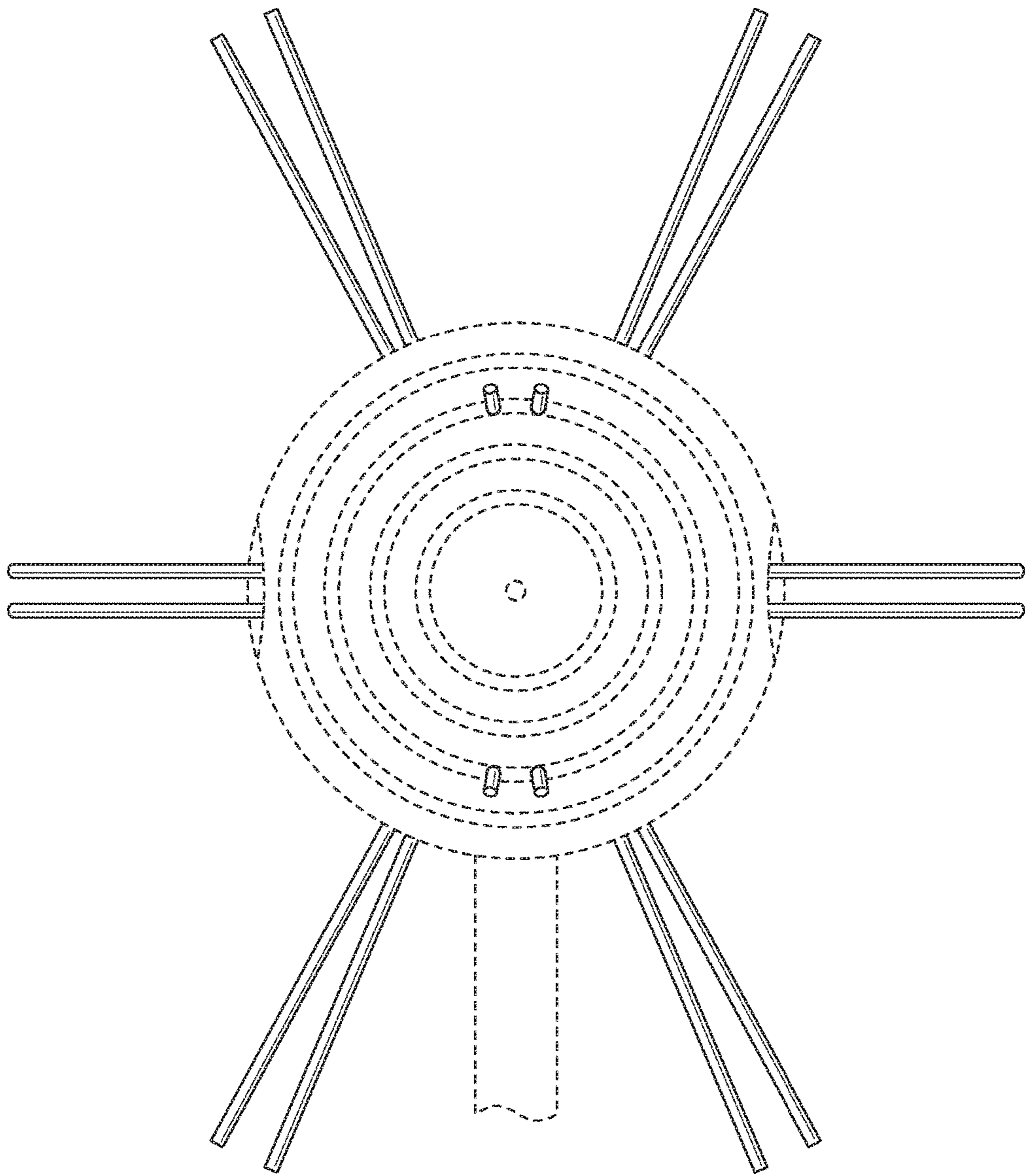


FIG. 23

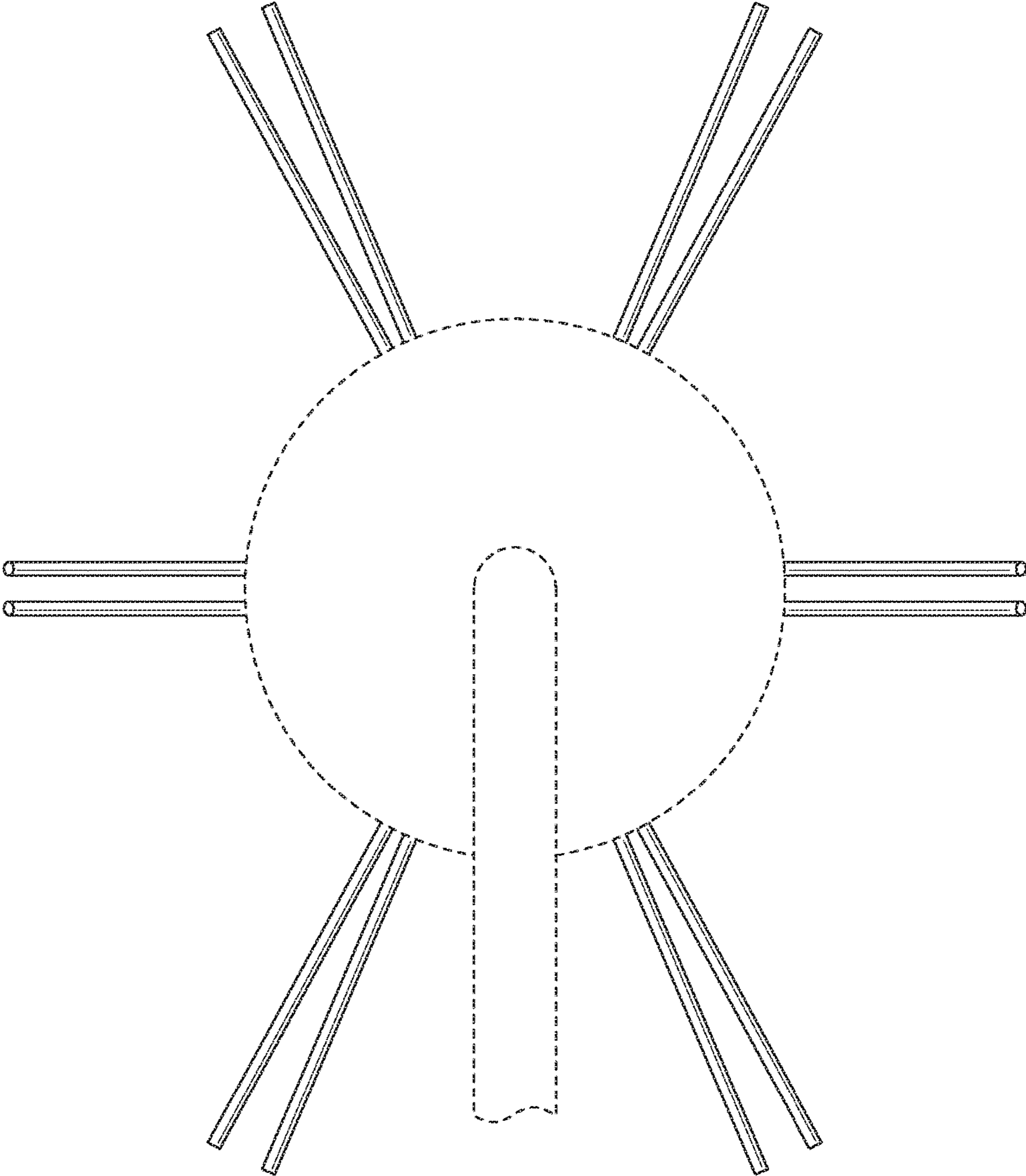


FIG. 24

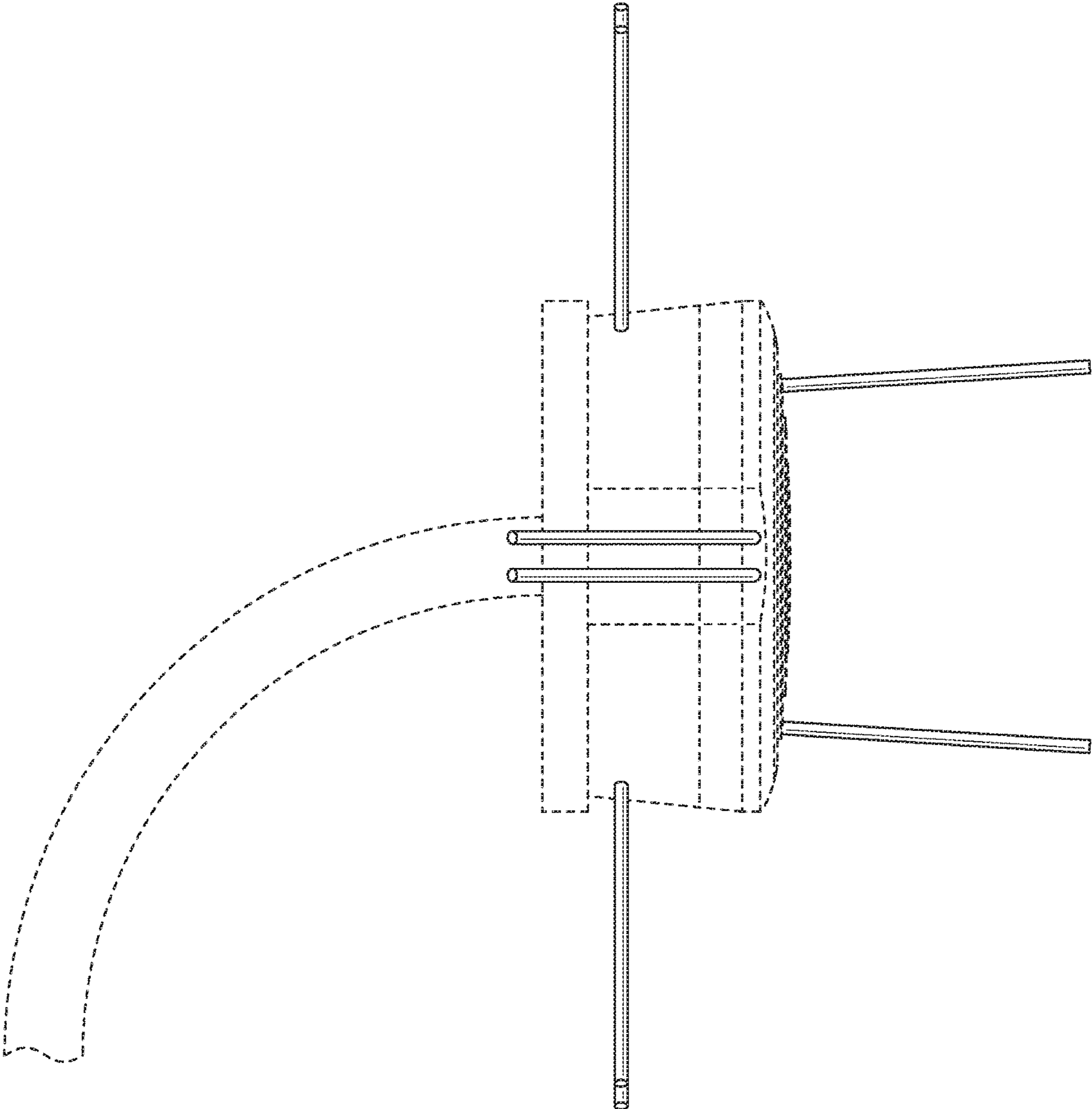


FIG. 25

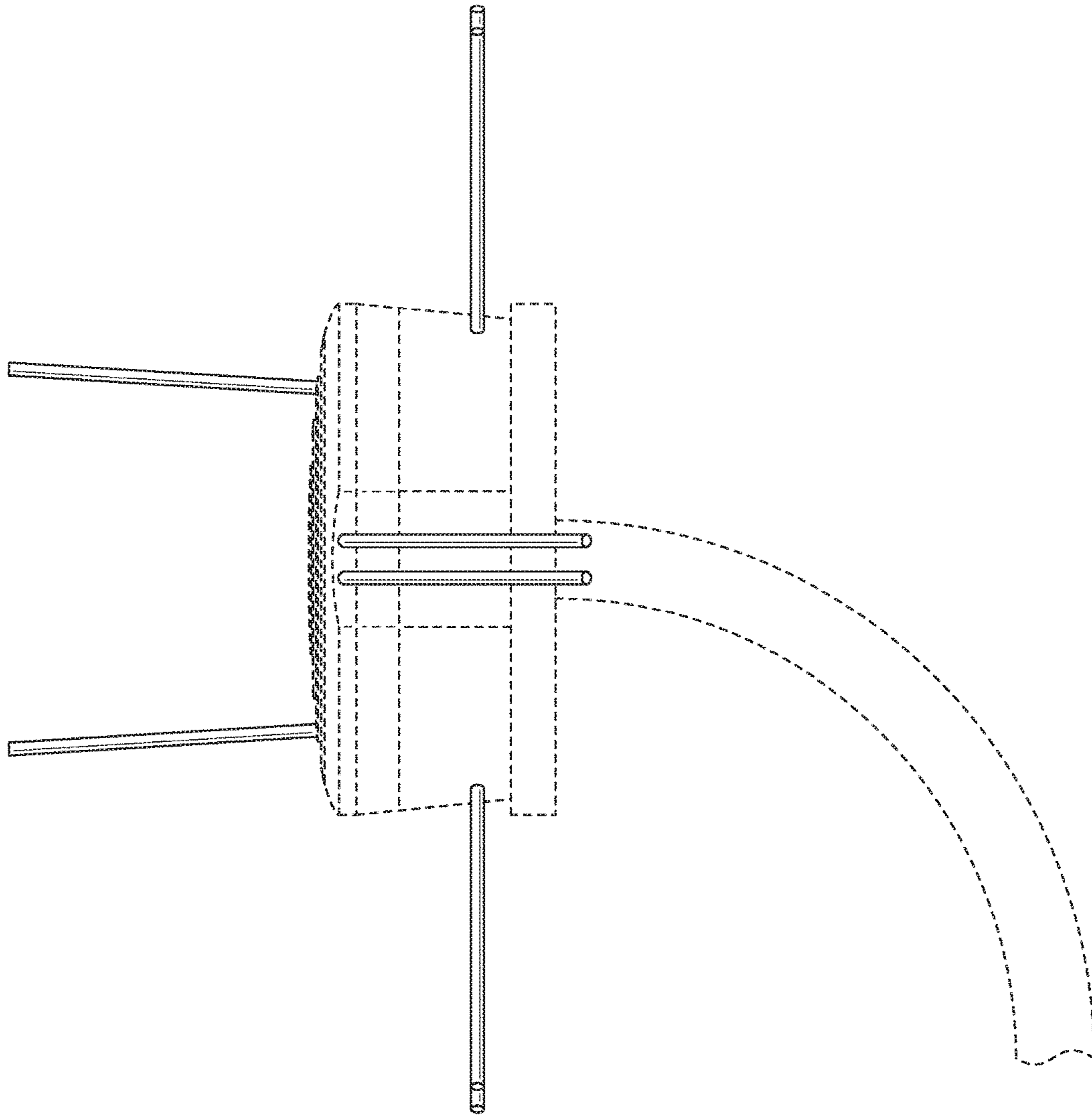


FIG. 26

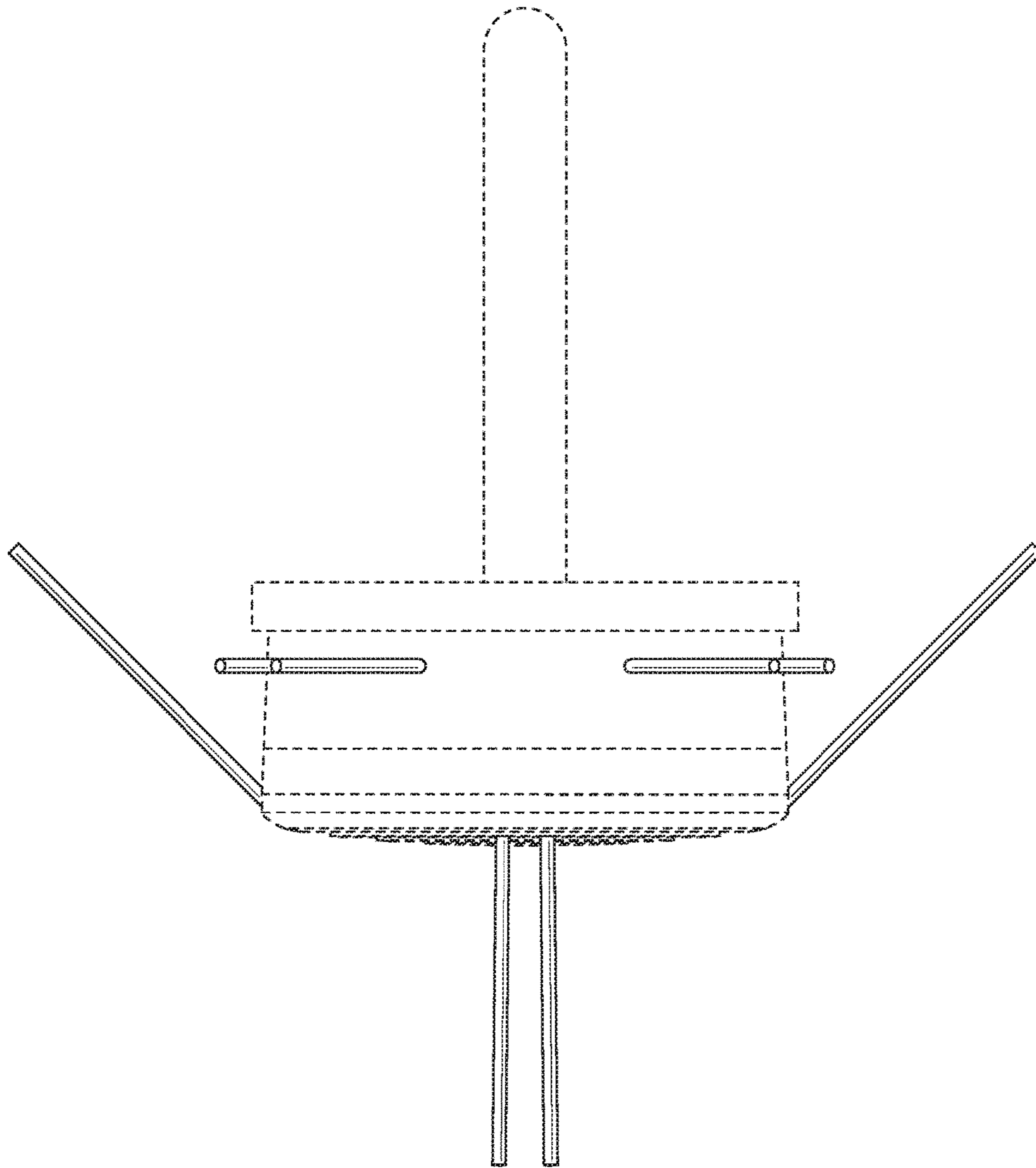


FIG. 27

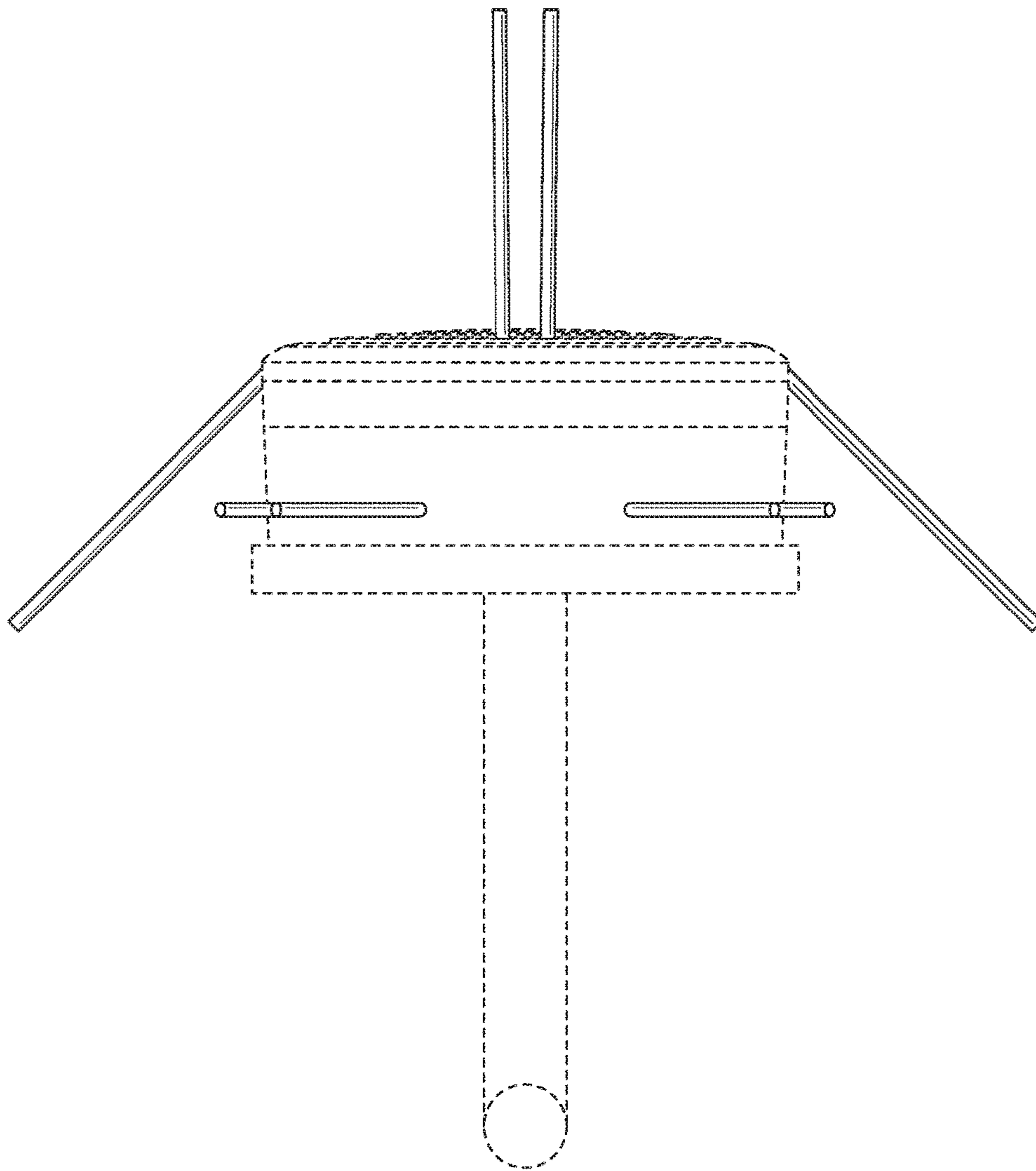


FIG. 28

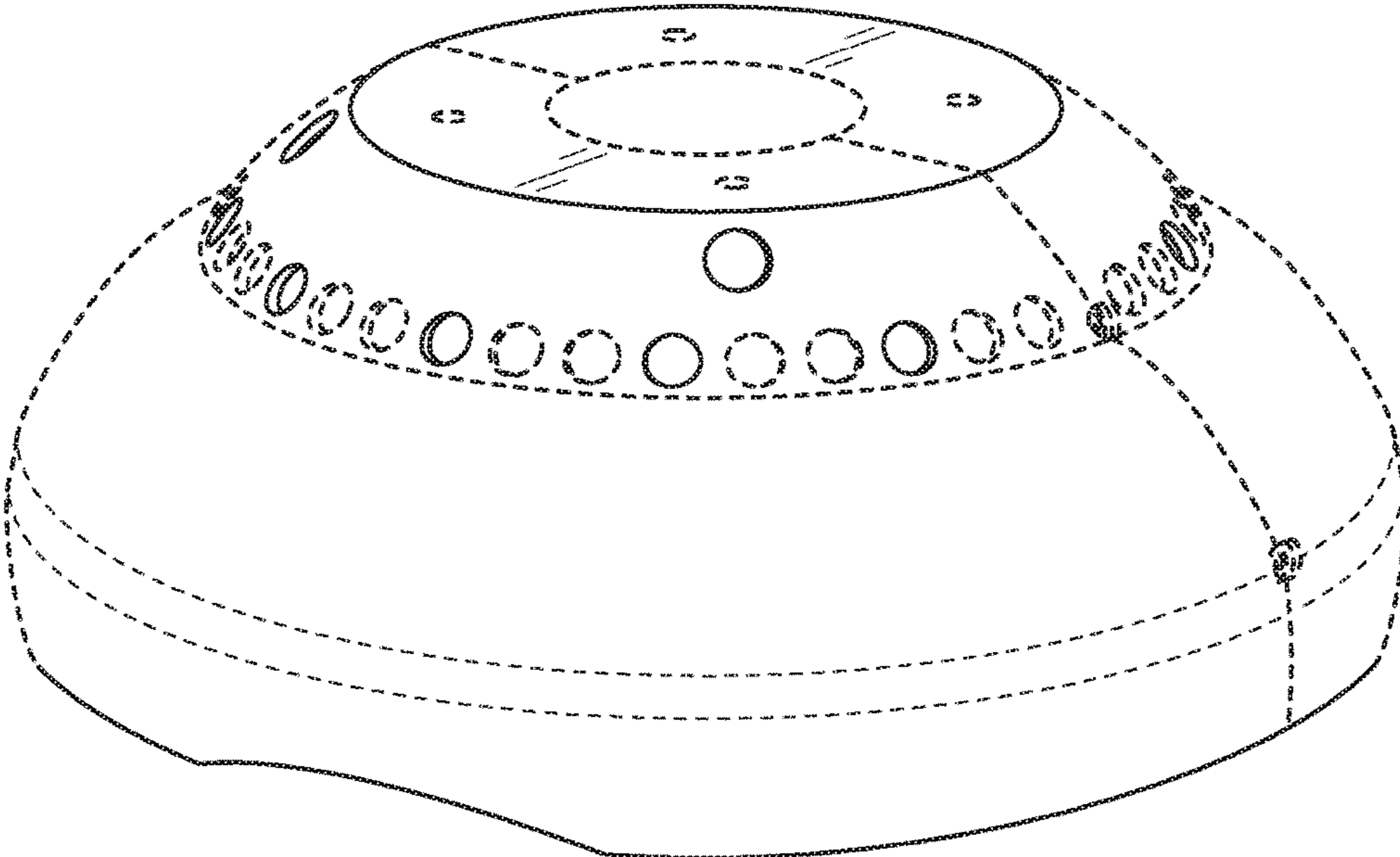


FIG. 29

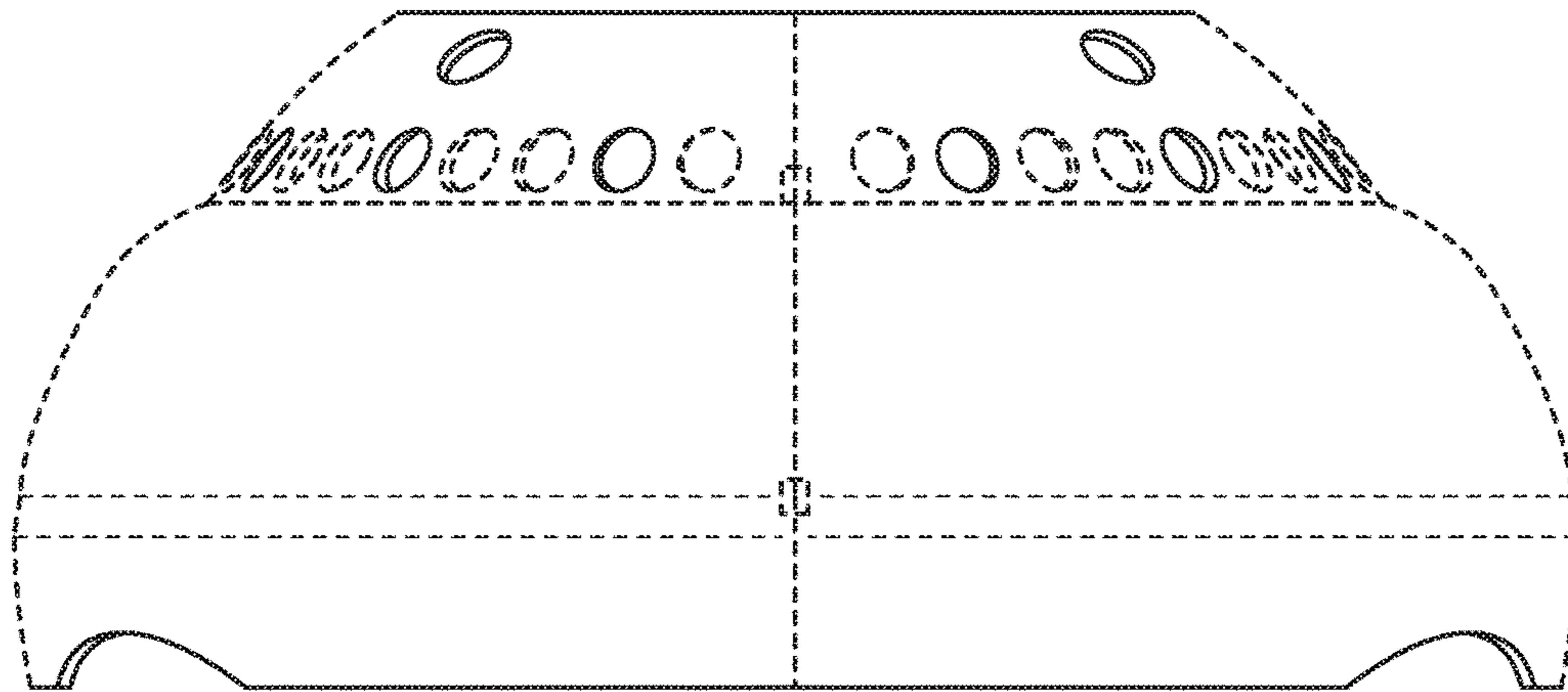


FIG. 30

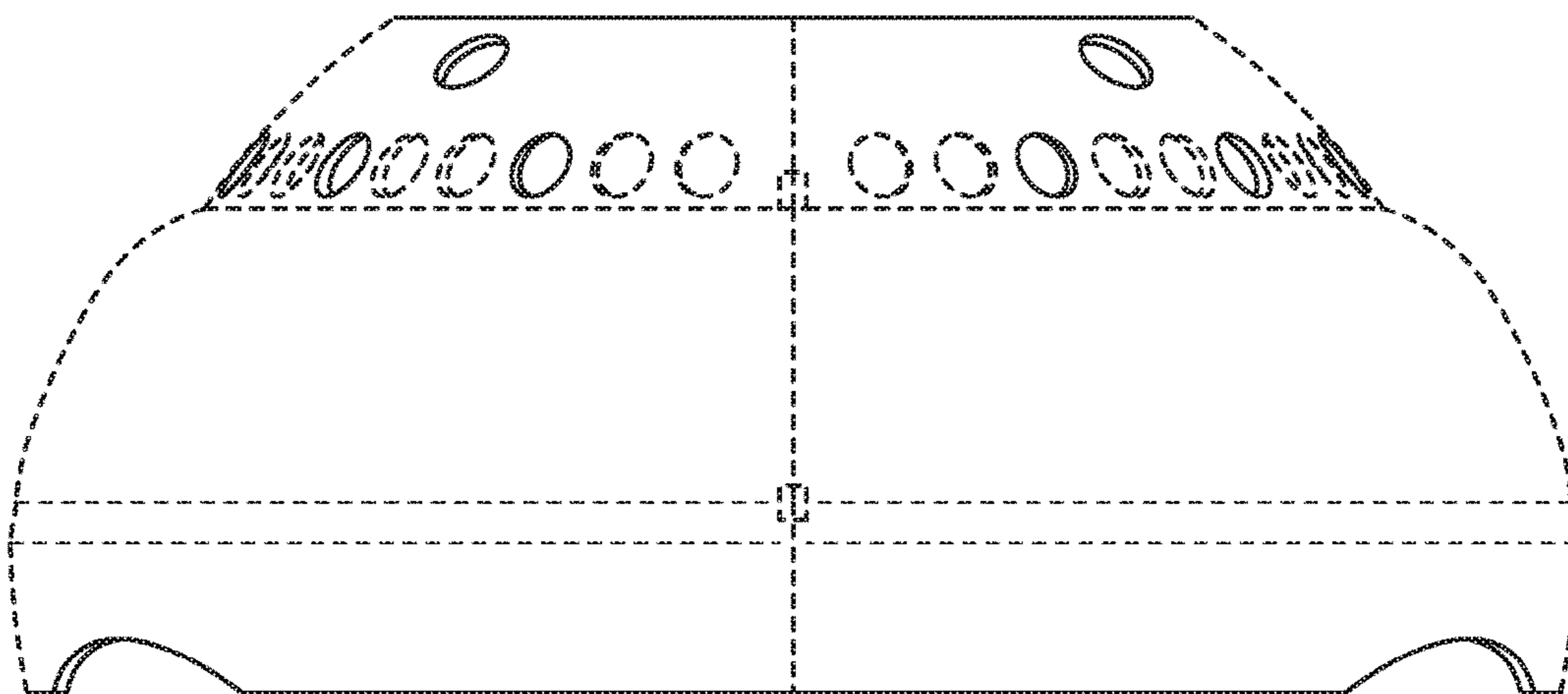


FIG. 31

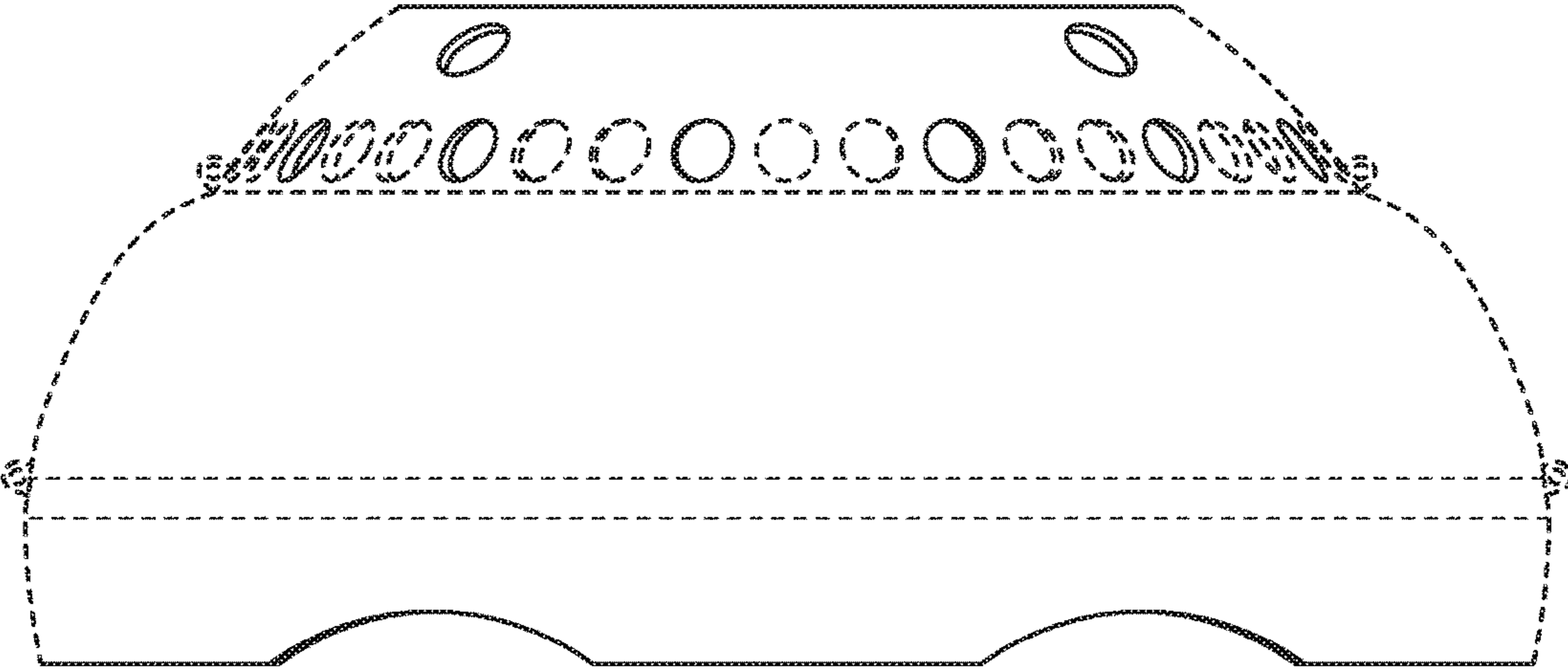


FIG. 32

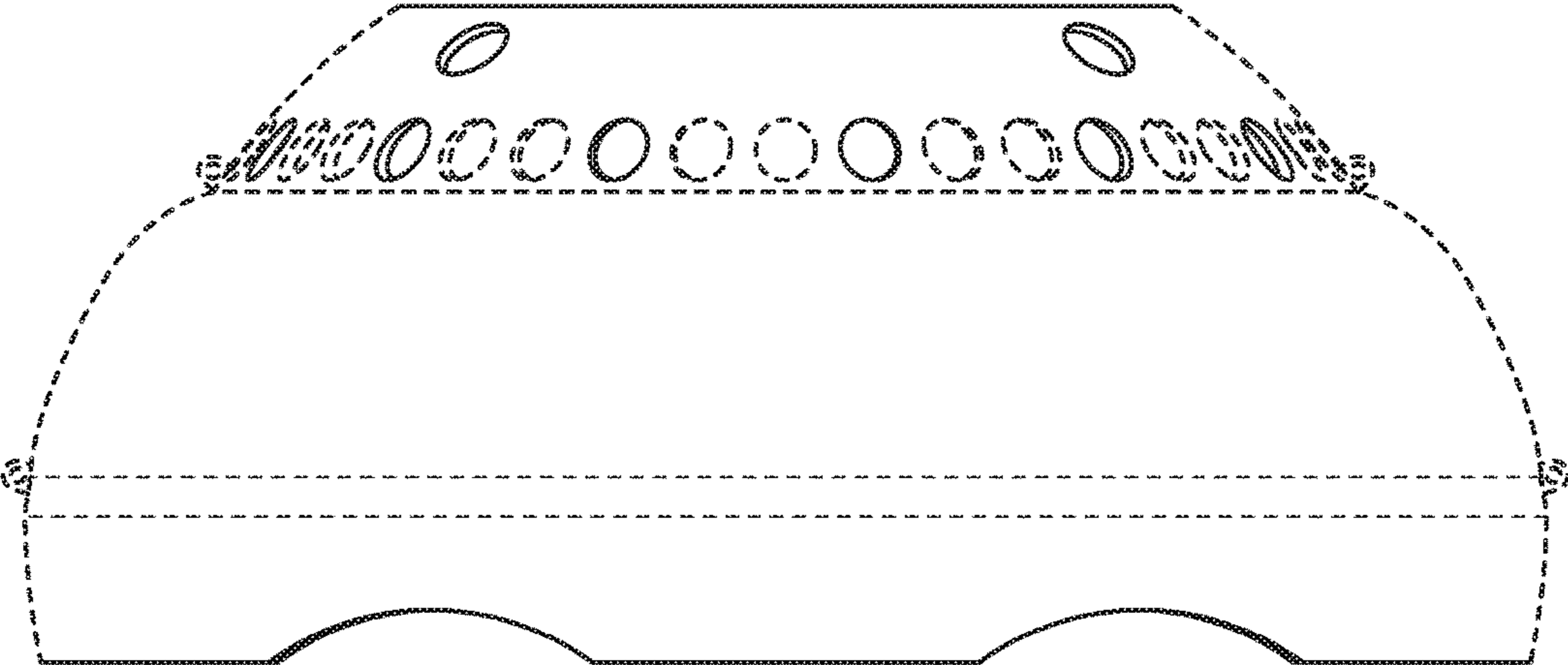


FIG. 33

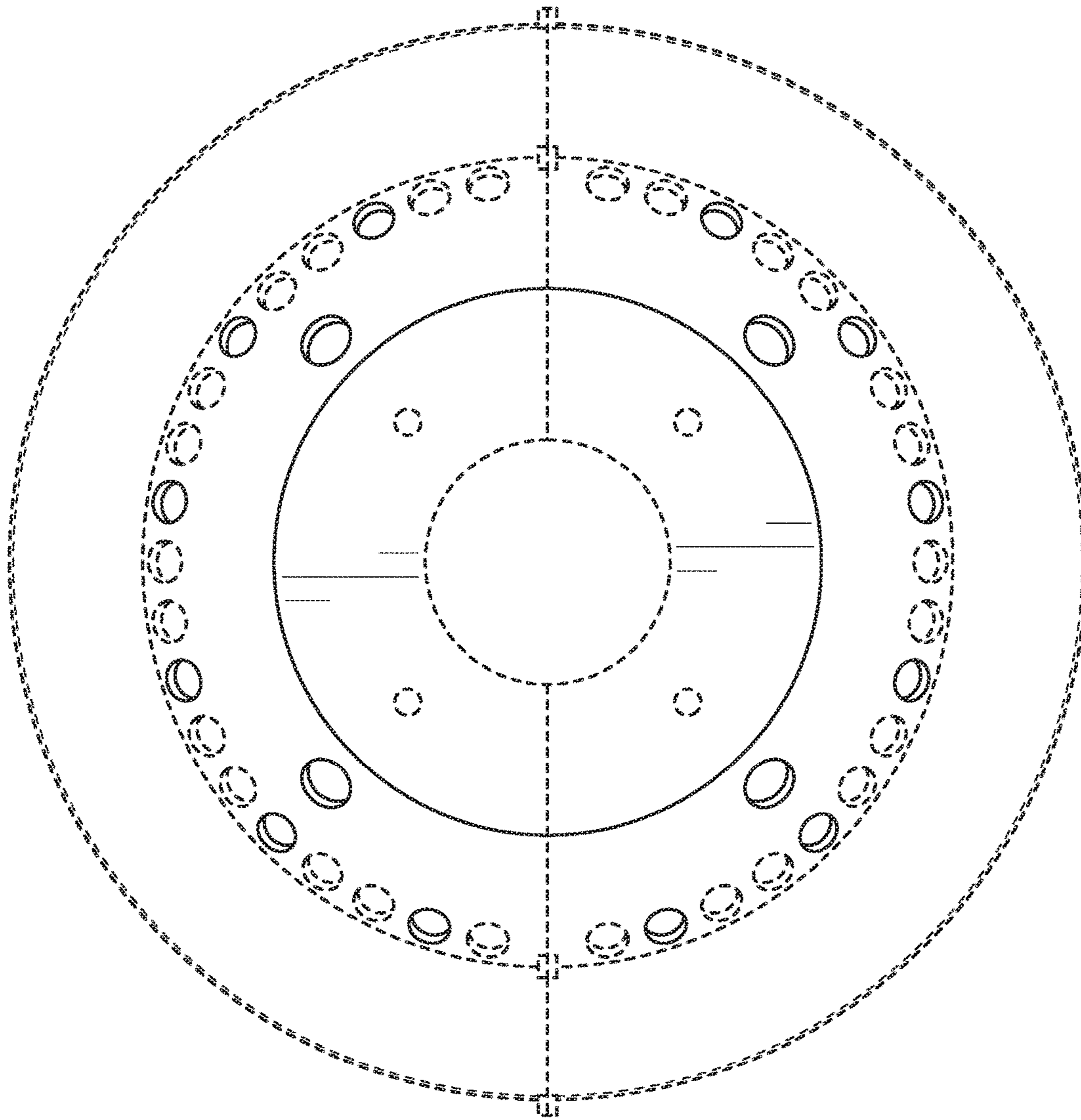


FIG. 34

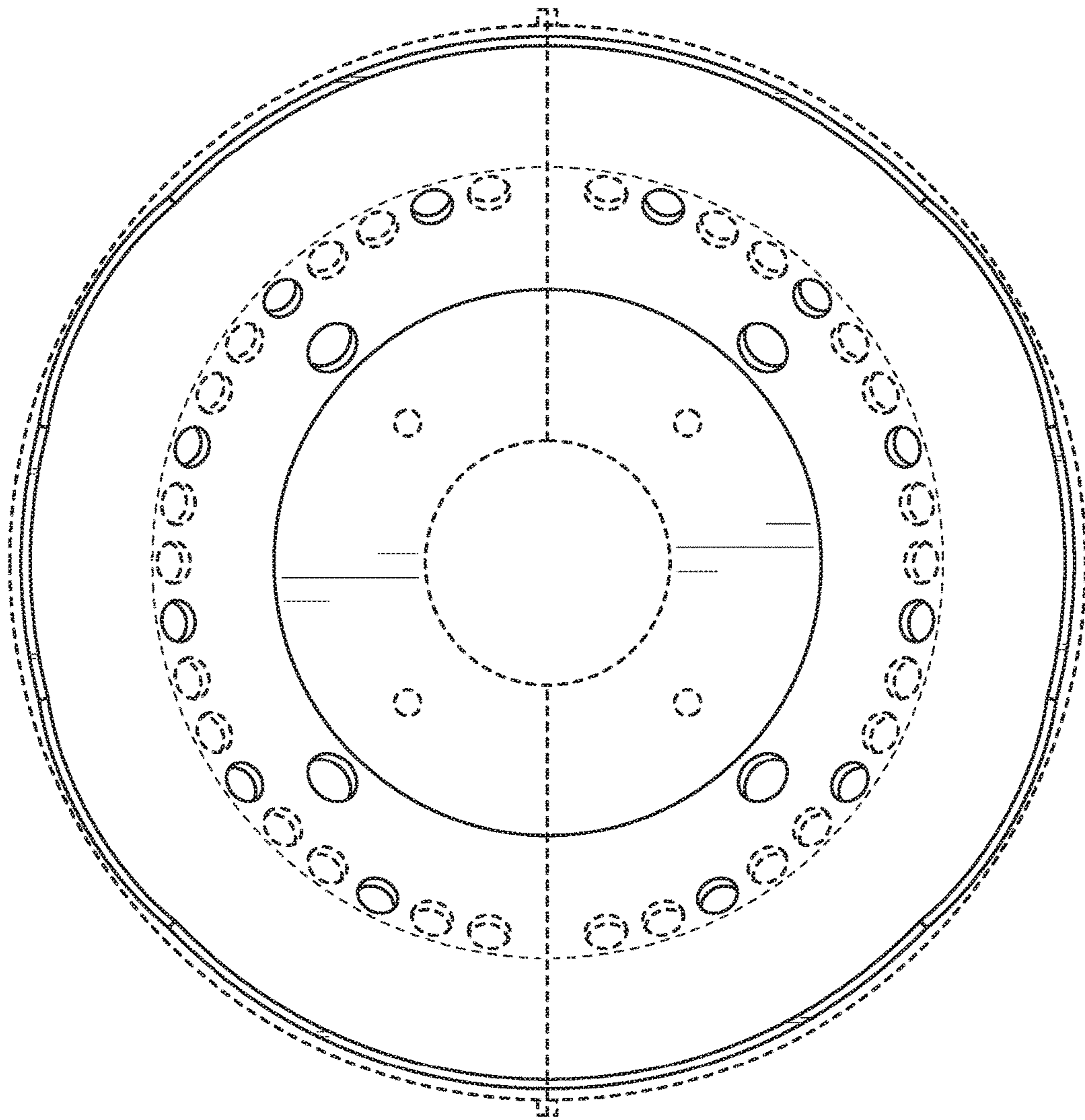


FIG. 35