



US00D816440S

(12) **United States Design Patent** (10) **Patent No.:** **US D816,440 S**
Morabit (45) **Date of Patent:** **** May 1, 2018**

- (54) **CONVERTIBLE TRIMMER HEAD**
- (71) Applicant: **Aero-Flex Technologies, Inc.**, Rock Hill, SC (US)
- (72) Inventor: **Vincent D. Morabit**, Rock Hill, SC (US)
- (73) Assignee: **AERO-FLEX TECHNOLOGIES, INC.**, Rock Hill, SC (US)

4,884,340 A	12/1989	Newman	
5,493,783 A	2/1996	Oostendorp	
5,906,051 A	5/1999	Nannen	
6,415,585 B2	7/2002	Morabit	
6,604,349 B2	8/2003	Deal	
D482,581 S *	11/2003	Nystrom	D8/8
D482,941 S *	12/2003	Nystrom	D8/8
8,567,074 B2 *	10/2013	Arnetoli	A01D 34/4163 30/276
D715,608 S *	10/2014	Cigarini	D8/8
D727,116 S *	4/2015	Tinius	D15/17

(**) Term: **15 Years**

(21) Appl. No.: **29/588,356**

(22) Filed: **Dec. 20, 2016**

Related U.S. Application Data

- (63) Continuation-in-part of application No. 14/632,582, filed on Feb. 26, 2015.
- (51) **LOC (11) Cl.** **08-01**
- (52) **U.S. Cl.**
USPC **D8/8**
- (58) **Field of Classification Search**
USPC D8/1, 7, 8, 9, 383, 499; D15/1, 17
CPC A01D 34/01; A01D 34/412; A01D 34/416;
A01D 34/015; A01D 34/4161; A01D
34/4165; A01D 34/4166; A01D 34/4167;
A01D 34/84; A01G 3/062
See application file for complete search history.

(56) **References Cited**

U.S. PATENT DOCUMENTS

4,095,338 A *	6/1978	Naohiko	A01D 34/4161 30/276
D254,173 S *	2/1980	Proulx	D8/8
4,187,577 A	2/1980	Hansen et al.	
4,224,784 A	9/1980	Hansen et al.	
4,249,311 A	2/1981	Inaga	
4,604,067 A	8/1986	Roberts	
4,790,071 A	12/1988	Helmig et al.	

OTHER PUBLICATIONS

U.S. Office Action dated Mar. 30, 2017 issued in U.S. Appl. No. 14/632,582, 17 pp.

(Continued)

Primary Examiner — Sandra S Snapp
Assistant Examiner — Ieisha N Price
(74) *Attorney, Agent, or Firm* — Nixon & Vanderhye P.C.

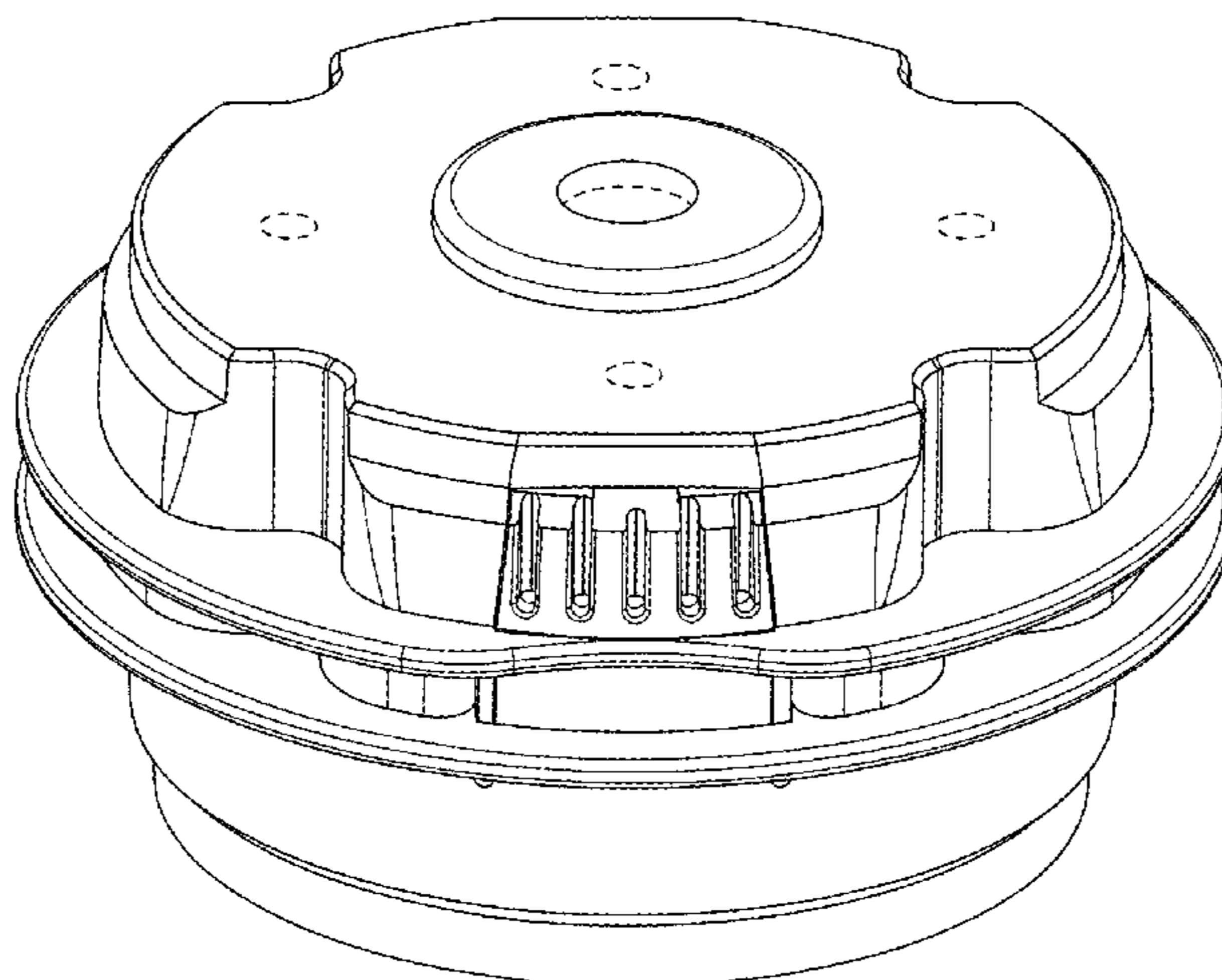
(57) **CLAIM**

The ornamental design for a convertible trimmer head, as shown and described.

DESCRIPTION

FIG. 1 is a top perspective view of a convertible trimmer head;
FIG. 2 is a front view thereof, the rear view being a mirror image;
FIG. 3 is a side view thereof, the opposite side being a mirror image;
FIG. 4 is a top view thereof;
FIG. 5 is a bottom view thereof; and,
FIG. 6 is a bottom perspective view thereof.
The broken lines in the drawings illustrate portions of the convertible trimmer head and form no part of the claimed design.

1 Claim, 6 Drawing Sheets



(56)

References Cited

U.S. PATENT DOCUMENTS

D759,445 S * 6/2016 Tinius D15/17
D763,640 S * 8/2016 Cigarini D8/8
D785,420 S * 5/2017 Tinius D8/8
2002/0029483 A1 3/2002 Price
2003/0131481 A1 7/2003 Sullivan
2004/0154276 A1 8/2004 Brandon
2007/0084061 A1* 4/2007 Bennett A01D 34/416
30/276
2010/0101099 A1 4/2010 Morabit
2012/0131804 A1* 5/2012 Cigarini A01D 34/416
30/347
2014/0150267 A1 6/2014 Sowell
2014/0250699 A1* 9/2014 Weimer A01D 34/4166
30/347
2015/0271992 A1* 10/2015 Nagoshi A01D 34/4161
30/276
2017/0094900 A1* 4/2017 Arnetoli A01D 34/4166

OTHER PUBLICATIONS

U.S. Office Action dated Jul. 27, 2017 issued in U.S. Appl. No. 14/632,582, 21 pp.

U.S. Office Action dated Dec. 8, 2017 issued in U.S. Appl. No. 14/632,582, 20 pp.

* cited by examiner

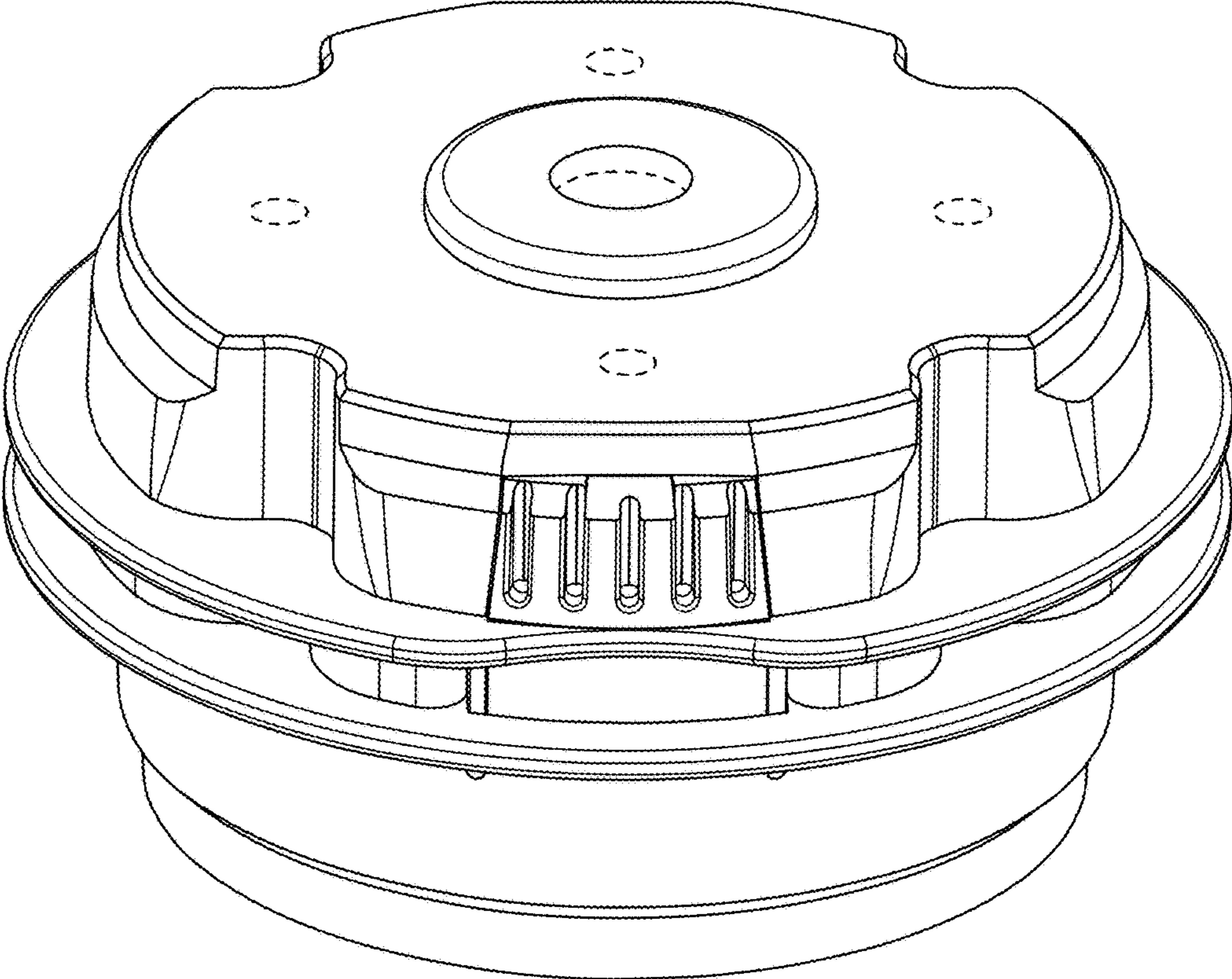


FIG. 1

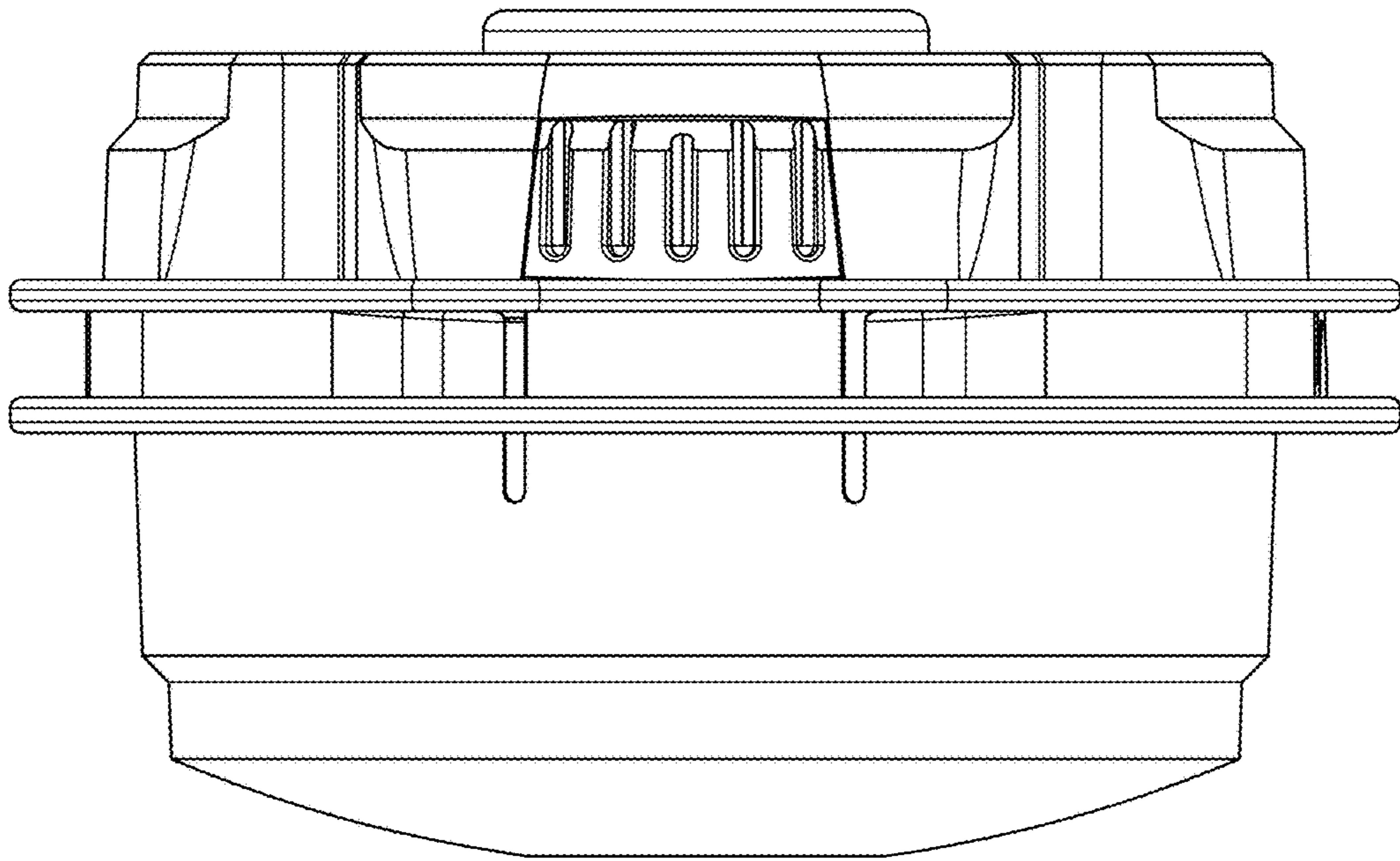


FIG. 2

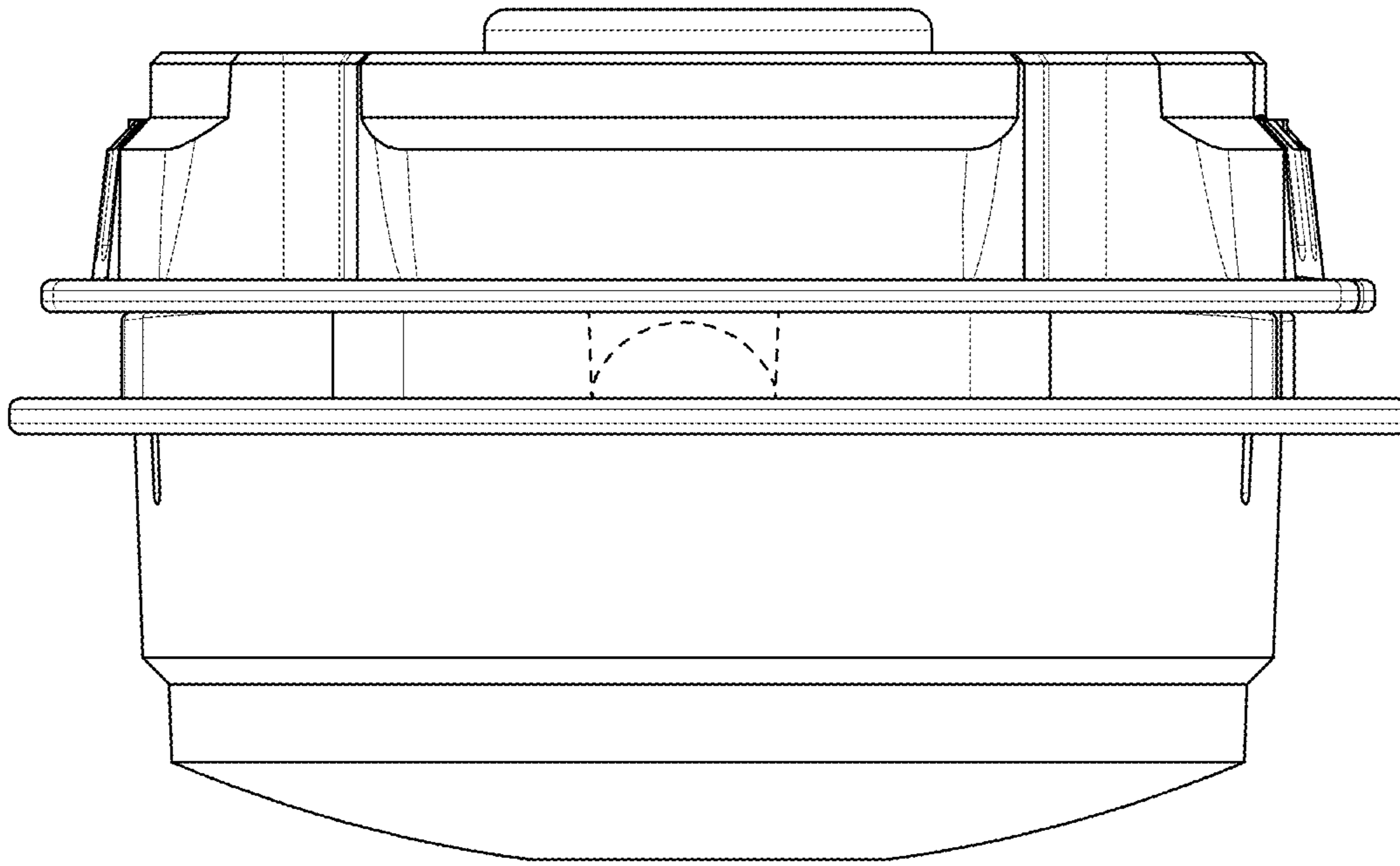


FIG. 3

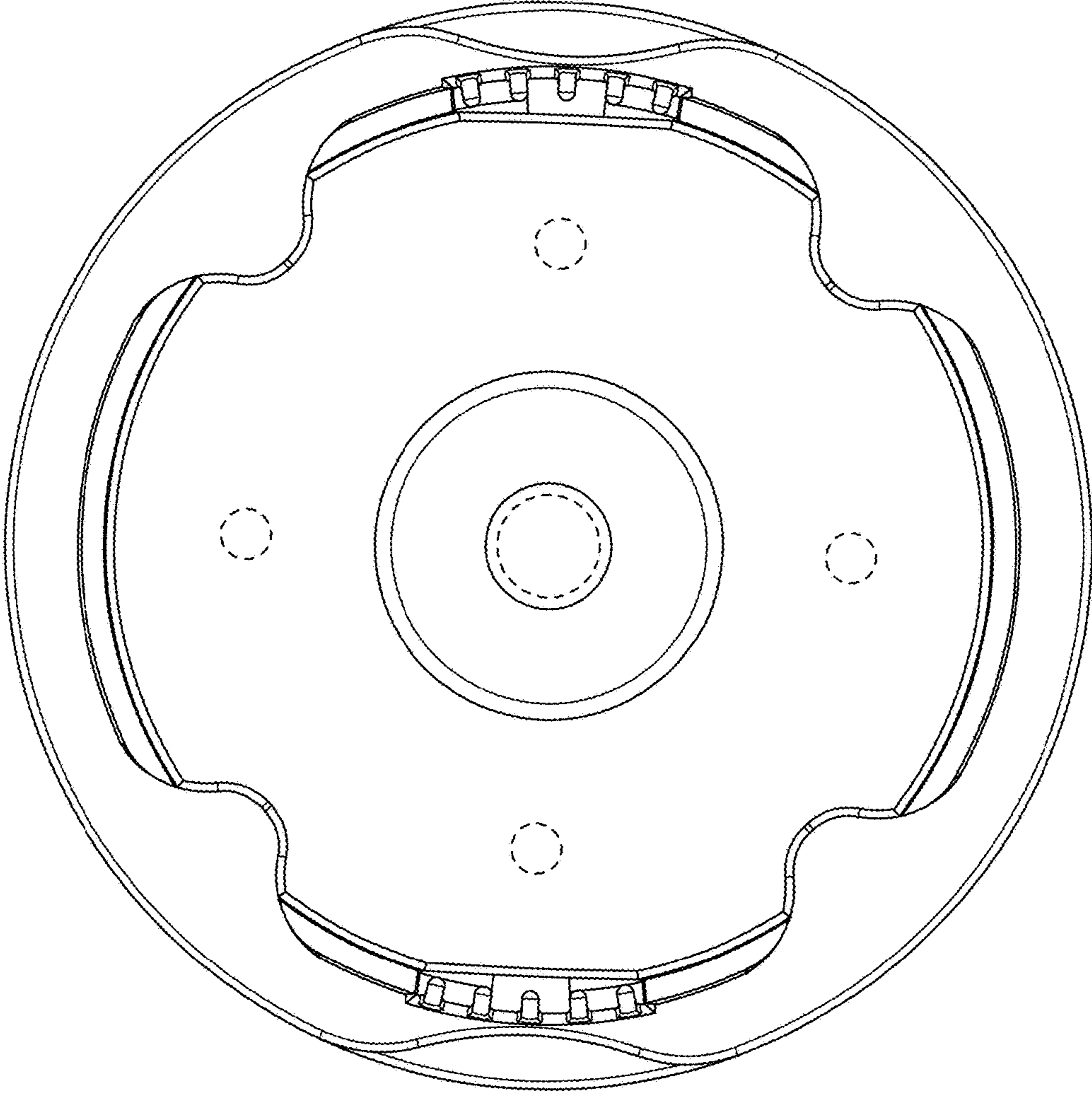


FIG. 4

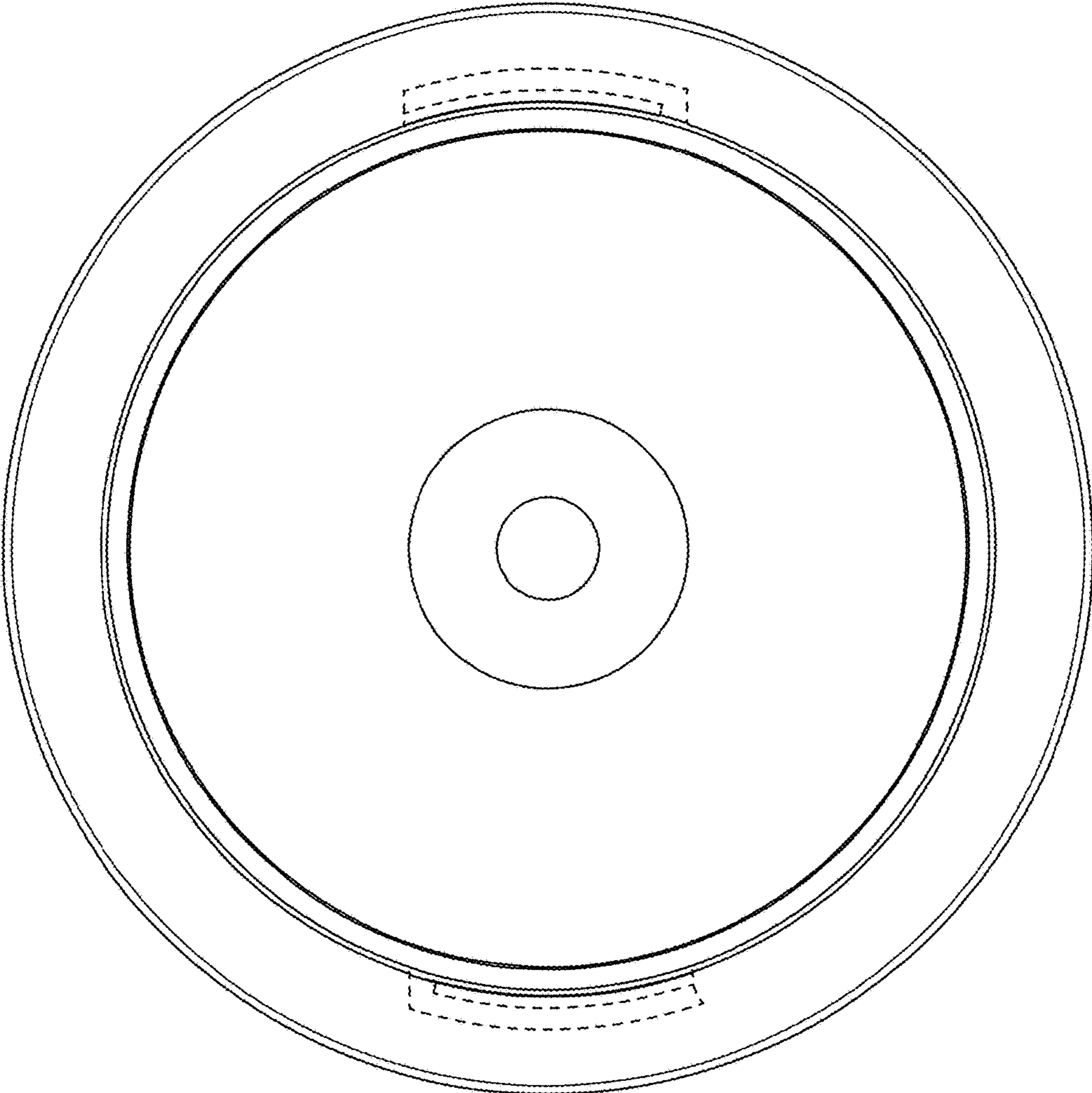


FIG. 5

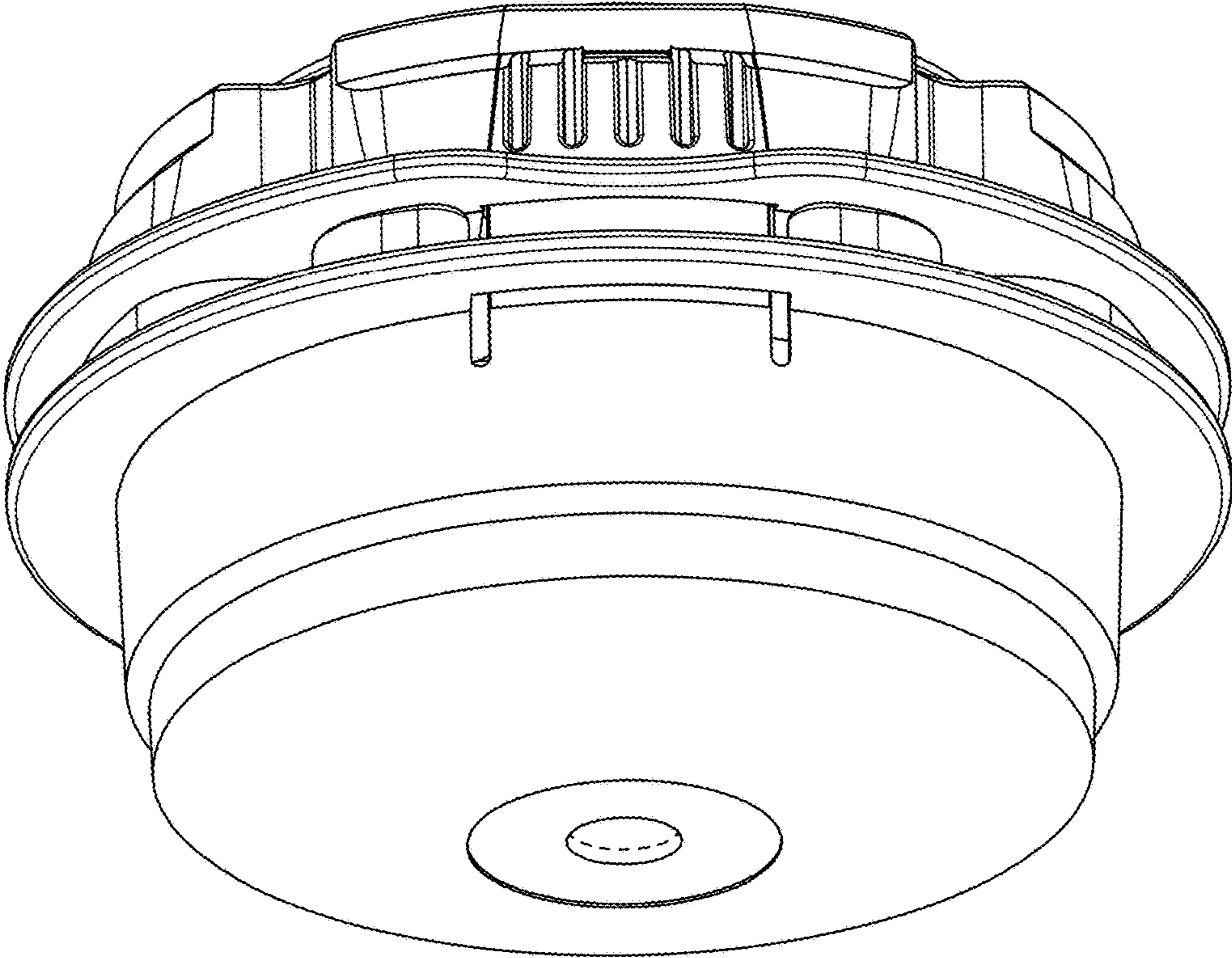


FIG. 6