



US00D816439S

(12) **United States Design Patent** (10) **Patent No.:** **US D816,439 S**
Crook et al. (45) **Date of Patent:** **** May 1, 2018**

(54) **IRRIGATION SPIKE**
(71) Applicant: **Steel Table Group LLC**, North Kansas City, MO (US)
(72) Inventors: **Dale J. Crook**, Olathe, KS (US); **Richard G. Brull**, North Kansas City, MO (US); **Robert M. Coulston**, Kansas City, MO (US); **Brian A. Hager**, Lenexa, KS (US); **Curtis R. McMillan**, Kansas City, MO (US); **Stanton W. Fernald**, Gardner, KS (US)

4,017,958 A 4/1977 Diggs
D263,903 S * 4/1982 Johnston D23/217
D284,785 S * 7/1986 Lemkin D23/217
4,870,781 A * 10/1989 Jones A01G 29/00
248/27.8

(Continued)

FOREIGN PATENT DOCUMENTS

EP 2458254 5/2012

OTHER PUBLICATIONS

“Antelco A8495 Drip Mate Professional Drip Irrigation Kit for Drip Irrigation Systems”, <http://www.sprinklerwarehouse.com/Antelco-Drip-Irrigation-Kits-p/a834>, 2012, 1-2.

(Continued)

(73) Assignee: **Steel Table Group LLC**, North Kansas City, MO (US)
(**) Term: **15 Years**
(21) Appl. No.: **29/590,307**
(22) Filed: **Jan. 9, 2017**

Primary Examiner — Robin V Webster
(74) *Attorney, Agent, or Firm* — Law Office of Mark Brown, LLC; Christopher M. DeBacker

Related U.S. Application Data

(63) Continuation-in-part of application No. 14/588,125, filed on Dec. 31, 2014.
(51) **LOC (11) Cl.** **08-01**
(52) **U.S. Cl.**
USPC **D8/1**
(58) **Field of Classification Search**
USPC D23/214, 217, 218, 221; 47/48.5; 239/288, 288.5, 273, 276, 280; 248/75, 248/87; D8/1
CPC A01G 29/00; B05B 15/062
See application file for complete search history.

(57) **CLAIM**

The ornamental design for an irrigation spike, as shown and described.

DESCRIPTION

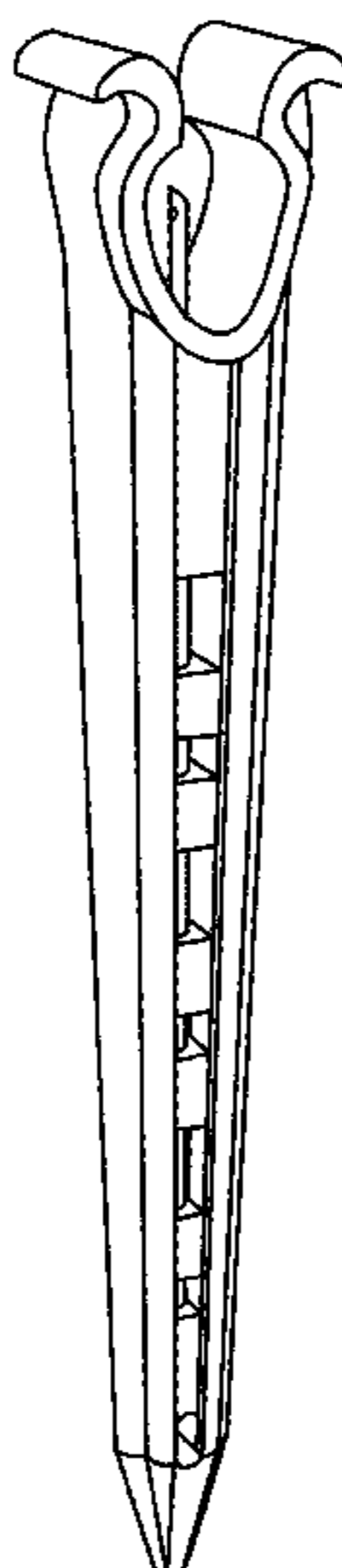
FIG. 1 is a perspective view of an irrigation spike showing our new design;
FIG. 2 is a side elevational view of thereof.
FIG. 3 is a top plan view thereof.
FIG. 4 is a front elevational view thereof.
FIG. 5 is a bottom plan view thereof.
FIG. 6 is a perspective view thereof shown in a typical environment including a garden hose;
FIG. 7 is a side elevational view thereof; and,
FIG. 8 is a front elevational view thereof.
The broken line showing of a garden hose in FIGS. 6-8 is included for the purpose of illustrating and forms no part of the claimed design.

(56) **References Cited**

U.S. PATENT DOCUMENTS

2,875,713 A 3/1959 Shoffner
3,473,770 A * 10/1969 Edgerton B05B 15/062
24/351
3,659,536 A 5/1972 White

1 Claim, 8 Drawing Sheets



(56)

References Cited

U.S. PATENT DOCUMENTS

4,944,476 A * 7/1990 Olson A01G 25/00
239/276
D316,367 S * 4/1991 Olson D23/217
5,158,231 A * 10/1992 Christen A01G 25/00
239/276
5,172,515 A 12/1992 Lapshansky et al.
D339,508 S * 9/1993 Zeman D23/217
D340,626 S * 10/1993 Zeman D23/217
D341,755 S * 11/1993 Zeman D23/217
5,435,490 A 7/1995 MacHut
D378,439 S * 3/1997 Gary D21/840
5,618,000 A 4/1997 Lantzy et al.
5,881,495 A 5/1999 Clark
6,243,986 B1 6/2001 Crowley
6,343,616 B1 2/2002 Houtchens
6,430,767 B1 8/2002 Ramos et al.
D481,444 S * 10/2003 Guo D23/217
6,773,036 B1 8/2004 King
D497,973 S * 11/2004 Schapper D23/217
D577,966 S * 10/2008 Cosimo D8/1
D602,119 S * 10/2009 Terribile D23/217

D651,486 S * 1/2012 Li D8/1
8,413,372 B2 4/2013 King
2004/0089738 A1 5/2004 Heren
2008/0005960 A1 1/2008 King
2009/0236490 A1 9/2009 Belford
2012/0223156 A1 9/2012 Nourian
2012/0260568 A1 10/2012 King
2017/0175939 A1 6/2017 Nourian

OTHER PUBLICATIONS

“Buy Drip Irrigation Spikes: Delivery by Crocus.co.uk”, http://www.crocus.co.uk/product/_/drip-irrigation-spikes/classid.200001, 2014, 1.
“Drip and Low-Flow Irrigation—Drippers—Lee Valley Tools”, <http://www.leevalley.com/en/garden/page.aspx?p=49665&cat=2,2280,49657>, 2014, 1-3.
“Drip Irrigation Spike, Stakes, Hold-Downs & Clips Irrigation Direct”, <http://www.irrigationdirect.com/irrigation-products-and-supplies/drip-irri>, 2014, 1-2.
“International Search Report and Written Opinion”, PCT/US2015/068322, dated Mar. 17, 2016, pp. 1-11.

* cited by examiner

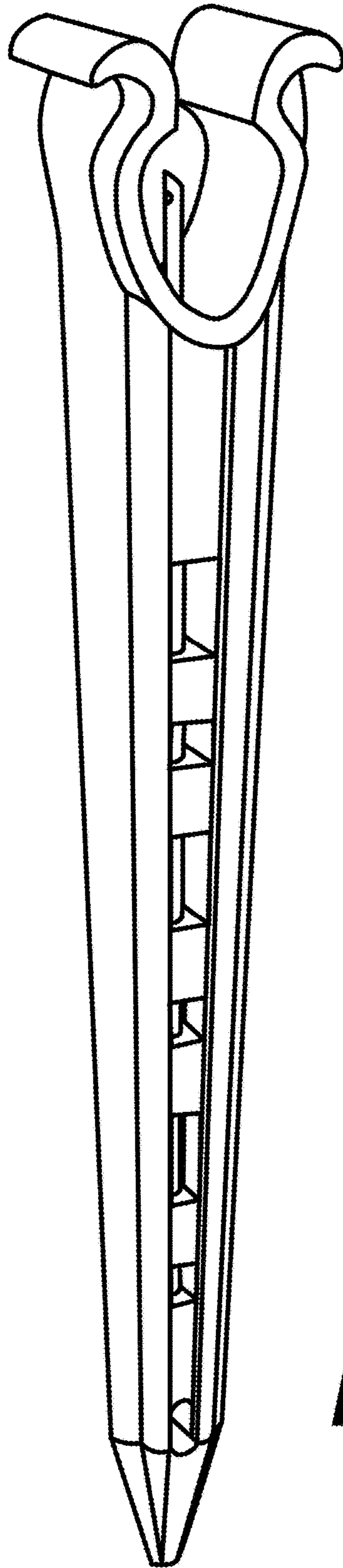


FIG. 1

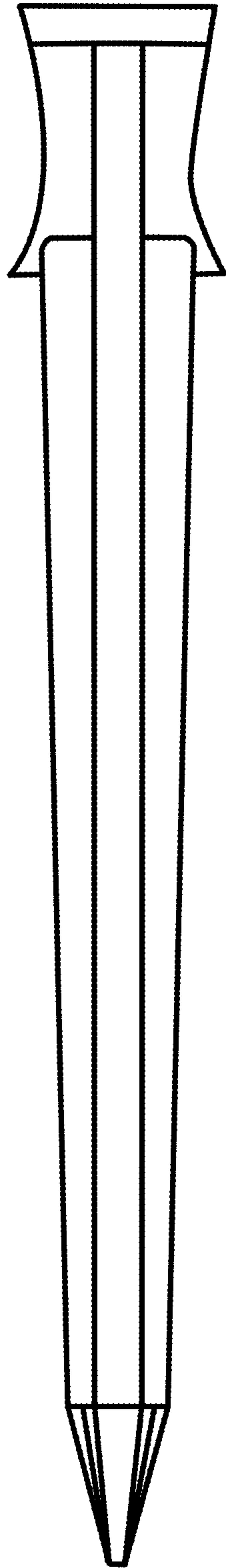


FIG. 2

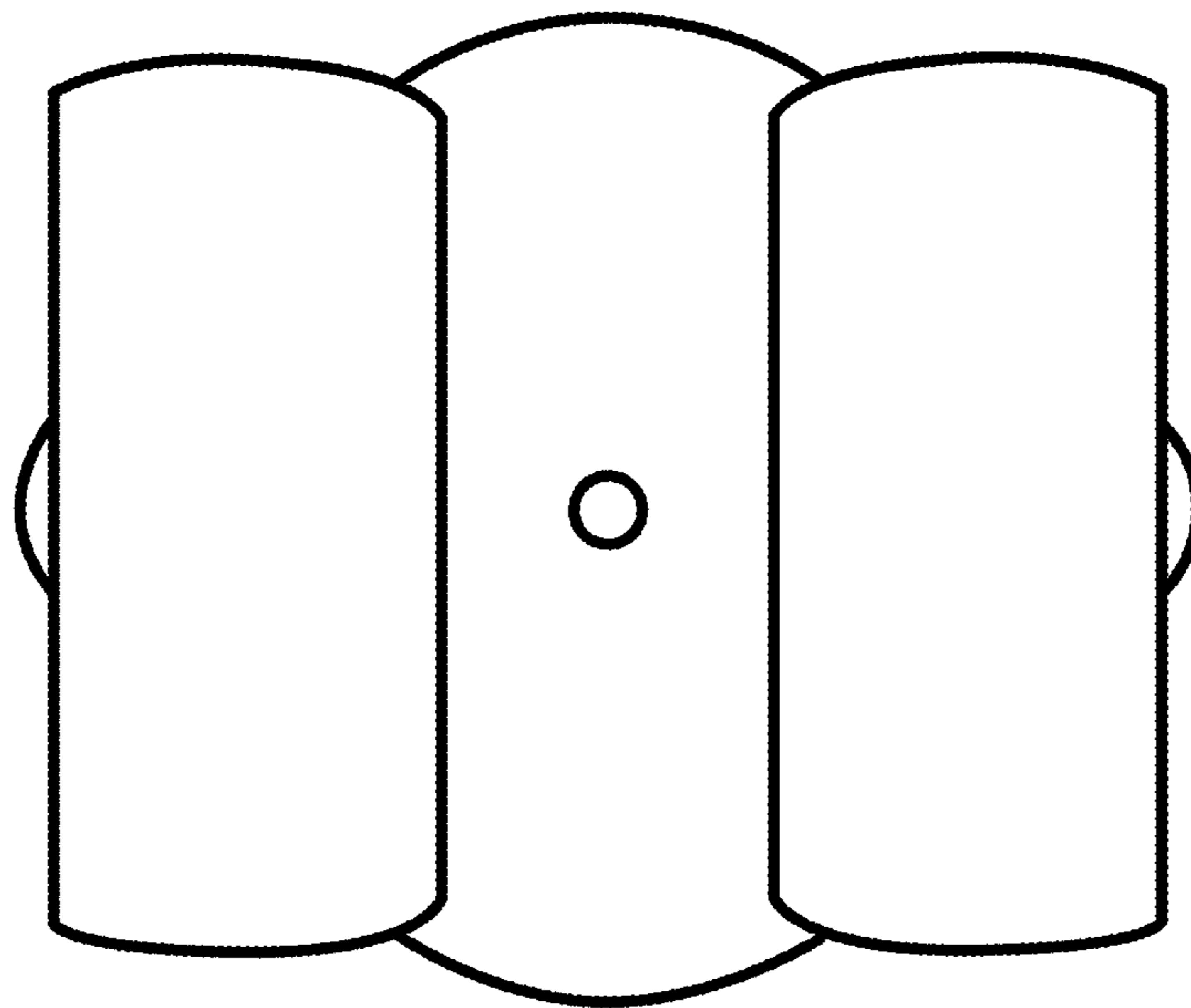


FIG. 3

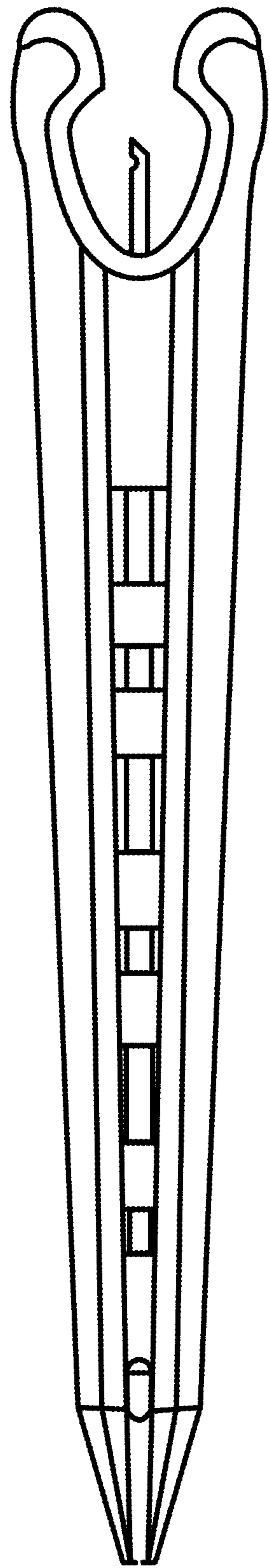


FIG. 4

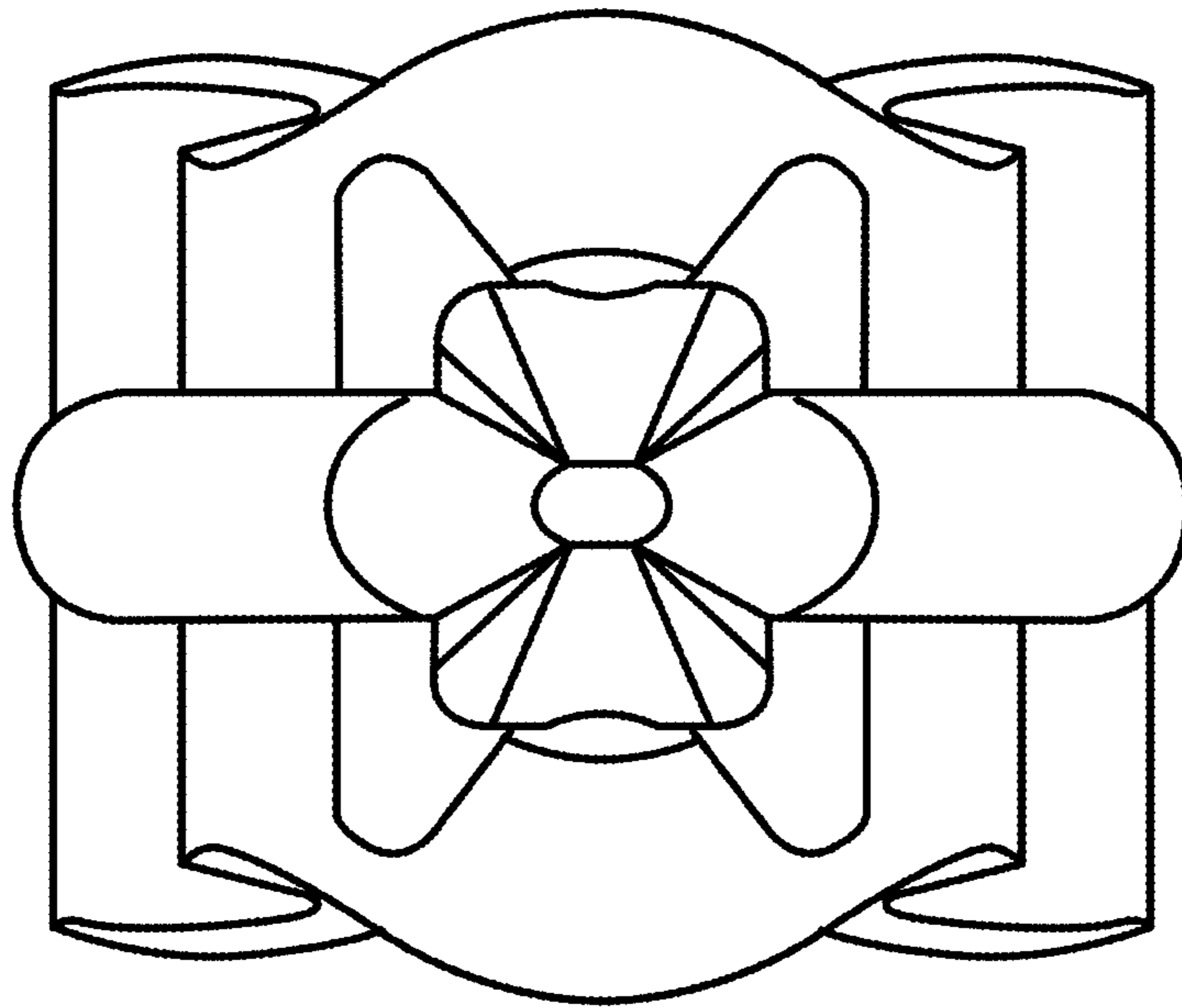


FIG. 5

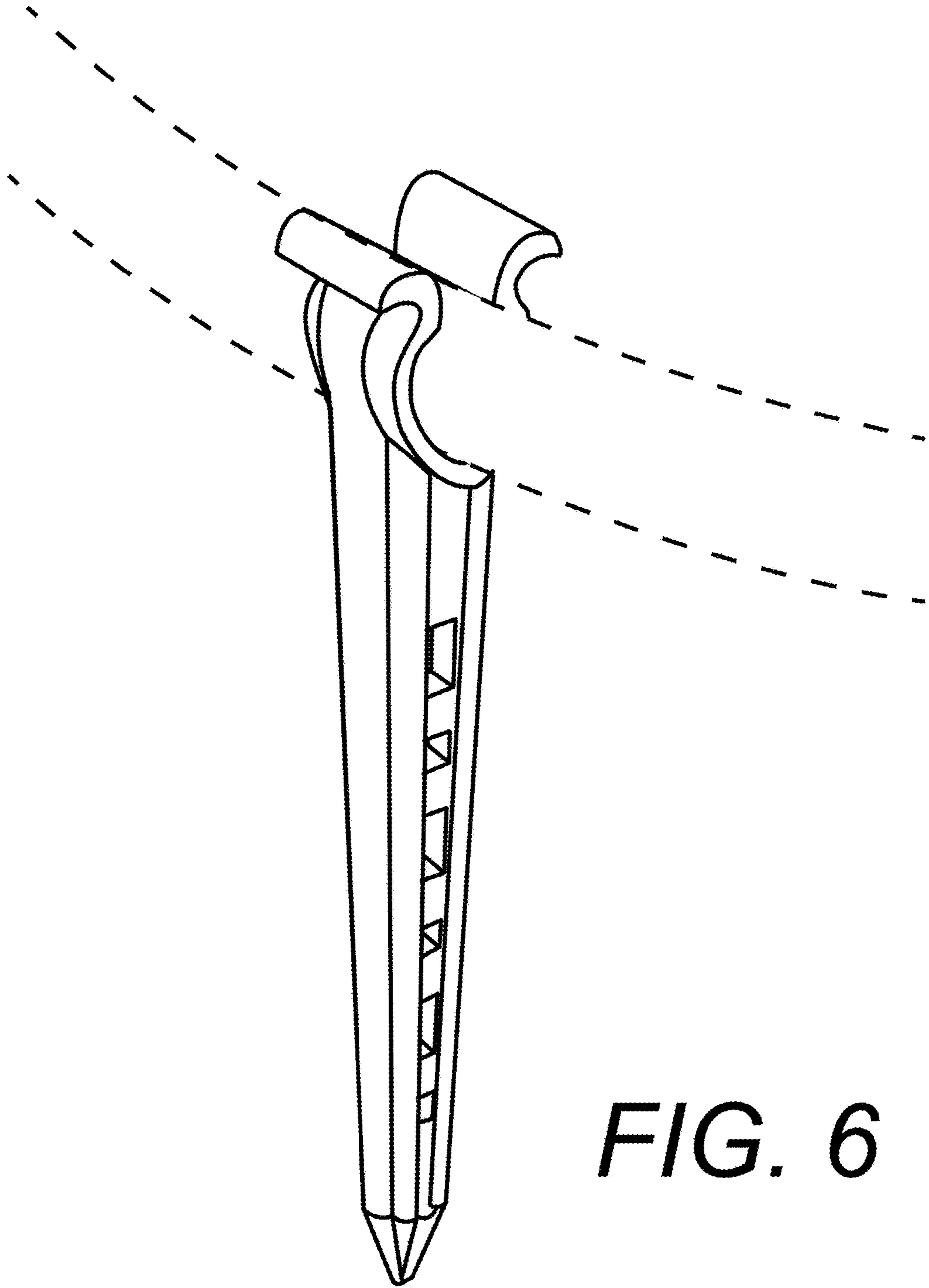


FIG. 6

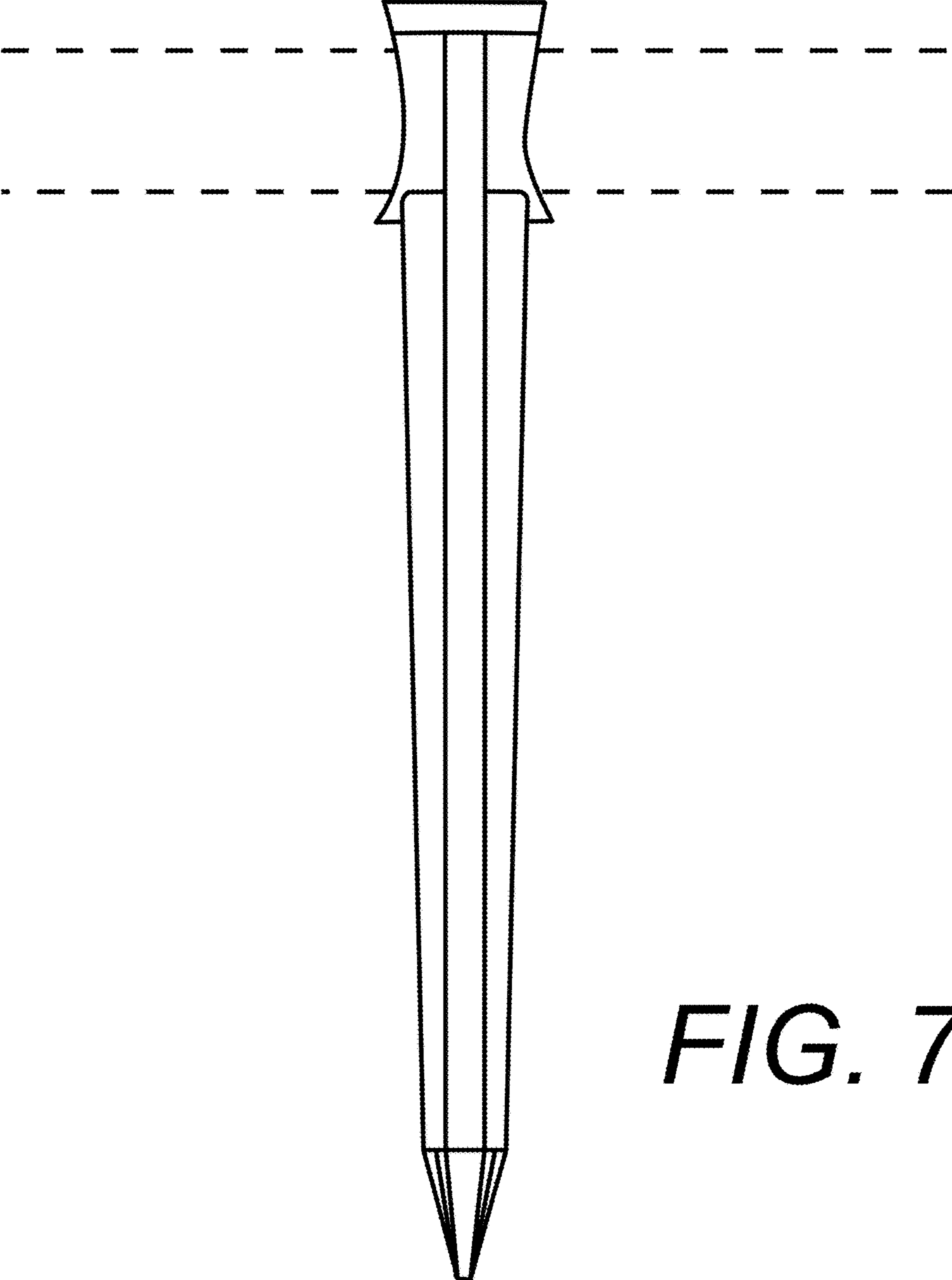


FIG. 7

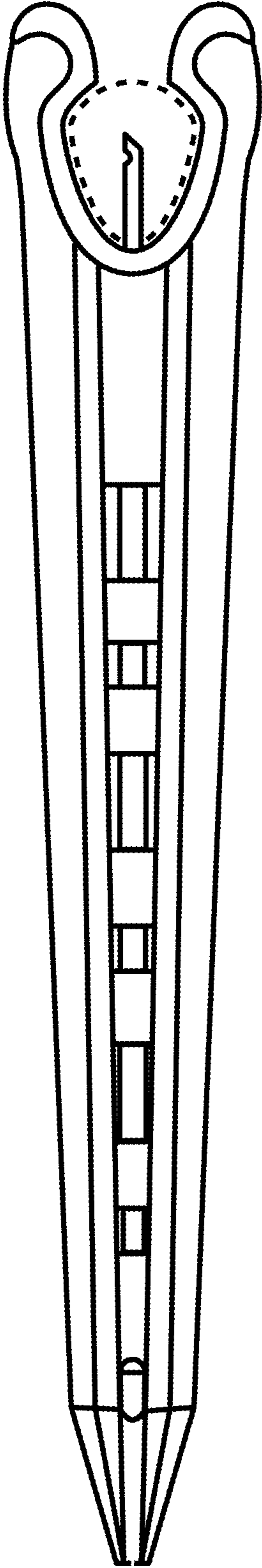


FIG. 8