



US00D816429S

(12) **United States Design Patent**  
**Bouveret**

(10) **Patent No.:** **US D816,429 S**

(45) **Date of Patent:** **\*\* May 1, 2018**

(54) **FOOD CONTAINER**

(71) Applicant: **NORTH AMERICA I.M.L.**  
**CONTAINERS, St-Placide (CA)**

(72) Inventor: **Nicolas Bouveret, St-Placide (CA)**

(73) Assignee: **NORTH AMERICA I.M.L.**  
**CONTAINERS INC. (CA)**

(\*\*) Term: **15 Years**

(21) Appl. No.: **29/571,225**

(22) Filed: **Jul. 15, 2016**

(51) **LOC (11) Cl.** ..... **09-07**

(52) **U.S. Cl.**  
USPC ..... **D7/629**

(58) **Field of Classification Search**  
USPC ..... D7/629, 630, 601, 602, 538-542, 612,  
D7/608, 300, 312, 316, 323, 353, 900,  
D7/387, 368, 388, 397, 402, 403, 412,  
D7/500, 550.1, 552.1, 552.2, 553.1,  
D7/553.2, 553.3, 554.4, 555;  
D9/424-433, 445, 500, 501, 503, 504,  
D9/516, 549, 575, 415-419, 737, 761,  
D9/760, 759, 756, 479, 478, 420, 421  
CPC ..... B65D 85/50; B65D 85/505; B65D 85/52;  
B65D 43/02; B65D 1/26; B65D 43/0206;  
B65D 43/0214; B65D 81/18; B65D  
53/00; B65D 43/163; B65D 21/0219;  
B65D 25/04; B65D 21/0233; B65D  
25/18; A47J 47/01; A47J 42/14; A47J  
42/34; A47J 42/50; A47J 47/02; A47J  
47/08; A47J 47/10

See application file for complete search history.

(56) **References Cited**

**U.S. PATENT DOCUMENTS**

2,780,385 A \* 2/1957 Tupper ..... A47J 47/02  
220/797  
3,155,267 A \* 11/1964 Swett ..... A47J 43/284  
220/23.87

3,394,861 A \* 7/1968 Truax ..... B65D 25/04  
220/256.1  
D241,599 S \* 9/1976 Croyle et al. .... D7/629  
4,576,309 A \* 3/1986 Tzifkansky ..... A47G 19/26  
220/360  
D330,311 S \* 10/1992 Narsutis ..... D7/629  
D330,312 S \* 10/1992 Narsutis ..... D7/629  
D334,114 S \* 3/1993 Narsutis ..... D7/629  
D351,090 S \* 10/1994 Narsutis ..... D7/629  
D351,765 S \* 10/1994 Beeler ..... D7/538  
D363,662 S \* 10/1995 Plater ..... D3/304

(Continued)

*Primary Examiner* — Shannon W Morgan

(74) *Attorney, Agent, or Firm* — Norton Rose Fulbright  
Canada LLP

(57) **CLAIM**

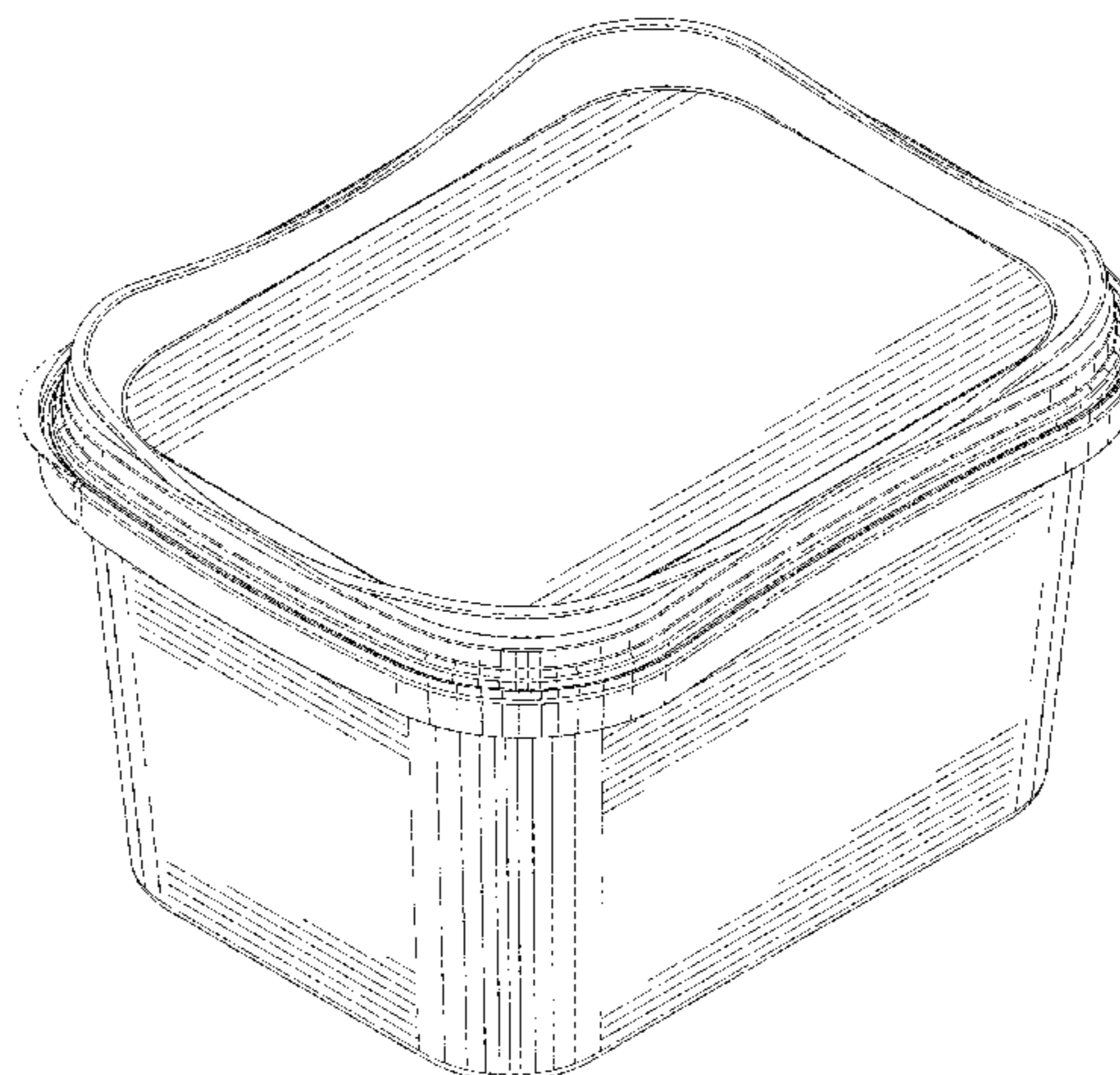
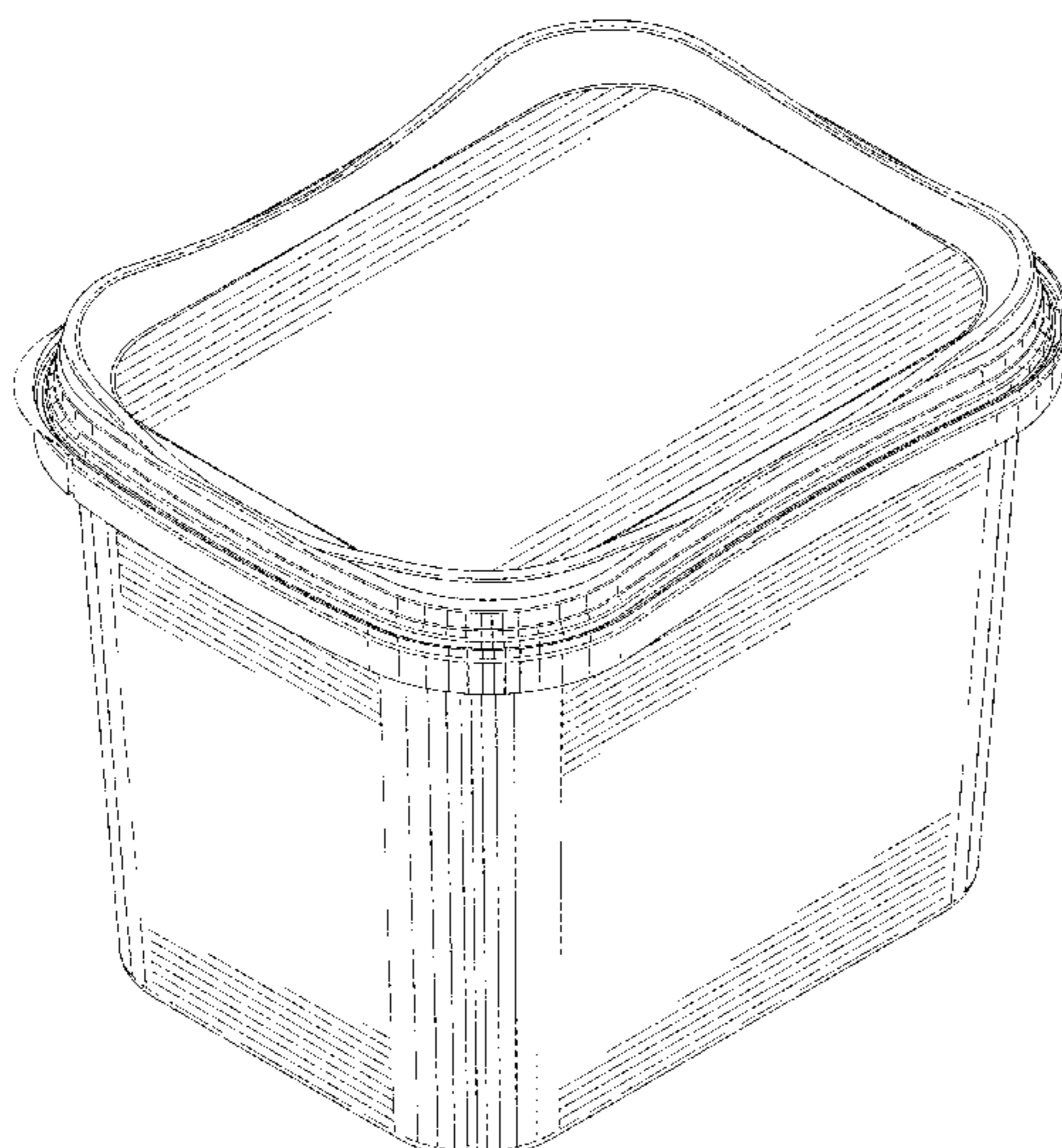
The ornamental design for a food container, as shown and described.

**DESCRIPTION**

FIG. 1 is a top perspective view of a first embodiment of a food container showing the new design; FIG. 2 is a front elevational view thereof; FIG. 3 is a rear elevational view thereof; FIG. 4 is a right side elevational view thereof; FIG. 5 is a left side elevational view thereof; FIG. 6 is a top plan view thereof; FIG. 7 is a bottom plan view thereof; FIG. 8 is a top perspective view of a second embodiment of a food container showing the new design; FIG. 9 is a front elevational view thereof; FIG. 10 is a rear elevational view thereof; FIG. 11 is a right side elevational view thereof; FIG. 12 is a left side elevational view thereof; FIG. 13 is a top plan view thereof; and, FIG. 14 is a bottom plan view thereof.

The broken lines in the figures depict portions of the food container that form no part of the claimed design.

**1 Claim, 14 Drawing Sheets**



(56)

## References Cited

## U.S. PATENT DOCUMENTS

D363,663 S \* 10/1995 Plater ..... D9/425  
D403,924 S \* 1/1999 Carlson ..... D7/602  
D439,839 S \* 4/2001 Wolf ..... D9/425  
D469,352 S \* 1/2003 Conti ..... D9/424  
D489,975 S \* 5/2004 Jackson ..... D9/425  
D548,588 S \* 8/2007 Bouveret ..... D9/428  
D551,515 S \* 9/2007 Ablo ..... D7/629  
7,357,273 B1 \* 4/2008 Lutz ..... A47J 36/027  
220/366.1  
D568,693 S \* 5/2008 Furlong ..... D7/629  
D568,694 S \* 5/2008 Furlong ..... D7/629  
D595,128 S \* 6/2009 Bouveret ..... D7/545  
D618,516 S \* 6/2010 DiPietro ..... D7/629  
D630,899 S \* 1/2011 Samartgis ..... D7/602  
D644,886 S \* 9/2011 Samartgis ..... D7/602  
D649,409 S \* 11/2011 Segal ..... D7/629  
D649,410 S \* 11/2011 Segal ..... D7/629  
D677,996 S \* 3/2013 Shirley ..... D7/629  
D697,763 S \* 1/2014 Carlson ..... D7/602  
D700,482 S \* 3/2014 Yessin ..... D7/629  
D700,483 S \* 3/2014 Yessin ..... D7/629  
D706,131 S \* 6/2014 Brooks ..... D9/428  
D708,016 S \* 7/2014 Carlson ..... D7/602  
D712,703 S \* 9/2014 Lipinski ..... D7/602  
D718,983 S \* 12/2014 Yessin ..... D7/629  
2004/0222227 A1 \* 11/2004 Steg ..... B65D 43/0214  
220/359.2  
2006/0124654 A1 \* 6/2006 Cai ..... B65D 43/0249  
220/780  
2013/0306636 A1 \* 11/2013 Wulf ..... B65D 43/0212  
220/259.1

\* cited by examiner

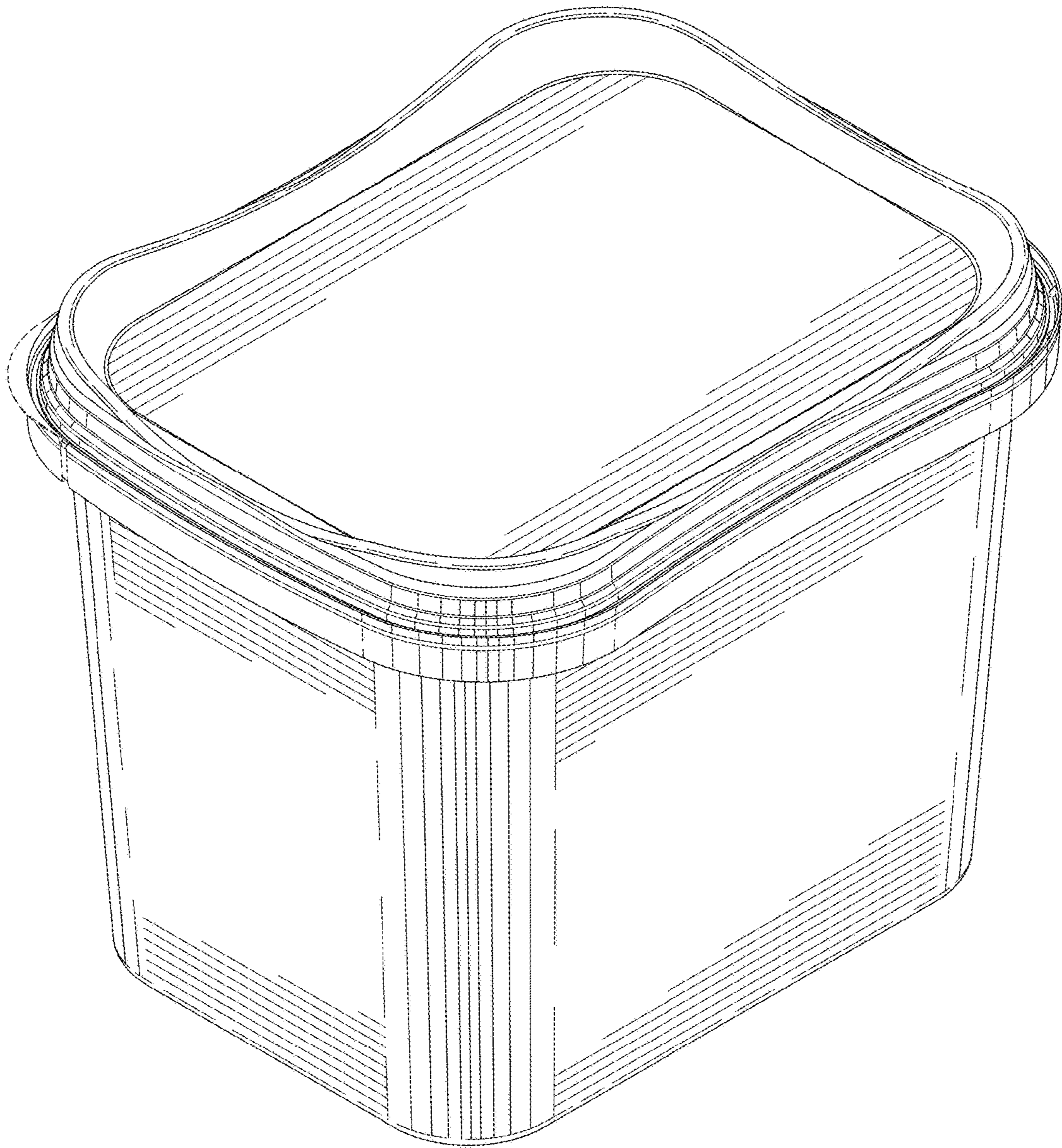


FIG. 1

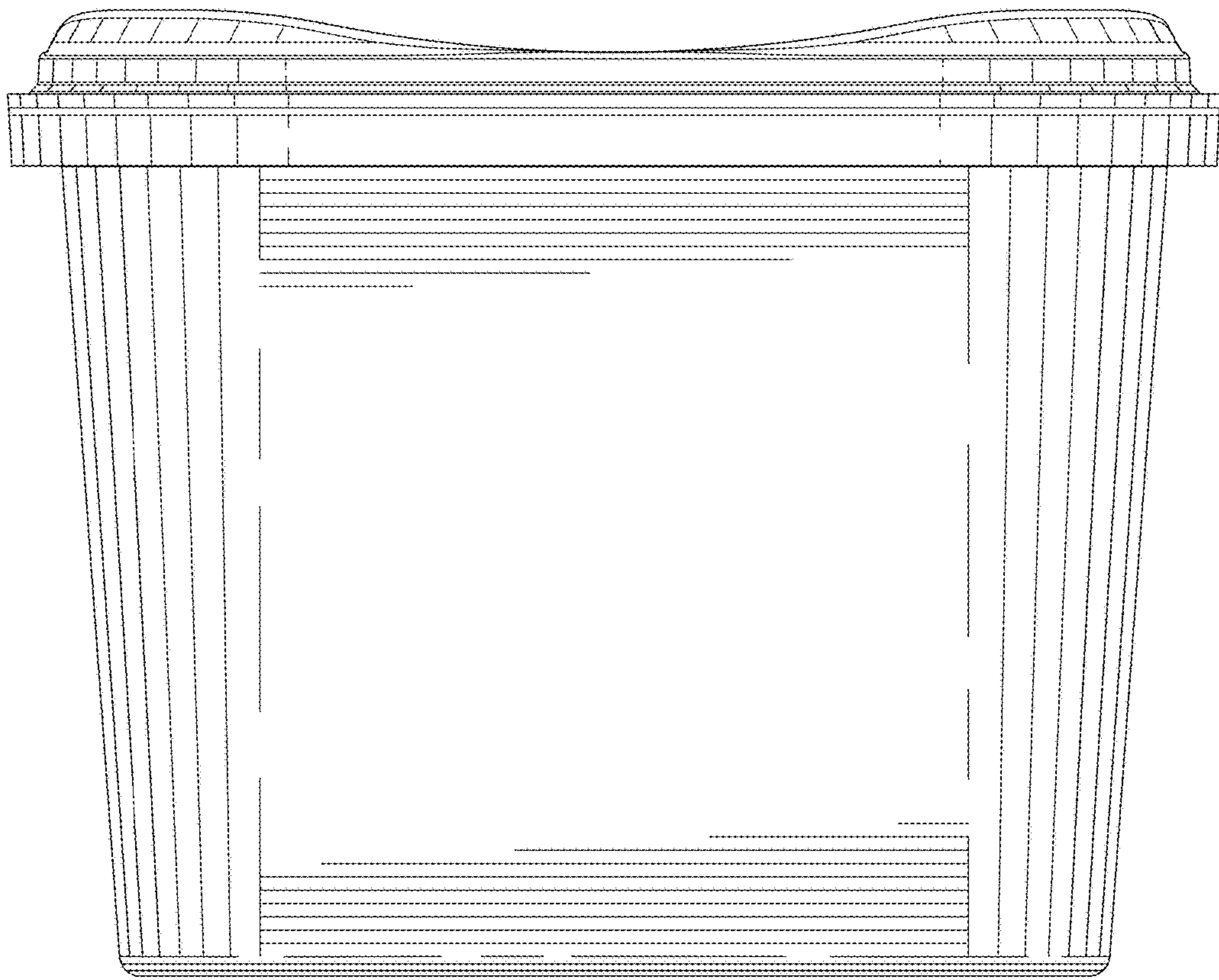


FIG. 2

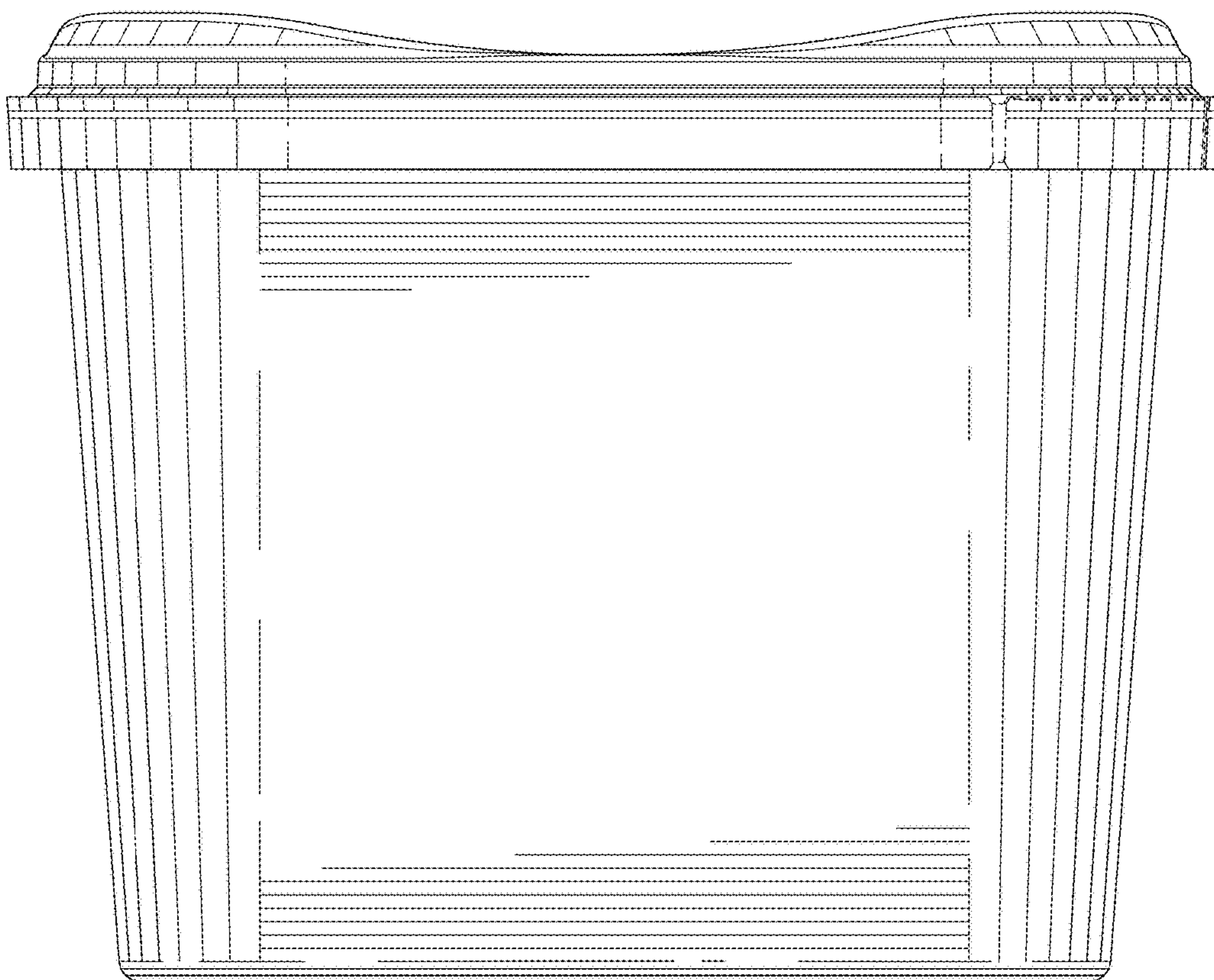


FIG. 3

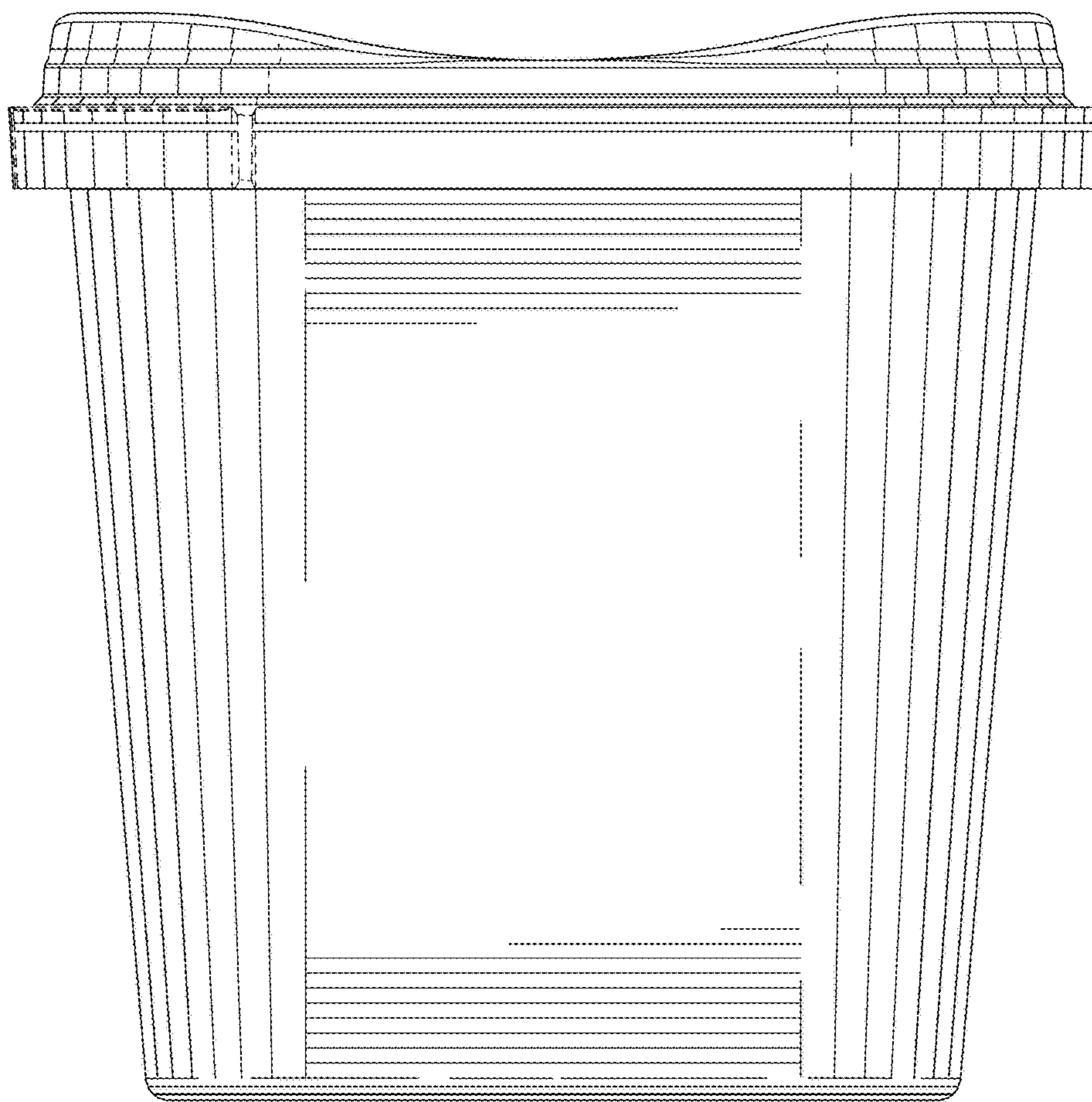
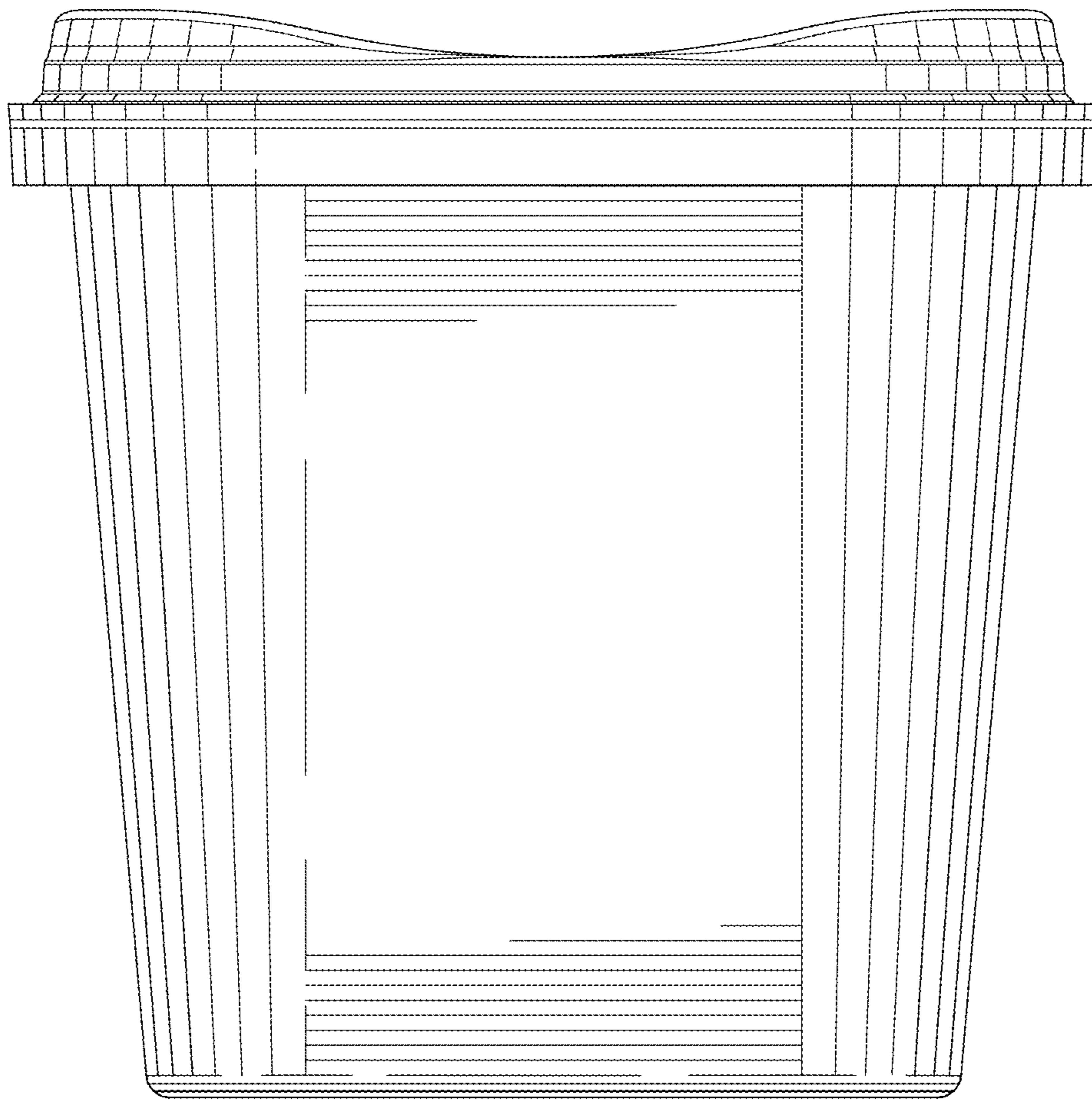
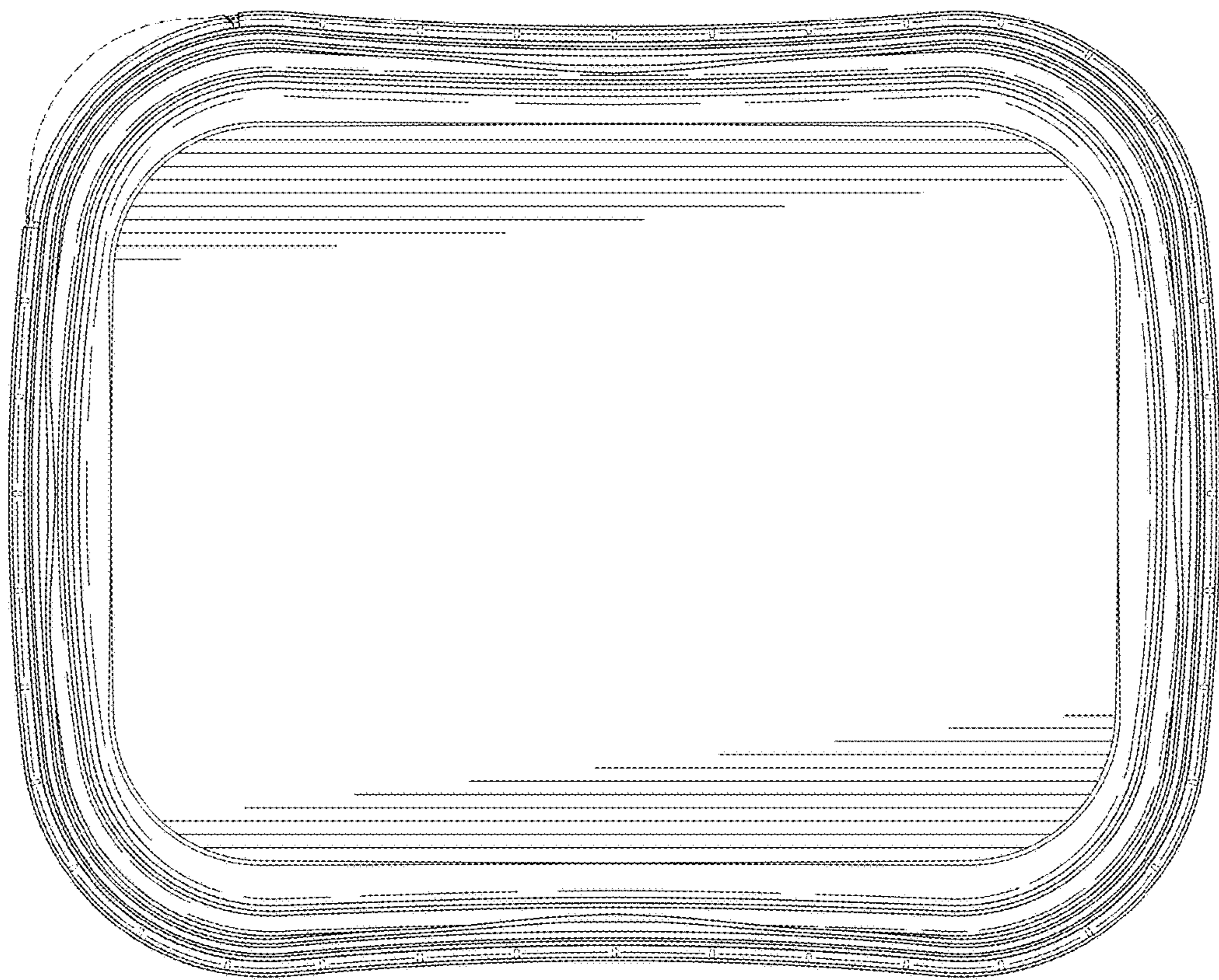


FIG. 4



*FIG. 5*



*FIG. 6*



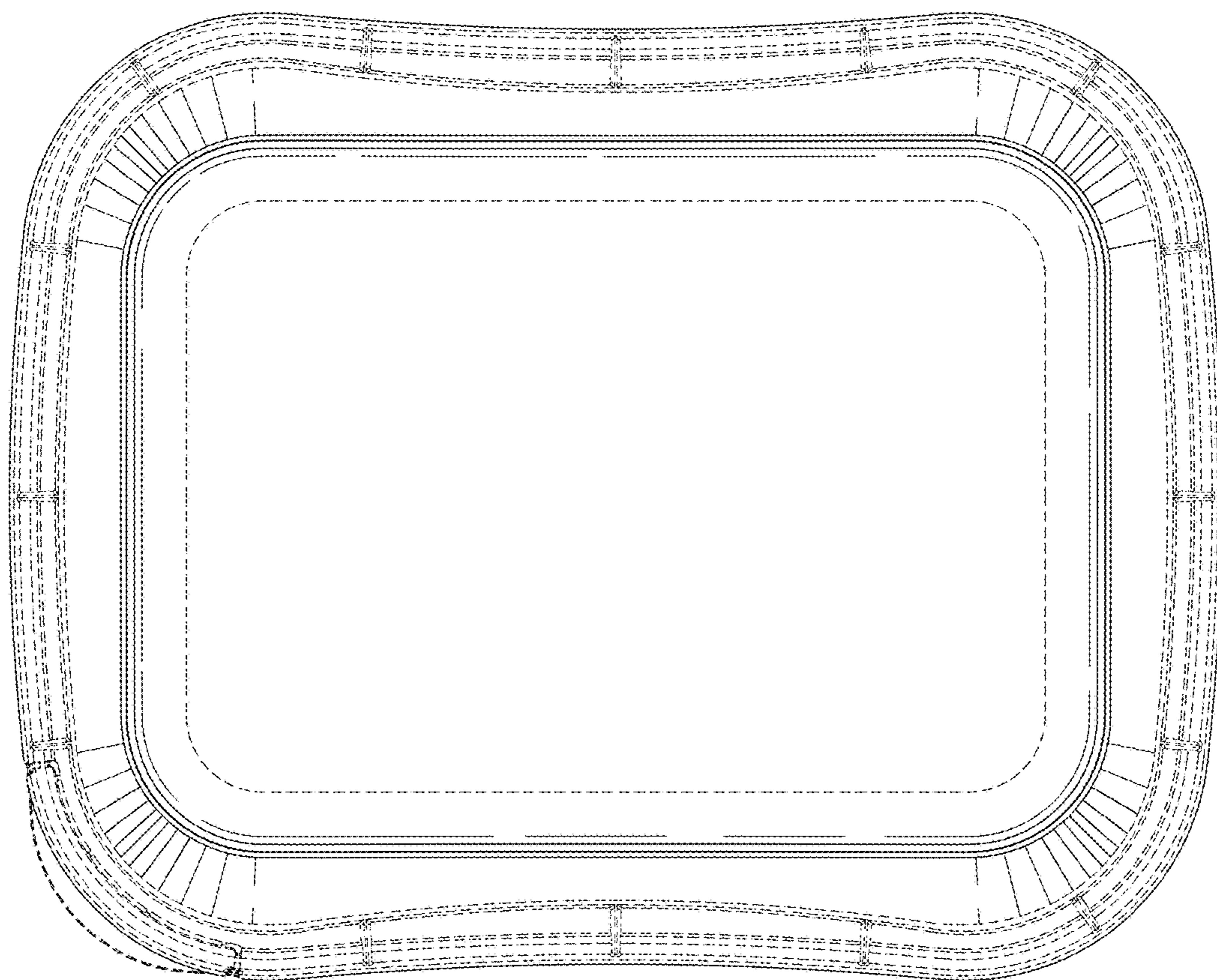


FIG. 7



FIG. 8

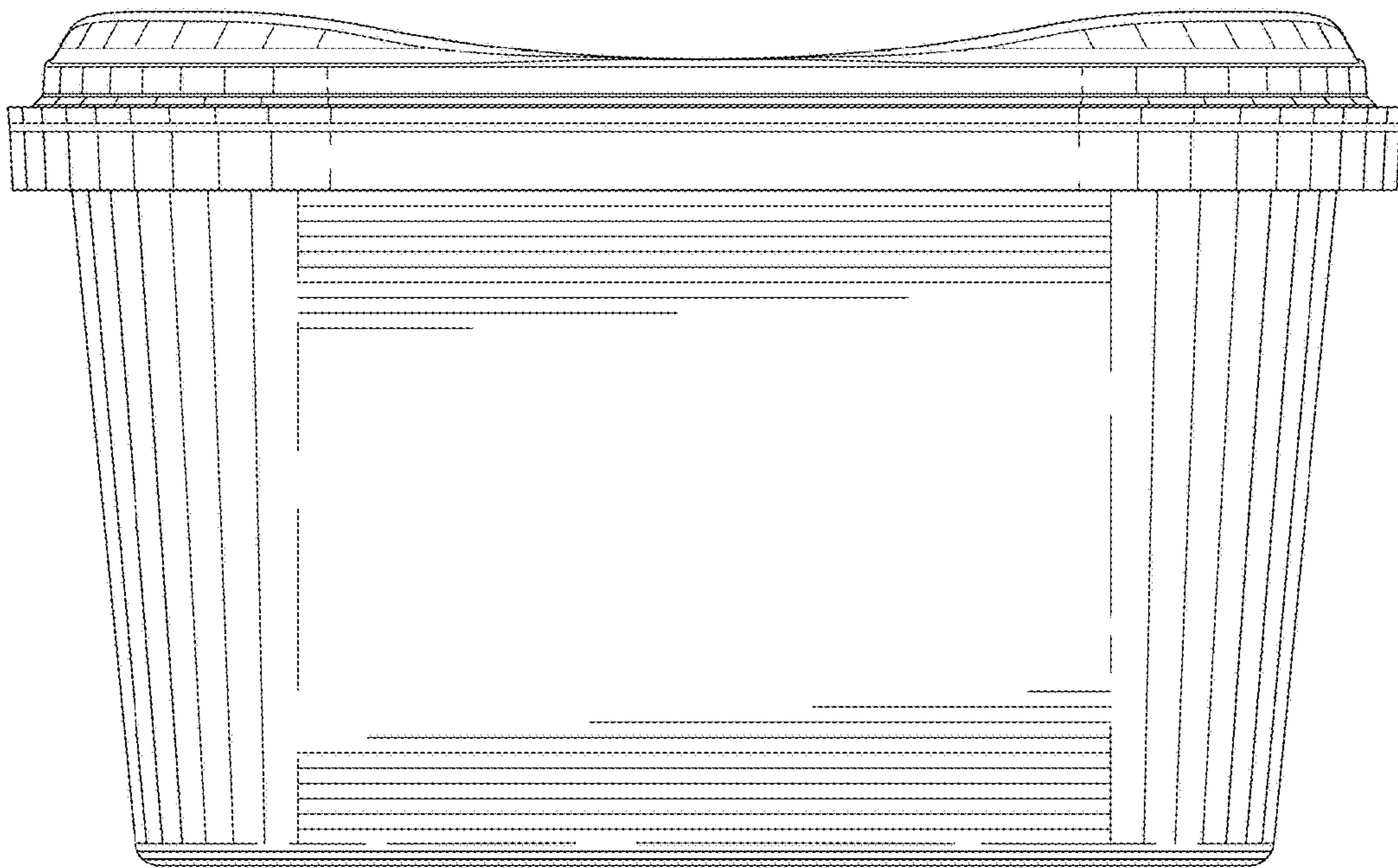


FIG. 9

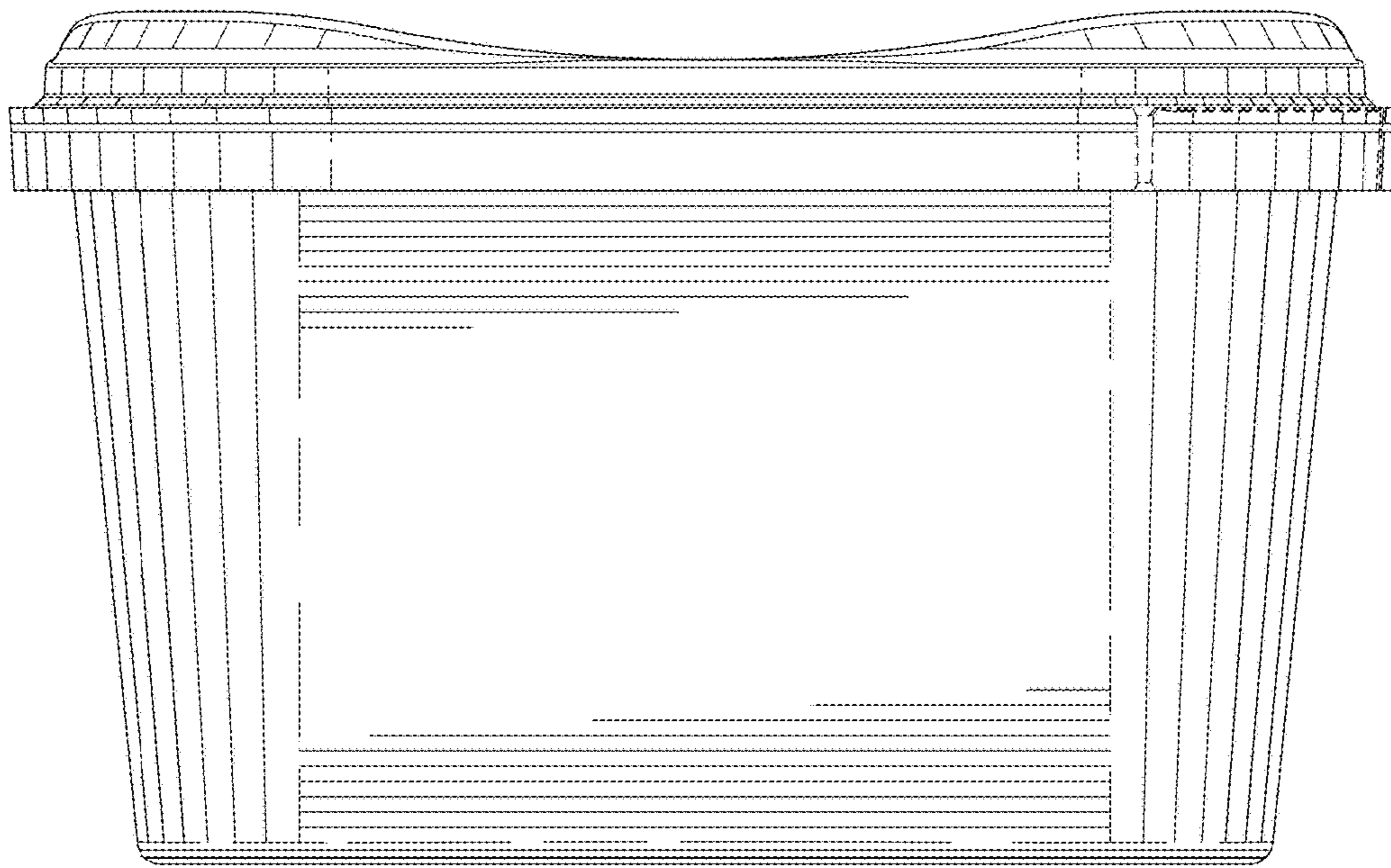


FIG. 10

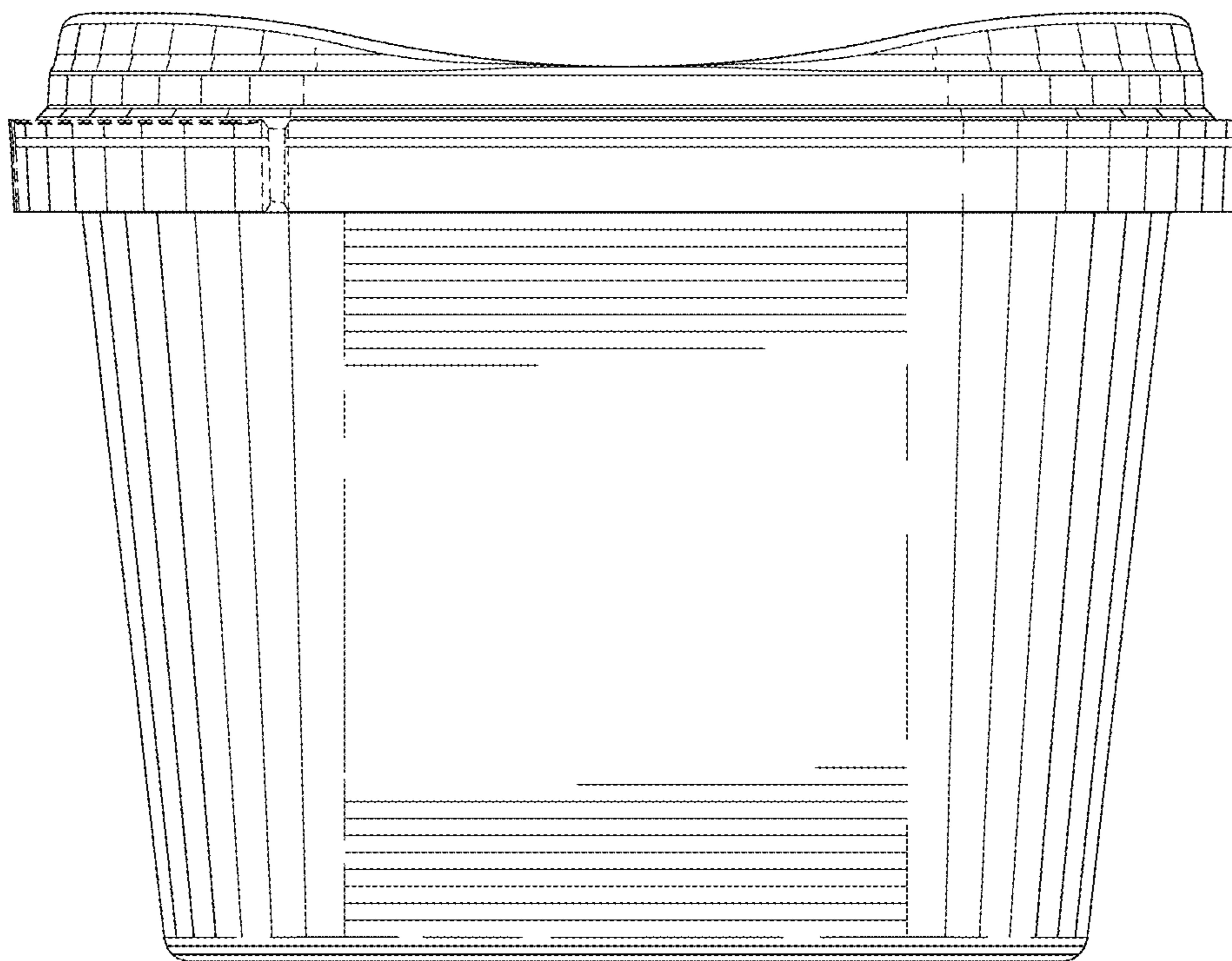
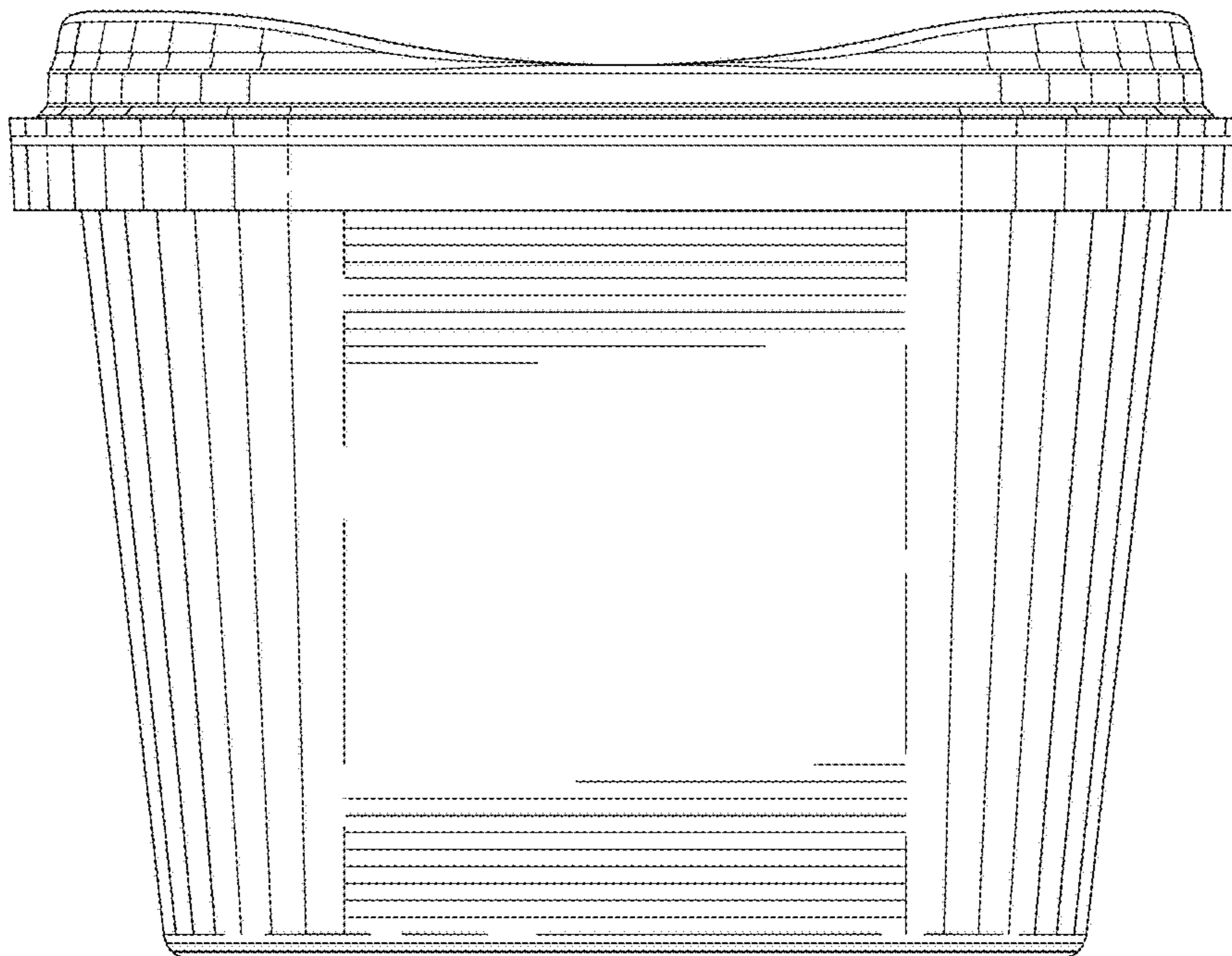
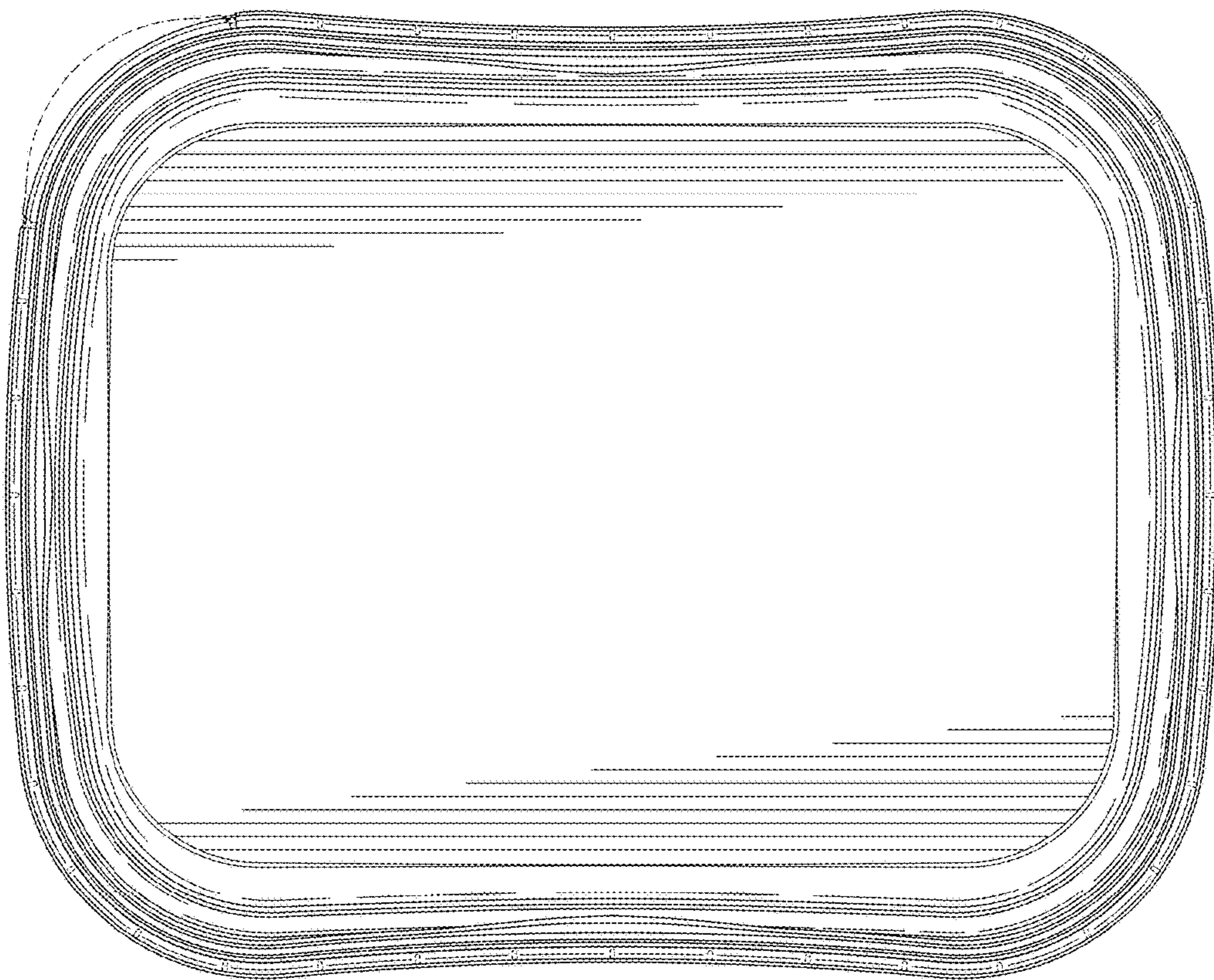


FIG. 11



*FIG. 12*



*FIG. 13*

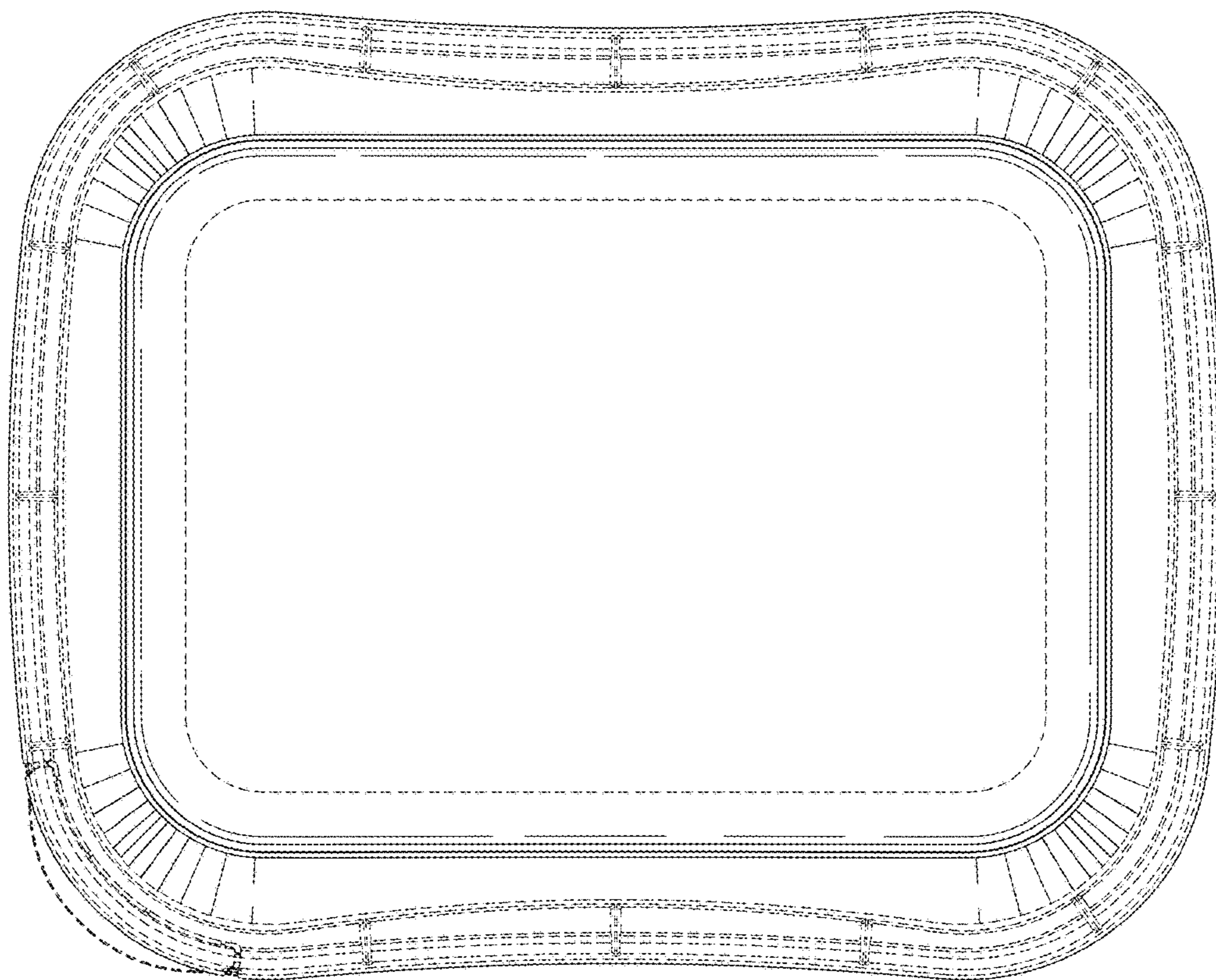


FIG. 14