



US00D816427S

(12) **United States Design Patent**  
**Resteghini**

(10) **Patent No.:** **US D816,427 S**

(45) **Date of Patent:** **\*\* May 1, 2018**

(54) **DRINKING CUP STABILIZER**

D353,082 S \* 12/1994 Keven ..... D12/420  
D378,040 S \* 2/1997 Flint ..... D7/620

(71) Applicant: **Nicole Carmela Resteghini**, Attleboro,  
MA (US)

\* cited by examiner

(72) Inventor: **Nicole Carmela Resteghini**, Attleboro,  
MA (US)

*Primary Examiner* — Terry A Wallace

(74) *Attorney, Agent, or Firm* — Douglas Denninger

(\*\*) Term: **15 Years**

(21) Appl. No.: **29/585,558**

(57) **CLAIM**

(22) Filed: **Nov. 26, 2016**

I claim the ornamental design for a drinking cup stabilizer,  
as shown and described.

(51) **LOC (11) Cl.** ..... **07-06**

(52) **U.S. Cl.**

USPC ..... **D7/620**

(58) **Field of Classification Search**

USPC ..... D7/619.1-625, 701-708

CPC ..... A47G 23/02; A47G 7/044; B60N 3/103;

B60N 3/102; B01L 9/06; A47F 7/021;

A47B 73/004

See application file for complete search history.

**DESCRIPTION**

FIG. 1 is a perspective upper view of the drinking cup stabilizer showing my novel design;  
FIG. 2 is a perspective lower view thereof;  
FIG. 3 is a bottom plan view thereof;  
FIG. 4 is a top plan view thereof;  
FIG. 5 is a side elevation view thereof, with the other side view being a mirror image;  
FIG. 6 is a front elevation view thereof; and,  
FIG. 7 is a rear elevation view thereof.

(56) **References Cited**

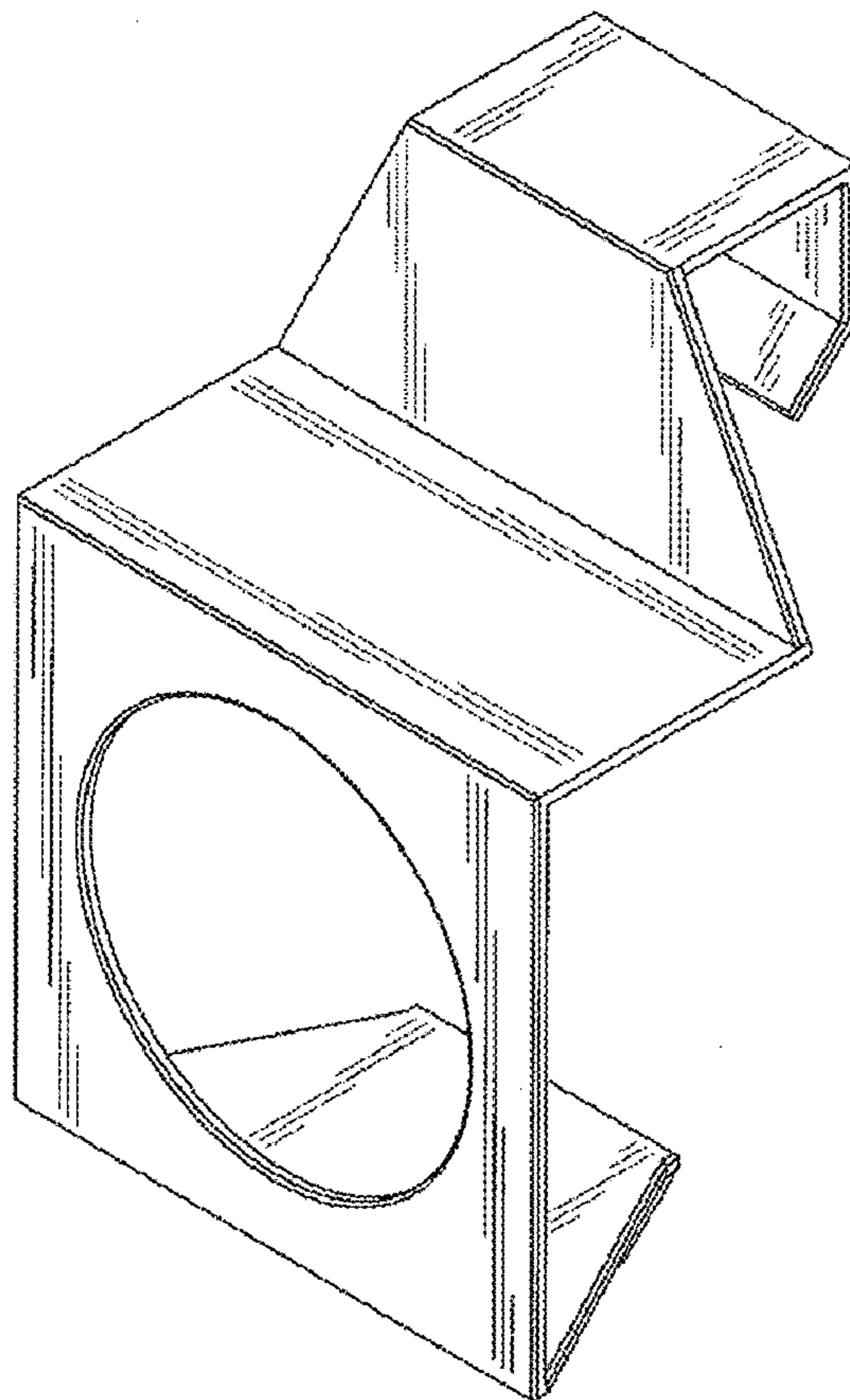
**U.S. PATENT DOCUMENTS**

2,628,054 A \* 2/1953 Fazakerley ..... B60N 3/103

211/74

D257,113 S \* 9/1980 McCaffrey ..... D12/420

**1 Claim, 3 Drawing Sheets**



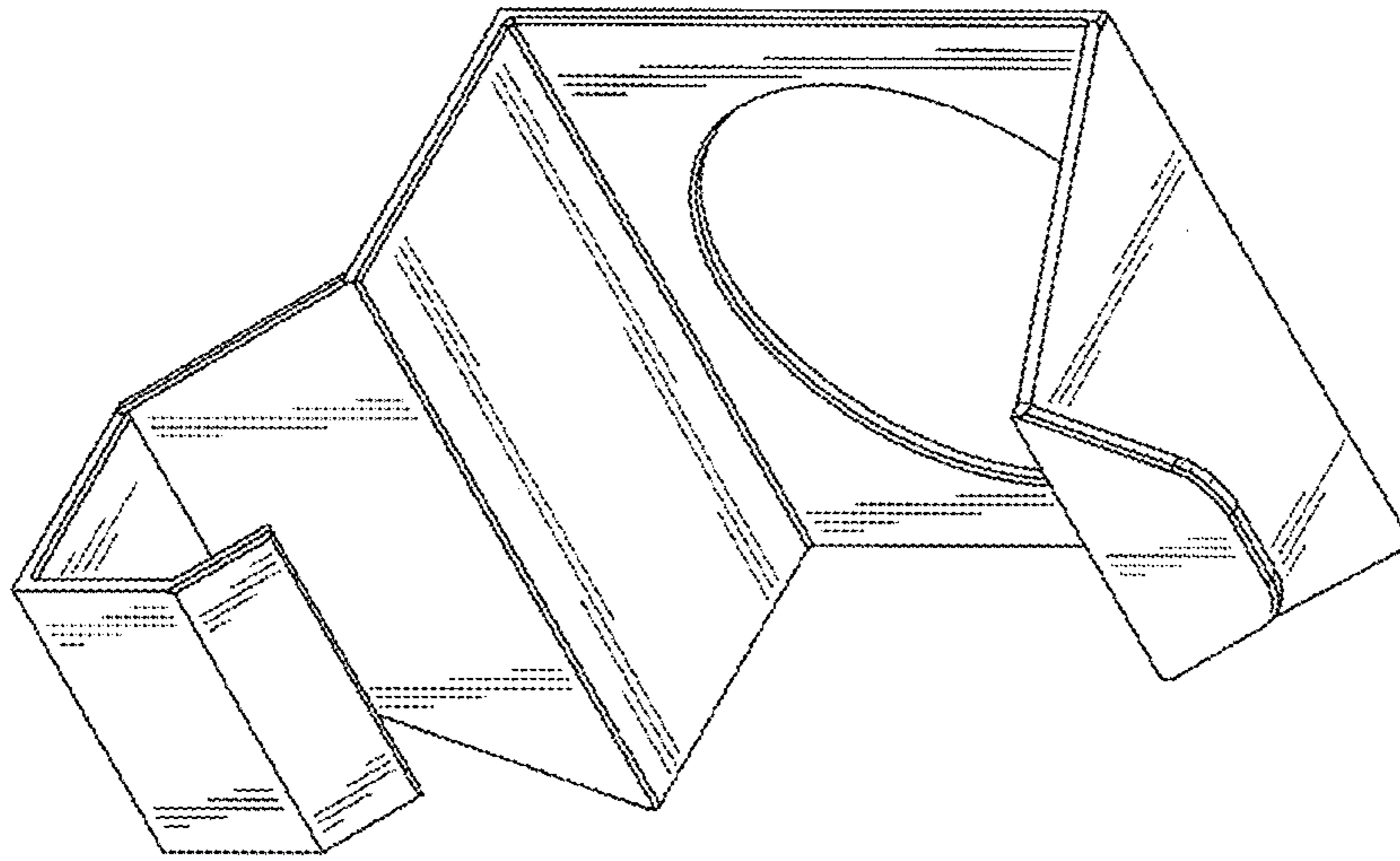


FIG. 1

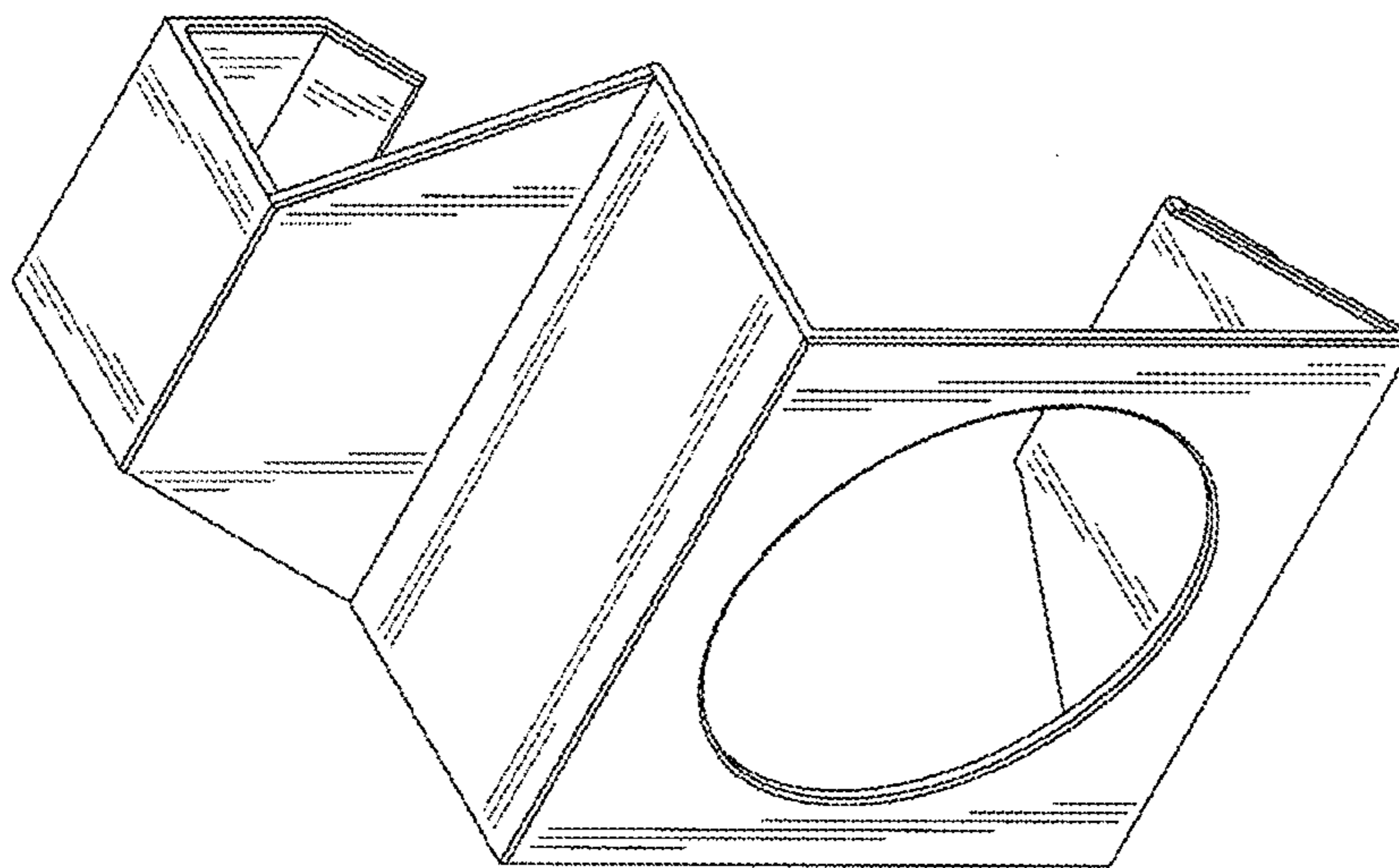


FIG. 2

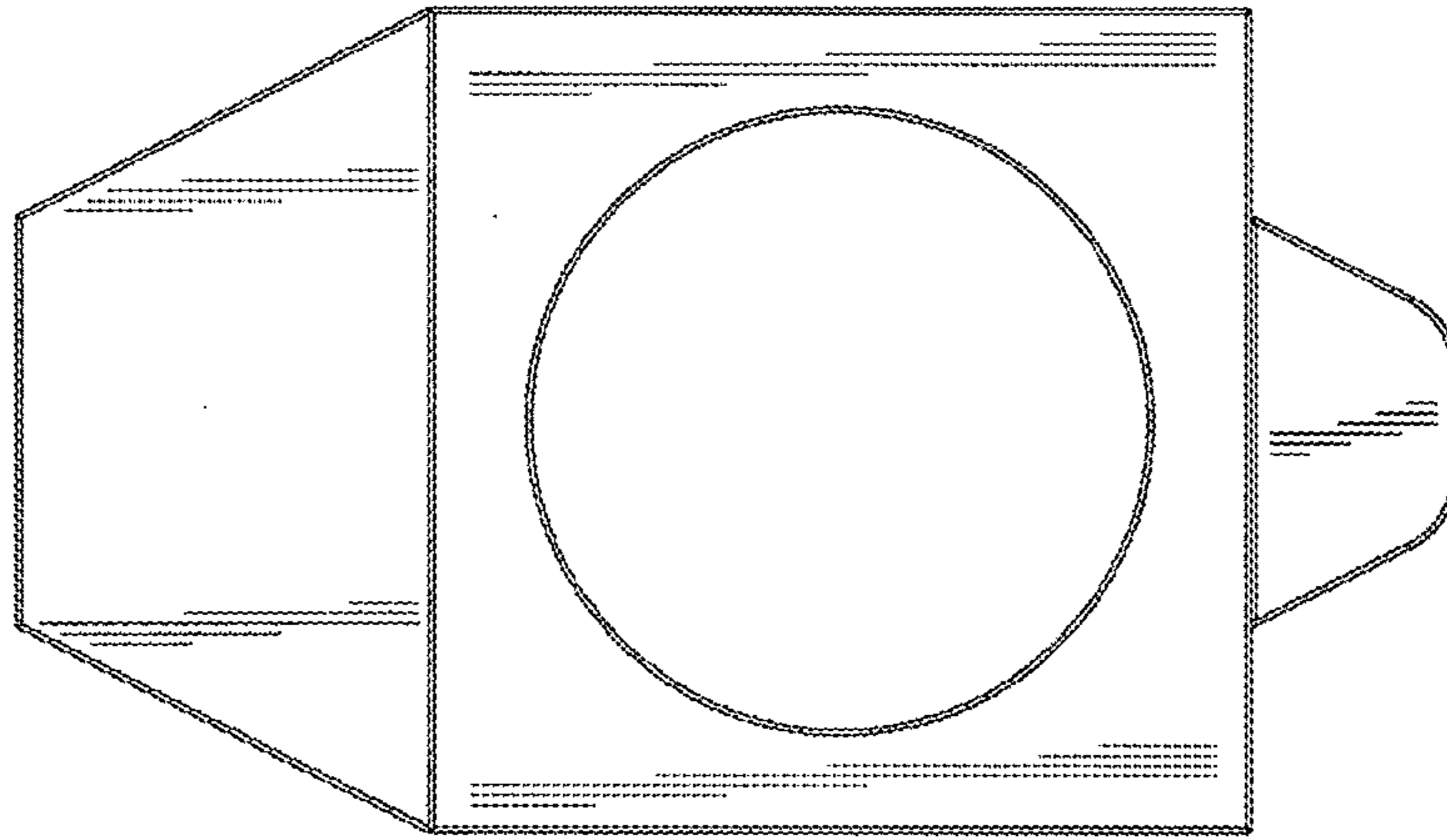


FIG. 4

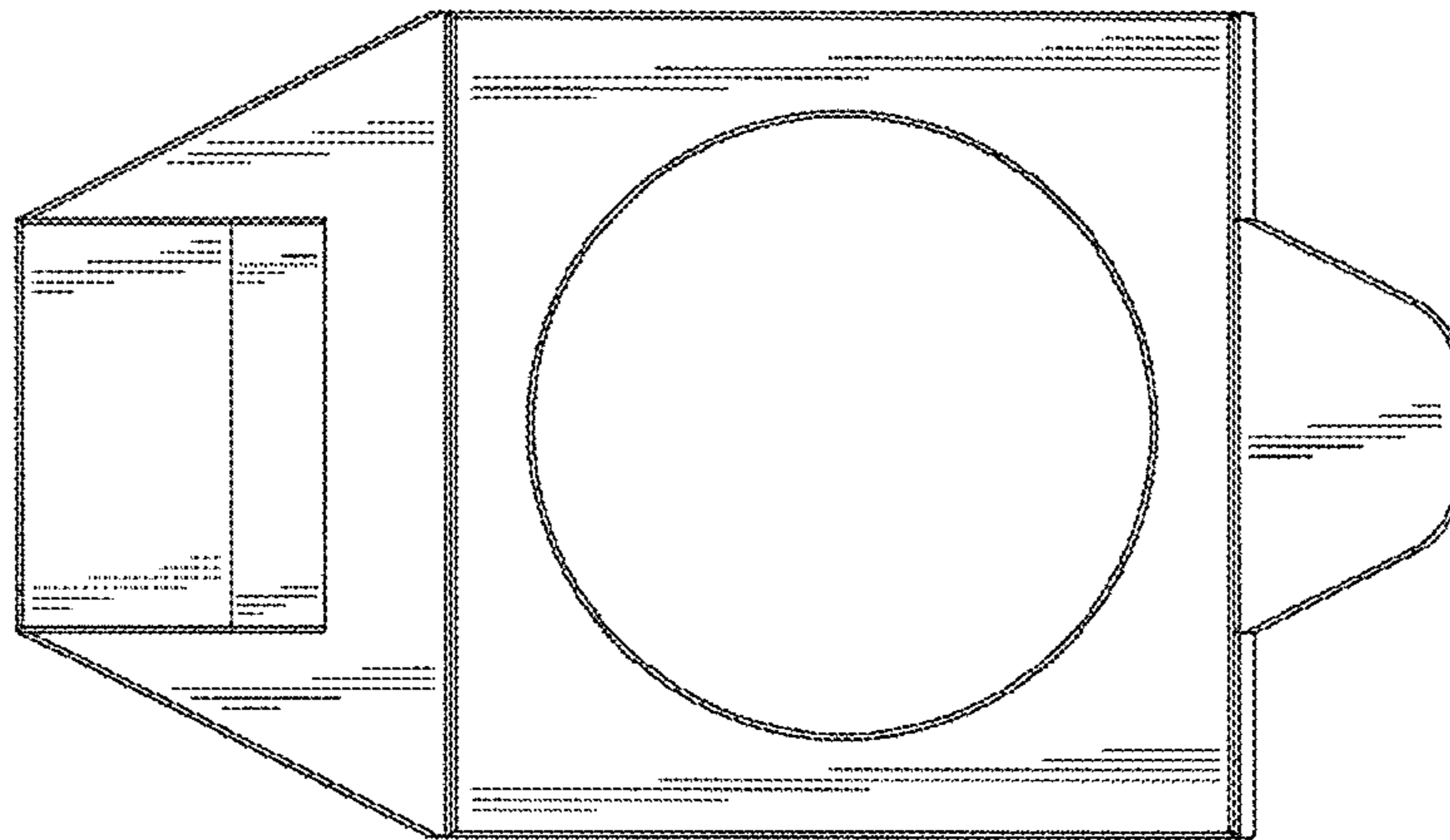


FIG. 3

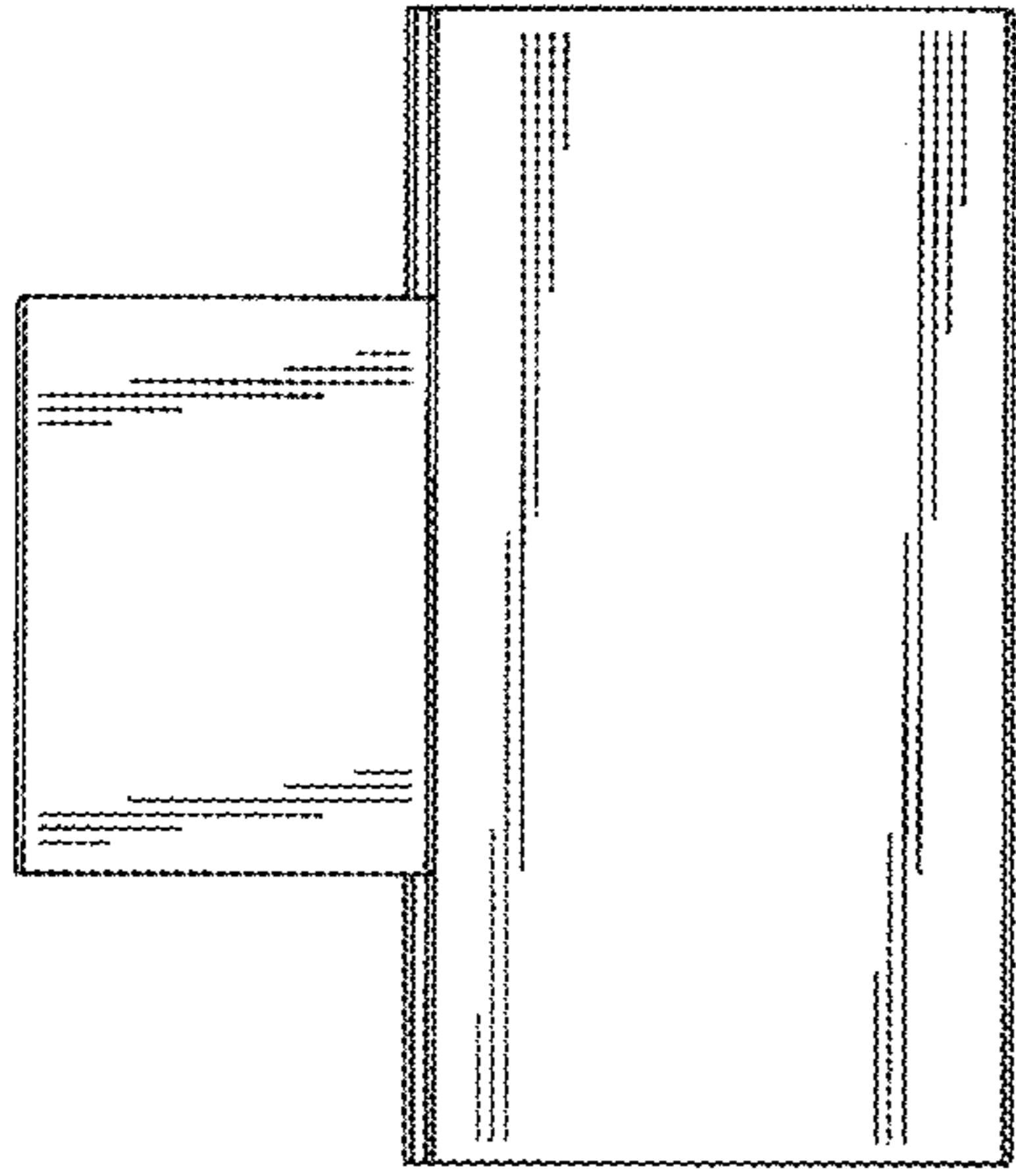


FIG. 6

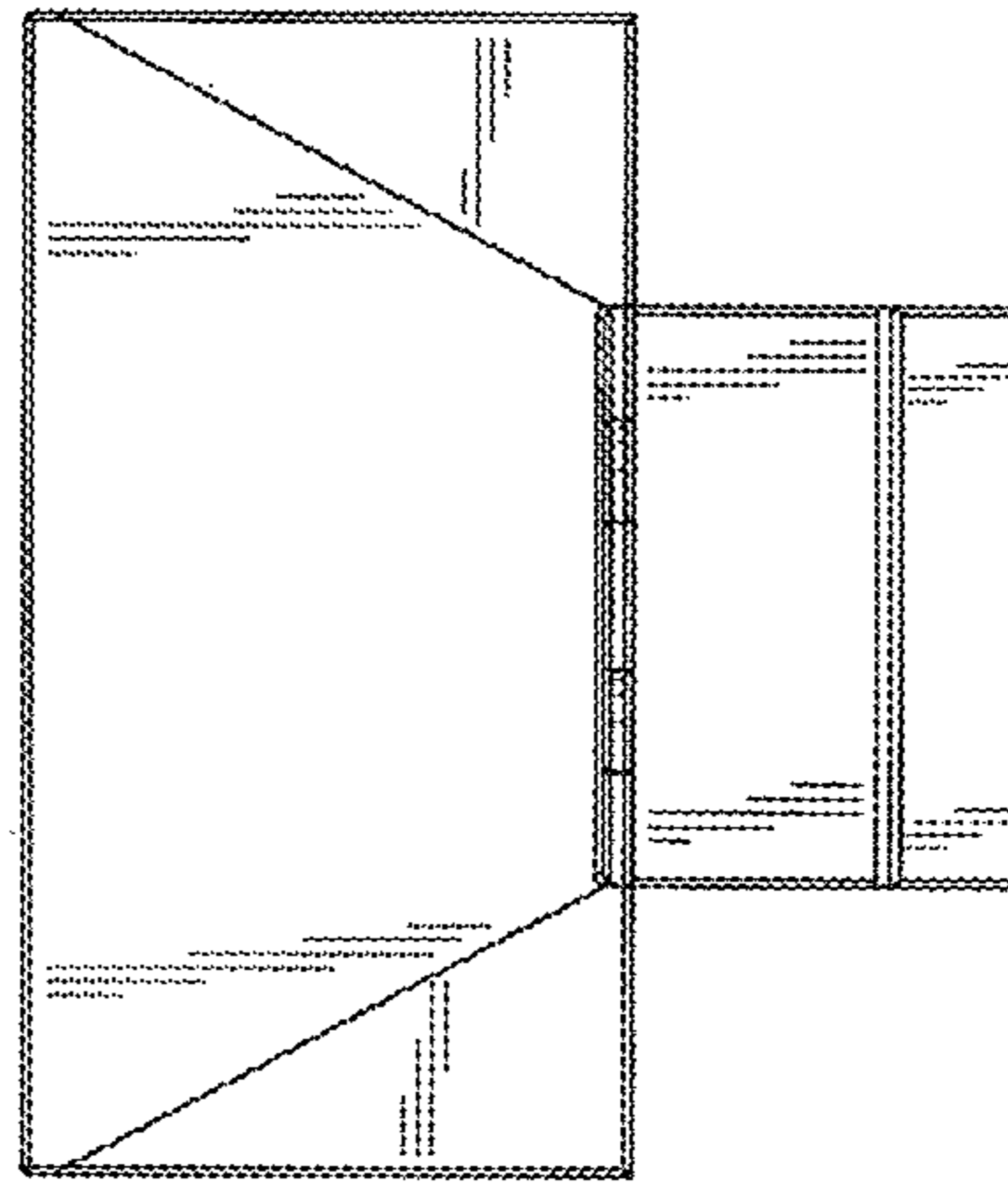


FIG. 7

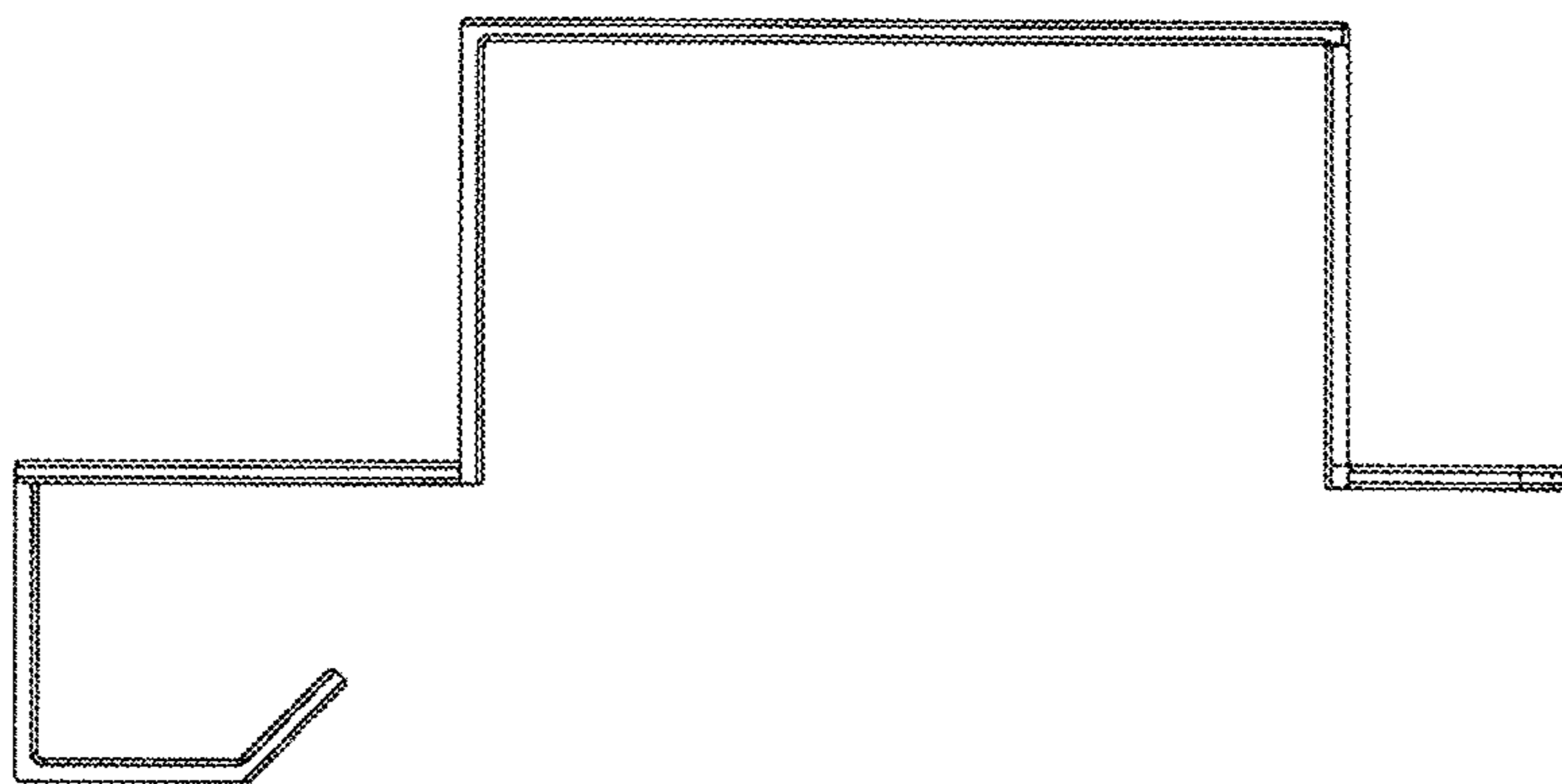


FIG. 5