



US00D816425S

(12) **United States Design Patent** (10) **Patent No.:** **US D816,425 S**
Stanford et al. (45) **Date of Patent:** **** May 1, 2018**

(54) COOLER	8,356,712 B2	1/2013	Piazza, Jr.
	D712,720 S	9/2014	Seiders
	D712,721 S	9/2014	Seiders
	D712,722 S	9/2014	Seiders
	D712,723 S	9/2014	Seiders
	D714,125 S	9/2014	Seiders
	8,887,515 B2 *	11/2014	Patstone F25D 3/08 62/457.2
	8,910,819 B2	12/2014	Seiders
	D722,474 S	2/2015	Seiders
	D722,475 S	2/2015	Seiders
	9,187,232 B2	11/2015	Seiders
	9,694,521 B2	7/2017	French et al.
	D806,483 S	1/2018	Stanford et al.
	2015/0060470 A1	3/2015	Seiders
	2015/0225164 A1	8/2015	Seiders et al.

(***) **Term:** **15 Years**

(21) **Appl. No.:** **29/602,023**

(22) **Filed:** **Apr. 27, 2017**

(51) **LOC (11) Cl.** **07-01**

(52) **U.S. Cl.**
USPC **D7/605**

(58) **Field of Classification Search**
USPC D7/603-608, 629, 630; D3/272-274
CPC .. A45C 11/20; A45C 9/00; A45C 5/14; A45C
5/03; F25D 3/14; F25D 3/08; F25D 3/12;
F25D 2400/08; F25D 31/005; B65D
81/3813; B65D 81/3823; B65D 81/3888;
B65D 81/3889; B65D 81/3816; B65D
81/3858; F24D 2331/804; A47J 41/022;
A47G 19/2288; F25B 19/00
See application file for complete search history.

(56) **References Cited**

U.S. PATENT DOCUMENTS

D325,323 S *	4/1992	Kahl	D7/605
D354,419 S *	1/1995	Kahl	D7/605
D374,772 S *	10/1996	Hotaling	D3/273
D429,606 S	8/2000	Israel		
D429,966 S	8/2000	Israel		
D451,765 S	12/2001	Israel		
D545,633 S	7/2007	Hussaini		
D566,479 S *	4/2008	Kabalin	D3/273
D652,262 S	1/2012	Yang		

OTHER PUBLICATIONS

U.S. Appl. No. 29/585,896, filed Nov. 29, 2016, Stanford et al.
Notice of Allowance from U.S. Appl. No. 29/585,896, dated Oct. 18, 2017.

Primary Examiner — Terry A Wallace
(74) *Attorney, Agent, or Firm* — Maschoff Brennan

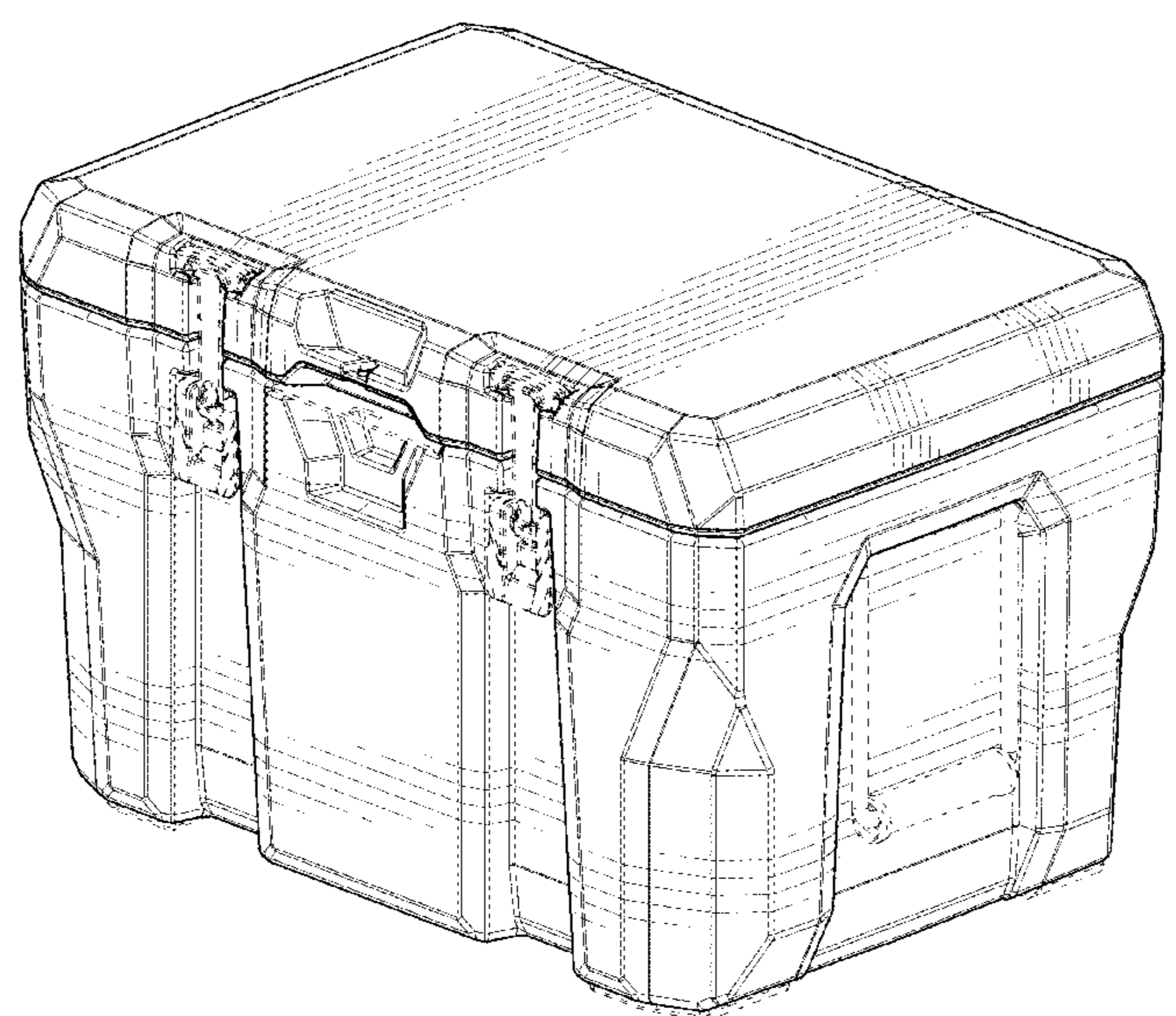
(57) **CLAIM**

The ornamental design for a cooler, as shown and described.

DESCRIPTION

FIG. 1 is an upper perspective view of a cooler;
FIG. 2 is a lower perspective view thereof;
FIG. 3 is a front view thereof;
FIG. 4 is a rear view thereof;
FIG. 5 is a left side view thereof;
FIG. 6 is a right side view thereof;
FIG. 7 is a top view thereof; and,
FIG. 8 is a bottom view thereof.
The broken lines are for illustrative purposes only and form no part of the claimed design.

1 Claim, 8 Drawing Sheets



(56)

References Cited

U.S. PATENT DOCUMENTS

2015/0322698 A1 11/2015 Seiders
2015/0353263 A1 12/2015 Seiders et al.
2016/0236849 A1 8/2016 Seiders et al.
2016/0257479 A1 9/2016 Seiders et al.

* cited by examiner

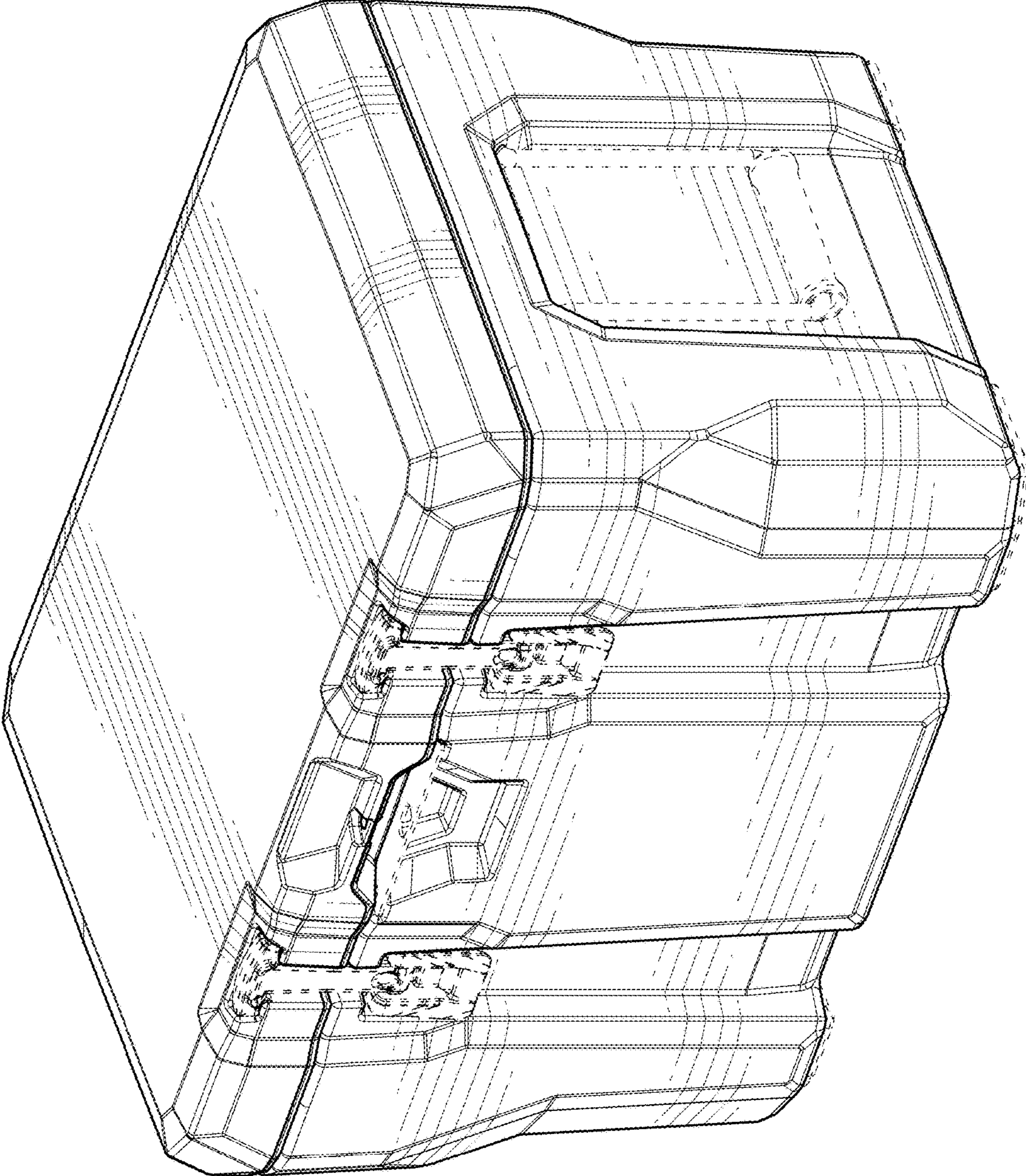


FIG. 1

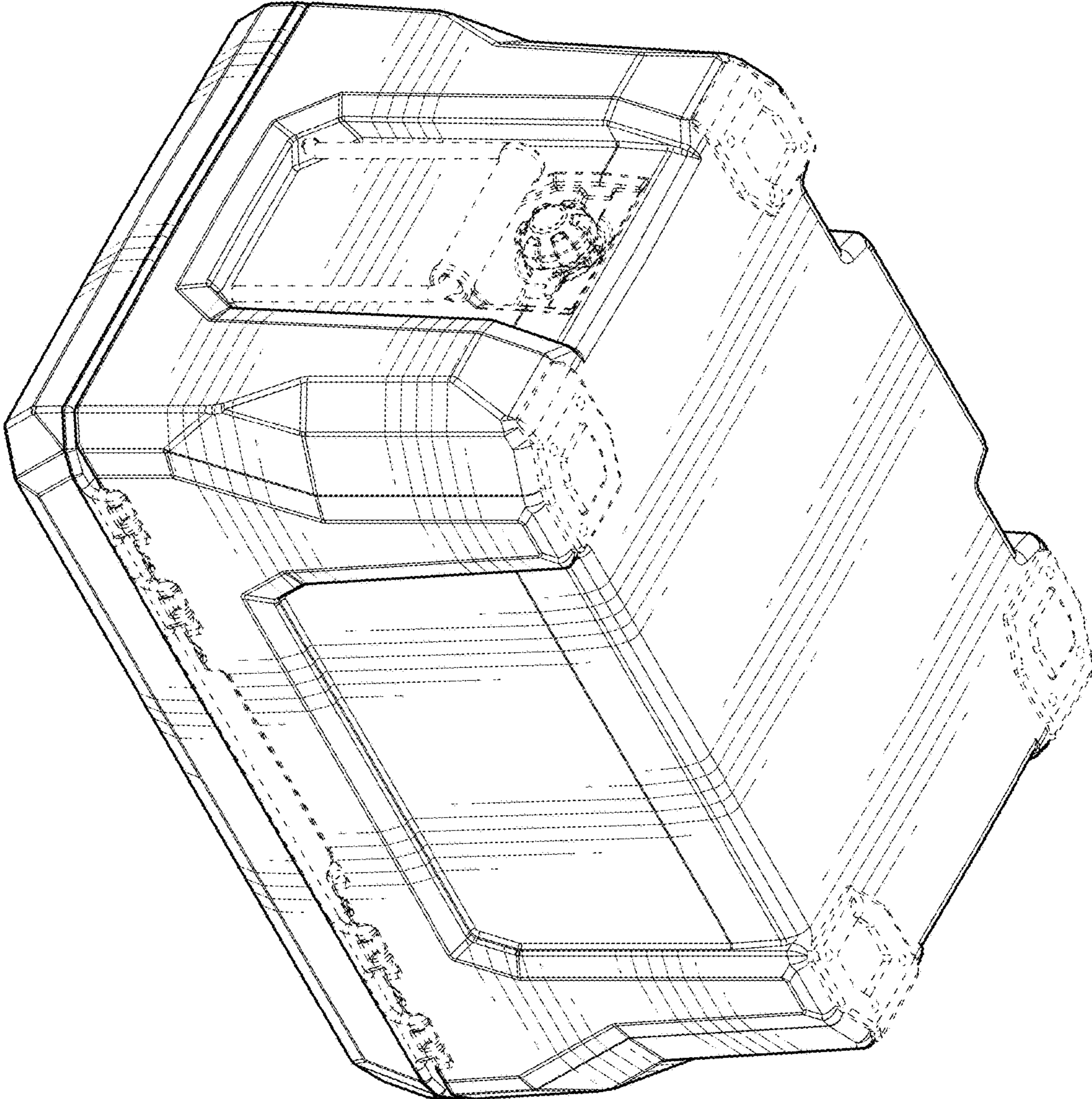


FIG. 2

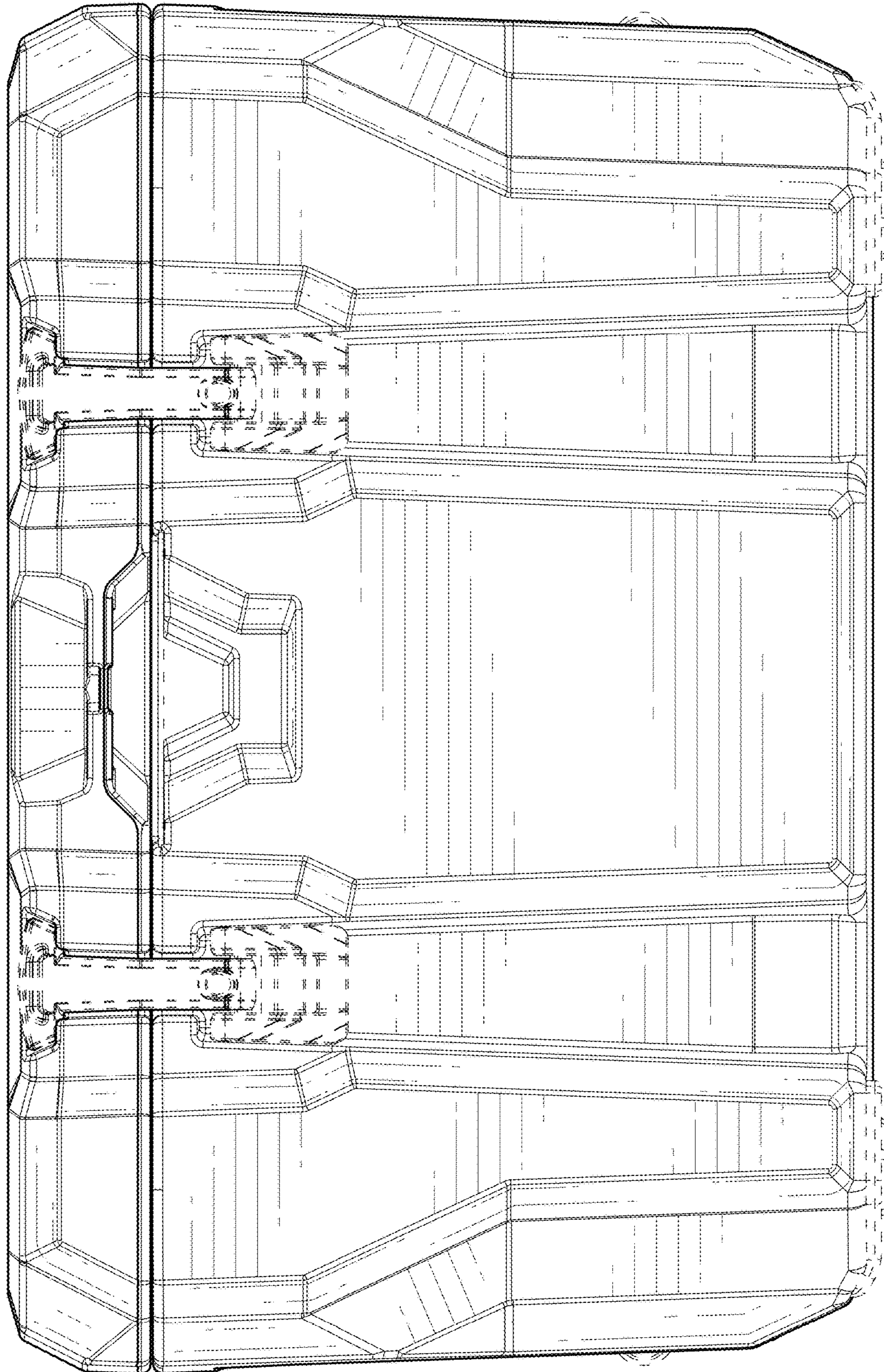


FIG. 3

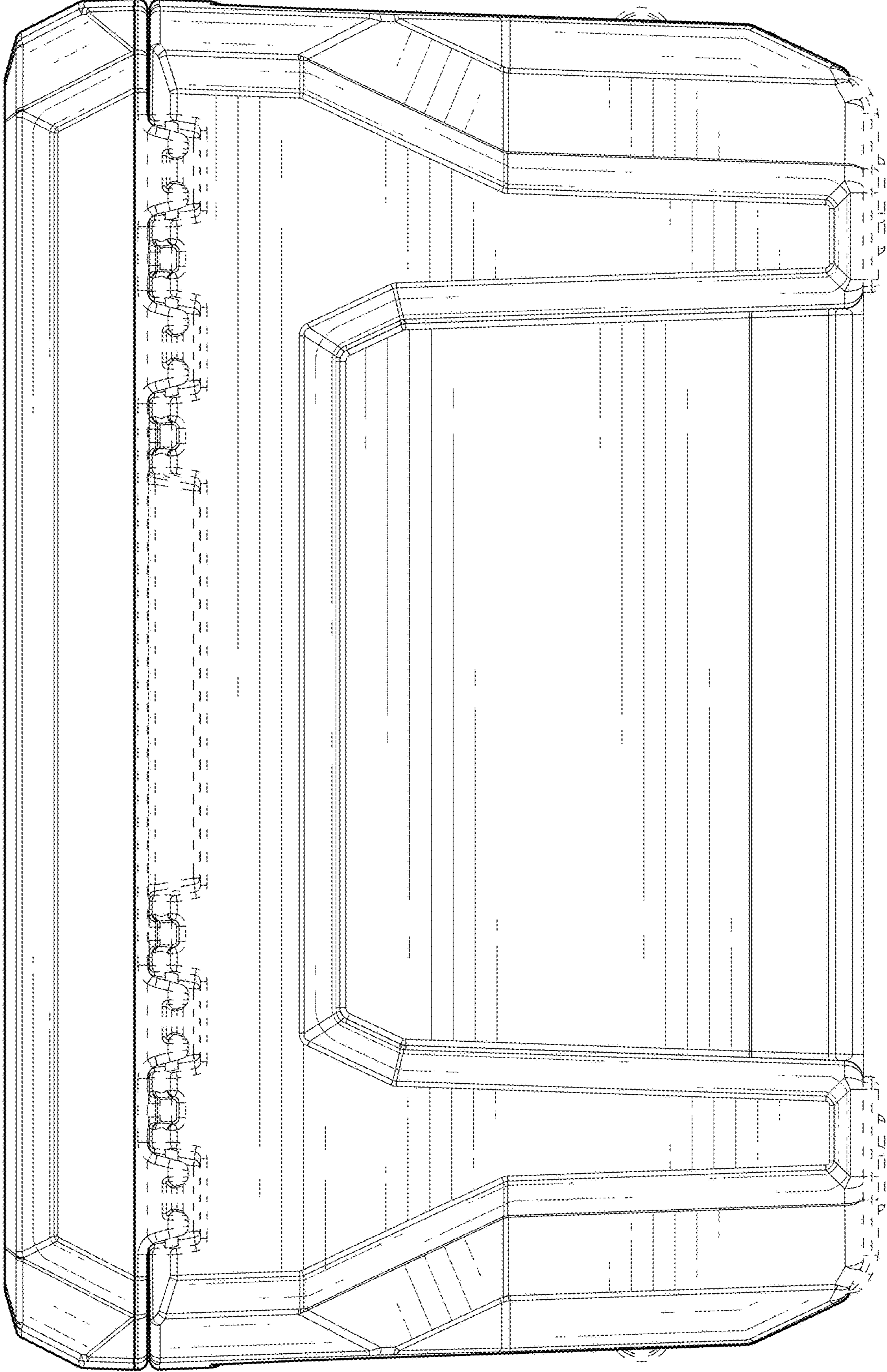


FIG. 4

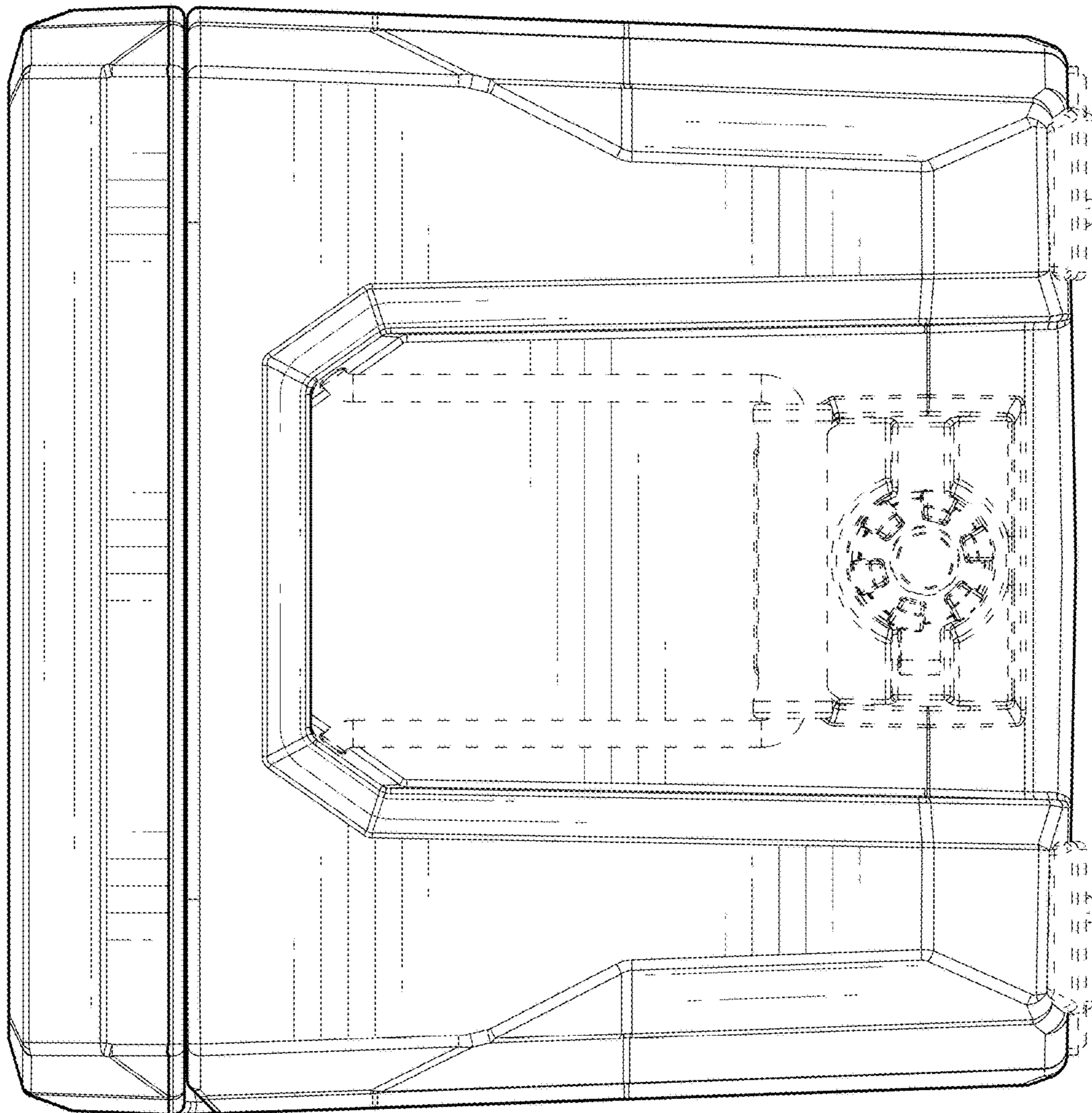


FIG. 5

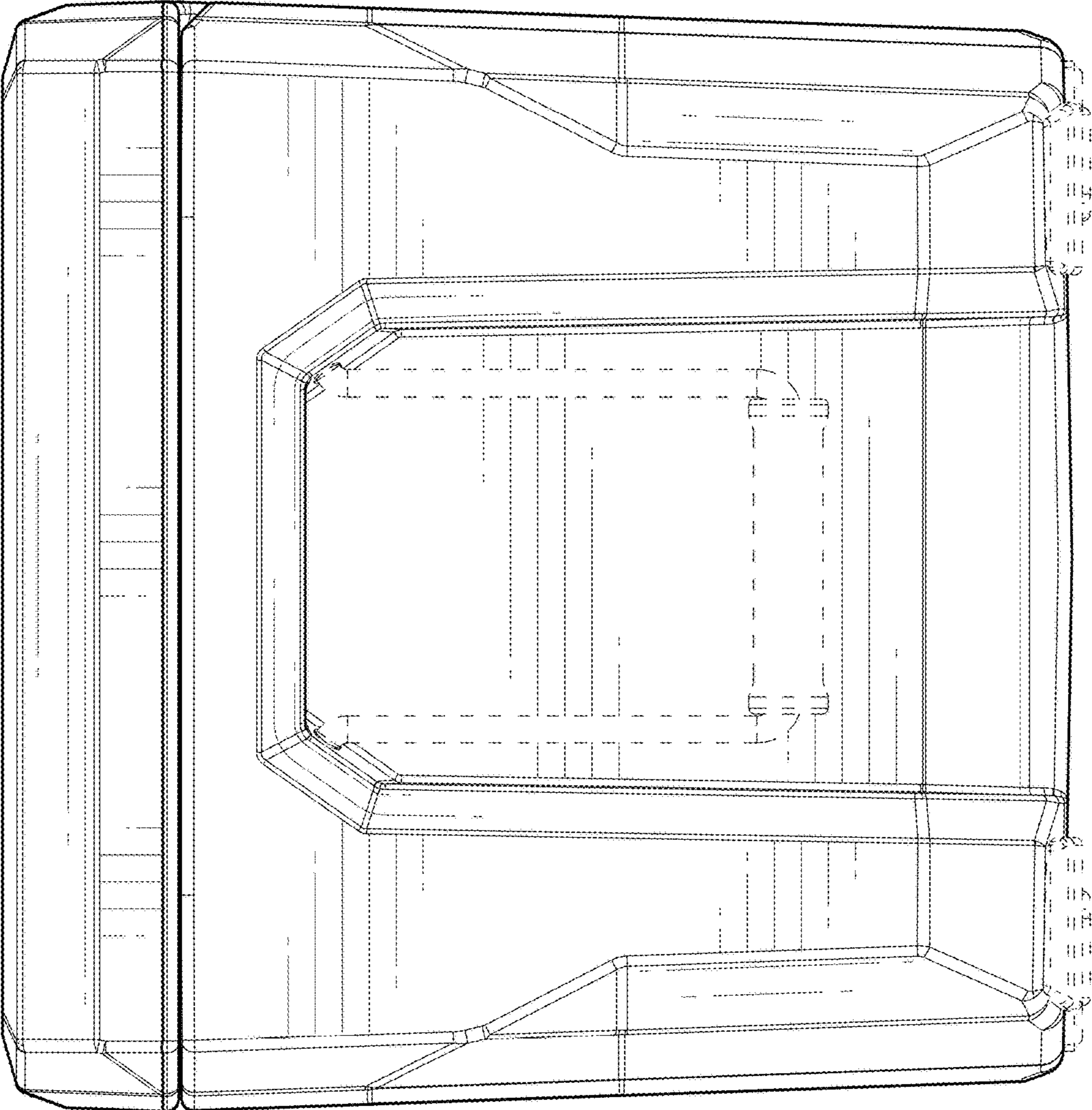


FIG. 6

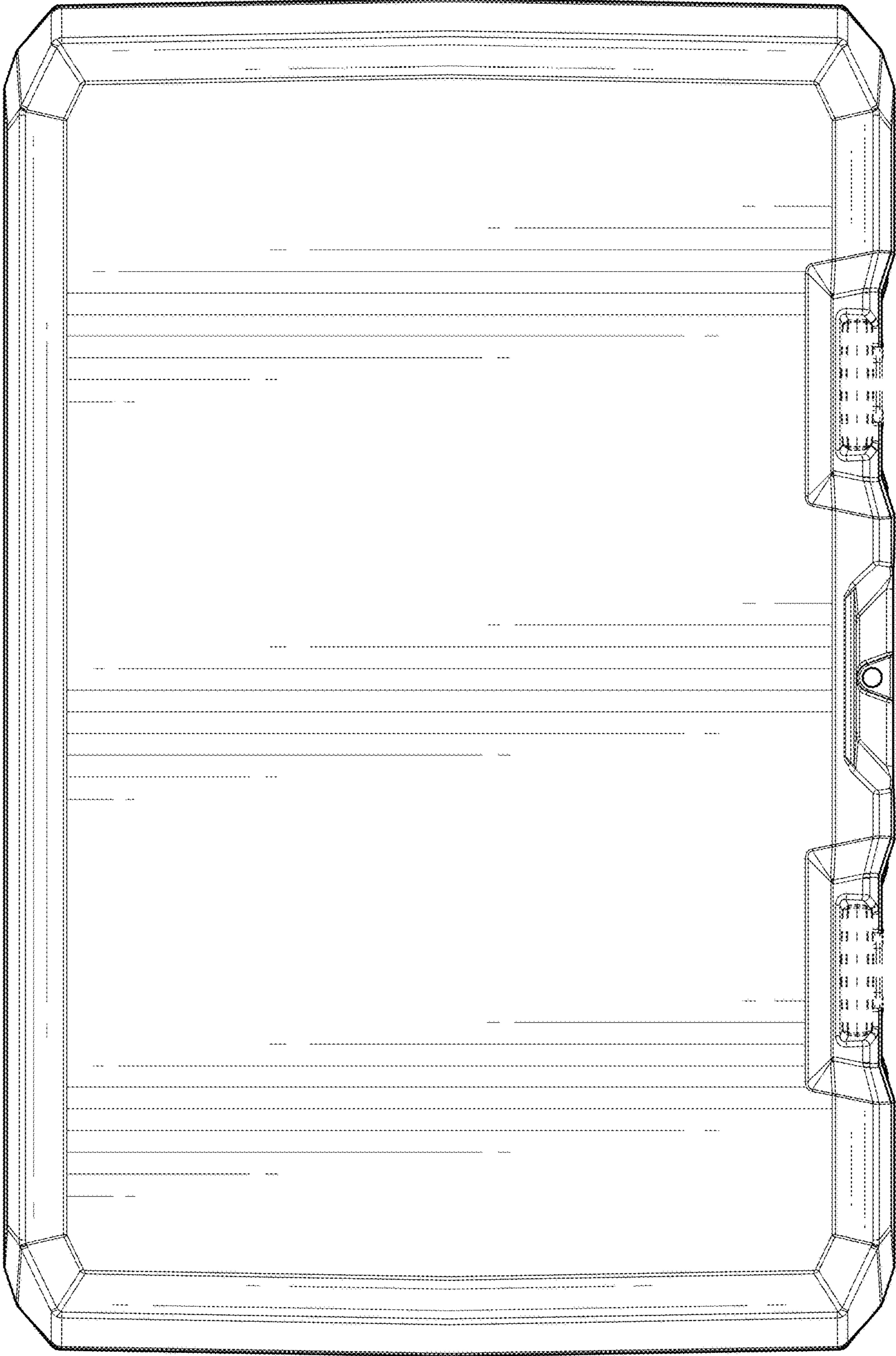


FIG. 7

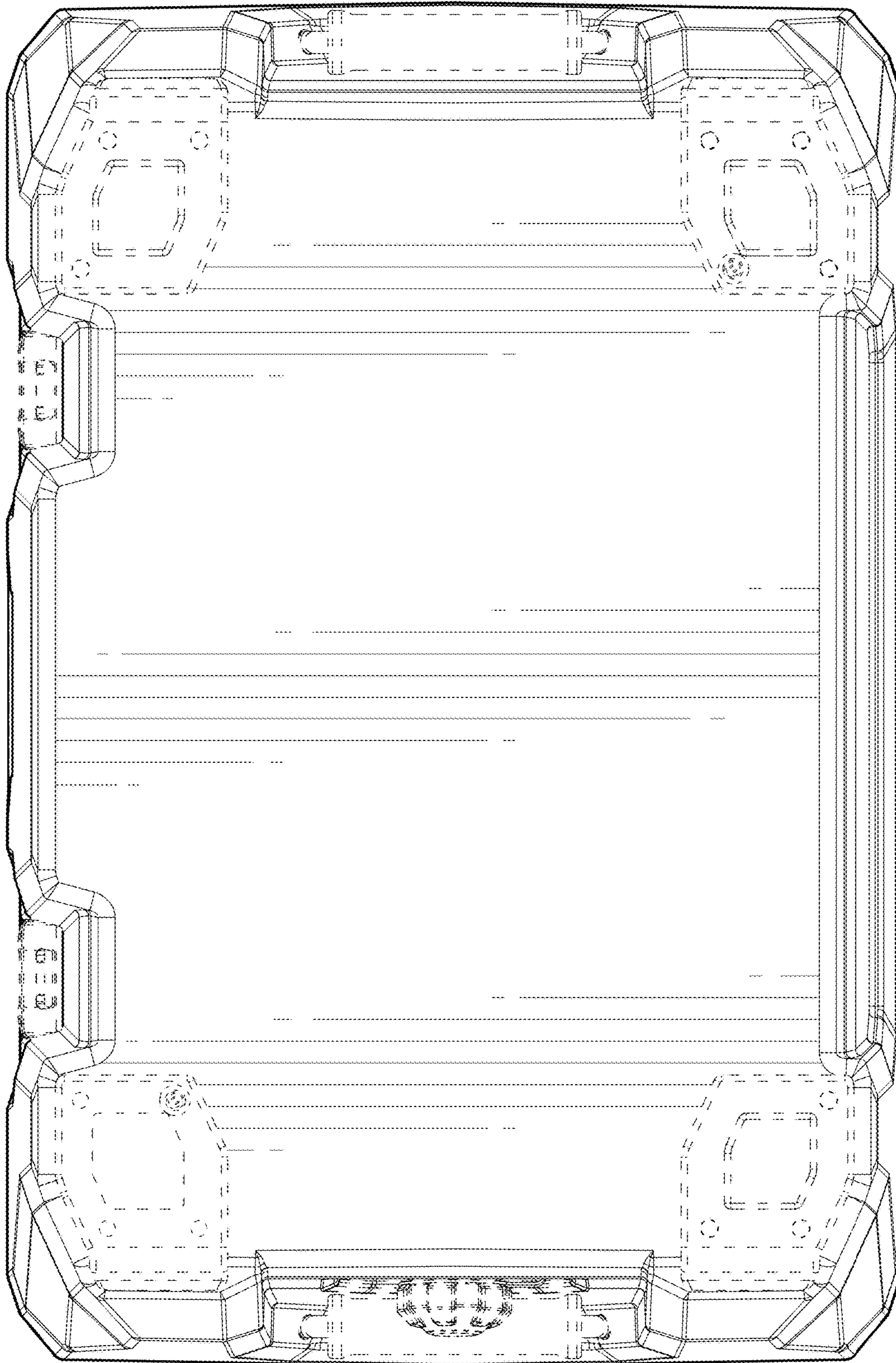


FIG. 8