



US00D816424S

(12) **United States Design Patent** (10) **Patent No.:** **US D816,424 S**
Piazza et al. (45) **Date of Patent:** **** May 1, 2018**

(54) **TUB COOLER**

(71) Applicant: **The Gem Group, Inc.**, Lawrence, MA (US)

(72) Inventors: **Kimberly M. Piazza**, Windham, NH (US); **Sara E. Stump**, Somerville, MA (US); **Agnes Csilla Domotor**, Melrose, MA (US)

(73) Assignee: **The Gem Group, Inc.**, Lawrence, MA (US)

(**) Term: **15 Years**

(21) Appl. No.: **29/593,531**

(22) Filed: **Feb. 9, 2017**

(51) **LOC (11) Cl.** **07-01**

(52) **U.S. Cl.**
USPC **D7/605**

(58) **Field of Classification Search**

USPC D7/602, 605, 606, 607, 628, 629;
D3/217, 273, 289, 301
CPC A47F 3/04; B62B 3/00; B65D 6/00; B65D
81/38; B65D 17/165; B65D 81/3886;
B65D 8/14; F25D 3/00; F25D 3/06;
F25D 3/08; F25D 2331/803; F25D
2331/804; F25D 2331/805; F25D
2331/806; F25D 2331/807; F25D
2331/808; F25D 2331/809

See application file for complete search history.

(56) **References Cited**

U.S. PATENT DOCUMENTS

D407,609 S	4/1999	Rausch	
D514,893 S	2/2006	Bellofatto, Jr. et al.	
7,147,125 B1	12/2006	Slovak et al.	
D573,844 S *	7/2008	Hanson	D7/605
D588,451 S	3/2009	Snedden et al.	
D634,982 S	3/2011	Melchert et al.	
D646,103 S *	10/2011	Saunders	D7/301
D778,686 S *	2/2017	Piazza	D7/605

* cited by examiner

Primary Examiner — Freda S Nunn

(74) *Attorney, Agent, or Firm* — Loginov & Associates;
William A. Loginov

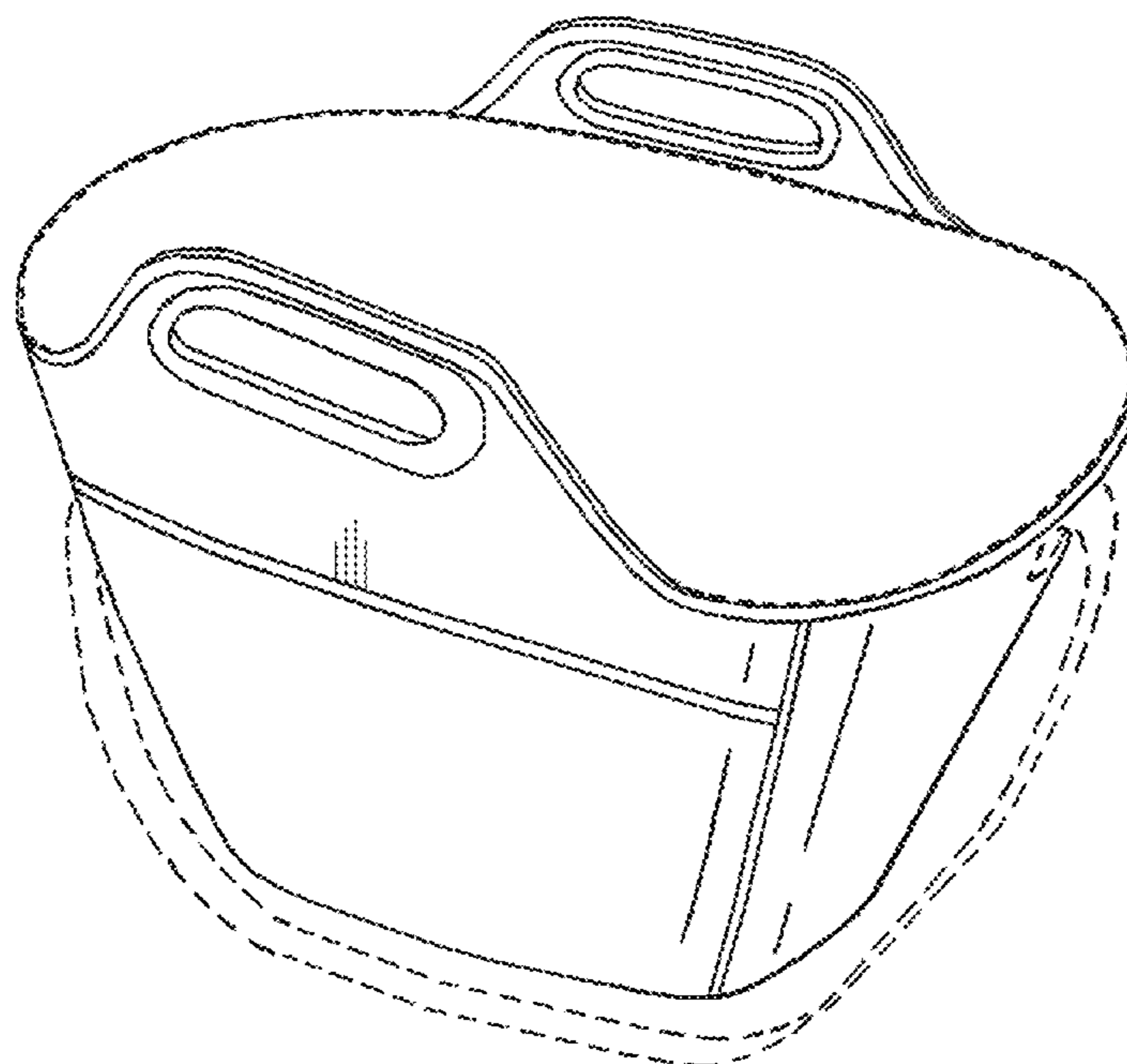
(57) **CLAIM**

The ornamental design for a tub cooler, as shown and described.

DESCRIPTION

FIG. 1 is a perspective view of a tub cooler;
FIG. 2 is a front view of the tub cooler;
FIG. 3 is a rear view of the tub cooler;
FIG. 4 is a top view of the tub cooler;
FIG. 5 is a bottom view of the tub cooler;
FIG. 6 is a right side view of the tub cooler; and,
FIG. 7 is a left side view of the tub cooler.
The broken lines illustrate environment and form no part of the claimed design.

1 Claim, 5 Drawing Sheets



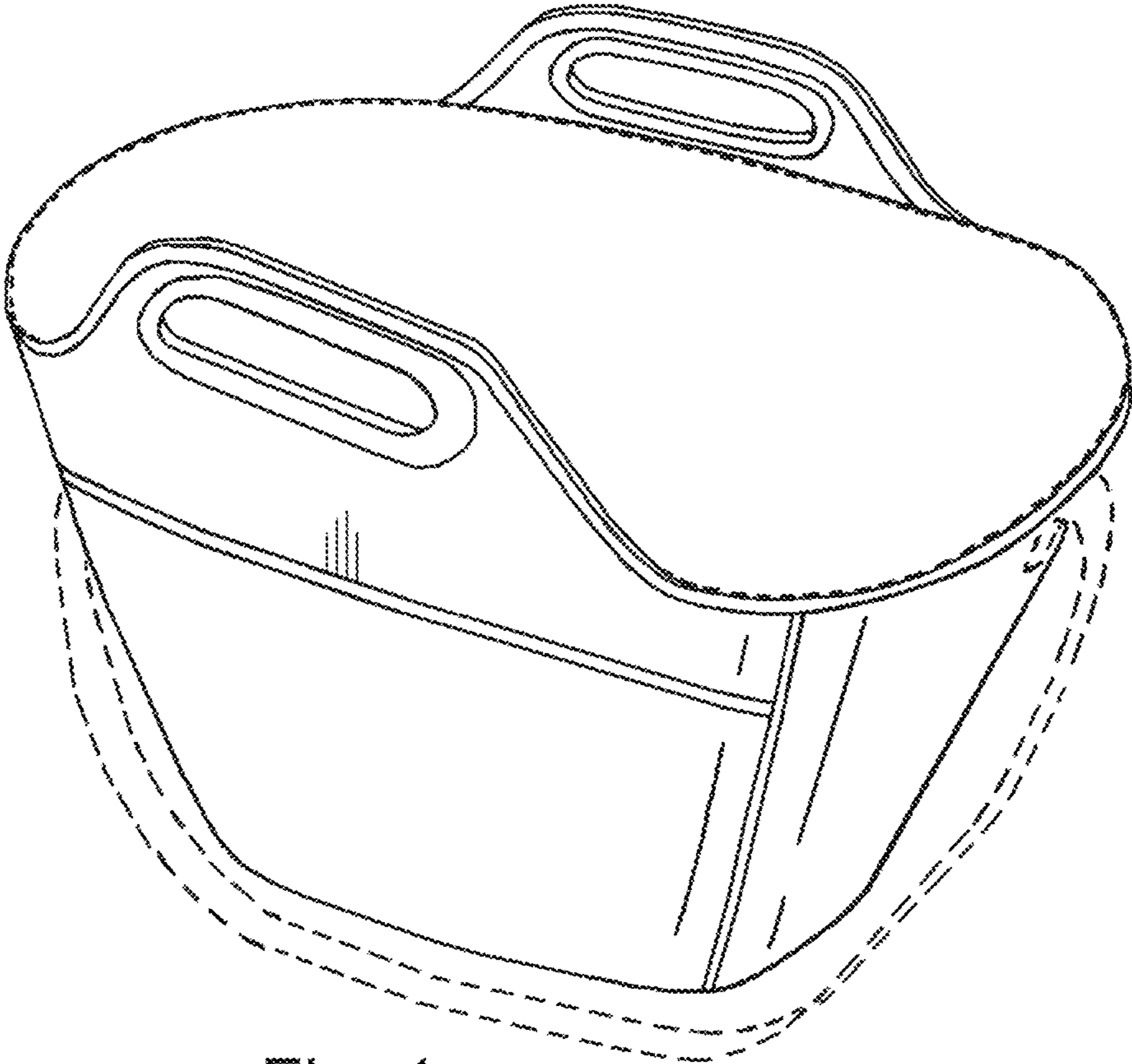


Fig. 1

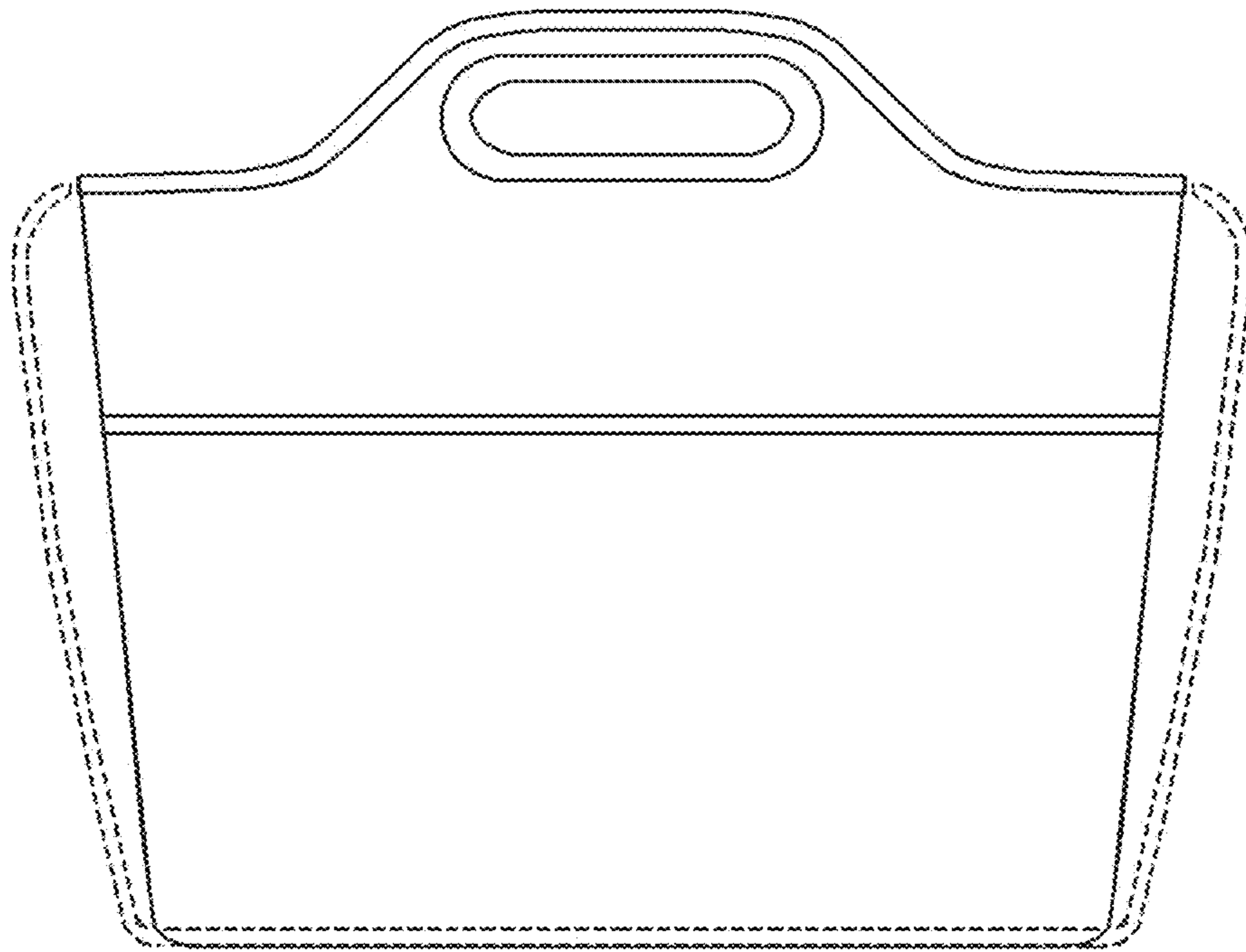


Fig. 2

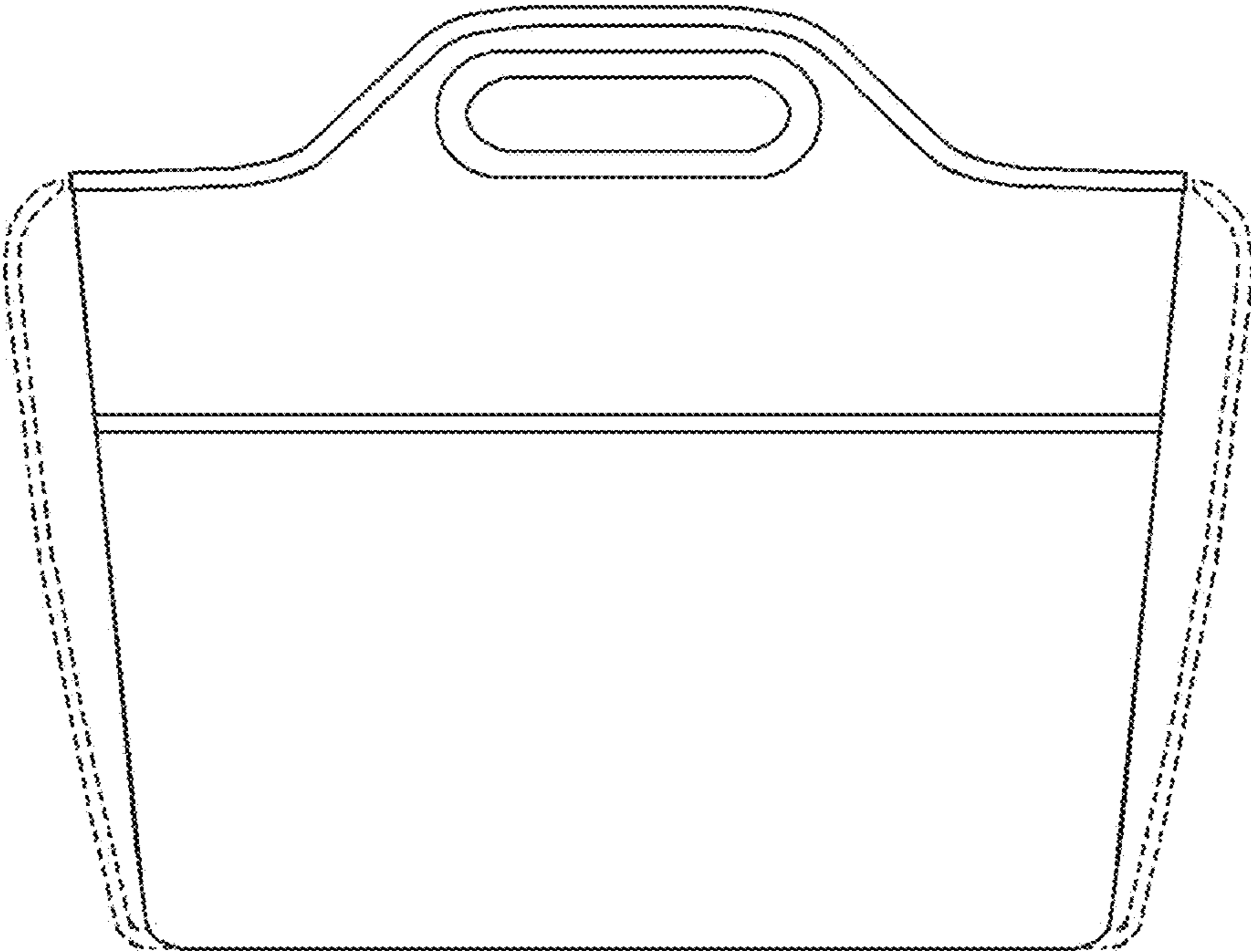


Fig. 3

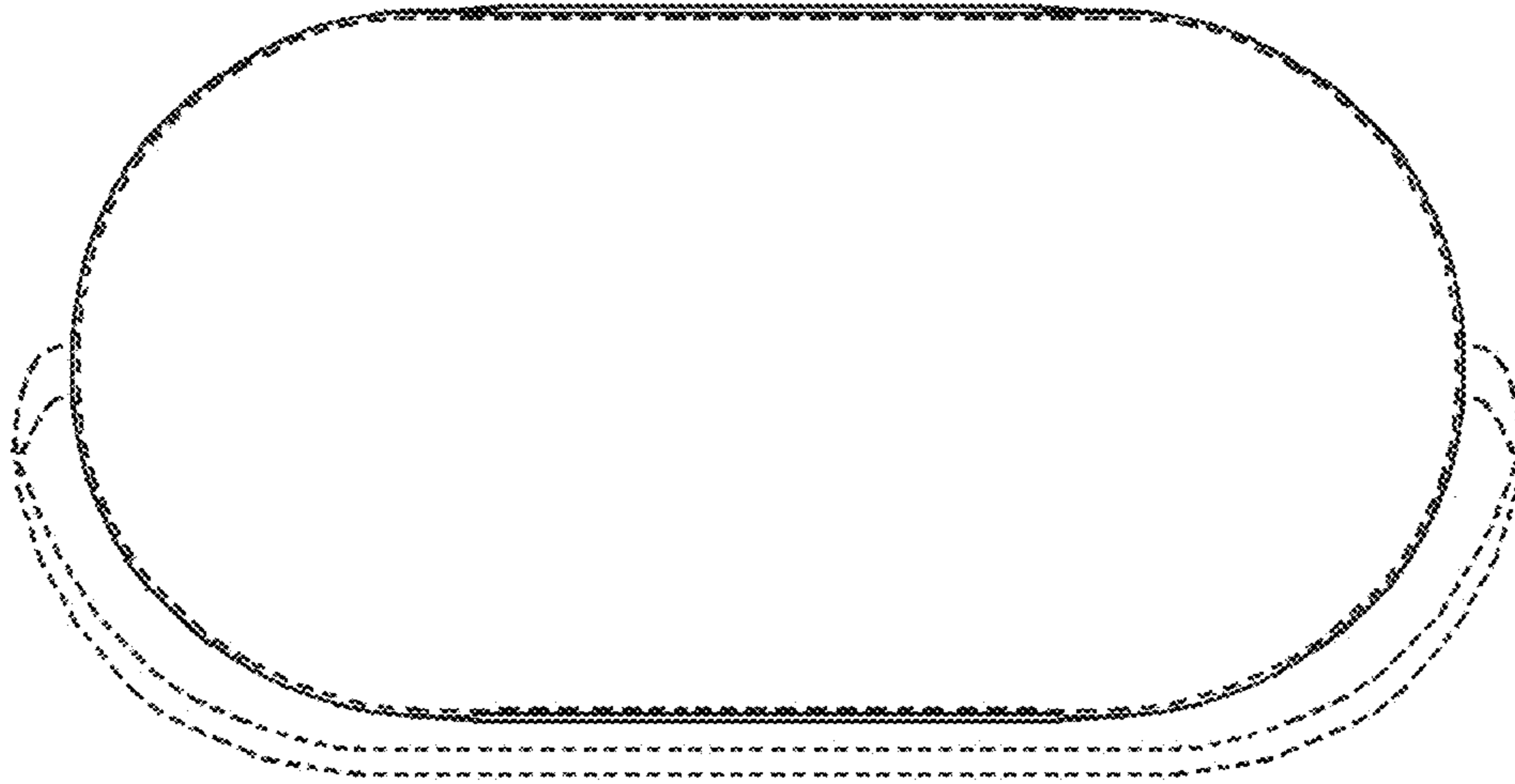


Fig. 4

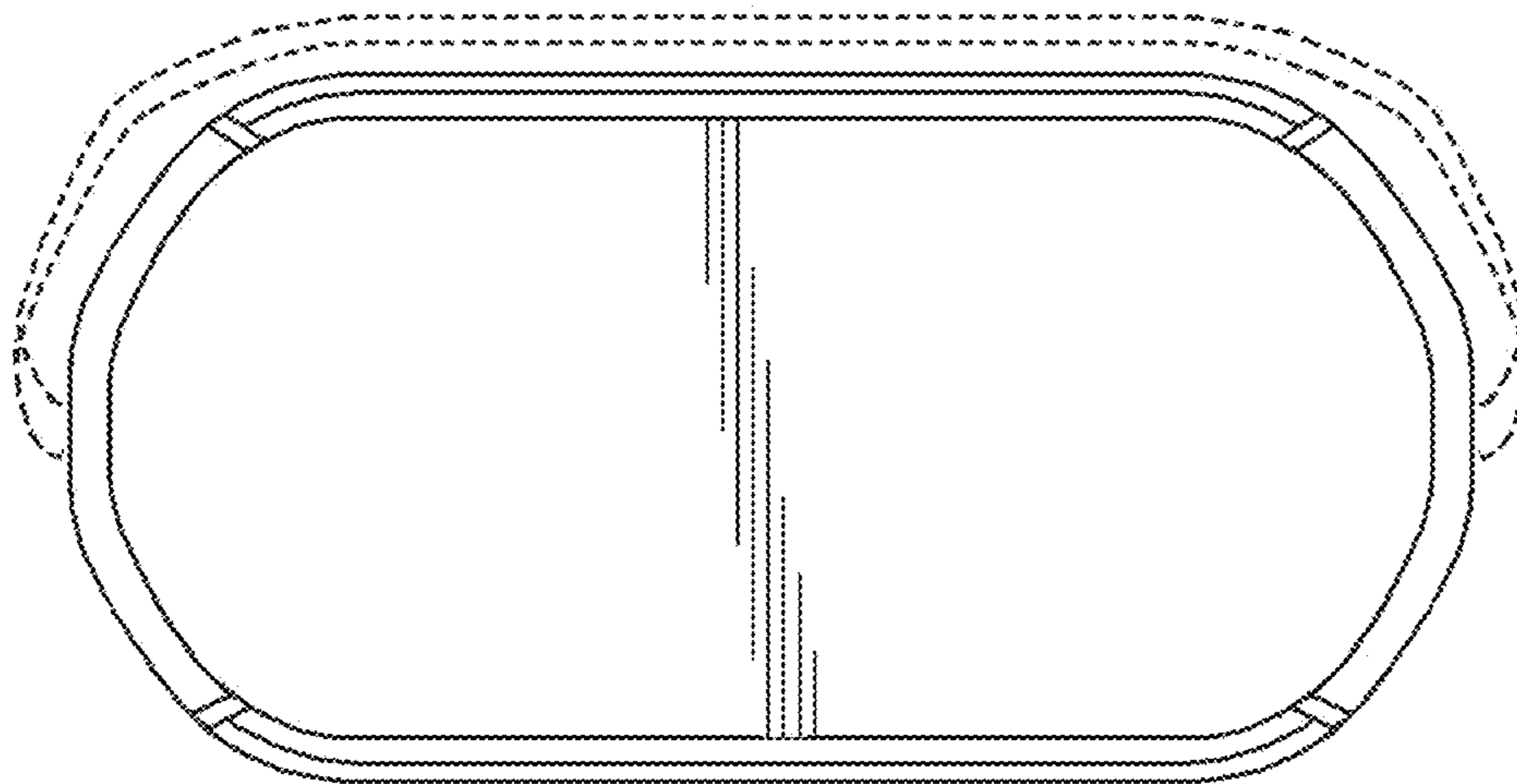


Fig. 5

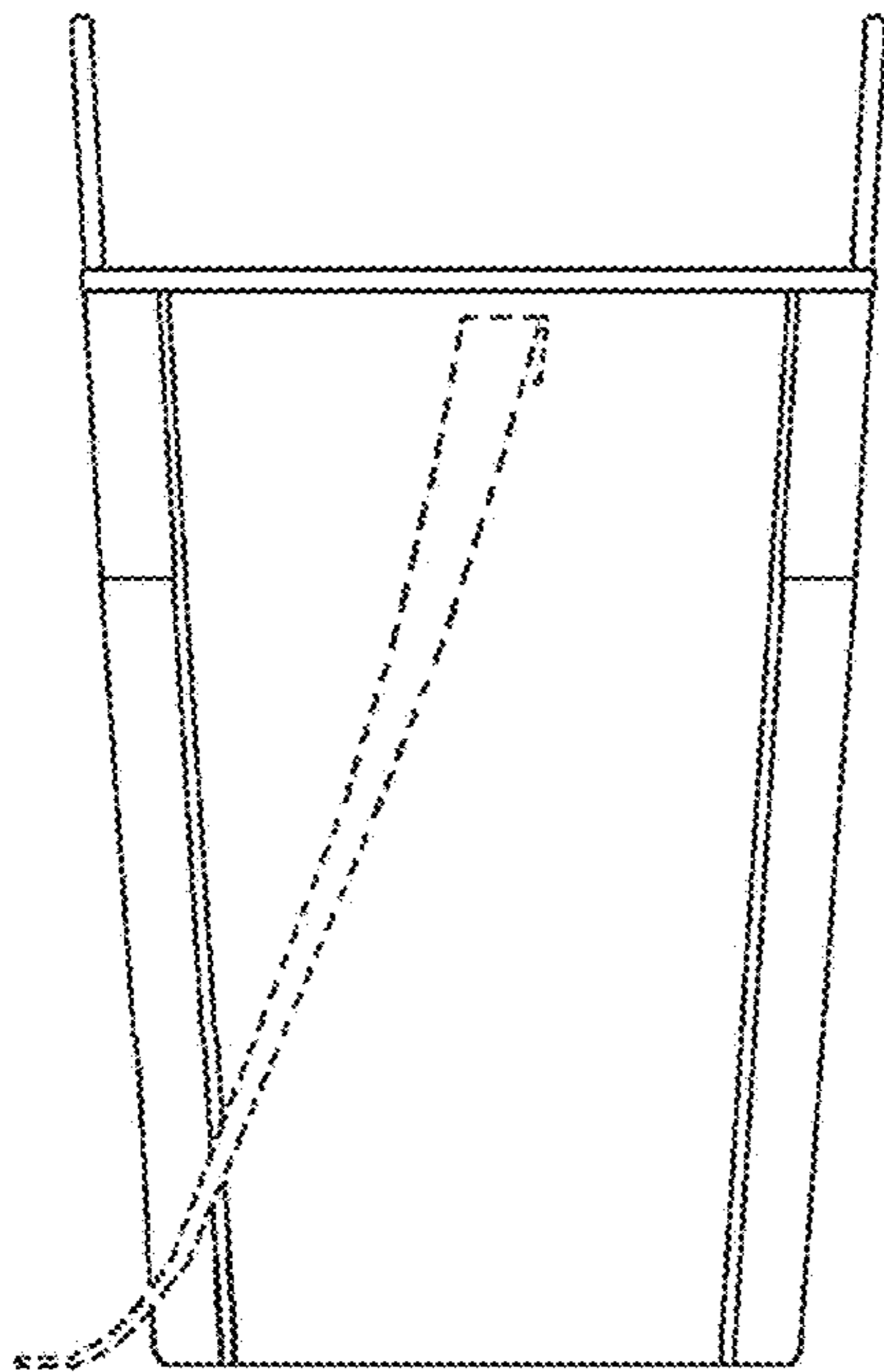


Fig. 6

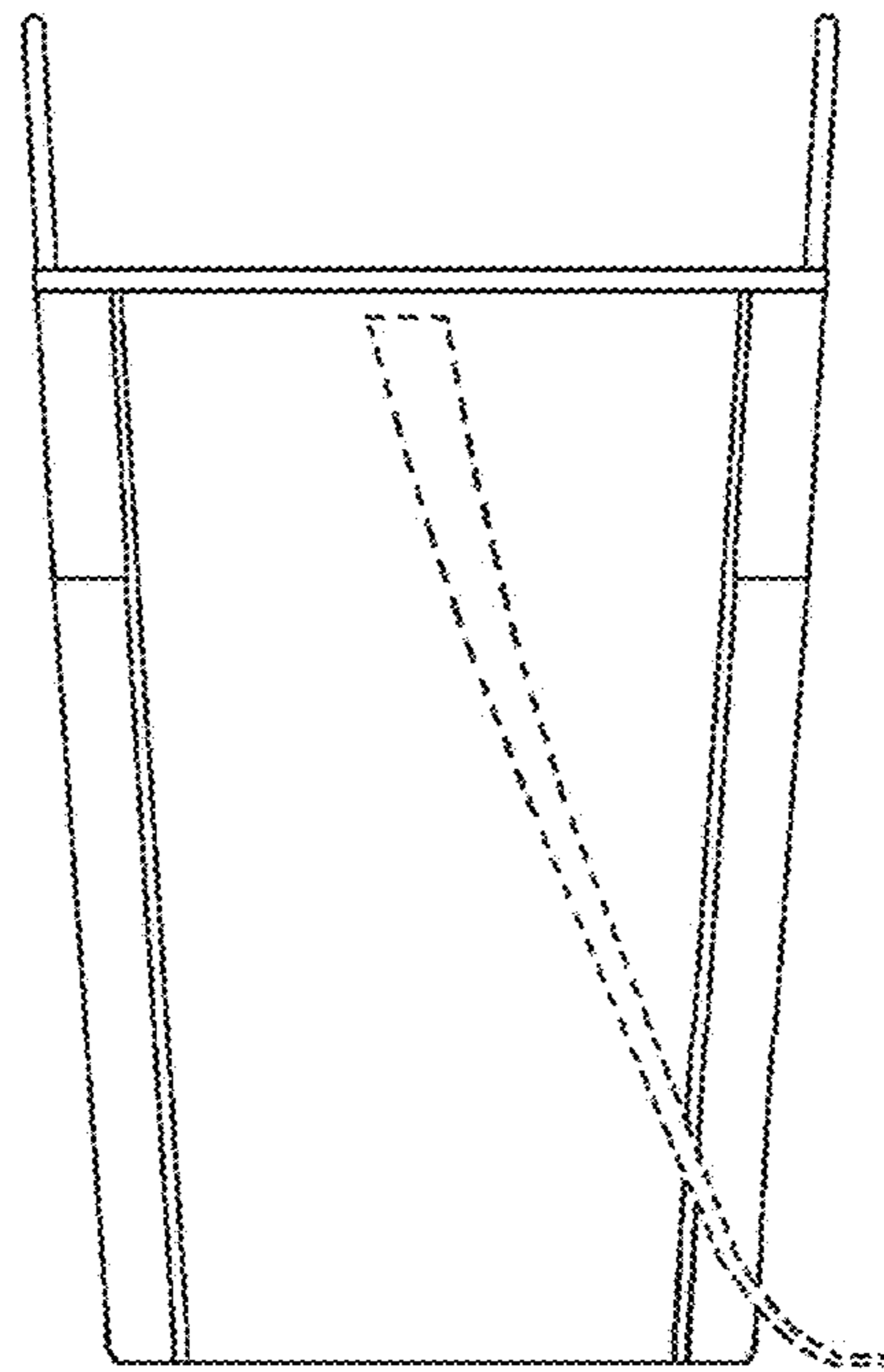


Fig. 7