



US00D816423S

(12) **United States Design Patent** (10) **Patent No.:** **US D816,423 S**
DeFrancia (45) **Date of Patent:** **** *May 1, 2018**

- (54) **COMBINATION CONTAINER AND WAGON** 5,228,706 A * 7/1993 Boville A45C 5/146
280/30
- (71) Applicant: **Ice Rover, Inc.**, Boulder, CO (US) D340,620 S * 10/1993 Peters D7/605
- (72) Inventor: **Tomas A. DeFrancia**, Boulder, CO (US) 5,249,438 A 10/1993 Rhaney et al.
5,269,157 A 12/1993 Ciminelli et al.
5,285,656 A * 2/1994 Peters A45C 5/14
16/38
- (73) Assignee: **Ice Rover, Inc.**, Boulder, CO (US) 5,285,936 A 2/1994 Matricardi
5,313,817 A 5/1994 Meinders
D353,304 S * 12/1994 Friedrich D7/605
5,423,195 A 6/1995 Peters
(Continued)
- (*) Notice: This patent is subject to a terminal disclaimer.

(**) Term: **15 Years**

(21) Appl. No.: **29/571,428**

(22) Filed: **Jul. 18, 2016**

(51) **LOC (11) Cl.** **07-01**

(52) **U.S. Cl.**

USPC **D7/605**; D3/279; D3/905

(58) **Field of Classification Search**

USPC D3/269, 272, 273, 274, 276, 279, 281,
D3/282, 283, 288, 290, 294, 298, 299,
D3/905, 217; D7/605

CPC B62B 1/00; B62B 3/00; B62B 2204/06;
B62B 2202/52; B25H 3/00; B25H 3/003;
B25H 3/02; A45C 7/00; A45C 5/00;
A45C 5/005; A45C 2005/037; A45C
5/04; A45C 5/14; A45C 2007/0004; A45C
7/0018; A45C 2009/002

See application file for complete search history.

(56) **References Cited**

U.S. PATENT DOCUMENTS

- 4,759,560 A 7/1988 Virgulti
- 4,846,493 A * 7/1989 Mason A45C 5/146
190/18 A
- 4,873,841 A * 10/1989 Bradshaw A45C 5/14
280/47.17
- 4,932,677 A 6/1990 Shustack
- 4,976,448 A 12/1990 Wickersham et al.

OTHER PUBLICATIONS

Amazon, "RovR 80 Quart Wheeled Camping Cooler", First reviewed on Jan. 9, 2017. (<https://www.amazon.com/RovR-Quart-Wheeled-Camping-Cooler/dp/B01M0SKHGH>).*

(Continued)

Primary Examiner — Jennifer Rivard

Assistant Examiner — April Rivas

(74) *Attorney, Agent, or Firm* — Lieberman & Brandsdorfer, LLC

(57) **CLAIM**

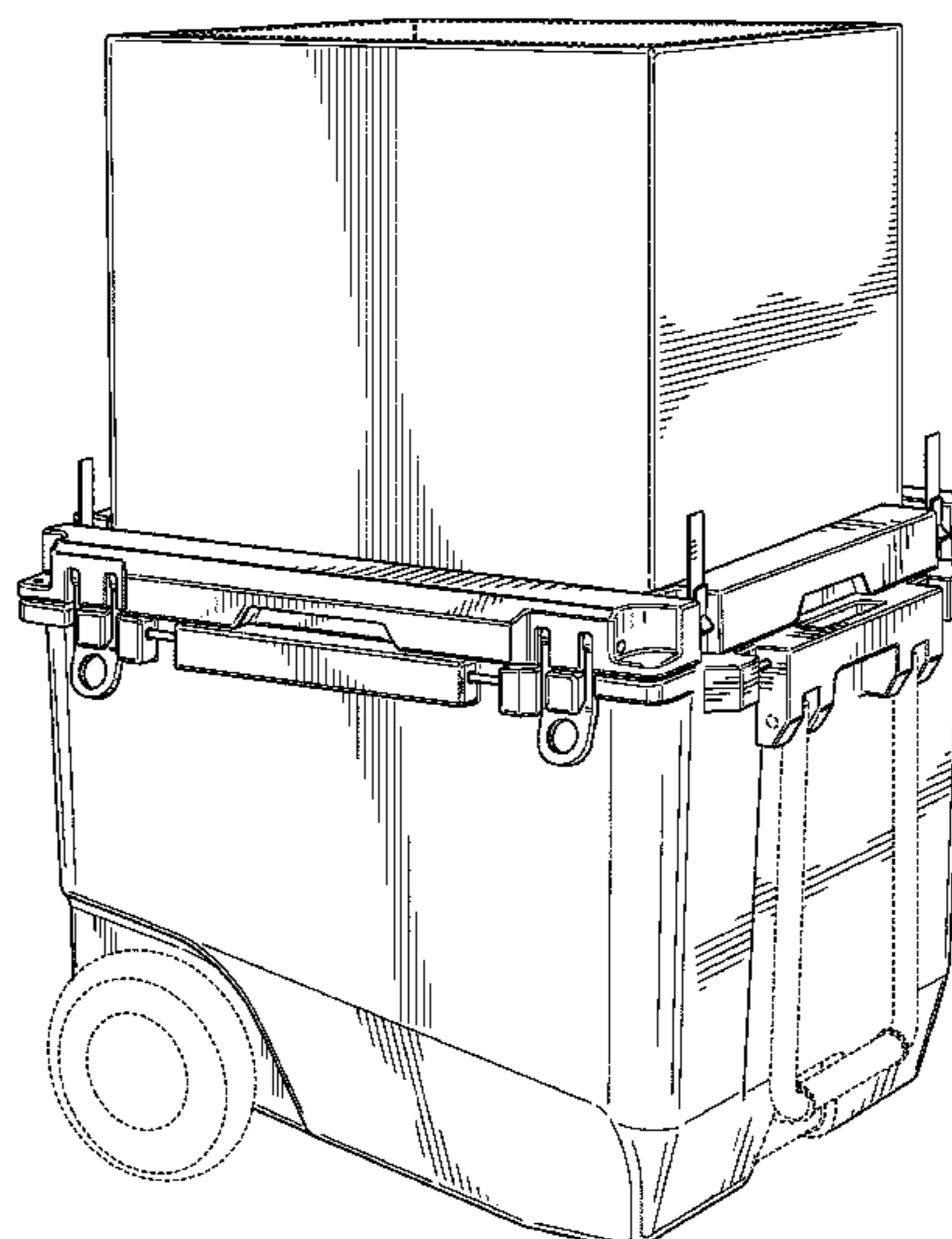
The ornamental design for a combination container and wagon, as shown and described.

DESCRIPTION

FIG. 1 is a front perspective view of a combined container and wagon showing my new design; FIG. 2 is a front view thereof; FIG. 3 is a rear view thereof; FIG. 4 is a left side view thereof; FIG. 5 is a right side view thereof; FIG. 6 is a top plan view thereof; and, FIG. 7 is a bottom plan view thereof.

The broken lines are included for the purpose of illustrating portions of the multi-terrain container that form no part of the claimed design.

1 Claim, 7 Drawing Sheets



(56)

References Cited

U.S. PATENT DOCUMENTS

5,465,985 A * 11/1995 Devan A45C 5/146
280/30

5,479,866 A 1/1996 Rae

5,595,429 A 1/1997 Kennedy

5,803,472 A 9/1998 Lien

5,953,931 A 9/1999 Brittain

D415,658 S * 10/1999 Frehse D7/605

D429,606 S * 8/2000 Israel D7/605

6,153,857 A 11/2000 Gunnels

6,318,713 B1 * 11/2001 Levi B25H 1/04
206/216

6,318,740 B1 11/2001 Nappo

6,364,329 B1 4/2002 Holub et al.

6,394,325 B1 5/2002 Taylor

6,446,988 B1 9/2002 Kho

6,474,097 B2 11/2002 Treppedi et al.

D480,276 S * 10/2003 Duart D7/605

6,895,778 B1 5/2005 Ackerman

D514,891 S * 2/2006 Garcia D7/605

7,252,295 B2 8/2007 Bludworth

7,334,802 B2 * 2/2008 Kaplan A45C 9/00
108/14

D609,911 S * 2/2010 Twig D3/279

D613,560 S * 4/2010 Robichaud D7/605

7,891,678 B2 * 2/2011 Anderson B25H 3/00
280/30

D649,783 S * 12/2011 Brunner D3/279

9,199,657 B2 * 12/2015 Martin B62B 5/0083

D767,277 S * 9/2016 Faibish D3/279

D770,179 S * 11/2016 Menirom D3/279

D771,381 S * 11/2016 Sosnovsky D3/279

9,550,605 B1 * 1/2017 Summers B65D 21/0215

2008/0179847 A1 7/2008 DeFrancia

2010/0000893 A1 * 1/2010 Twig B25H 3/023
206/373

2012/0292213 A1 * 11/2012 Brunner B25H 3/028
206/349

2014/0197059 A1 * 7/2014 Evans B25H 3/02
206/349

2017/0129097 A1 * 5/2017 Engvall B25H 3/02

OTHER PUBLICATIONS

Amazon, "Coleman Party Stacker 20 Can Cooler", Accessed Nov. 15, 2017, Reviewed as early as Sep. 28, 2010. (<https://www.amazon.com/Coleman-Can-Party-Stacker-Cooler/dp/B002BMB8T2>).*

California Cooler Bags, "Backpack w/ Detachable Cooler Bag", Accessed Nov. 15, 2017, earliest wayback machine cache Nov. 14, 2012. (<http://www.californiacoolerbags.com/duobawireco.html>).*

* cited by examiner

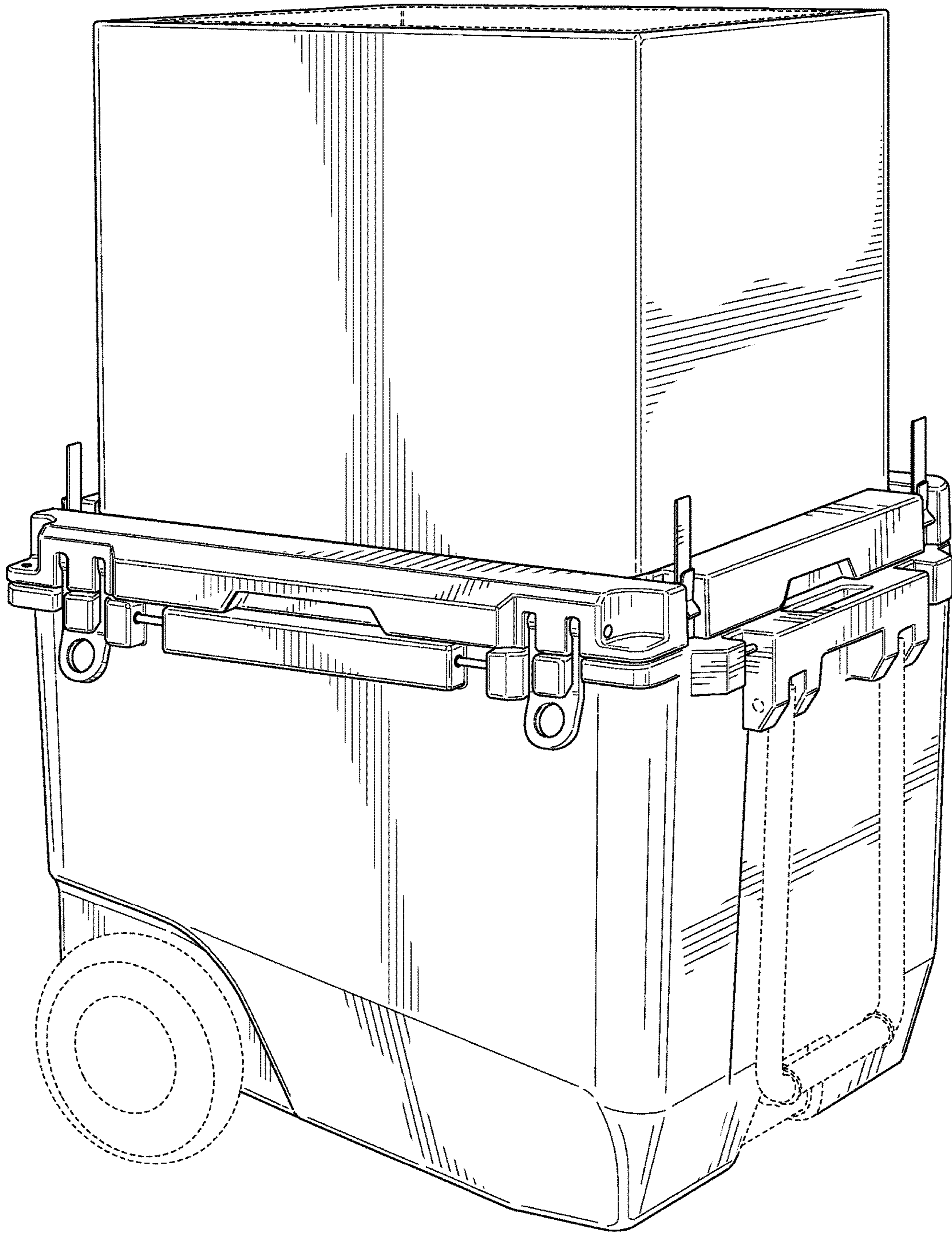


FIG. 1

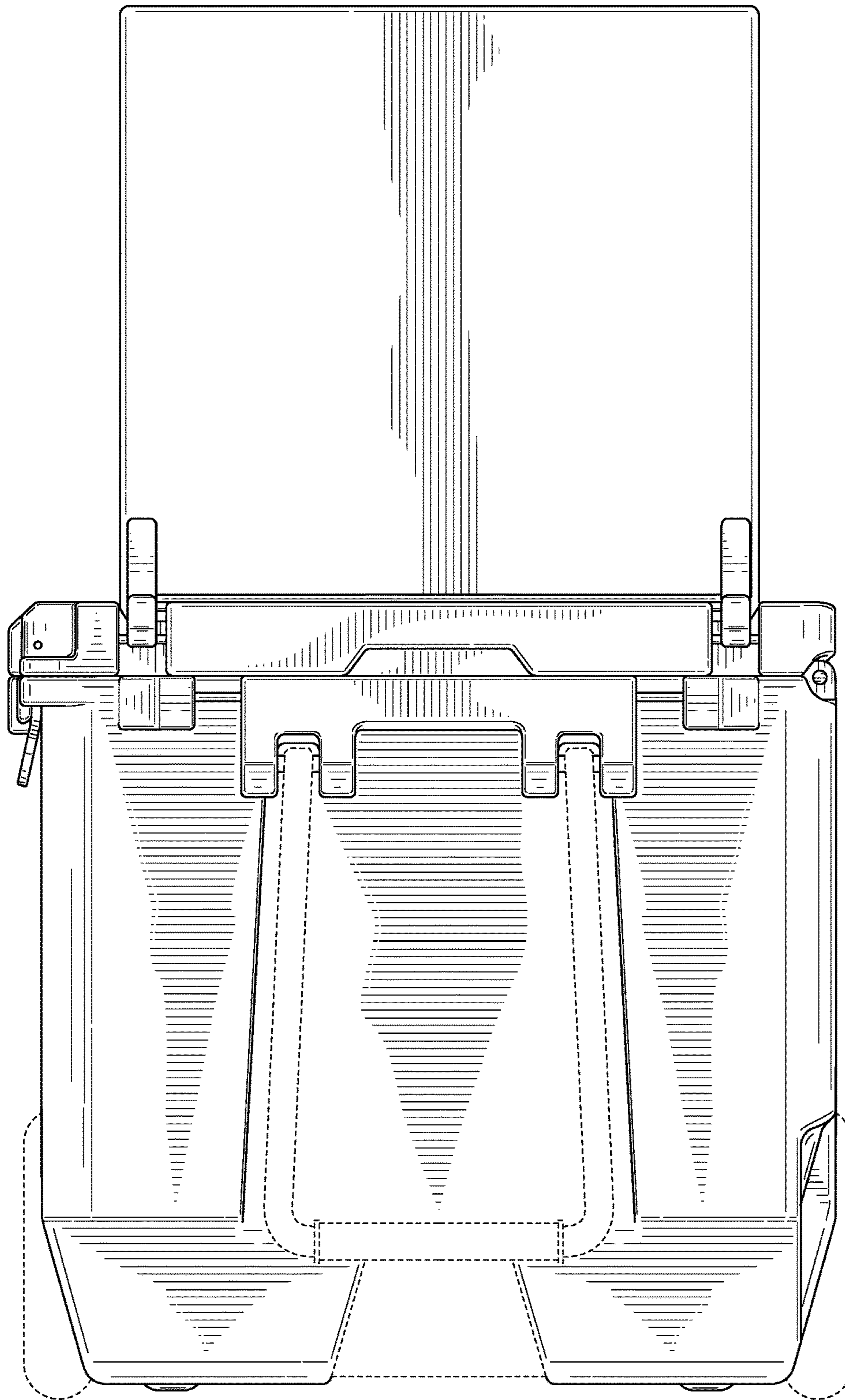


FIG. 2

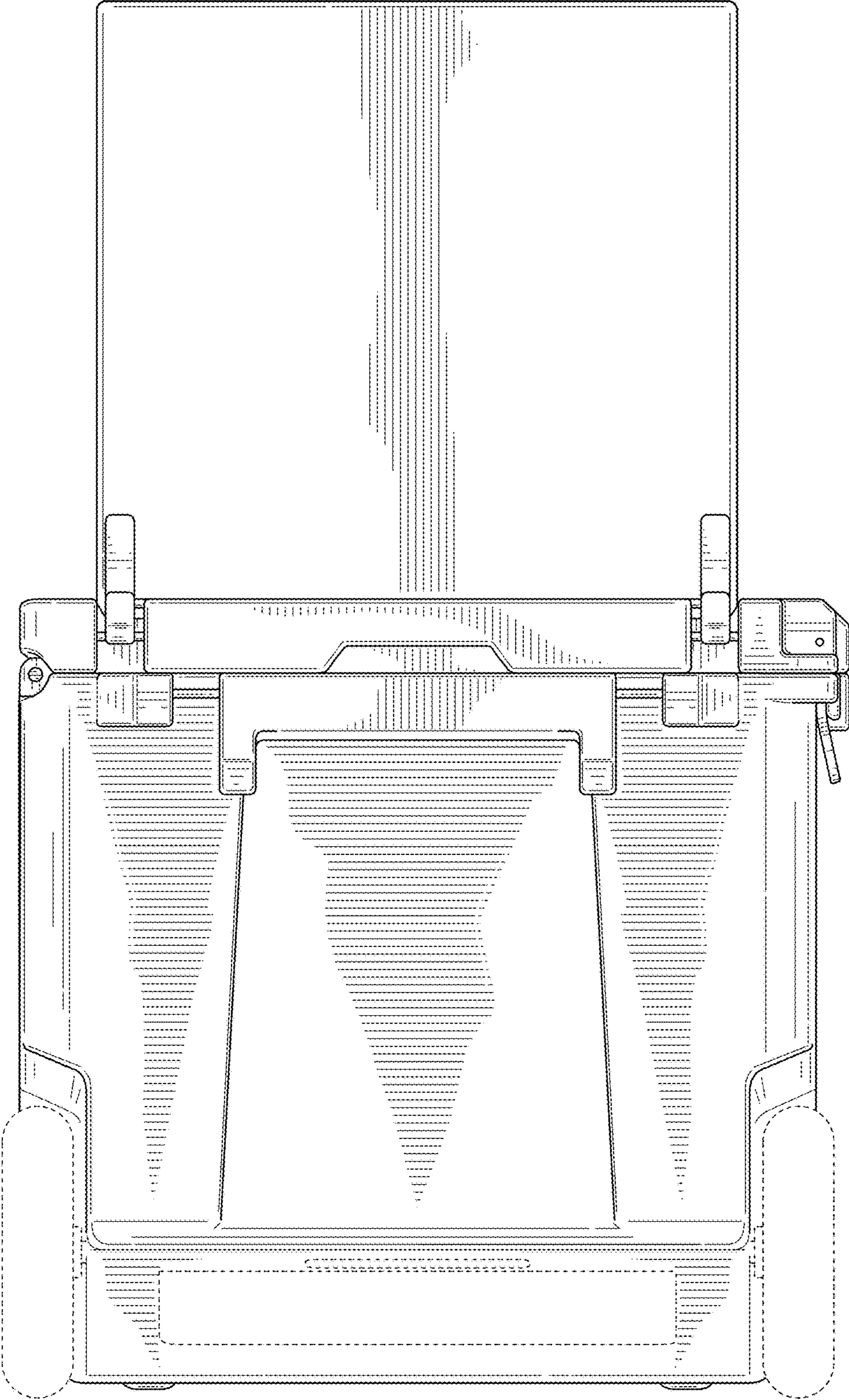


FIG. 3

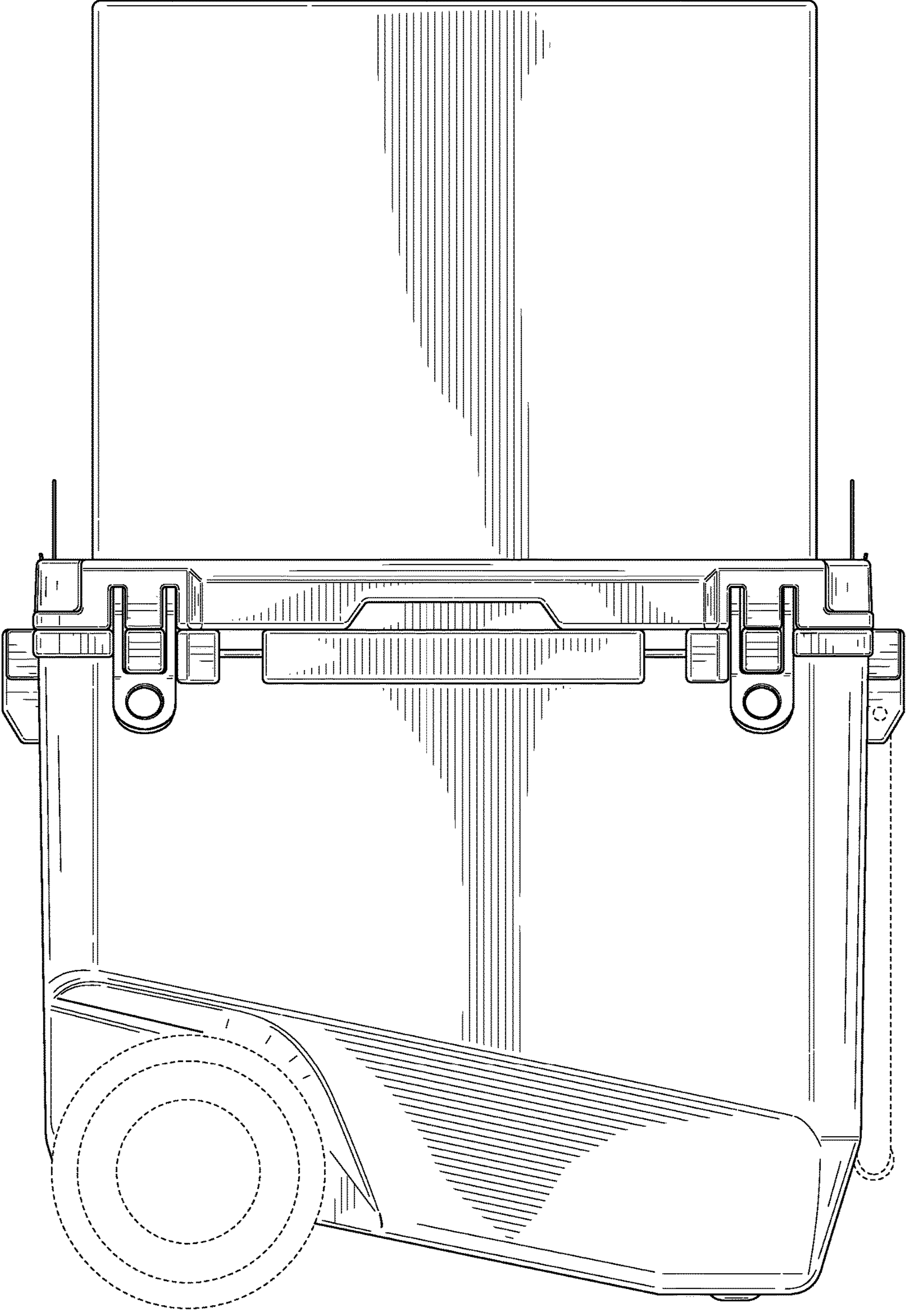


FIG. 4

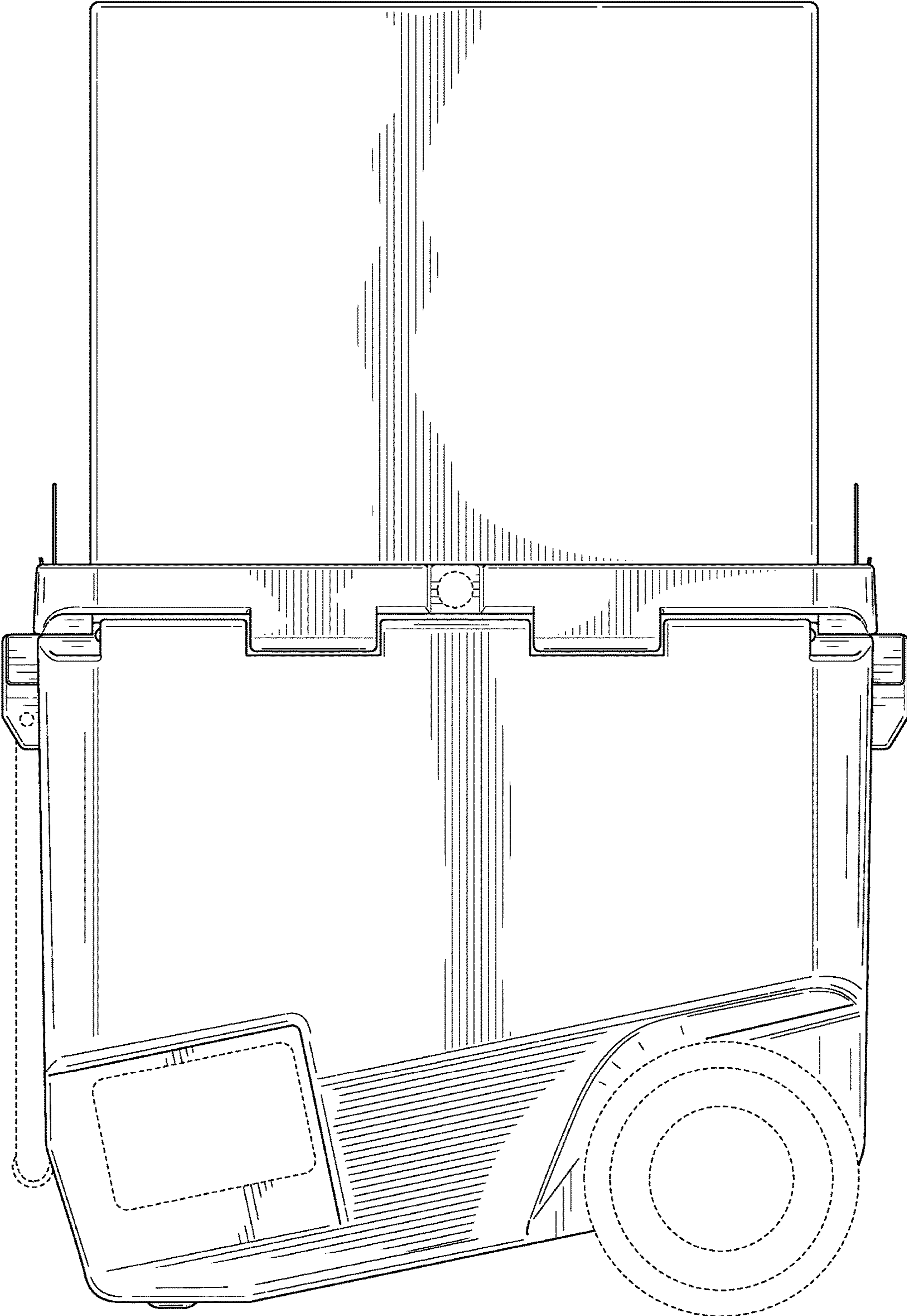


FIG. 5

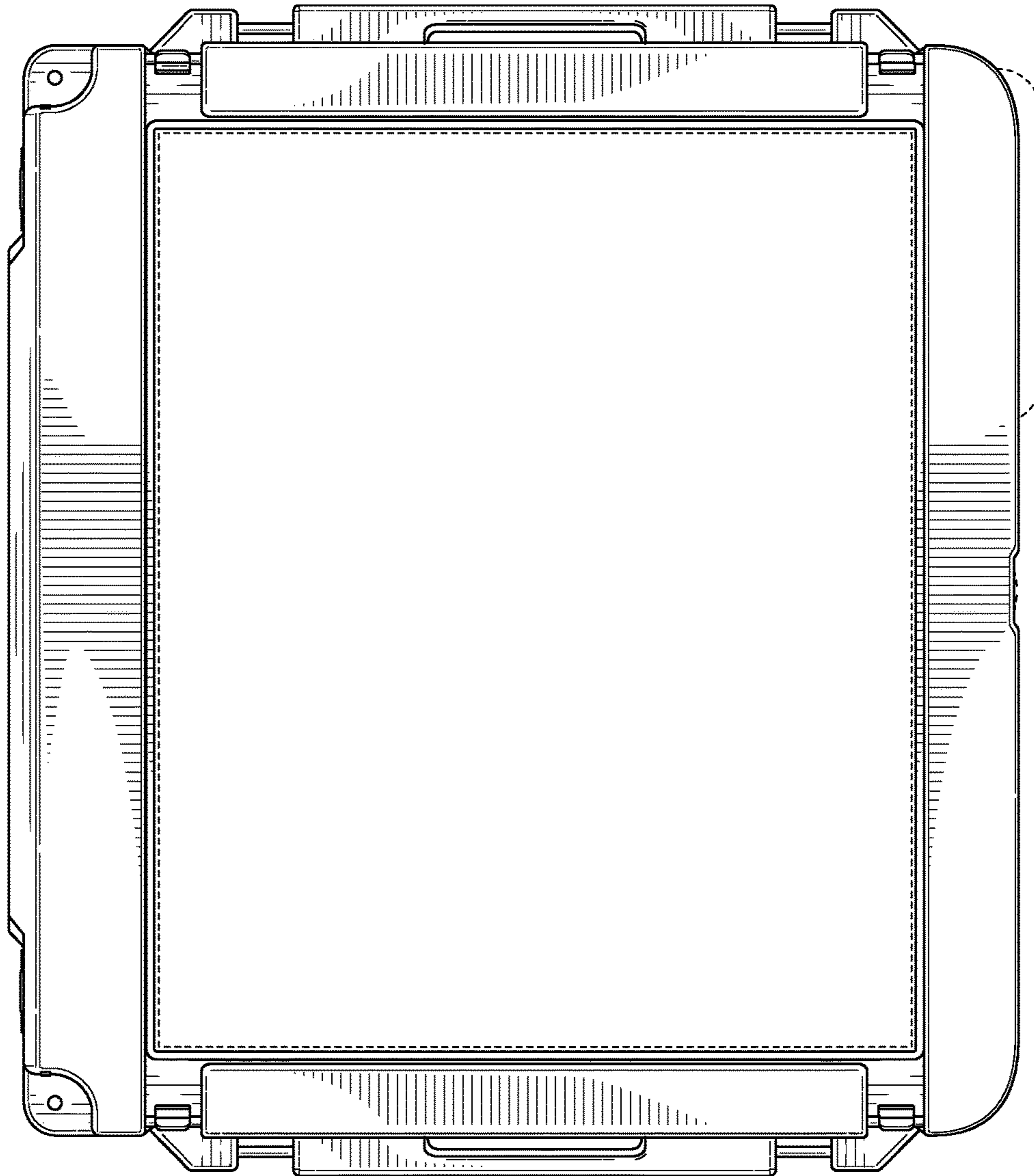


FIG. 6

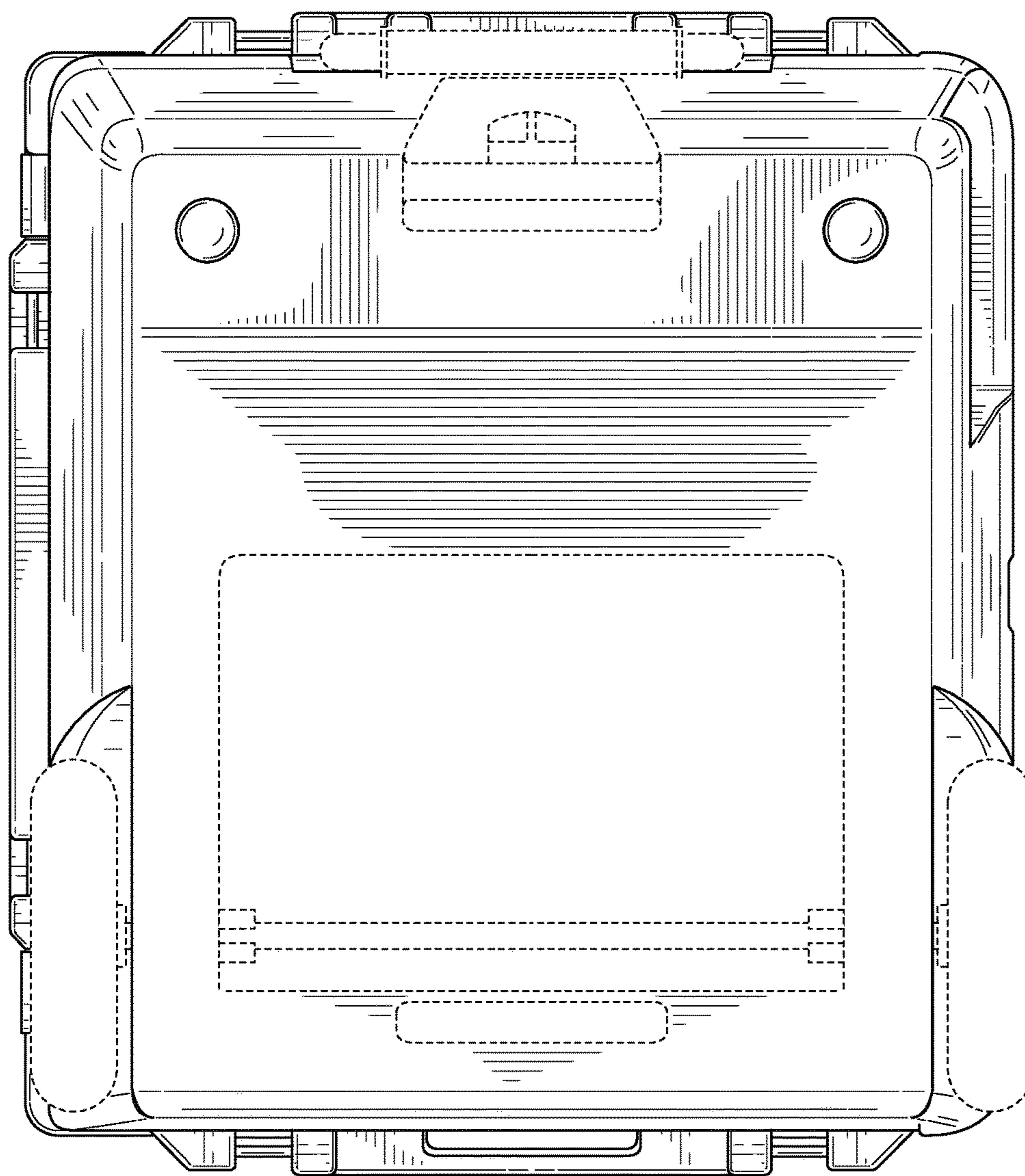


FIG. 7