



US00D816421S

(12) **United States Design Patent**  
**O'Hara**

(10) **Patent No.:** **US D816,421 S**

(45) **Date of Patent:** **\*\* May 1, 2018**

(54) **FOOD CONTAINER**

(71) Applicant: **Mashblox Pty Ltd**, Hornsby (AU)

(72) Inventor: **Alix O'Hara**, Hornsby (AU)

(73) Assignee: **Mashblox Pty Ltd**, Hornsby (AU)

(\*\*) Term: **15 Years**

(21) Appl. No.: **29/584,537**

(22) Filed: **Nov. 15, 2016**

(30) **Foreign Application Priority Data**

Oct. 4, 2016 (AU) ..... 201615620

(51) **LOC (11) Cl.** ..... **07-01**

(52) **U.S. Cl.**  
USPC ..... **D7/602**

(58) **Field of Classification Search**

USPC ..... D7/602, 538-542, 601, 612-615, 629,  
D7/630; D3/212, 272, 273, 274, 905;  
D9/415-419, 424-426, 427-432, 737,  
D9/782; 206/499, 508, 557; 220/23.4,  
220/23.6, 315, 500, 659; 229/105,  
229/117.09, 117.26, 189, 406, 407, 902,  
229/905; D19/77  
CPC ..... B29L 2031/7162; B29L 2031/7166; B65D  
1/22; B65D 1/225; B65D 1/34; B65D  
43/162; B65D 81/02; B65D 81/3813;  
B65D 5/001; B65D 2543/00296; B65D  
43/02; B65D 35/44; A47J 47/02; A47J  
47/14

See application file for complete search history.

(56) **References Cited**

**U.S. PATENT DOCUMENTS**

D487,870 S \* 3/2004 Stewart ..... D9/432  
D507,755 S \* 7/2005 Reitze ..... D9/432

D514,437 S \* 2/2006 Kim ..... D9/416  
D514,928 S \* 2/2006 Keberlein ..... 206/233  
D562,126 S \* 2/2008 Kienemund-Paroll ..... D9/418  
D573,846 S \* 7/2008 Moghavem ..... D7/629  
D672,612 S \* 12/2012 Stamper ..... D7/602  
D737,635 S \* 9/2015 Bronwasser ..... D7/629  
D773,901 S \* 12/2016 Marret ..... D7/629

\* cited by examiner

*Primary Examiner* — Wan Laymon

*Assistant Examiner* — Mark Booker

(74) *Attorney, Agent, or Firm* — Fitch, Even, Tabin &  
Flannery LLP

(57) **CLAIM**

I claim the ornamental design for a food container, as shown  
and described.

**DESCRIPTION**

FIG. 1 is a perspective view of a food container in accordance with a first embodiment of my new design;  
FIG. 2 is a top plan view thereof;  
FIG. 3 is a bottom plan view thereof, with the right and left side elevation views, front elevation view, and rear elevation view being identical thereto;  
FIG. 4 is a cross-section view taken along line 4-4 of FIG. 1;  
FIG. 5 is a perspective view of a food container in accordance with a second embodiment of my new design;  
FIG. 6 is a top plan view thereof;  
FIG. 7 is a bottom plan view thereof, with the right and left side elevation views, the front elevation view, and rear elevation view thereof being identical thereto; and,  
FIG. 8 is a cross-section view taken along line 8-8 of FIG. 5.

**1 Claim, 4 Drawing Sheets**

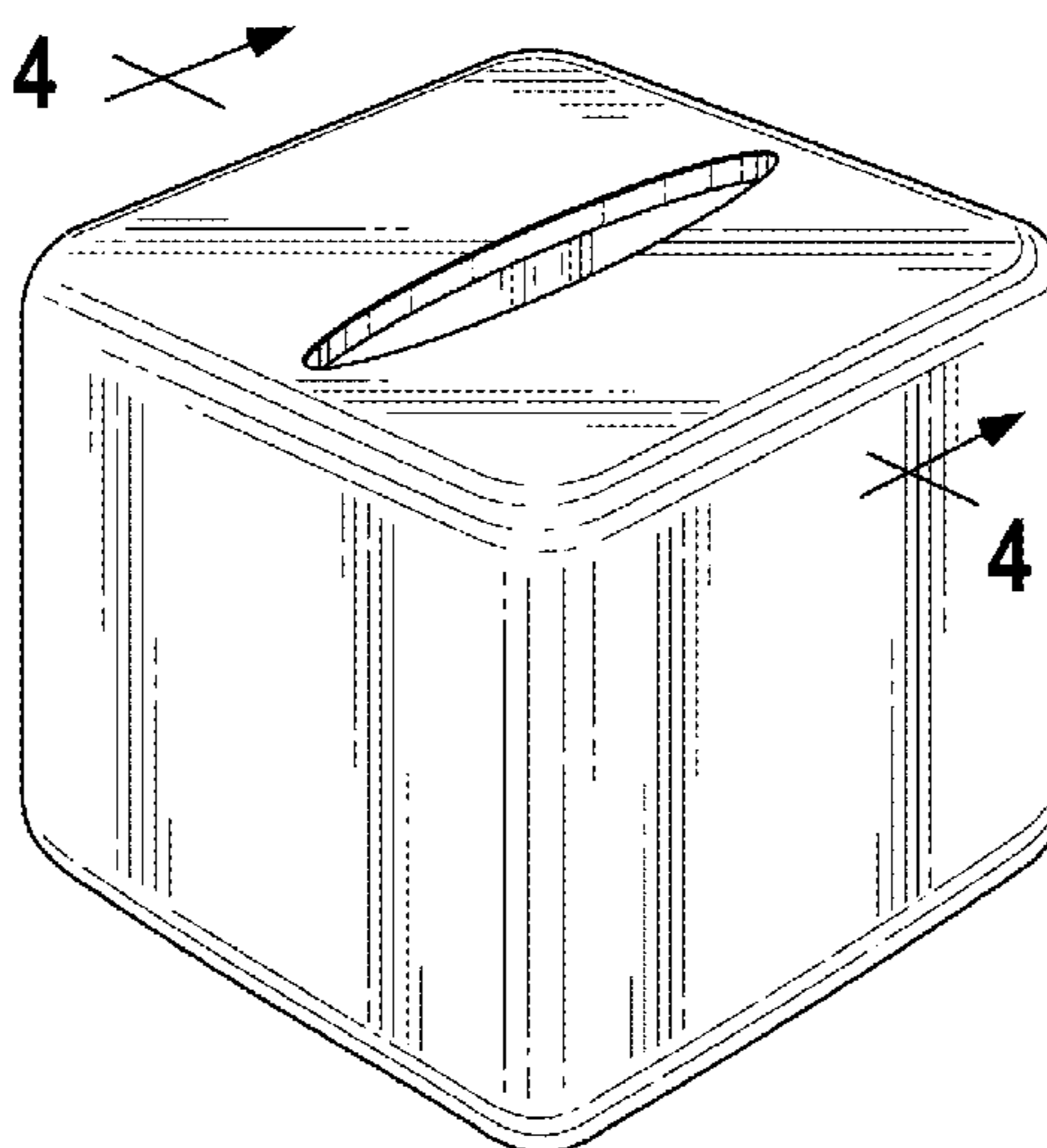


FIG. 1

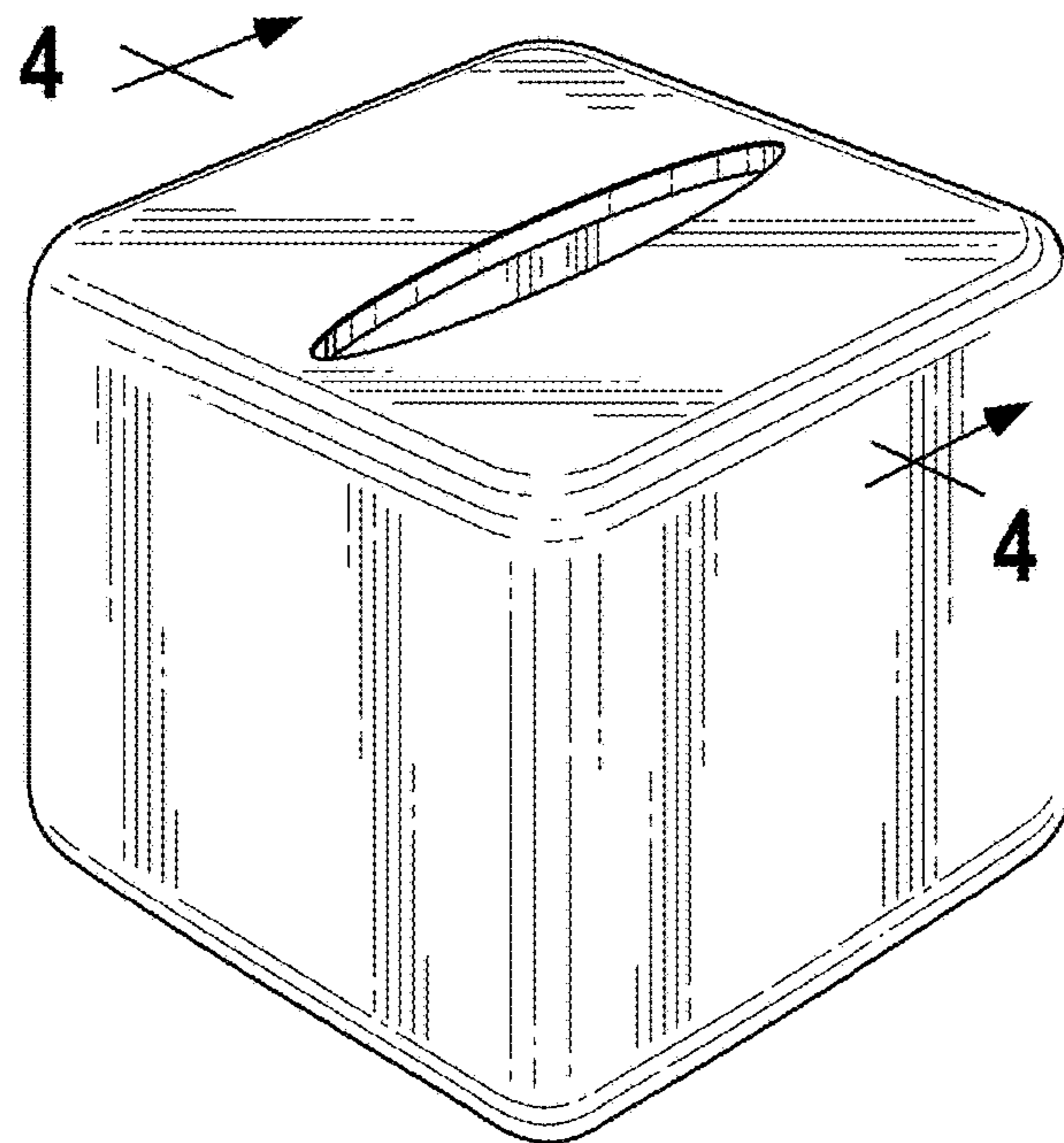


FIG. 2

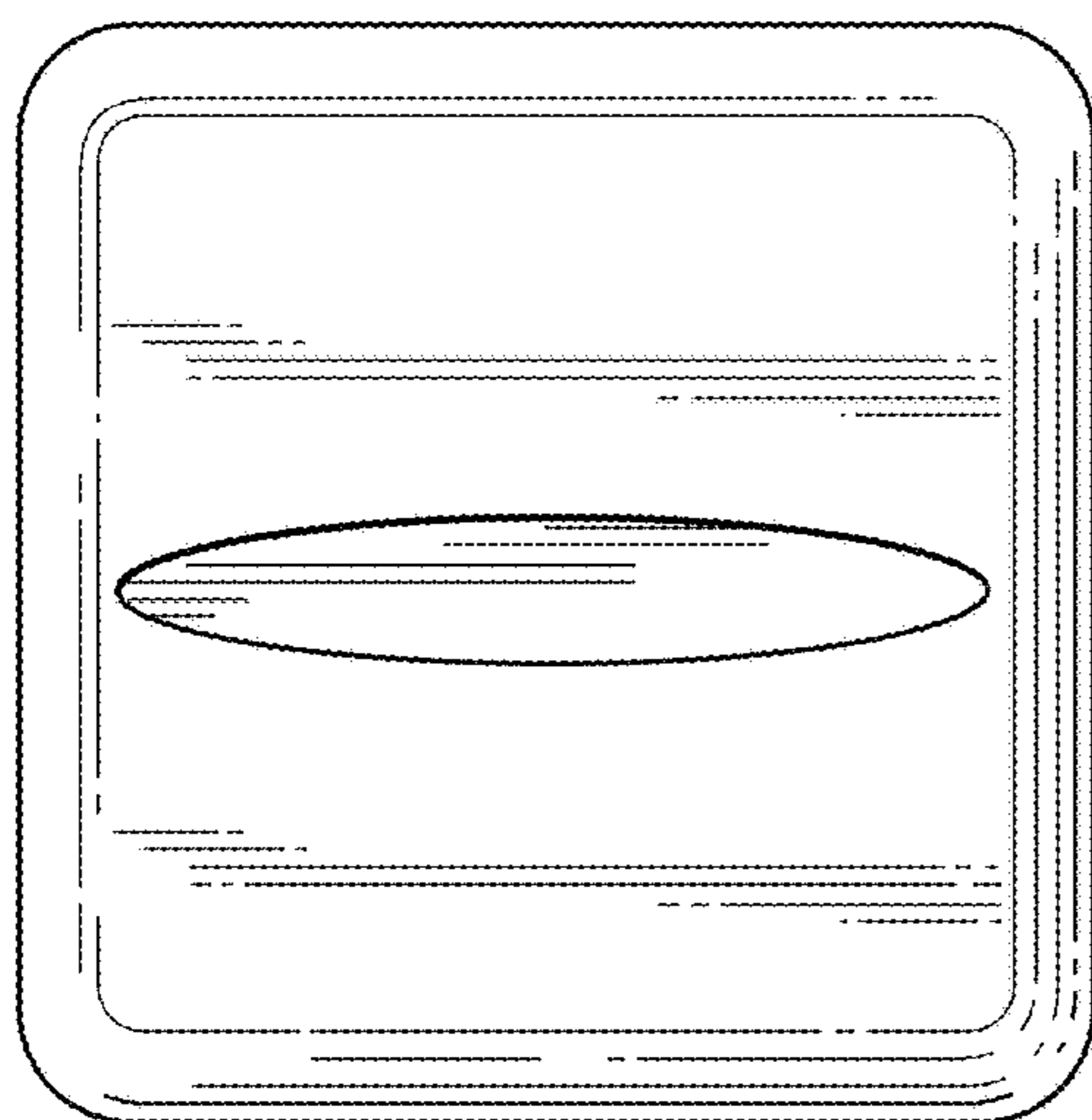


FIG. 3

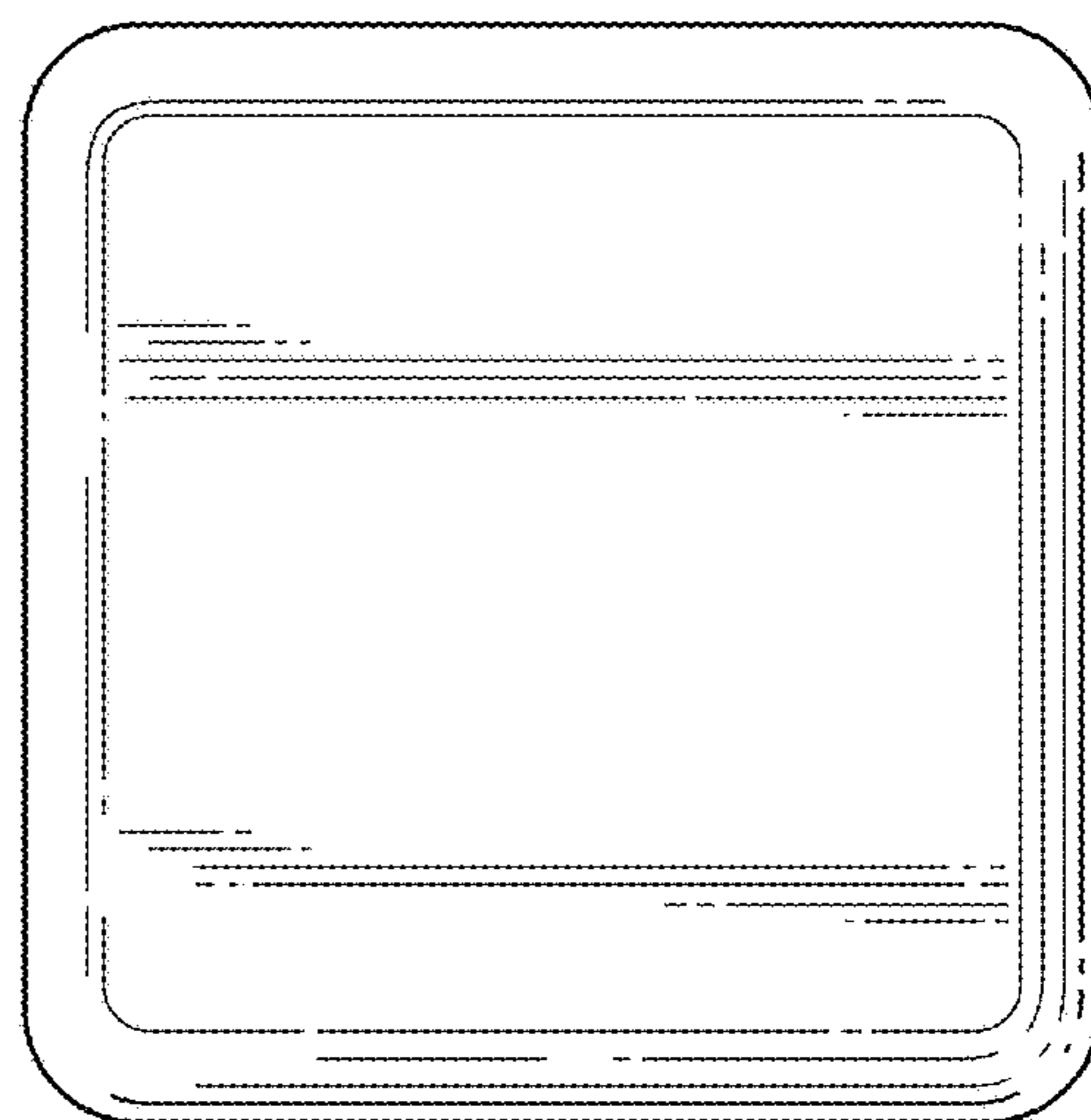


FIG. 4

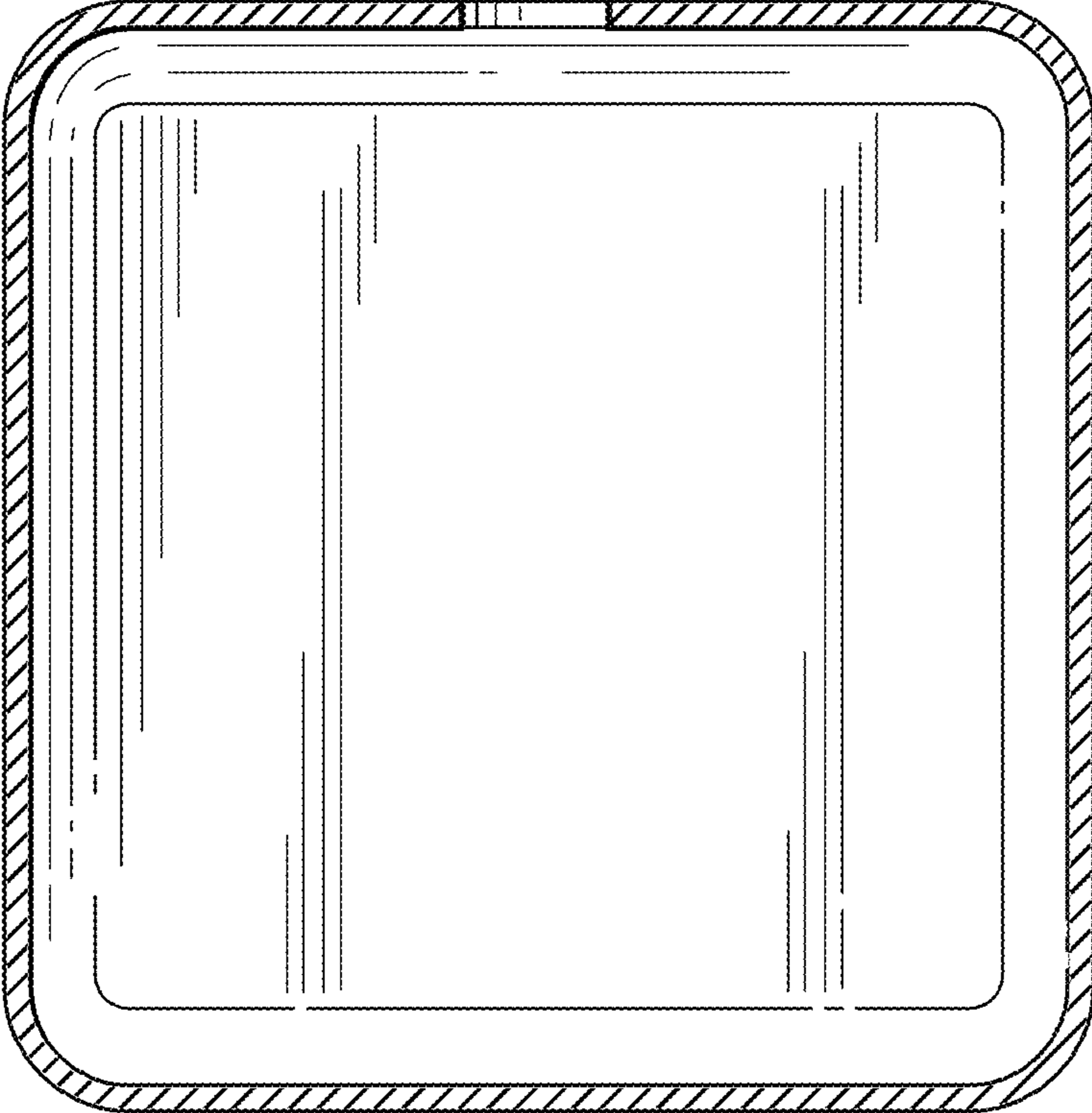


FIG. 5

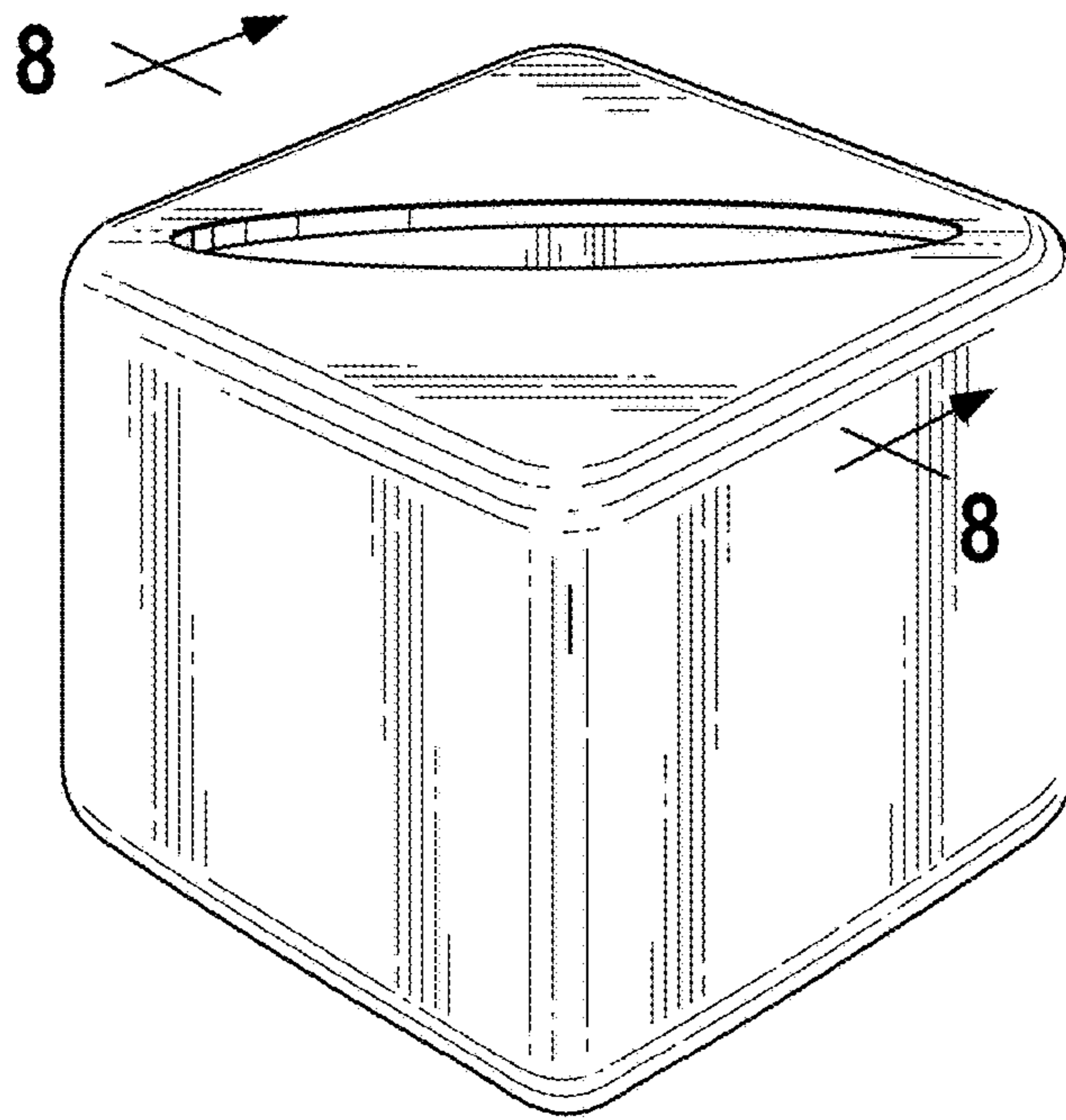


FIG. 6

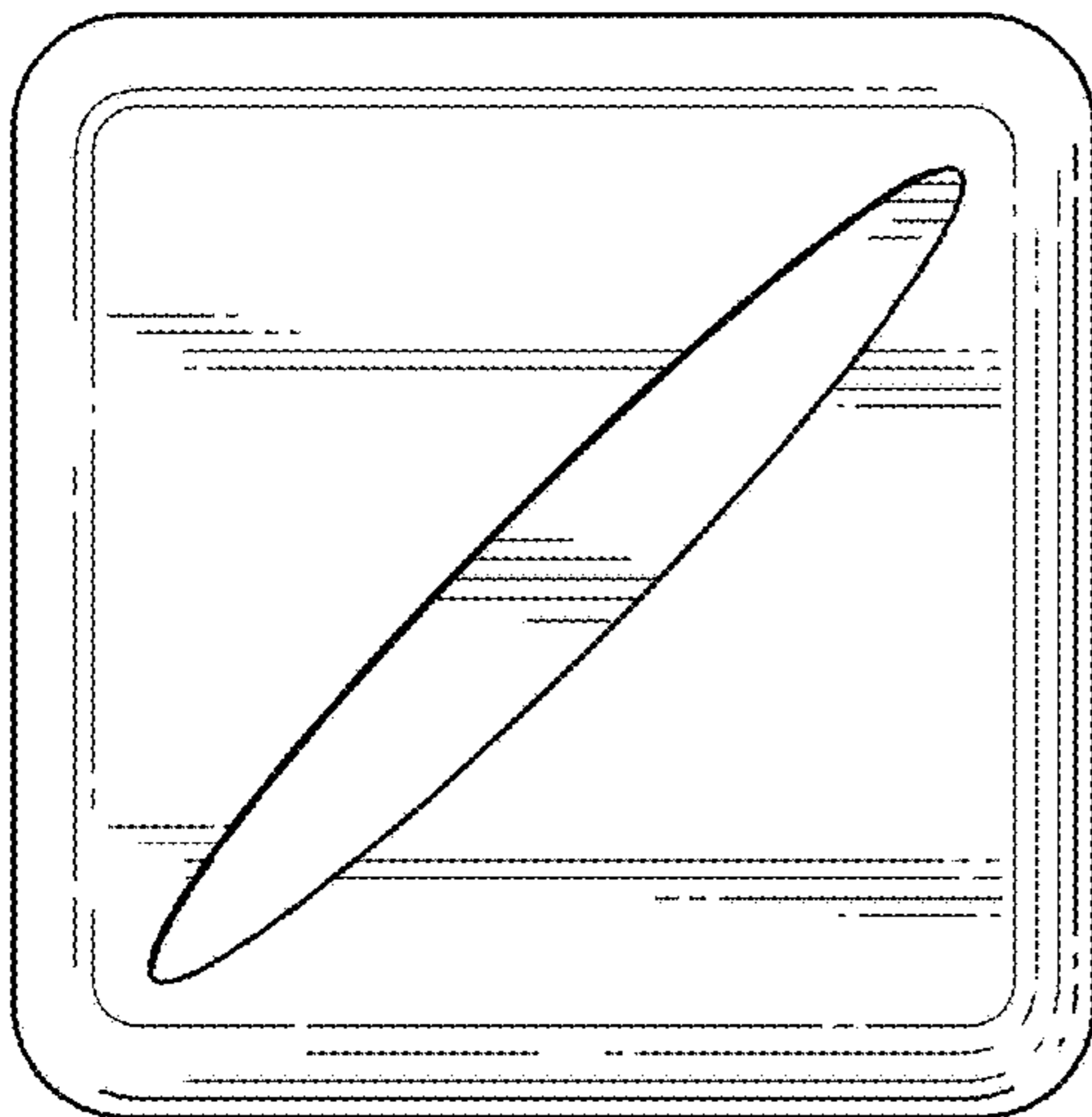


FIG. 7

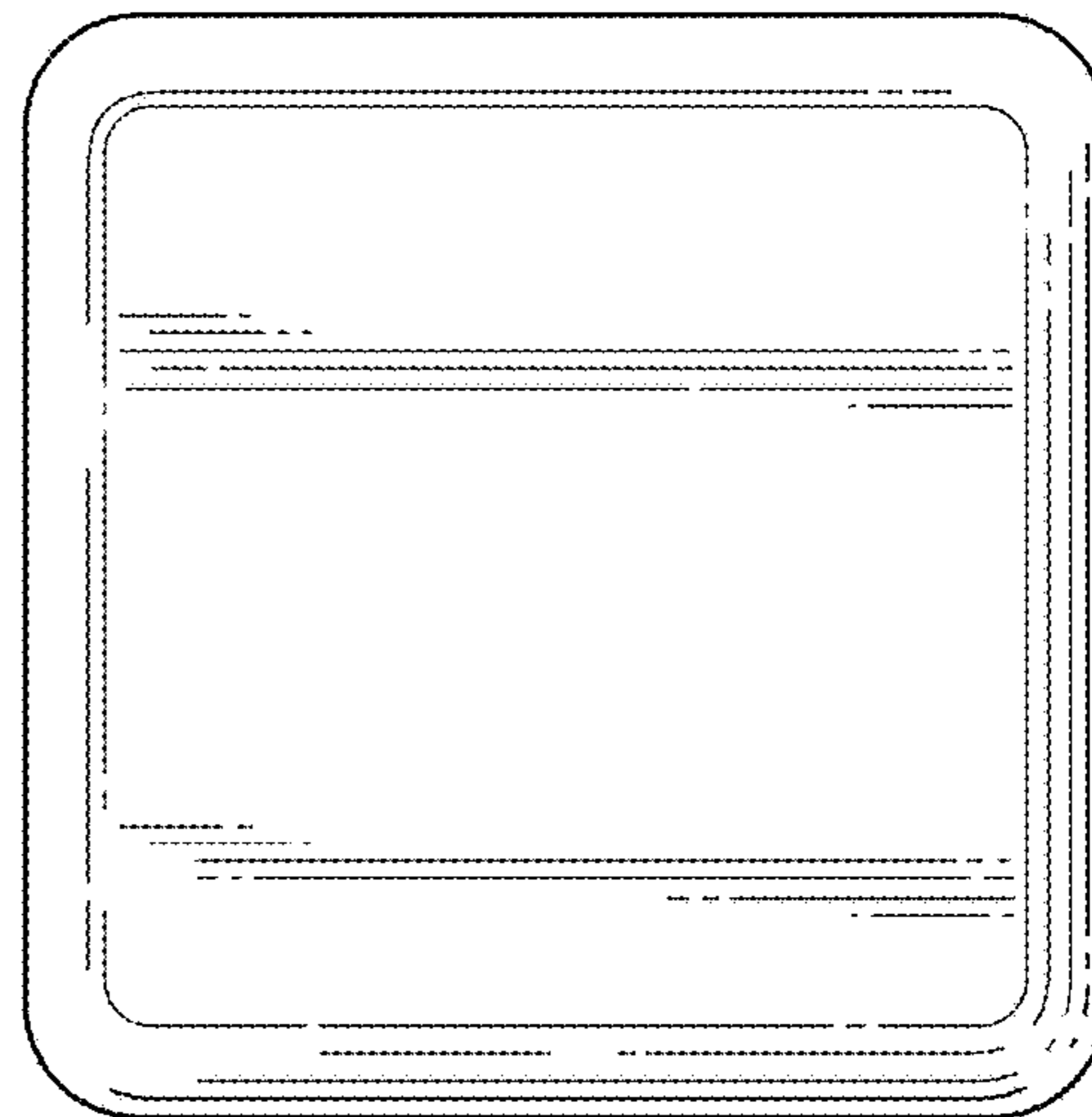




FIG. 8

