



US00D816419S

(12) **United States Design Patent** (10) **Patent No.:** **US D816,419 S**
Goodman et al. (45) **Date of Patent:** **** May 1, 2018**

- (54) **BANANA HOLDER**
- (71) Applicant: **Spectrum Diversified Designs, LLC**,
Streetsboro, OH (US)
- (72) Inventors: **Aaron Goodman**, Beachwood, OH
(US); **Courtney Wilson**, Chardon, OH
(US)
- (73) Assignee: **Spectrum Diversified Designs, LLC**,
Streetsboro, OH (US)

D339,266 S *	9/1993	Lockett	D7/323
D567,030 S *	4/2008	Goodman	D3/306
D578,762 S *	10/2008	Smith	D6/306
D591,561 S *	5/2009	Goodman	D7/601
D613,559 S *	4/2010	Goodman	D7/601
D616,253 S *	5/2010	Goodman	D7/601
D620,711 S *	8/2010	Hertaus	D3/306
D646,933 S *	10/2011	Goodman	D7/601
D671,371 S *	11/2012	Goodman	D7/601
D697,374 S *	1/2014	Goodman	D7/601
D698,203 S *	1/2014	Goodman	D7/601
D698,204 S *	1/2014	Goodman	D7/601

* cited by examiner

(**) Term: **15 Years**

(21) Appl. No.: **29/590,674**

(22) Filed: **Jan. 12, 2017**

(51) **LOC (11) Cl.** **07-01**

(52) **U.S. Cl.**
USPC **D7/601**

(58) **Field of Classification Search**
 USPC D7/601, 584-587, 704, 600.1-600.4;
 D6/676.5, 677.5, 678, 678.4, 680.3;
 D3/304, 306
 CPC ... B65D 7/20; B65D 7/26; B65D 7/14; B65D
 1/34; A47F 7/0071; A47F 7/00; A47F
 7/022; A47F 7/02; A47F 5/01; A47G
 23/06; A47G 19/02; A47G 19/06; A47L
 19/04; F16M 11/10; F16M 13/00; A47B
 75/00

See application file for complete search history.

(56) **References Cited**

U.S. PATENT DOCUMENTS

- 2,732,096 A * 1/1956 Sicilano B65D 25/32
217/125
- D274,880 S * 7/1984 Bentson D6/708.16

Primary Examiner — Terry A Wallace
 (74) *Attorney, Agent, or Firm* — Tucker Ellis LLP;
 Patrick F. Clunk

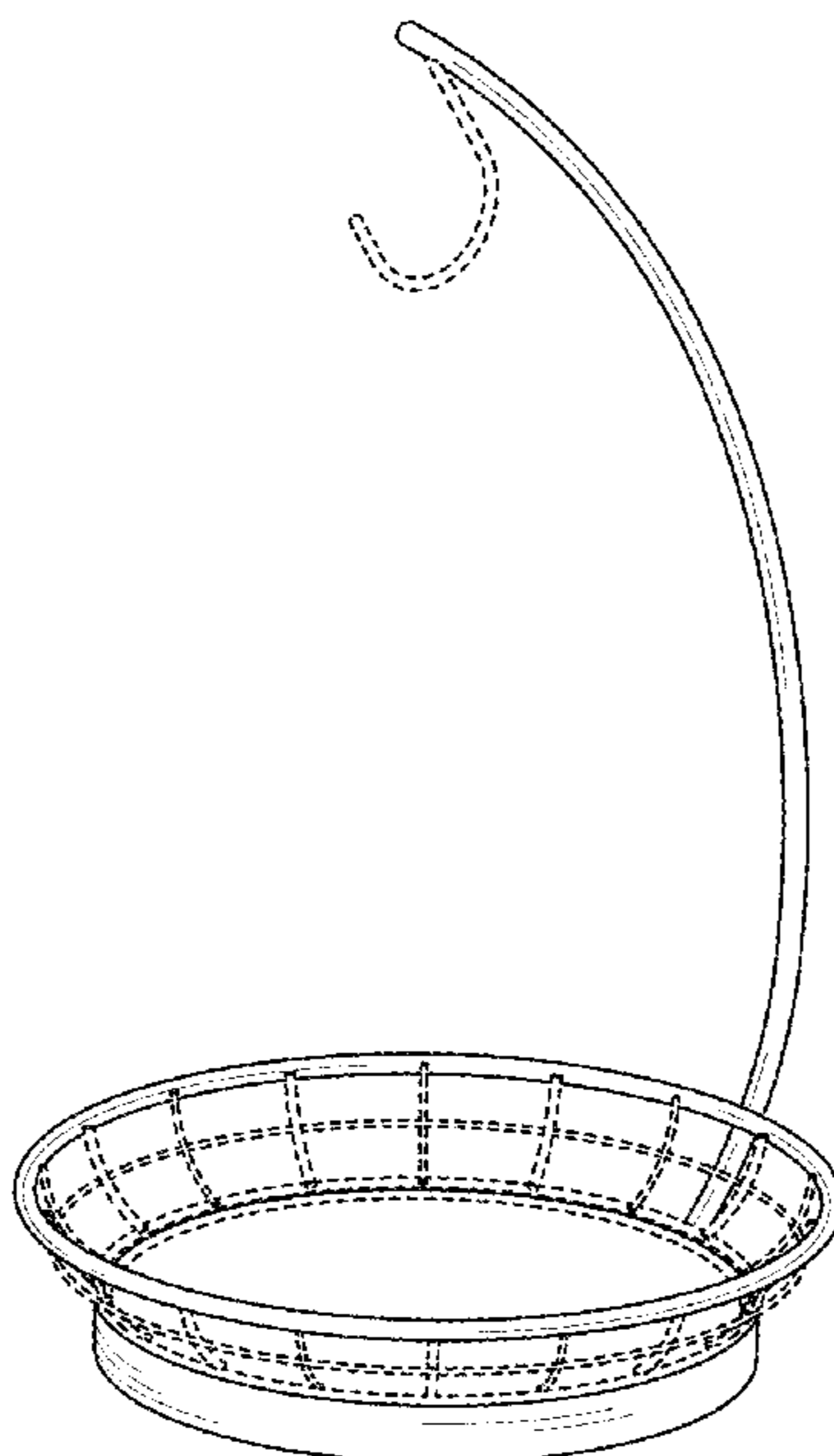
(57) **CLAIM**

The ornamental design for a banana holder, as shown and described.

DESCRIPTION

FIG. 1 is a perspective view of a banana holder showing our new design.
 FIG. 2 a left side view thereof.
 FIG. 3 is a right side view thereof.
 FIG. 4 is a rear view thereof.
 FIG. 5 is a top view thereof; and,
 FIG. 6 is a bottom view thereof.
 The broken lines shown herein are for illustrative purposes only and form no part of the claimed design.

1 Claim, 4 Drawing Sheets



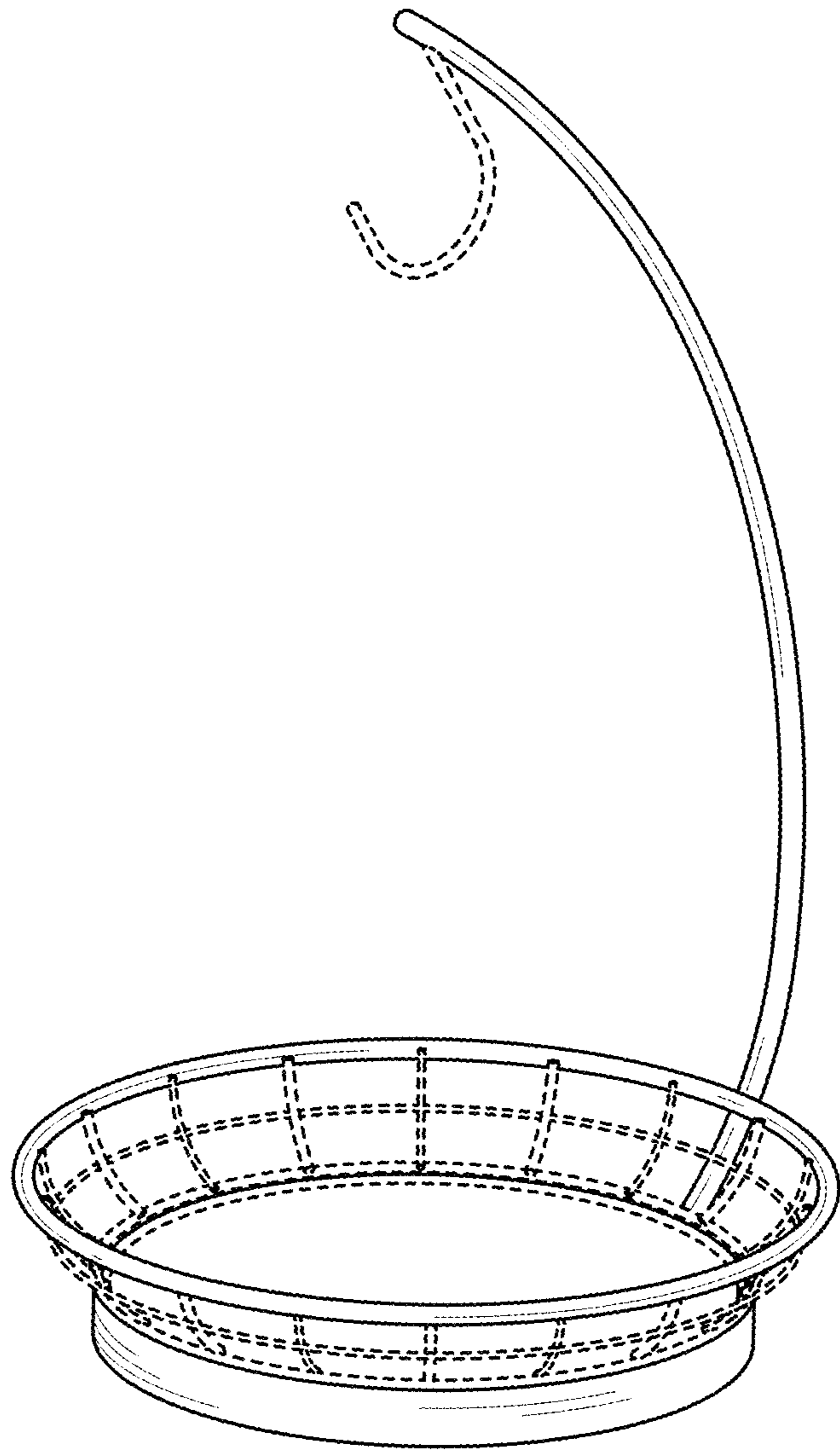


FIG. 1

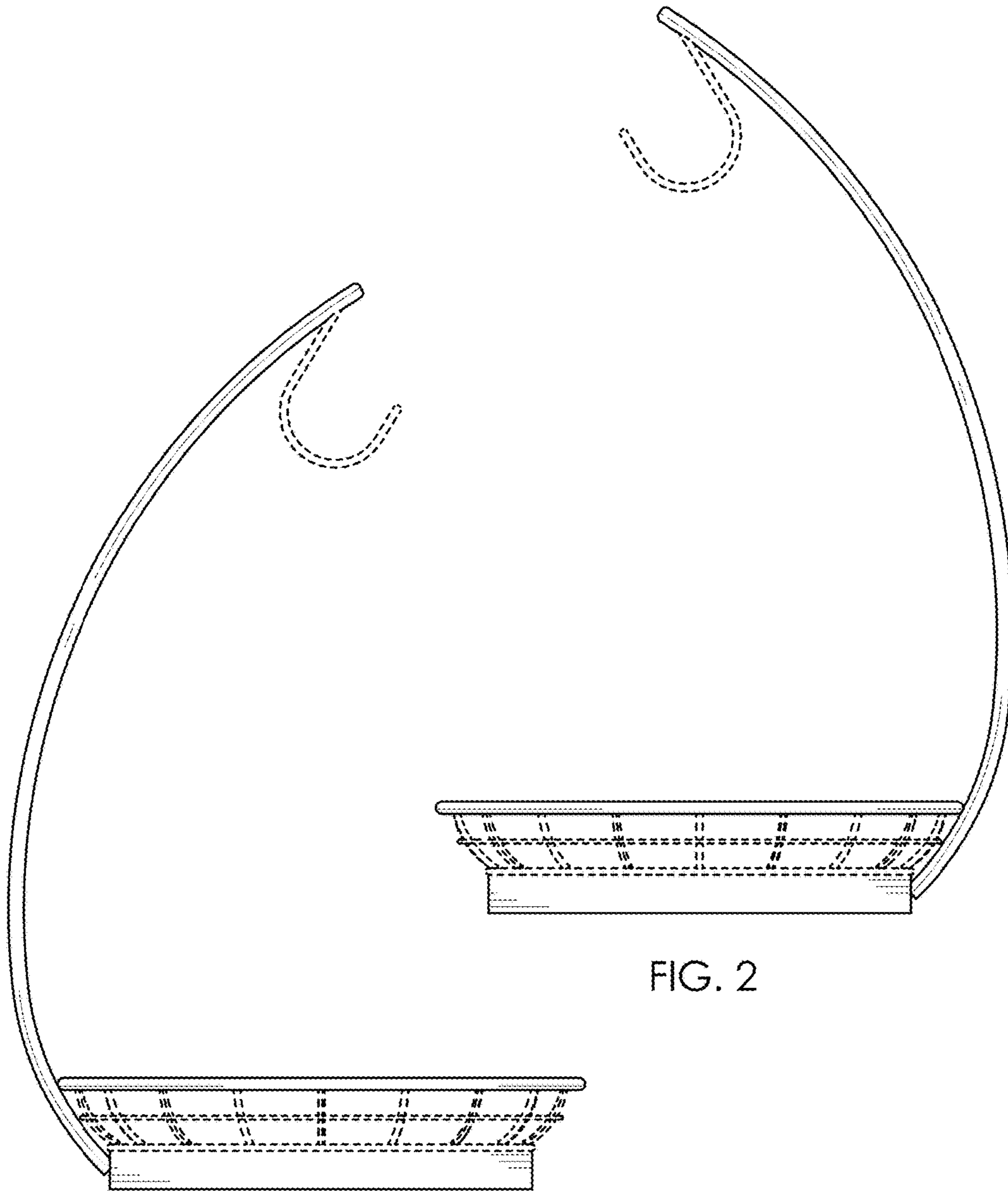


FIG. 2

FIG. 3

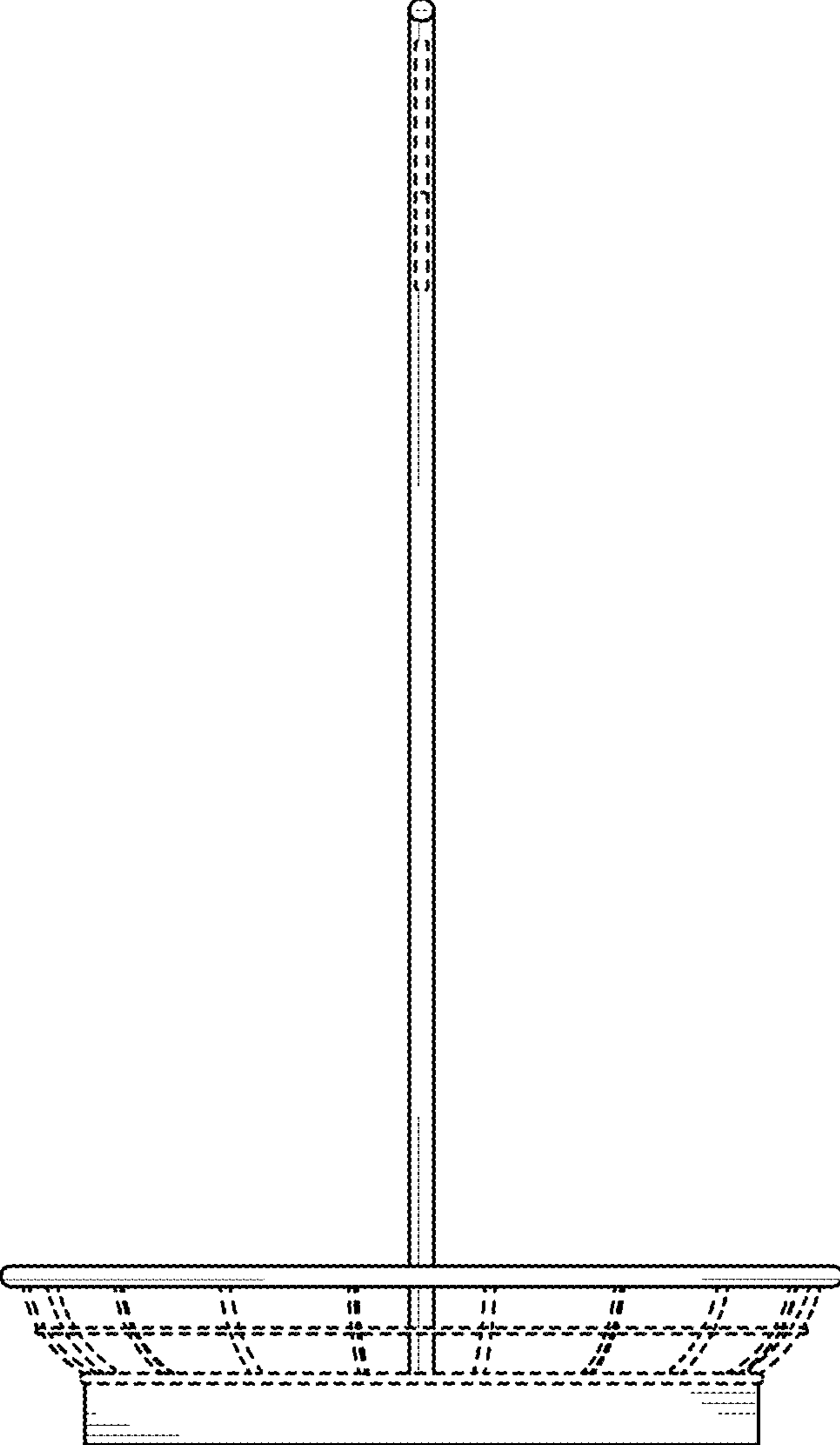


FIG. 4

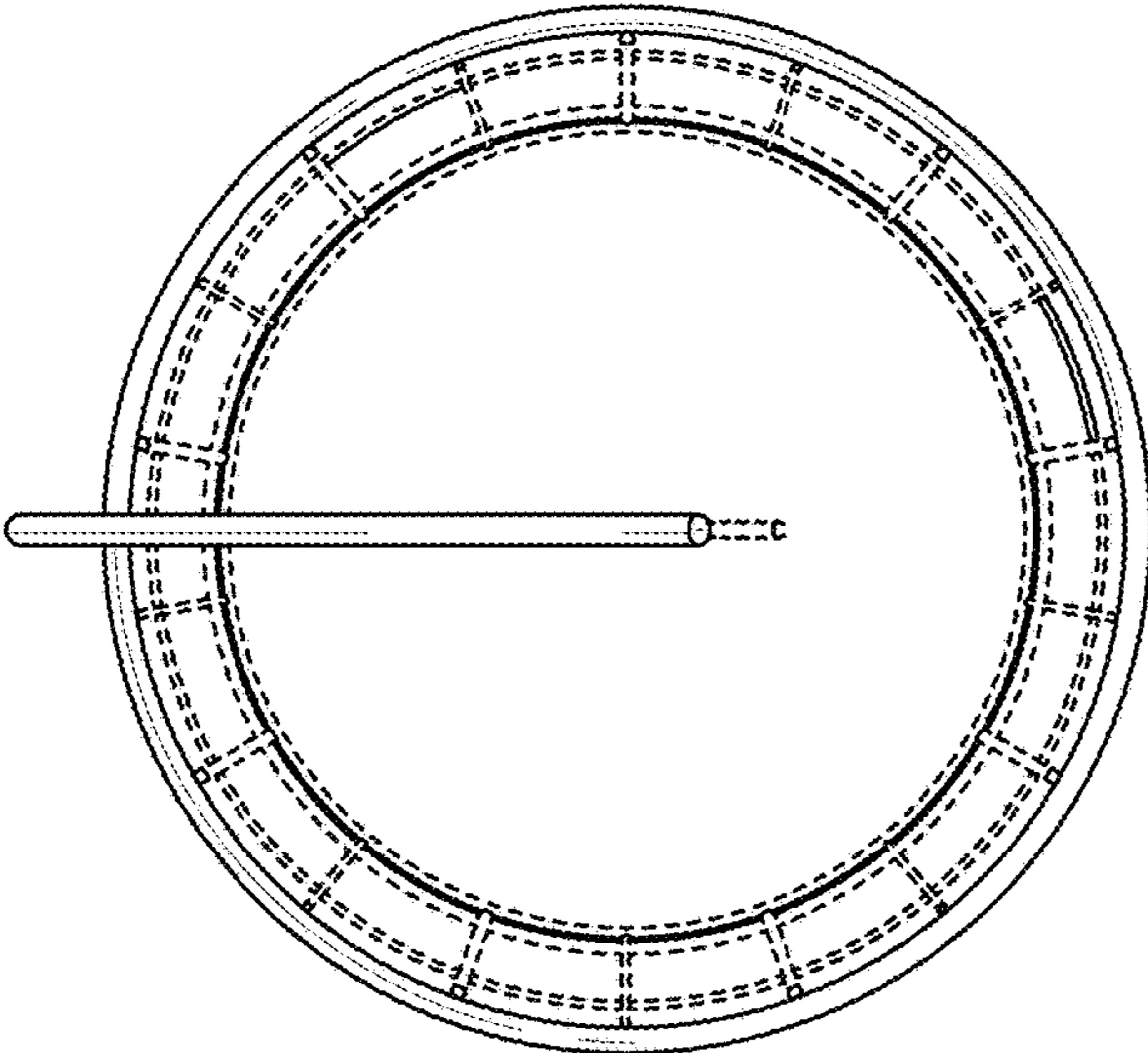


FIG. 5

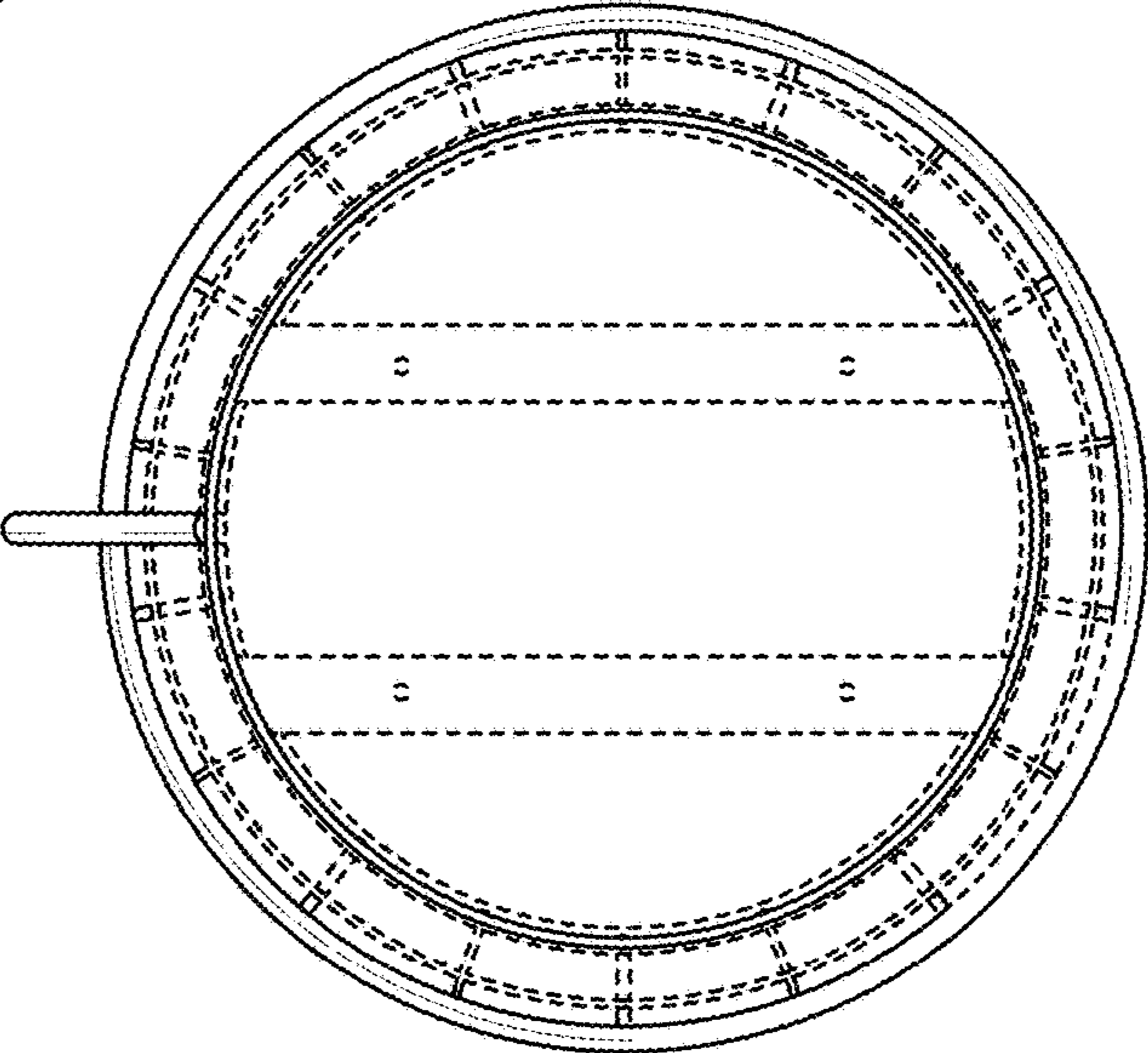


FIG. 6