



US00D816418S

(12) **United States Design Patent**
Moldovan et al.

(10) **Patent No.:** **US D816,418 S**

(45) **Date of Patent:** **** May 1, 2018**

- (54) **CONTAINER FOR LIQUIDS**
- (71) Applicants: **Thomas V. Moldovan**, New Rochelle, NY (US); **Christina M. Giello**, New Rochelle, NY (US)
- (72) Inventors: **Thomas V. Moldovan**, New Rochelle, NY (US); **Christina M. Giello**, New Rochelle, NY (US)
- (**) Term: **15 Years**
- (21) Appl. No.: **29/591,496**
- (22) Filed: **Jan. 20, 2017**
- (51) **LOC (11) Cl.** **07-06**
- (52) **U.S. Cl.**
USPC **D7/598**
- (58) **Field of Classification Search**
USPC D7/316-319, 312, 598, 600, 322, 321, D7/630, 601, 602, 538-542, 612, 608, D7/300; D23/209; D9/424-432, 445, D9/500, 501, 503, 504, 516, 549, 575
CPC A47J 41/0027; A47J 31/50; A47J 45/0077; A47J 31/053; A47G 19/22
See application file for complete search history.

(56) **References Cited**

U.S. PATENT DOCUMENTS

D193,523 S *	9/1962	Douglas	D7/317
D195,685 S *	7/1963	Cornelius	D7/317
3,174,424 A *	3/1965	Serio	A47J 31/053 210/474
D213,577 S *	3/1969	Douglas	D7/317
D215,227 S *	9/1969	Beckman	D7/317
D217,734 S *	6/1970	Abramson et al.	D7/317
D221,796 S *	9/1971	Greger	D7/317
D223,465 S *	4/1972	De Puy	D7/317
D232,411 S *	8/1974	Douglas et al.	D7/317
D236,178 S *	8/1975	Younge	D7/317

D239,687 S *	4/1976	Breger et al.	D7/317
D293,538 S *	1/1988	Zimmermann	D7/317
D315,471 S *	3/1991	Van Deursen	D7/317
D323,951 S *	2/1992	Inoue	D7/317
D326,978 S *	6/1992	Zimmermann	D7/316
D375,016 S *	10/1996	Ullmann	D7/318
D414,071 S *	9/1999	Mork	D7/318
5,988,457 A *	11/1999	Andrew	A47G 19/12 222/475.1
D453,279 S *	2/2002	Huang	D7/317
D454,468 S *	3/2002	Mano	D7/317
D482,936 S *	12/2003	Miller	D7/629
D679,953 S *	4/2013	Peterson	D7/598
D685,227 S *	7/2013	Boonprasop	D7/538
D686,864 S *	7/2013	Poul	D7/317
D717,092 S *	11/2014	Kotani	D7/317
D752,377 S *	3/2016	Maitland	D7/317
D753,948 S *	4/2016	Kestenbaum	D7/317
D789,725 S *	6/2017	Kestenbaum	D7/317

(Continued)

Primary Examiner — Shannon Morgan

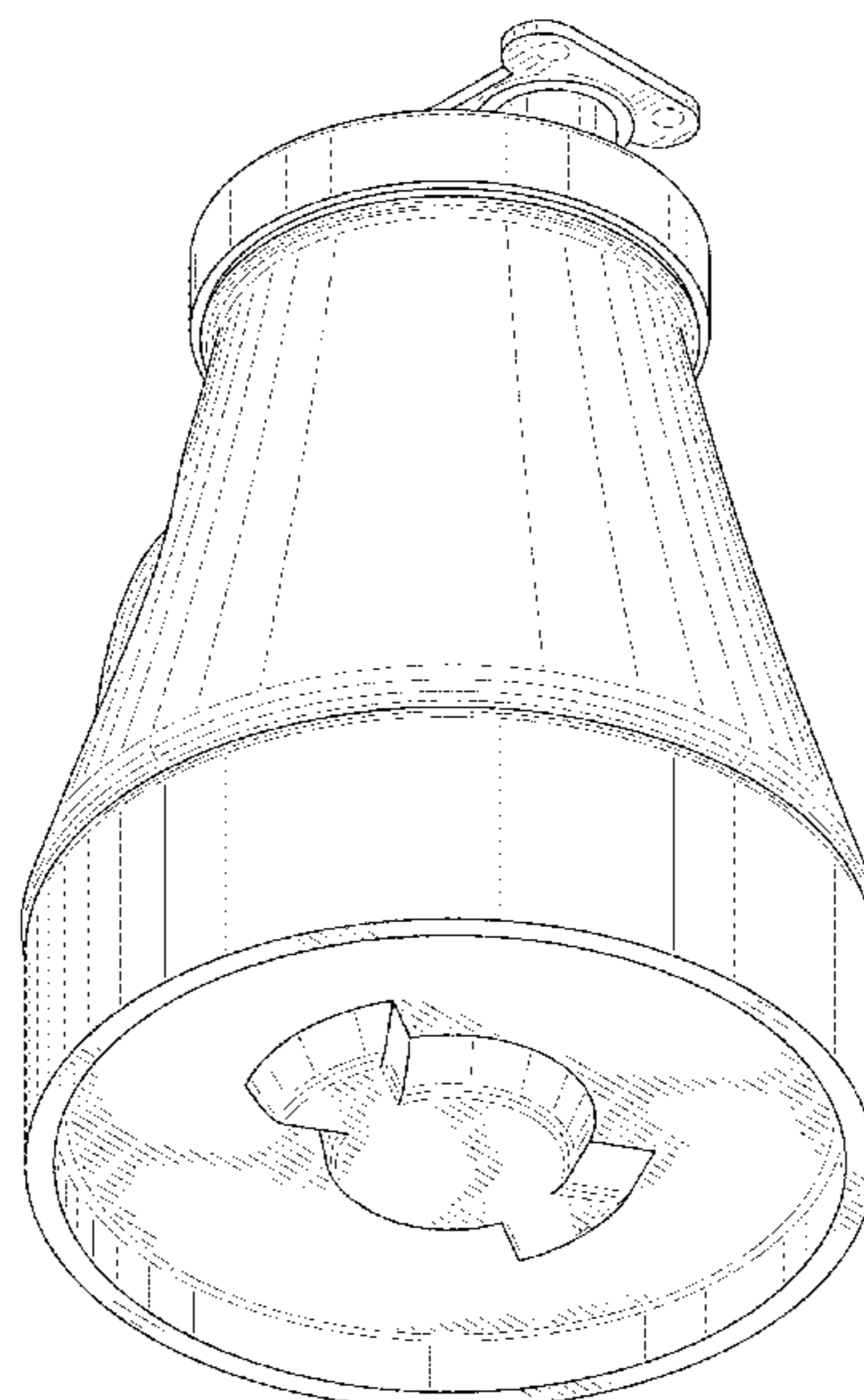
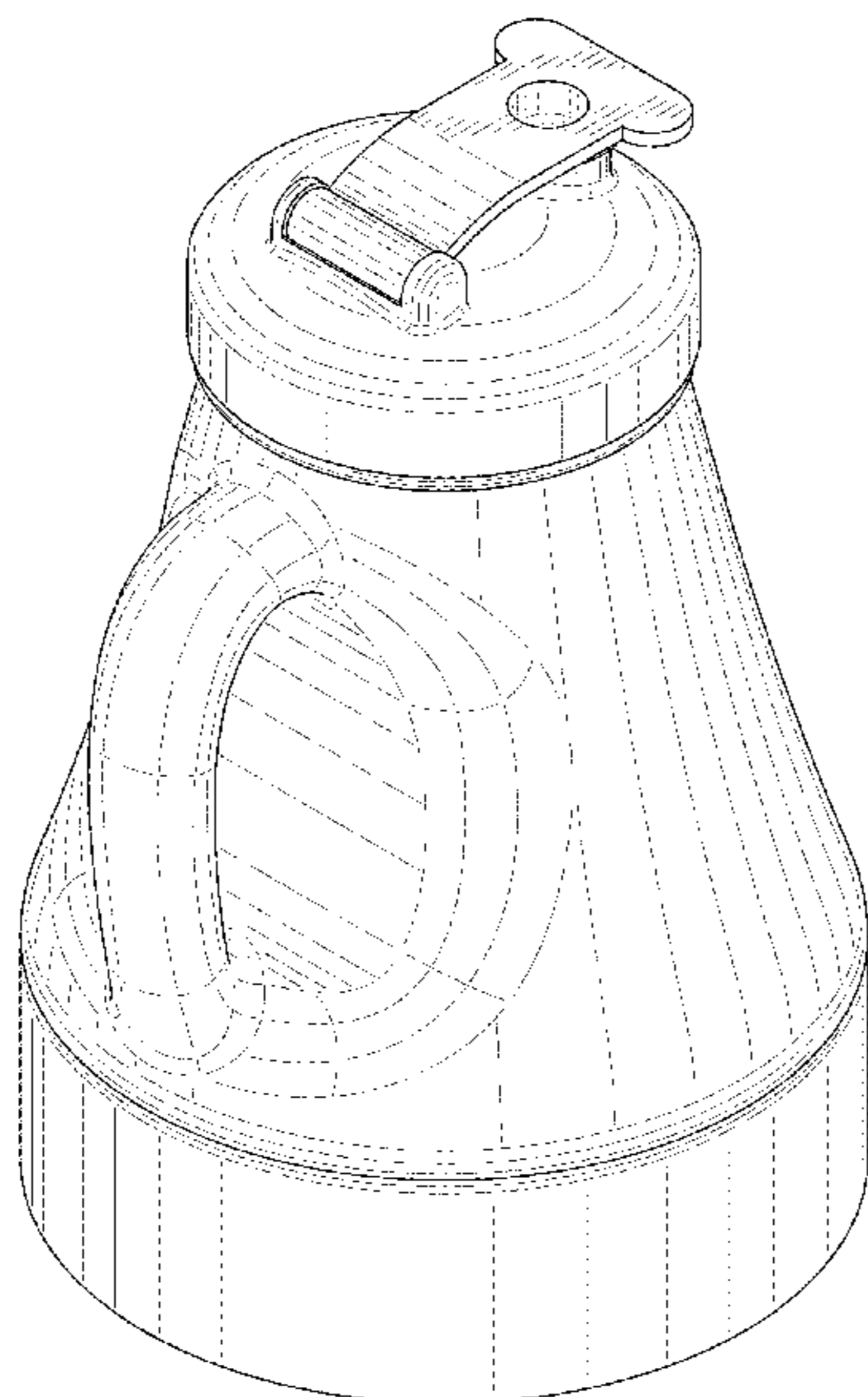
(57) **CLAIM**

The ornamental design for a container for liquids, as shown and described.

DESCRIPTION

FIG. 1 is a perspective view of a container for liquids showing our new design;
 FIG. 2 is a bottom perspective view of the container for liquids thereof;
 FIG. 3 is a side view of the container for liquids thereof;
 FIG. 4 is a rear view of the container for liquids thereof;
 FIG. 5 is a front view of the container for liquids thereof;
 FIG. 6 is a top plan view of the container for liquids thereof;
 and,
 FIG. 7 is a bottom plan view of the container for liquids thereof.
 The broken lines in FIG. 2 depict portions of the container for liquids that form no part of the claimed design.

1 Claim, 6 Drawing Sheets



(56)

References Cited

U.S. PATENT DOCUMENTS

D796,887 S * 9/2017 Horimoto D7/319
2012/0293332 A1* 11/2012 Rosenfeld A47J 41/0027
340/584
2015/0201771 A1* 7/2015 Elsadon A47J 41/0027
222/153.14

* cited by examiner

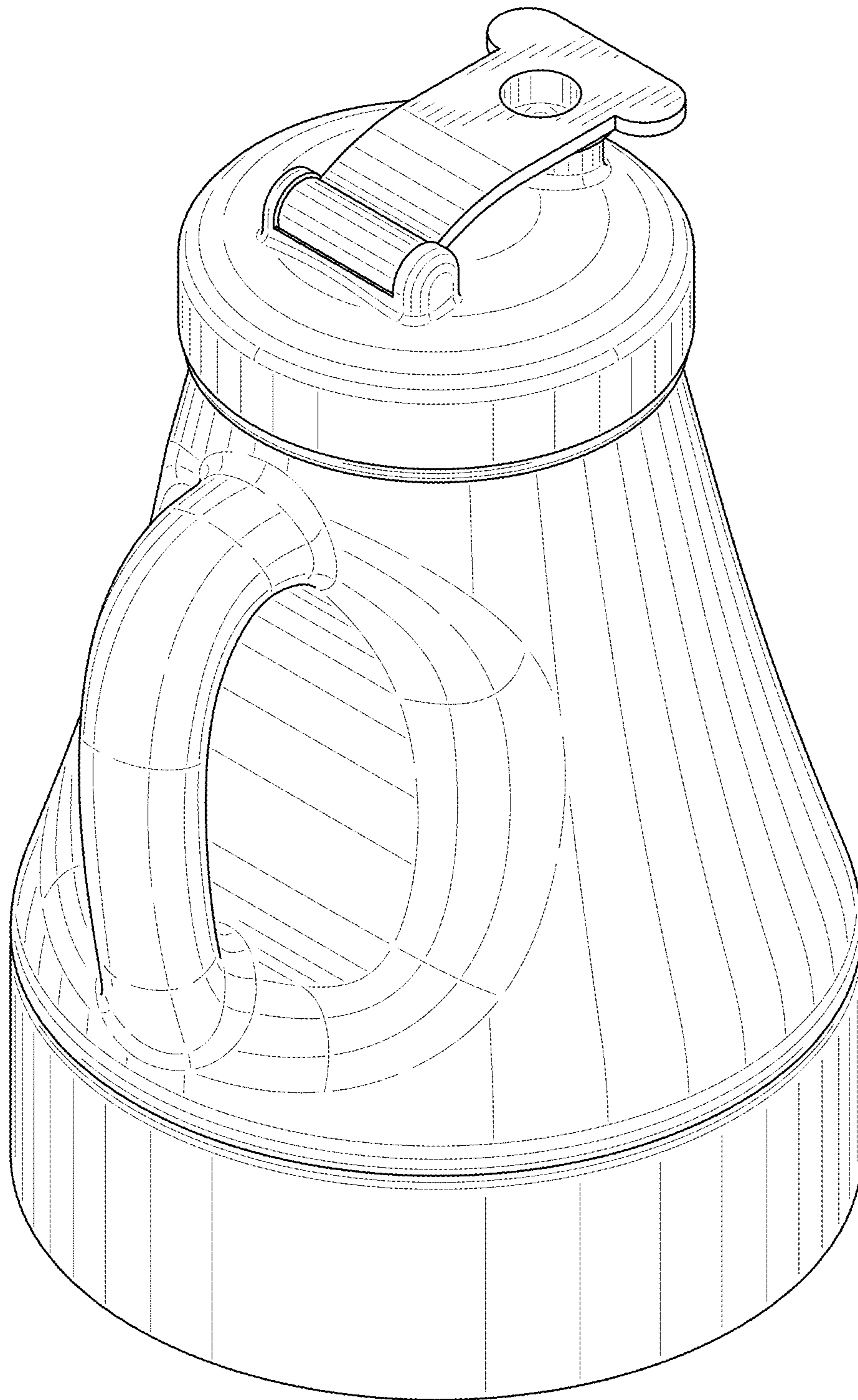


FIG. 1

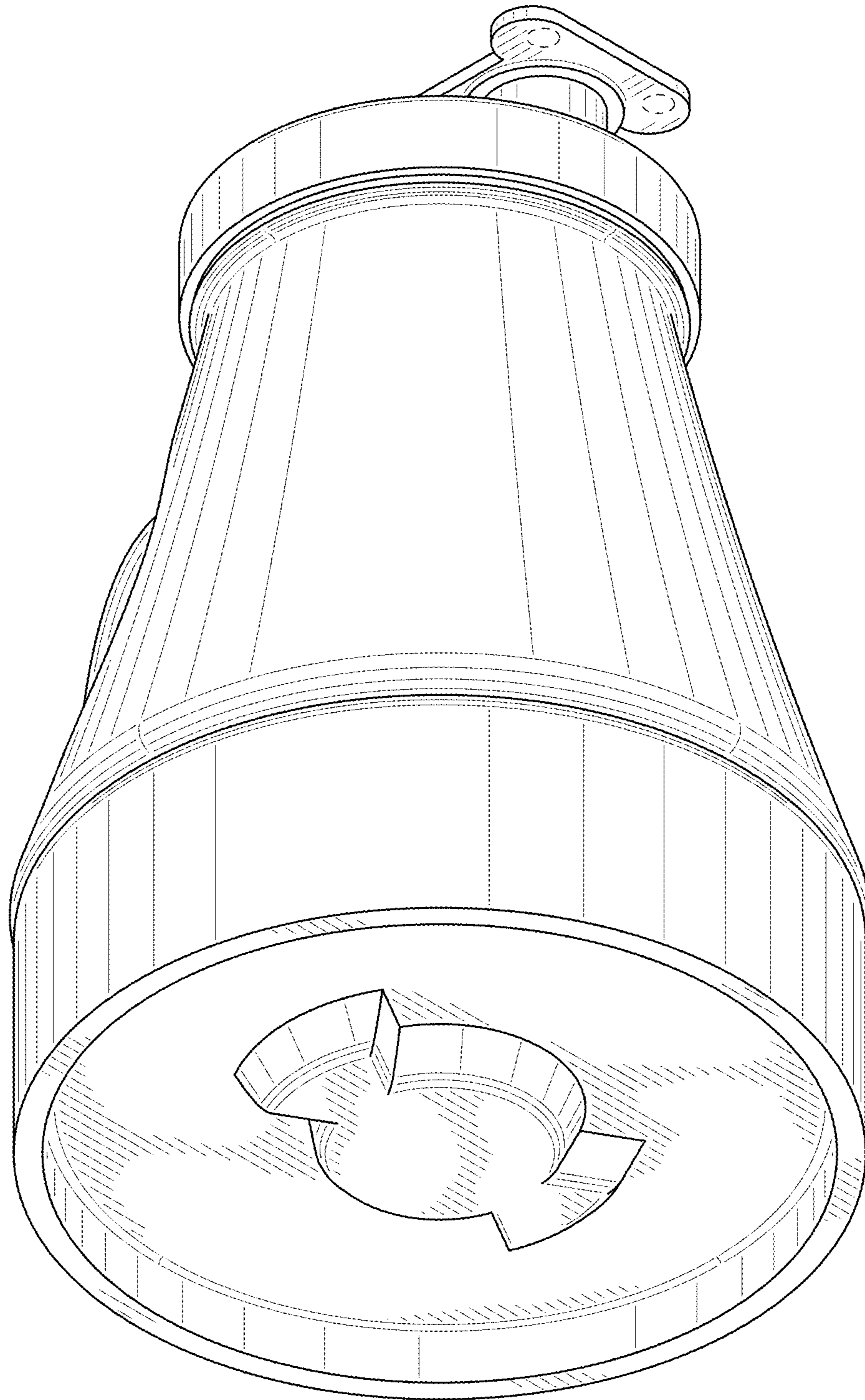


FIG. 2

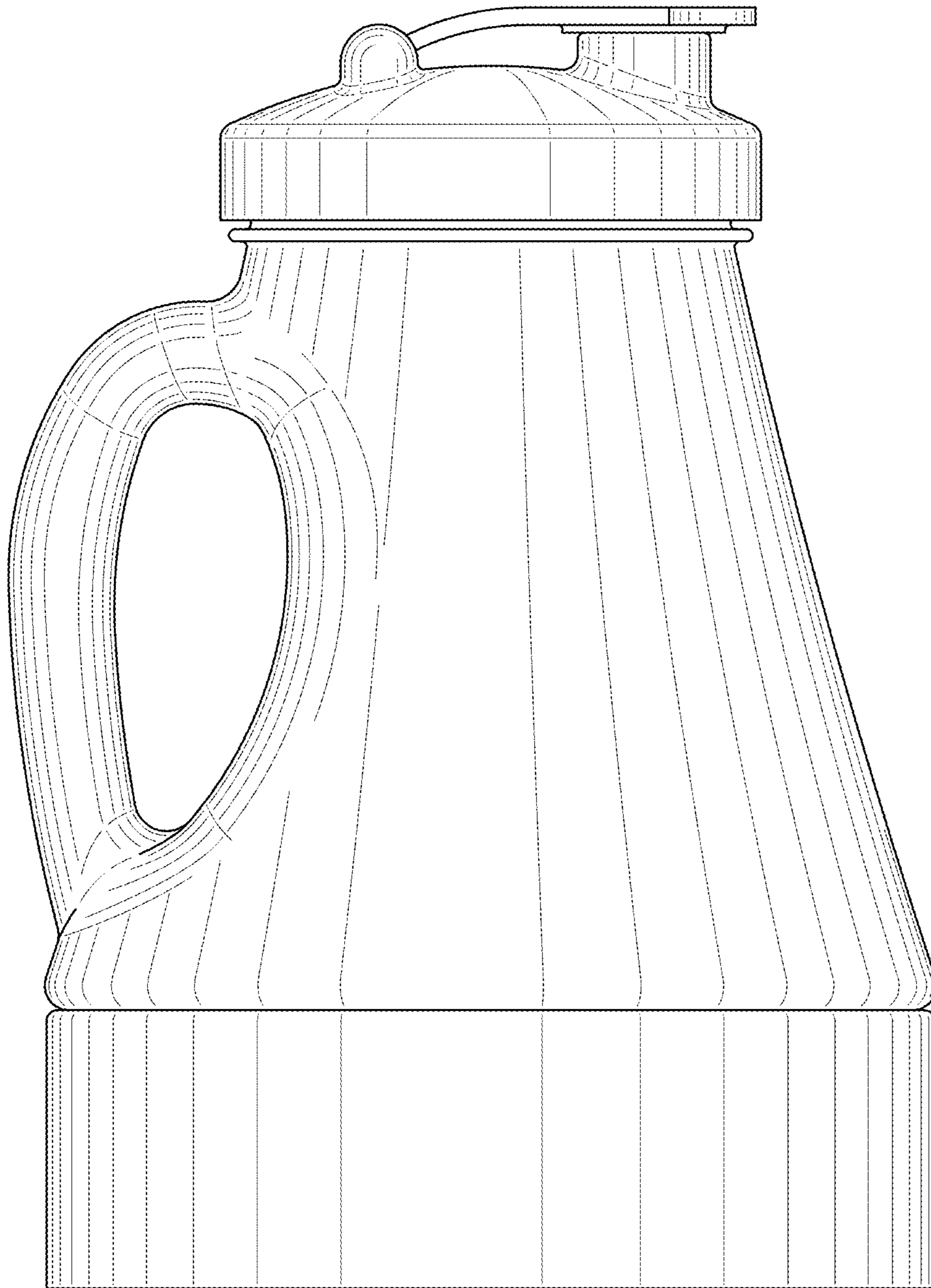


FIG. 3

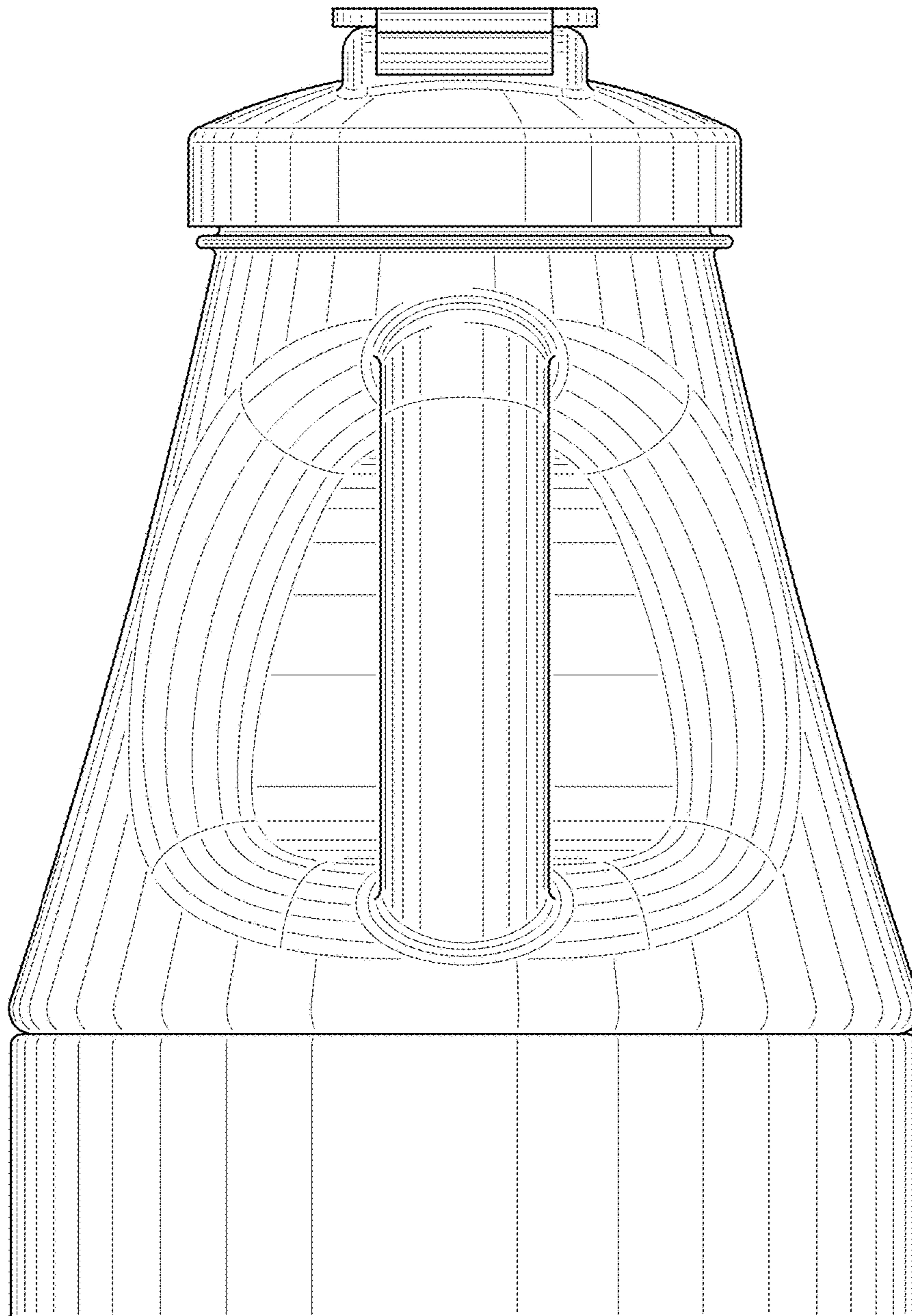


FIG. 4

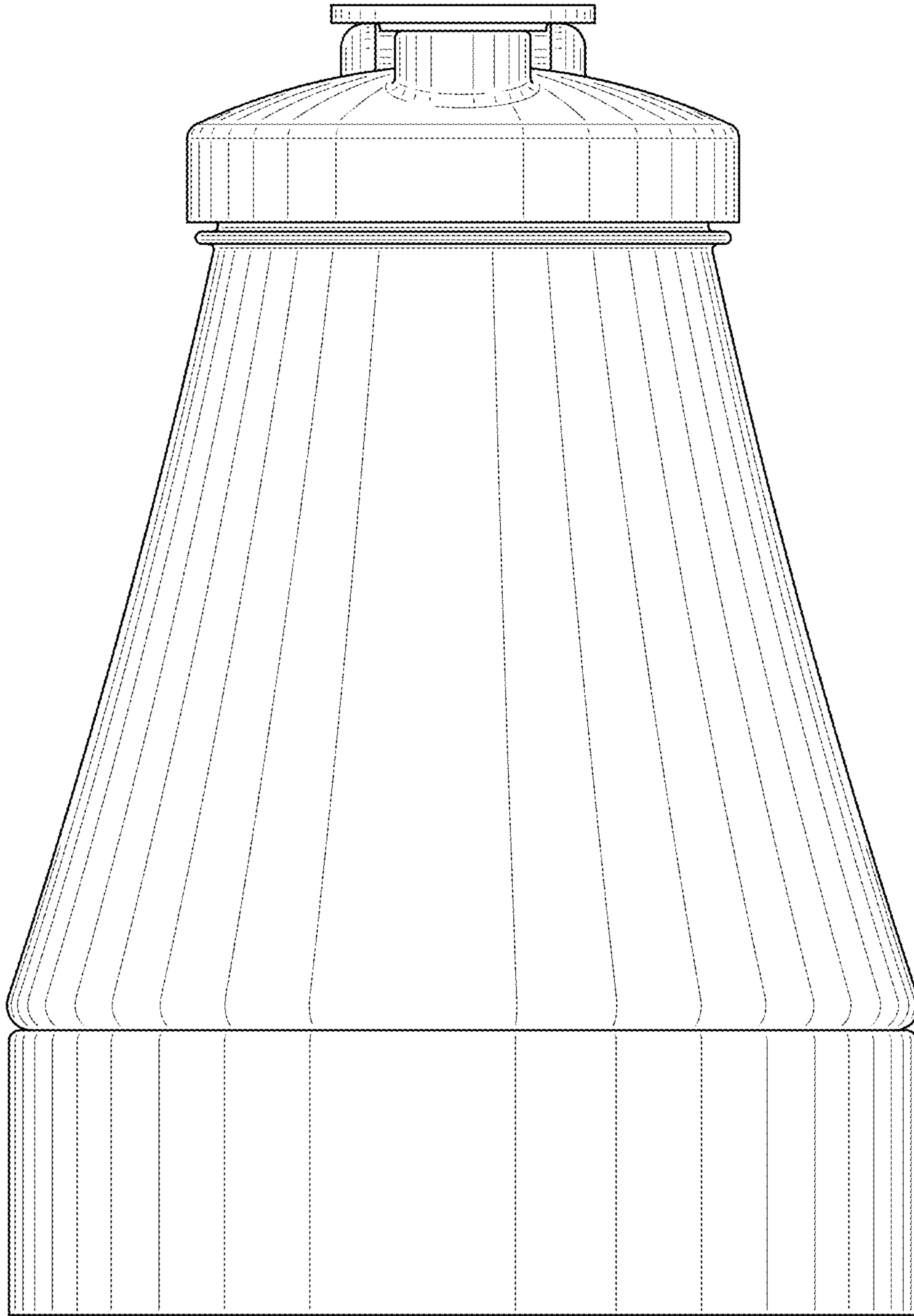


FIG. 5

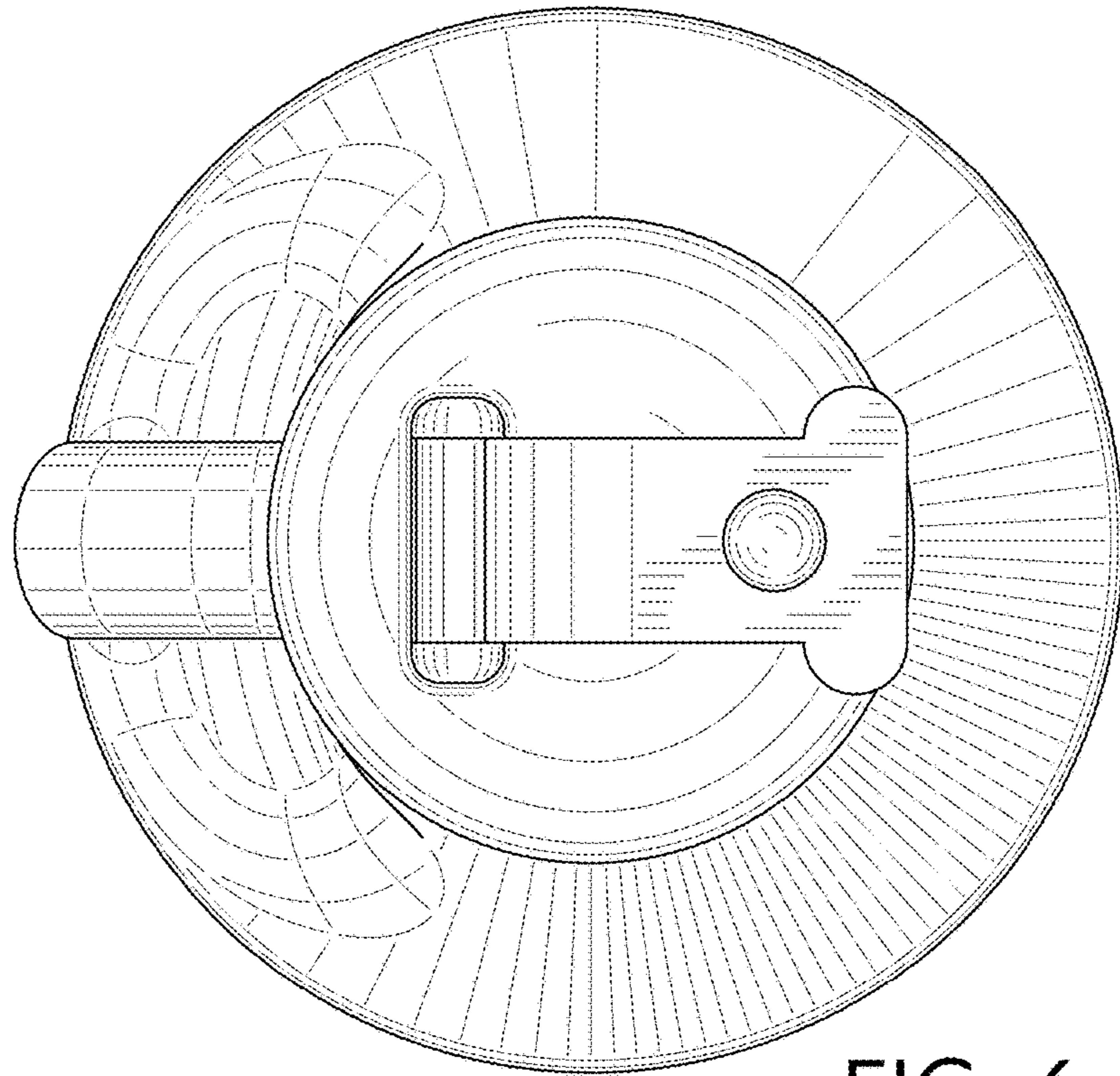


FIG. 6

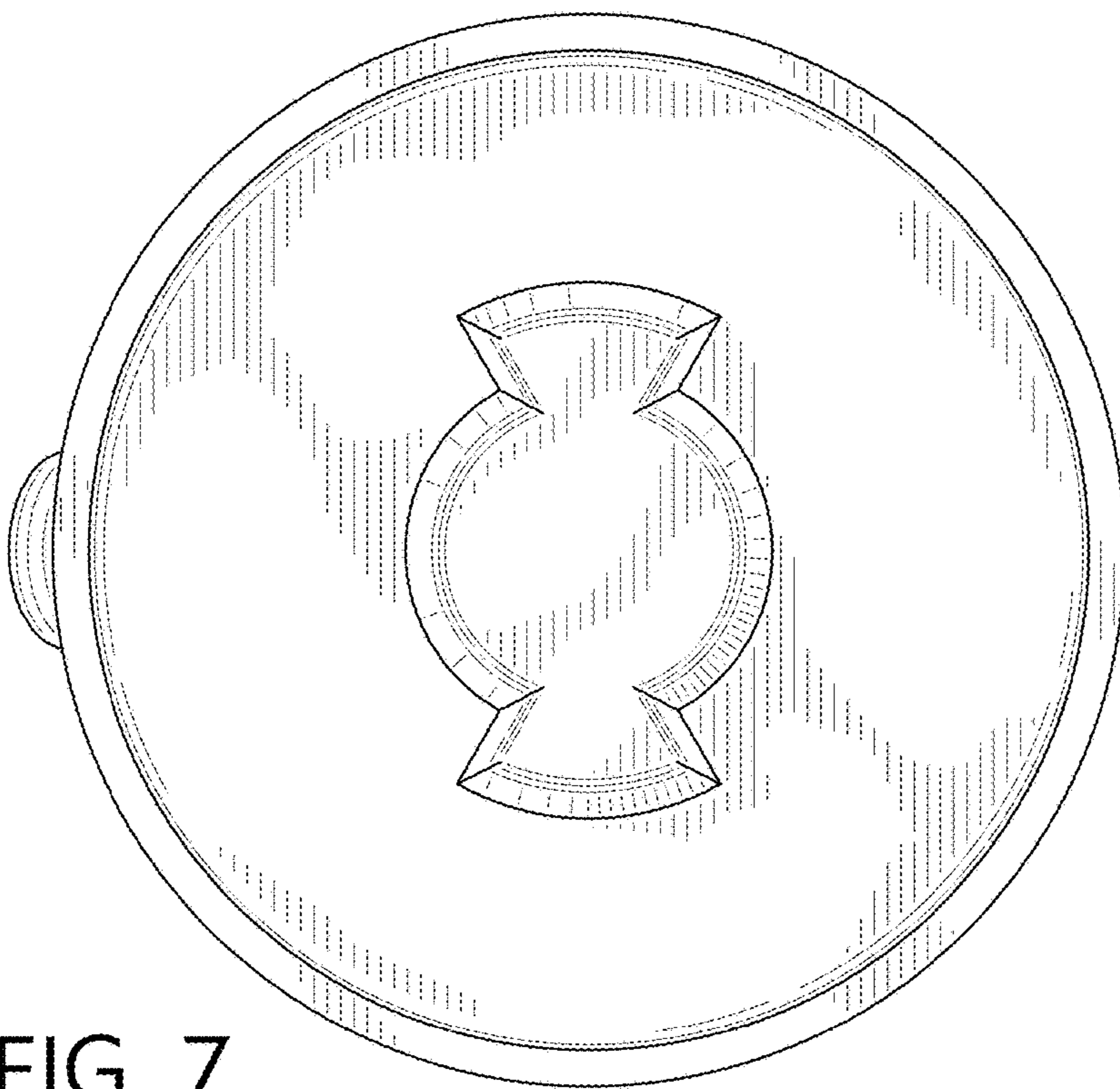


FIG. 7