



US00D816417S

(12) **United States Design Patent** (10) **Patent No.:** **US D816,417 S**  
**Hutton et al.** (45) **Date of Patent:** **\*\* May 1, 2018**

(54) **PLATE**  
(71) Applicant: **Syracuse China Company**, Toledo, OH (US)  
(72) Inventors: **Allen J. Hutton**, Ottawa Hills, OH (US); **Tina E. Davis**, Swanton, OH (US)  
(73) Assignee: **SYRACUSE CHINA COMPANY**, Toledo, OH (US)  
(\*\*) Term: **15 Years**

D117,858 S 11/1939 Thorley  
D124,884 S 1/1941 Wickerham  
2,323,356 A \* 7/1943 Rosay ..... A47G 19/03  
220/574.3  
D137,118 S 1/1944 Kleinberg  
D144,152 S 3/1946 Bach  
D154,216 S \* 6/1949 Reifsnnyder ..... D7/562  
2,533,853 A 12/1950 Tinder  
2,795,942 A 6/1957 Harris  
D181,345 S 11/1957 Dreitzer  
D187,156 S \* 2/1960 Masuda et al. .... D7/585  
D207,732 S 5/1967 Benes  
D227,137 S 6/1973 Dolby et al.  
D239,686 S \* 4/1976 Andersson ..... 220/574  
D245,218 S 8/1977 Jensen  
(Continued)

(21) Appl. No.: **29/604,326**  
(22) Filed: **May 17, 2017**  
(51) **LOC (11) Cl.** ..... **07-01**  
(52) **U.S. Cl.**  
USPC ..... **D7/565**  
(58) **Field of Classification Search**  
USPC ..... D7/584, 585, 500, 565, 545, 553.2, 560,  
D7/544; D3/306  
CPC ..... A47G 19/03; A47G 19/00  
See application file for complete search history.

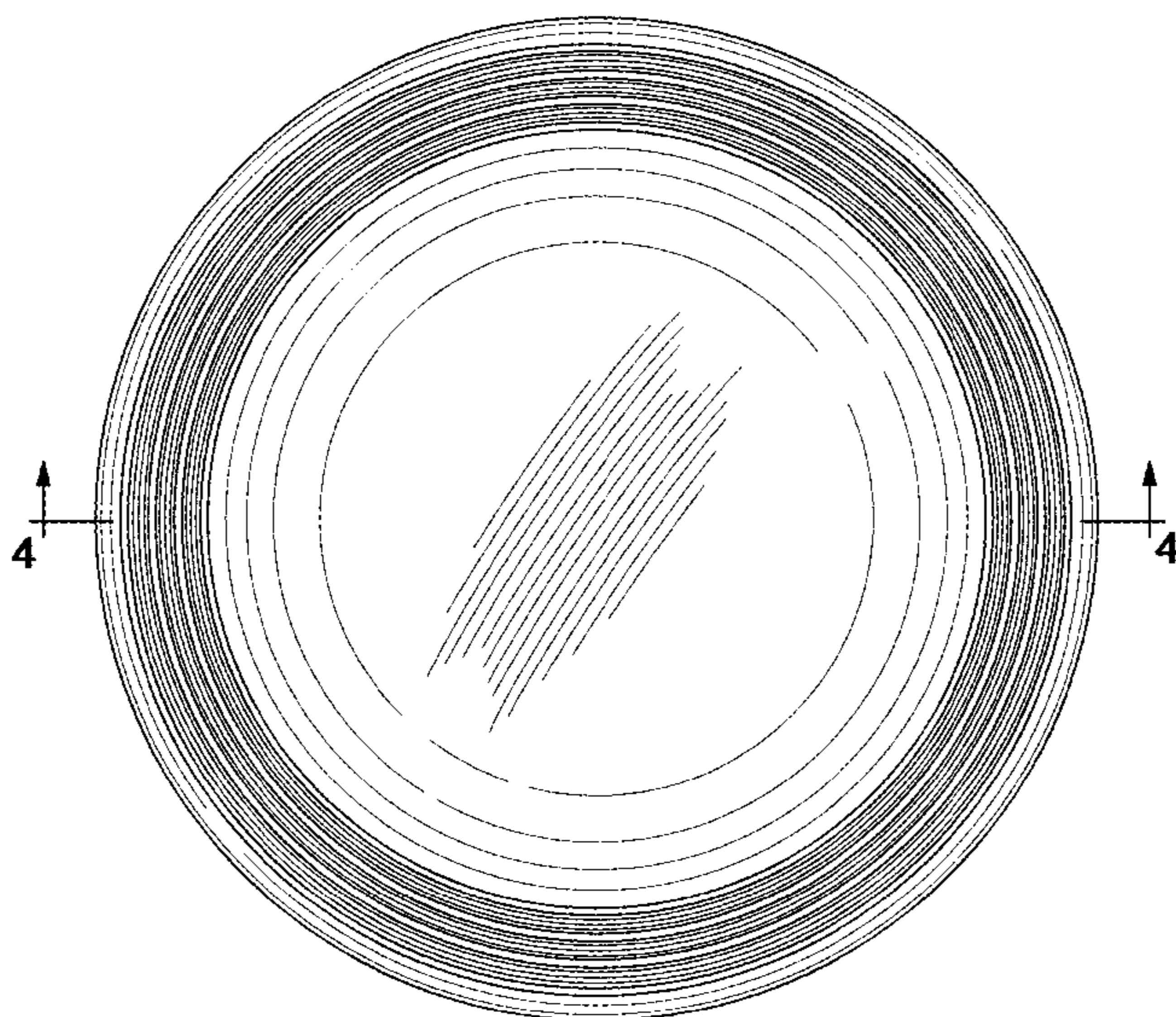
(56) **References Cited**  
**U.S. PATENT DOCUMENTS**  
299,266 A 5/1884 Richardson  
781,709 A 2/1905 Benson  
D44,774 S 10/1913 Sinclaire  
1,251,549 A 1/1918 McDonald et al.  
D61,298 S \* 8/1922 Goodwin ..... D7/585  
D81,514 S 7/1930 Weiss  
D87,981 S 10/1932 Schnepf  
D88,102 S 10/1932 McCartney  
D95,246 S 4/1935 Guild  
D95,867 S 6/1935 Sebring  
D101,983 S 11/1936 Duncan et al.  
D102,808 S \* 1/1937 Van Winkle et al. .... D7/585  
2,178,274 A 10/1939 Ratner

**OTHER PUBLICATIONS**  
Oneida Food Services, Botticelli, www.foodservice.oneida.com, at least as early as Apr. 13, 2016.  
(Continued)  
*Primary Examiner* — Cynthia R Underwood  
(74) *Attorney, Agent, or Firm* — MacMillan, Sobanski & Todd, LLC

(57) **CLAIM**  
The ornamental design for a plate, as shown and described.

**DESCRIPTION**  
FIG. 1 is a top plan view of a plate showing our new design; FIG. 2 is a front elevational view thereof; the rear, right side and left side elevational views being identical; FIG. 3 is a bottom plan view thereof; FIG. 4 is a cross-sectional view taken along line 4-4 of FIG. 1; and, FIG. 5 is a broken away and enlarged view taken from line 5-5 in FIG. 4.

**1 Claim, 3 Drawing Sheets**



(56)

References Cited

U.S. PATENT DOCUMENTS

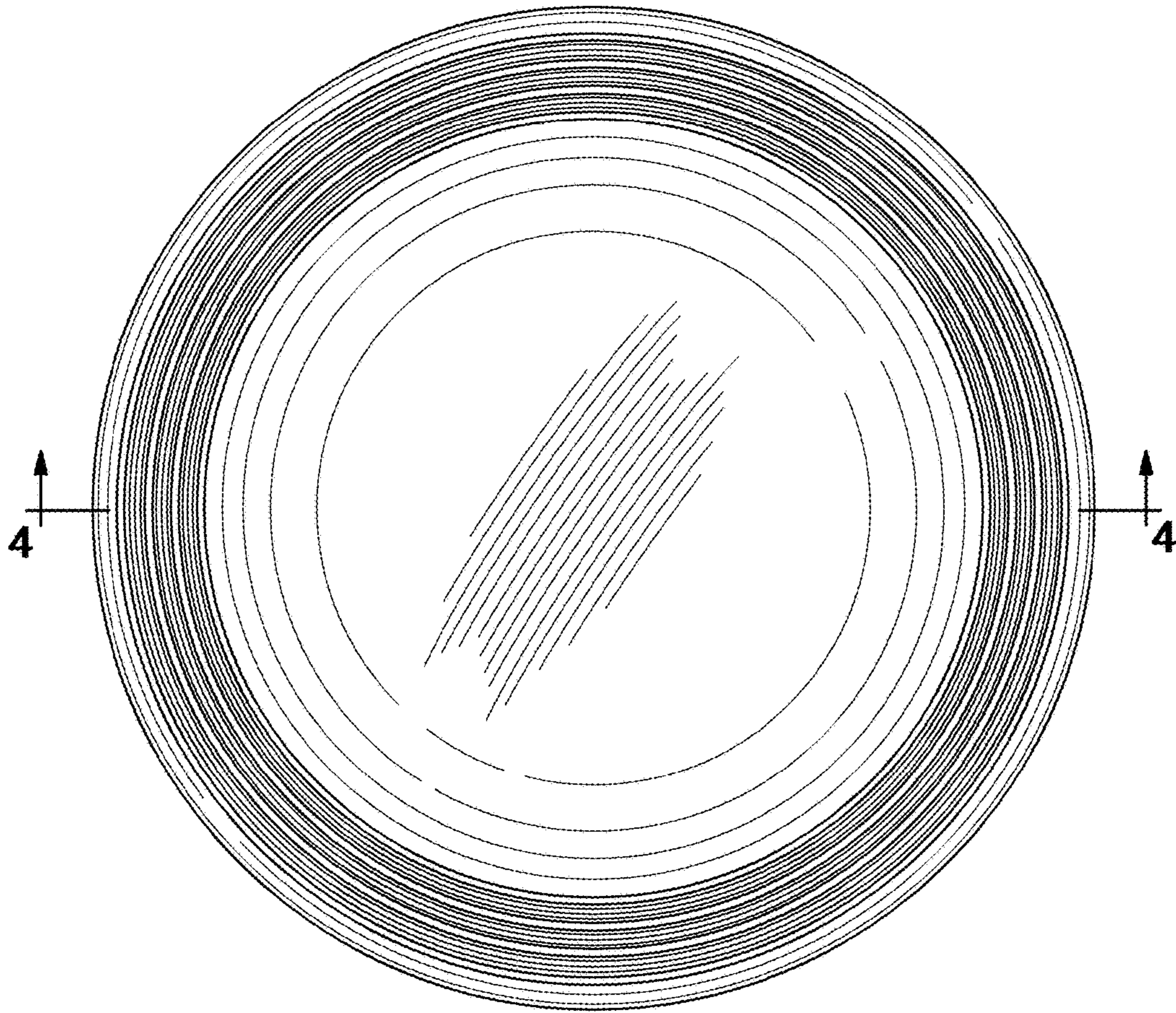
D251,347 S 3/1979 Andersen  
 D251,348 S 3/1979 Andersen  
 D288,048 S 2/1987 Unger  
 D288,051 S 2/1987 Unger  
 D312,941 S 12/1990 Zivin  
 D316,211 S 4/1991 Durand  
 D327,394 S 6/1992 Scherer  
 5,158,202 A 10/1992 Kosonen et al.  
 D345,893 S 4/1994 Jaworski  
 D349,019 S 7/1994 Stinson  
 5,423,452 A 6/1995 Tardif  
 D373,050 S 8/1996 Brewer et al.  
 D374,153 S \* 10/1996 Moreno-Montemayor ... D7/566  
 D409,447 S 5/1999 Henry  
 D423,291 S 4/2000 Reimer  
 D442,019 S 5/2001 Wyche  
 D445,304 S 7/2001 Littlejohn et al.  
 D445,632 S 7/2001 Bradley  
 D463,955 S 10/2002 Queensberry et al.  
 D478,252 S 8/2003 Wellner  
 D481,261 S \* 10/2003 Queensberry ..... D7/554.2  
 D501,762 S \* 2/2005 Wolhender ..... D7/566  
 D504,282 S \* 4/2005 McMullin ..... D7/543  
 D505,834 S \* 6/2005 Wellner ..... D7/584

D512,876 S \* 12/2005 Stilz ..... D7/587  
 D518,334 S \* 4/2006 Wolhender ..... D7/396.5  
 D524,605 S \* 7/2006 Czebiniak ..... D7/565  
 D525,832 S \* 8/2006 Hayes ..... D7/554.2  
 D526,162 S \* 8/2006 Czebiniak ..... D7/545  
 D527,584 S \* 9/2006 Hayes ..... D7/545  
 D563,729 S \* 3/2008 Eide ..... D7/584  
 D577,963 S \* 10/2008 Eide ..... D7/585  
 D595,542 S \* 7/2009 Dewey ..... D7/566  
 D702,504 S \* 4/2014 Tibbets ..... D7/566  
 D711,191 S \* 8/2014 Lee ..... D7/388  
 D722,251 S \* 2/2015 Morga ..... D7/500  
 9,555,594 B2 \* 1/2017 Littlejohn ..... A47G 19/03

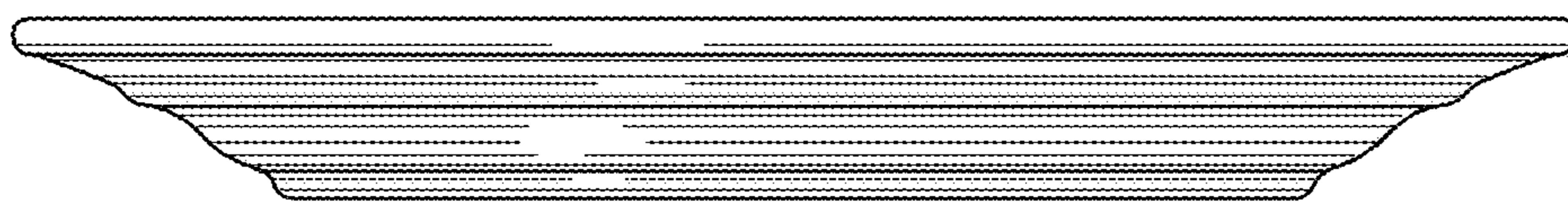
OTHER PUBLICATIONS

Vertex China, Crystal Bay Collection, www.vertexchina.com, at least as early as Apr. 13, 2016.  
 Tuxton China, Pacifica, www.tuxton.com, at least as early as Apr. 13, 2016.  
 Susannah Walker, Creativity and Industry, Queensberry Hunt, Fourth Estate and Wordsearch Ltd., 1992, pp. 1-111.  
 Robert J. Charleston, World Ceramics, 1968, pp. 3, 16, 37, 39, 43, 101, 114, 115, 131, 308, McGraw-Hill Book company.

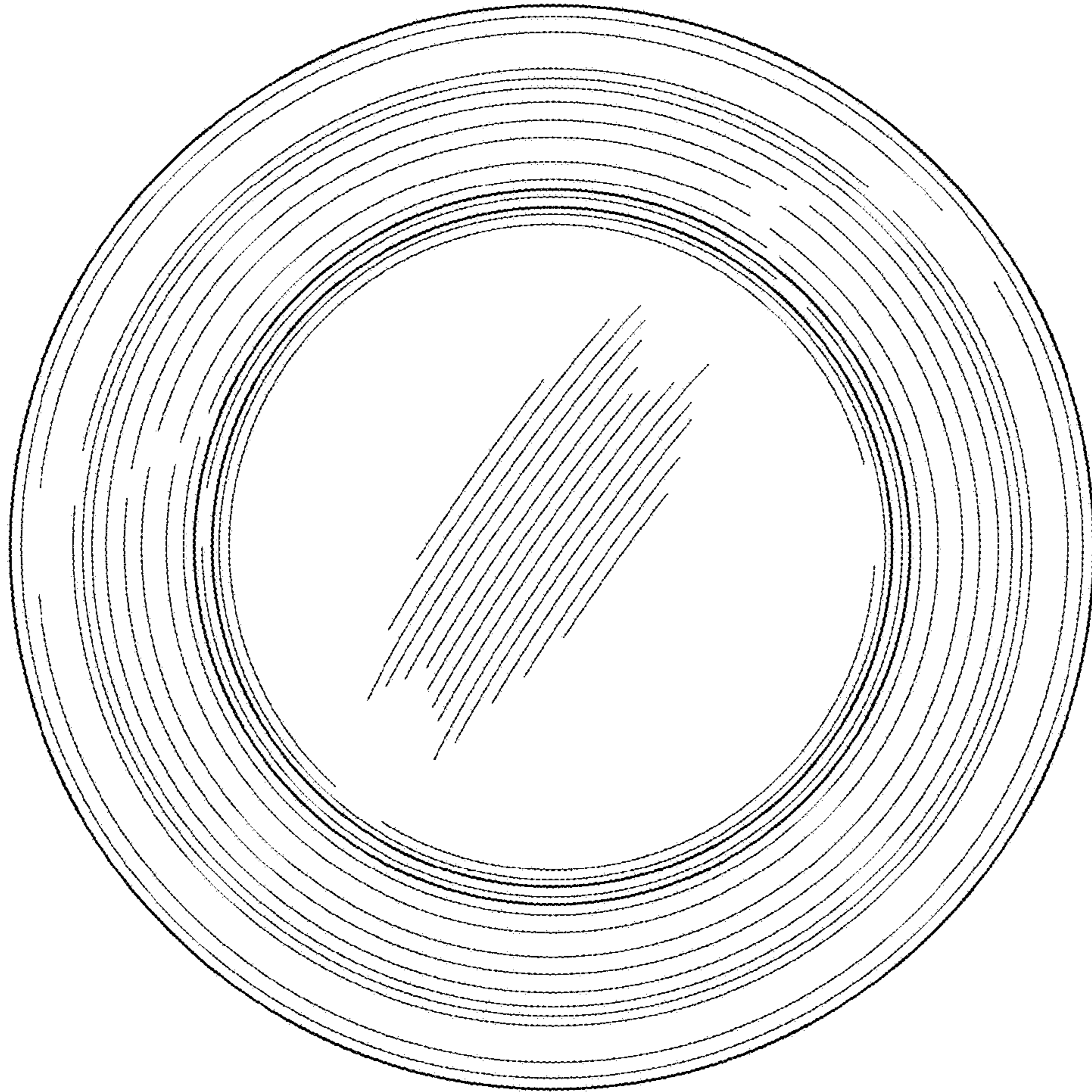
\* cited by examiner



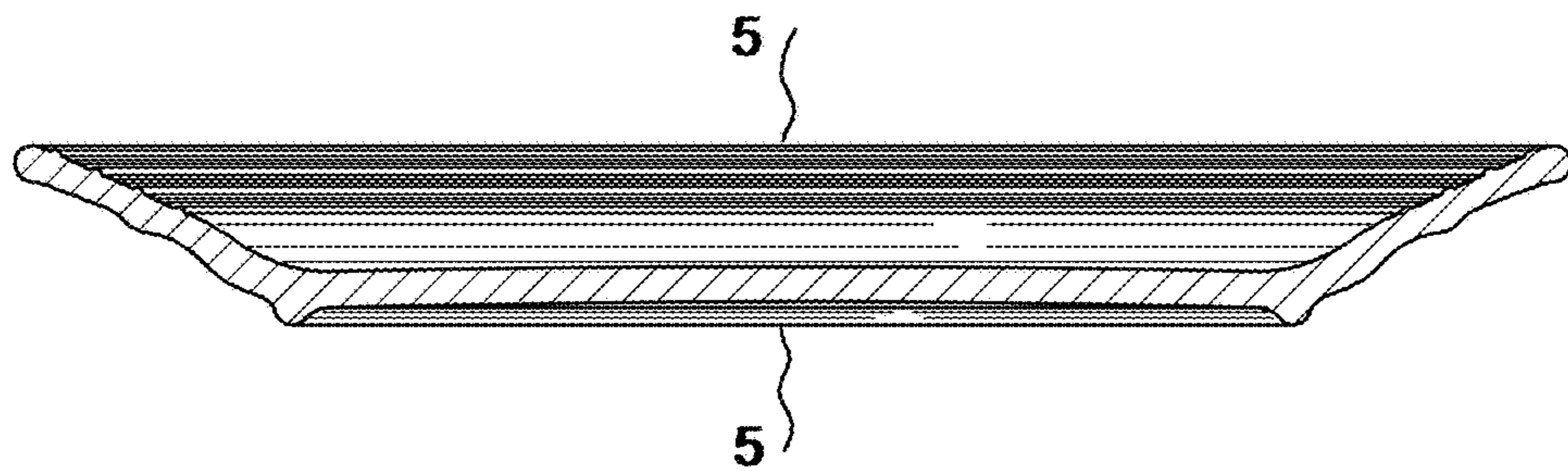
**FIG. 1**



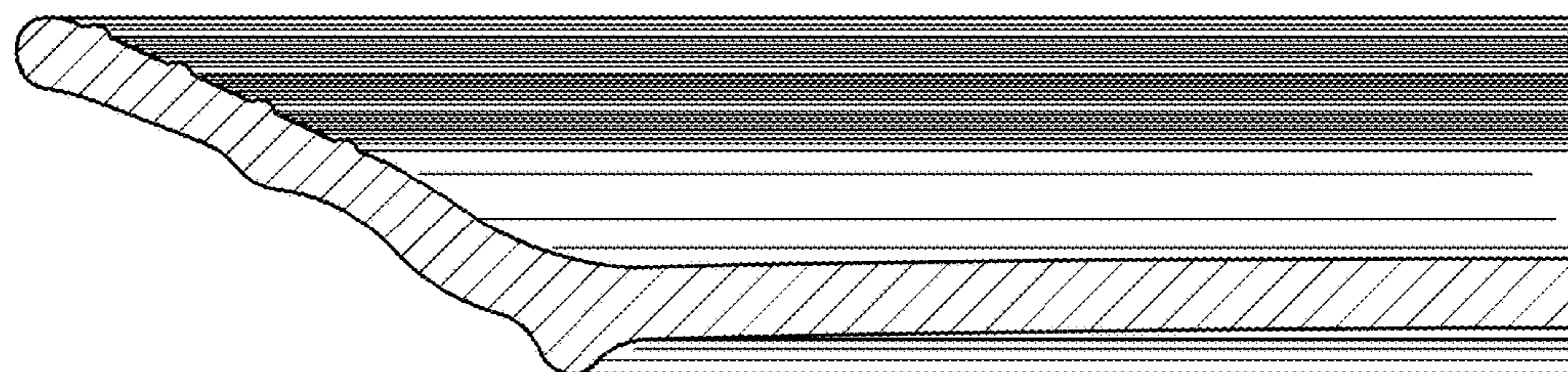
**FIG. 2**



**FIG. 3**



**FIG. 4**



**FIG. 5**