



US00D816416S

(12) **United States Design Patent**
Li et al.

(10) **Patent No.:** **US D816,416 S**
(45) **Date of Patent:** **** May 1, 2018**

- (54) **MEAL BOX**
- (71) Applicant: **Tianjin Renyi Industry Co., Ltd.**,
Tianjin (CN)
- (72) Inventors: **Jinglin Li**, Tianjin (CN); **Liren Li**,
Tianjin (CN); **Wei Zhang**, Tianjin (CN)
- (73) Assignee: **Tianjin Renyi Industry Co., Ltd.**,
Tianjin (CN)
- (**) Term: **15 Years**
- (21) Appl. No.: **29/607,058**
- (22) Filed: **Jun. 9, 2017**
- (51) **LOC (11) Cl.** **07-01**
- (52) **U.S. Cl.**
USPC **D7/542**
- (58) **Field of Classification Search**
USPC D7/542, 629, 538, 500
CPC B65D 25/04; B65D 443/0218
See application file for complete search history.

- D605,469 S * 12/2009 Wingfield D7/505
- D642,868 S * 8/2011 Shah D7/538
- D671,367 S * 11/2012 Shah D7/542
- D682,609 S * 5/2013 Lindsay D7/392.1
- D696,075 S * 12/2013 Mashike D7/605
- D704,987 S * 5/2014 Stamper D7/392.1
- 8,733,550 B2 * 5/2014 Harvey B65D 53/02
206/508
- D708,913 S * 7/2014 Ng D7/629
- D715,646 S * 10/2014 Fraser D9/436
- D718,148 S * 11/2014 Marret D9/717
- D722,832 S * 2/2015 Ra D7/602
- D741,664 S * 10/2015 Kyle D7/629
- D758,805 S * 6/2016 Myoung D7/629
- D763,629 S * 8/2016 Swartz D7/629
- D777,530 S * 1/2017 Marret D7/629
- D780,534 S * 3/2017 Oliver D7/629
- D796,266 S * 9/2017 Croft D7/538

(Continued)

Primary Examiner — Cynthia R Underwood
(74) *Attorney, Agent, or Firm* — Maier & Maier, PLLC

(57) **CLAIM**

The ornamental design for a meal box, as shown and described.

DESCRIPTION

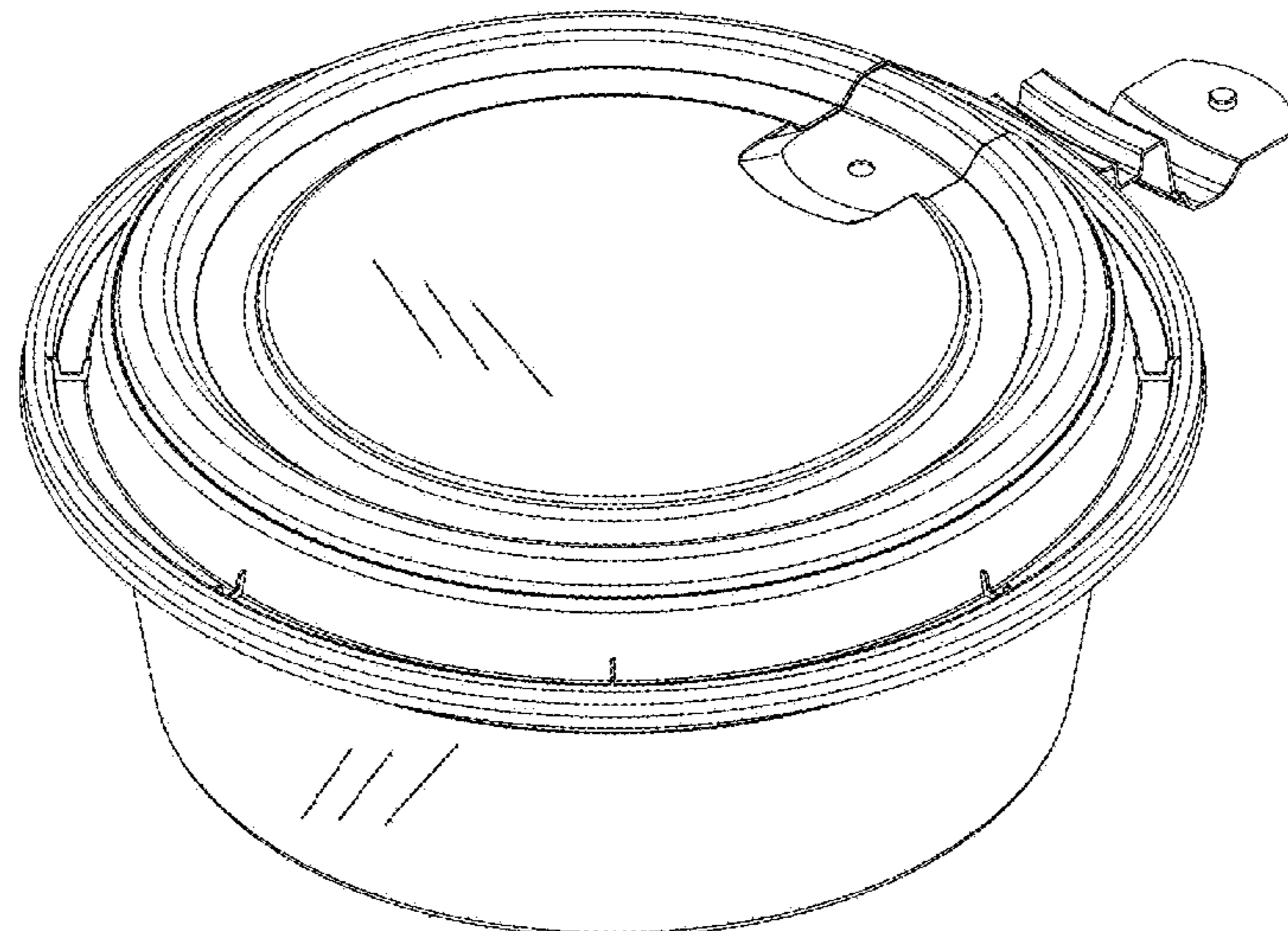
FIG. 1 is a perspective view of a meal box showing our new design;
FIG. 2 is a front view thereof;
FIG. 3 is a rear view thereof;
FIG. 4 is a left side view thereof;
FIG. 5 is a right side view thereof;
FIG. 6 is a top view thereof;
FIG. 7 is a bottom view thereof;
FIG. 8 is a perspective view of the meal box with a portion of the lid in an alternate position; and,
FIG. 9 is a right side view of the meal box with a portion of the lid in an alternate position.

1 Claim, 9 Drawing Sheets

(56) **References Cited**

U.S. PATENT DOCUMENTS

- 3,955,742 A * 5/1976 Marshall B65D 51/247
220/270
- 5,174,452 A * 12/1992 Wang A45C 11/20
206/542
- 5,443,174 A * 8/1995 Bauer B65D 17/4011
220/212
- 6,003,710 A * 12/1999 Huang B65D 51/246
215/228
- 6,371,324 B1 * 4/2002 Torniainen B65D 51/246
206/541
- D513,979 S * 1/2006 Snedden D9/418
- D528,432 S * 9/2006 Snedden D9/716
- D547,124 S * 7/2007 Peretz D7/505
- D569,243 S * 5/2008 Kidd D9/425
- D601,381 S * 10/2009 Stamper D7/505



(56)

References Cited

U.S. PATENT DOCUMENTS

2005/0006390 A1* 1/2005 Wang B65D 45/30
220/326
2005/0035125 A1* 2/2005 Bae B65D 43/0218
220/326
2014/0103033 A1* 4/2014 Beckman B65D 25/04
220/4.01

* cited by examiner

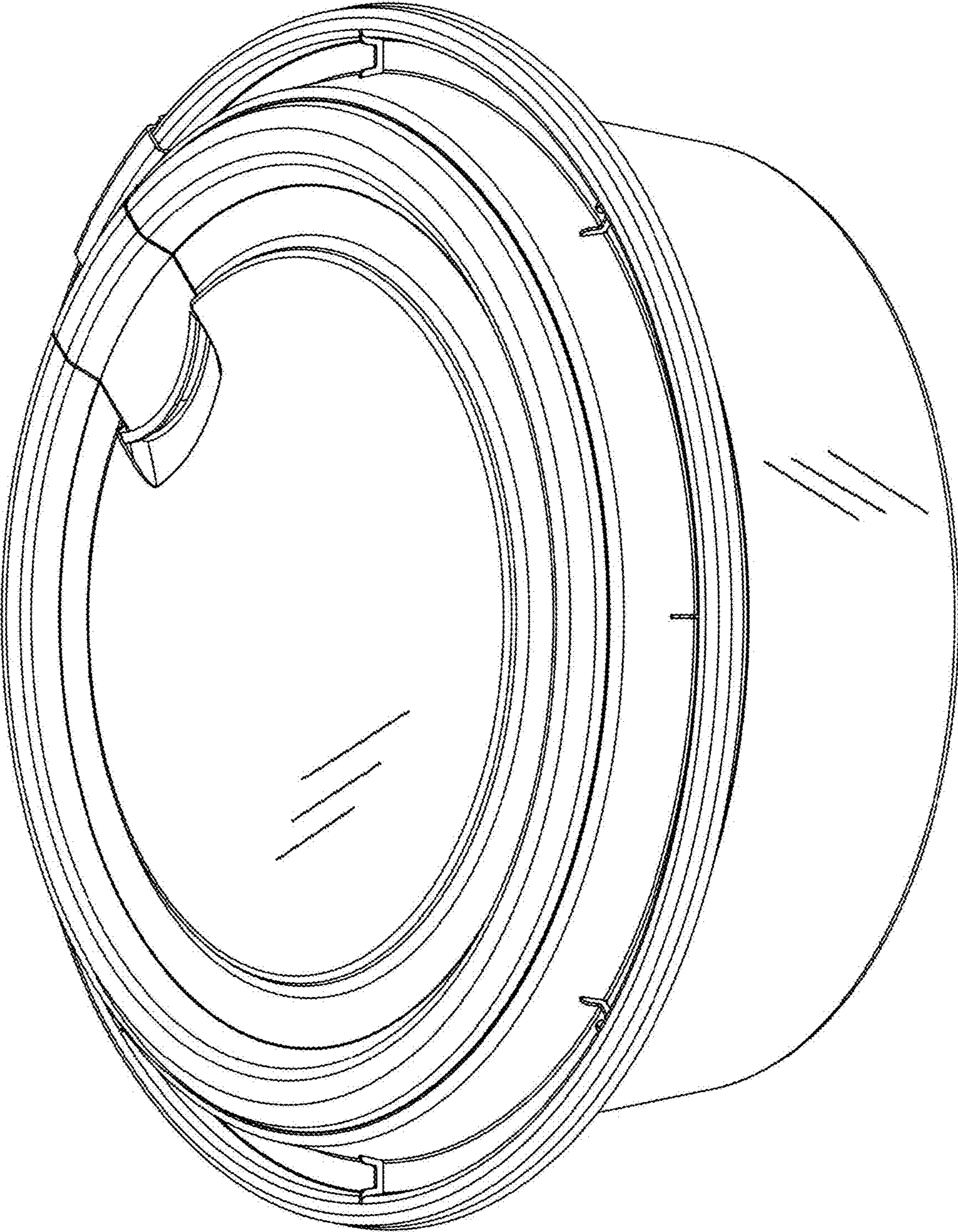


Figure 1

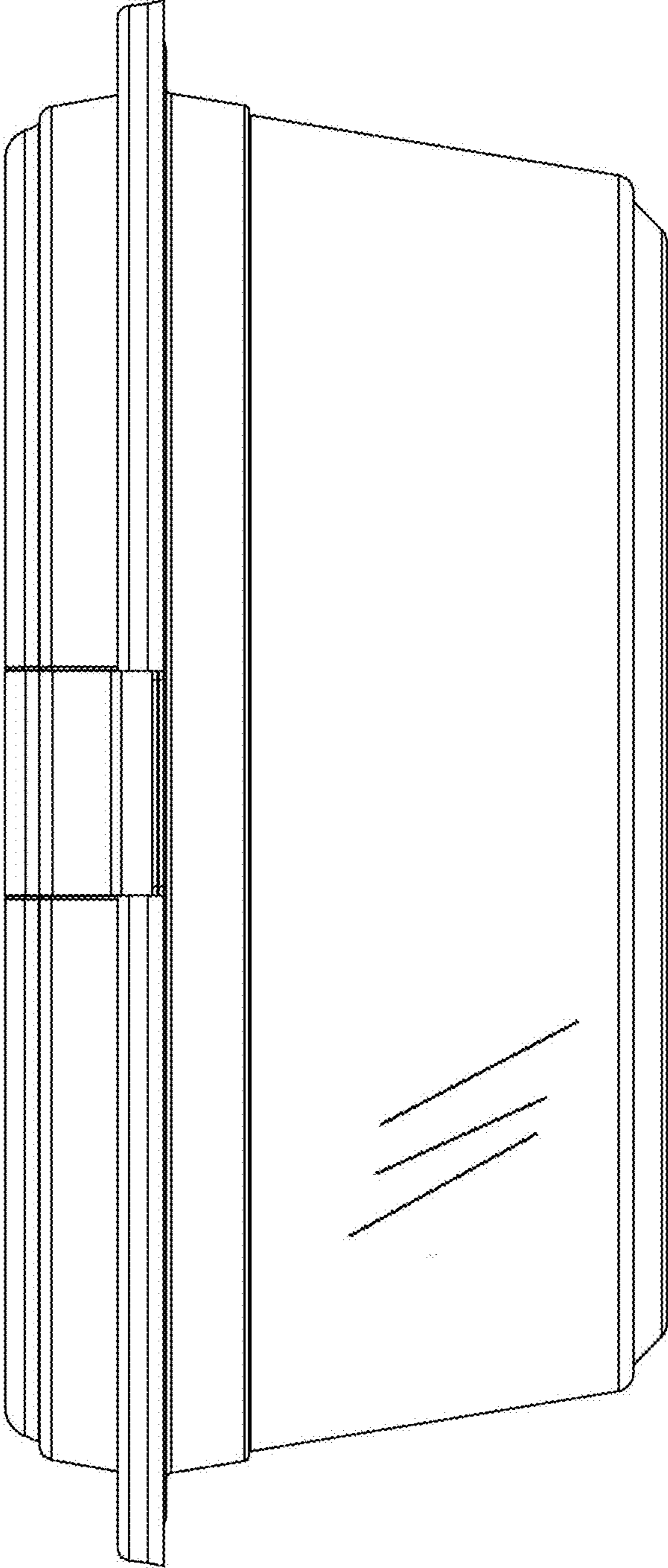


Figure 2

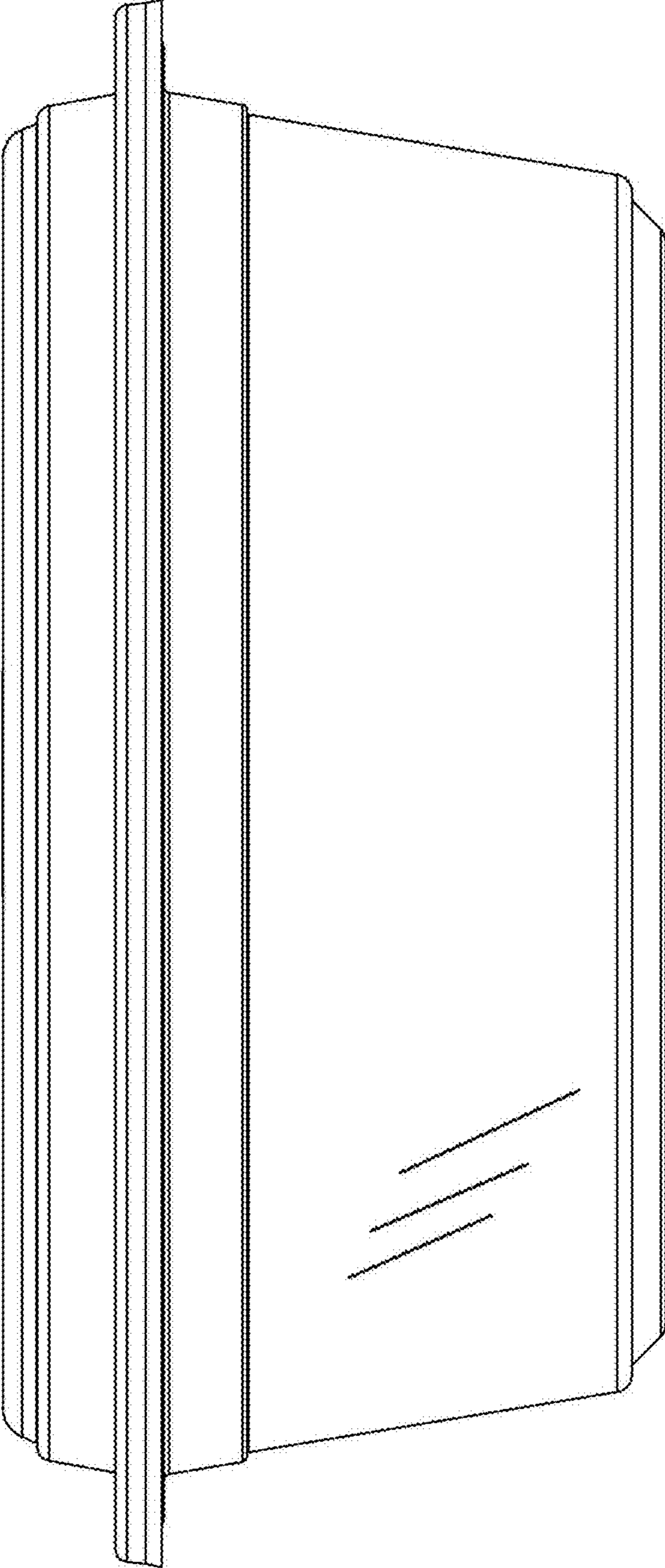


Figure 3

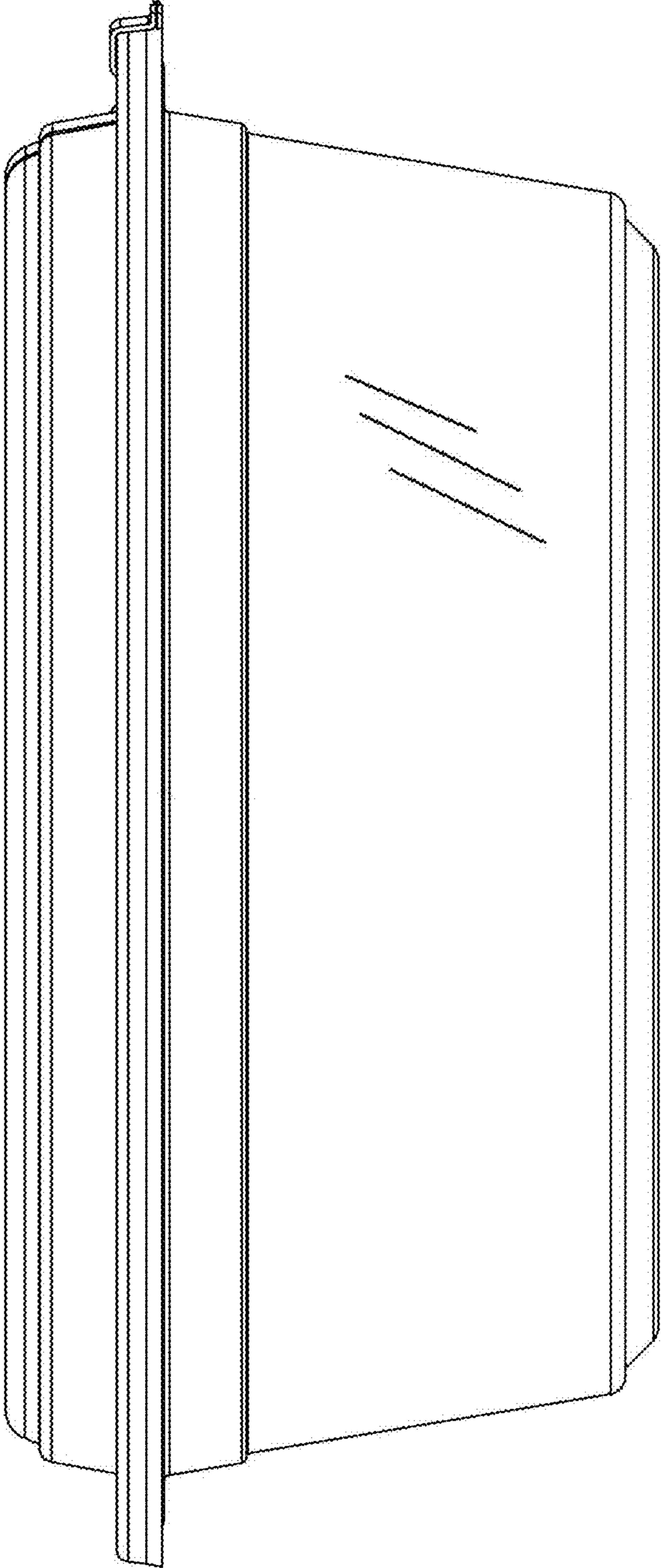


Figure 4

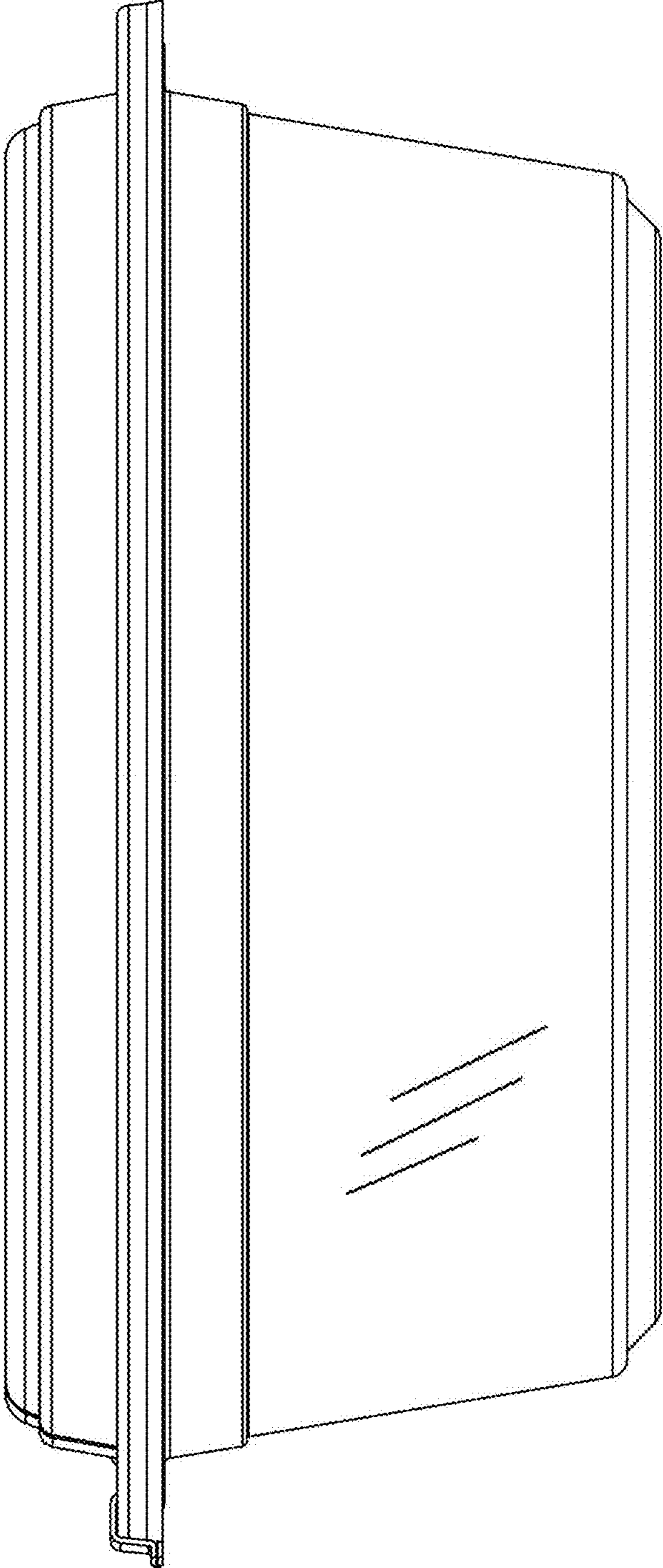


Figure 5

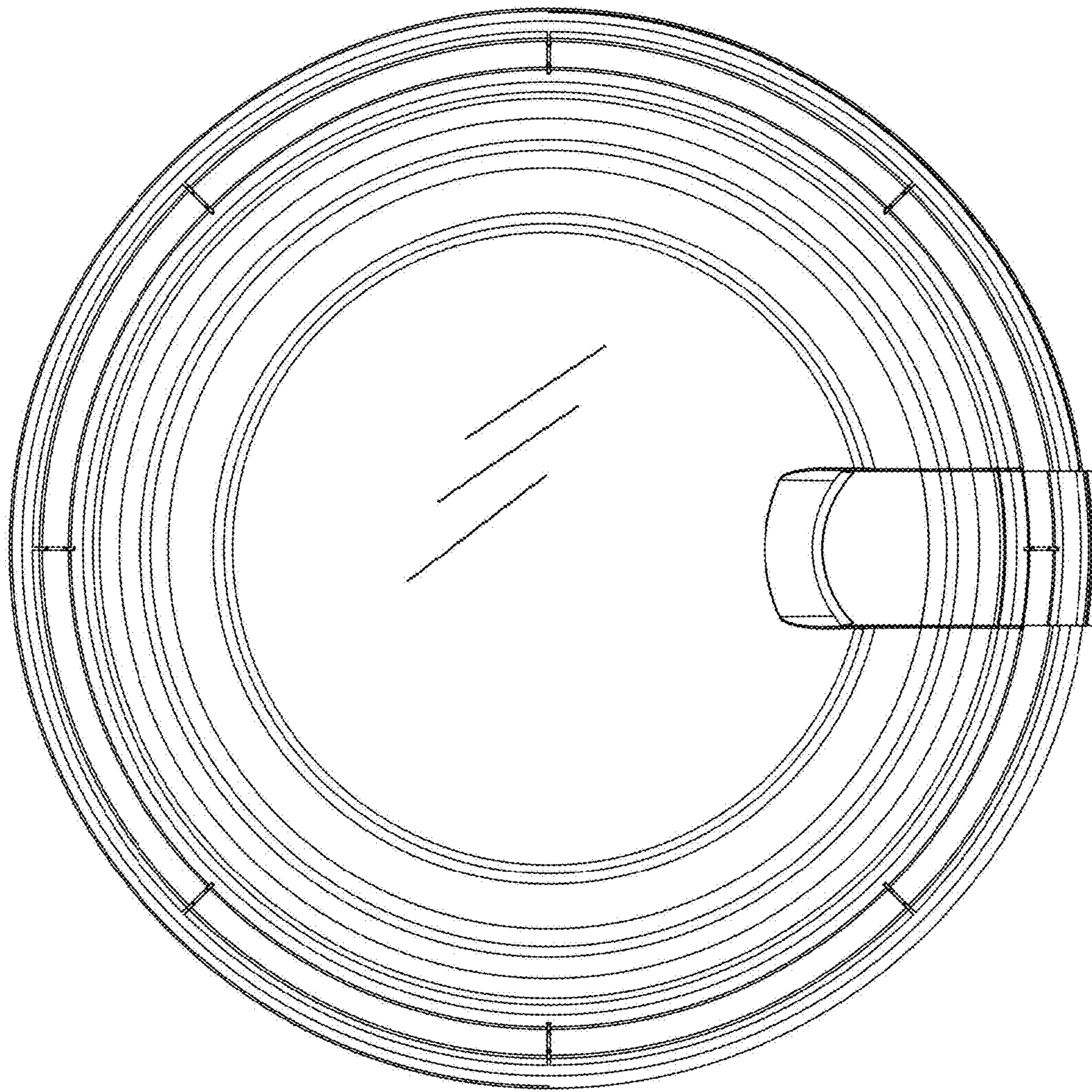


Figure 6

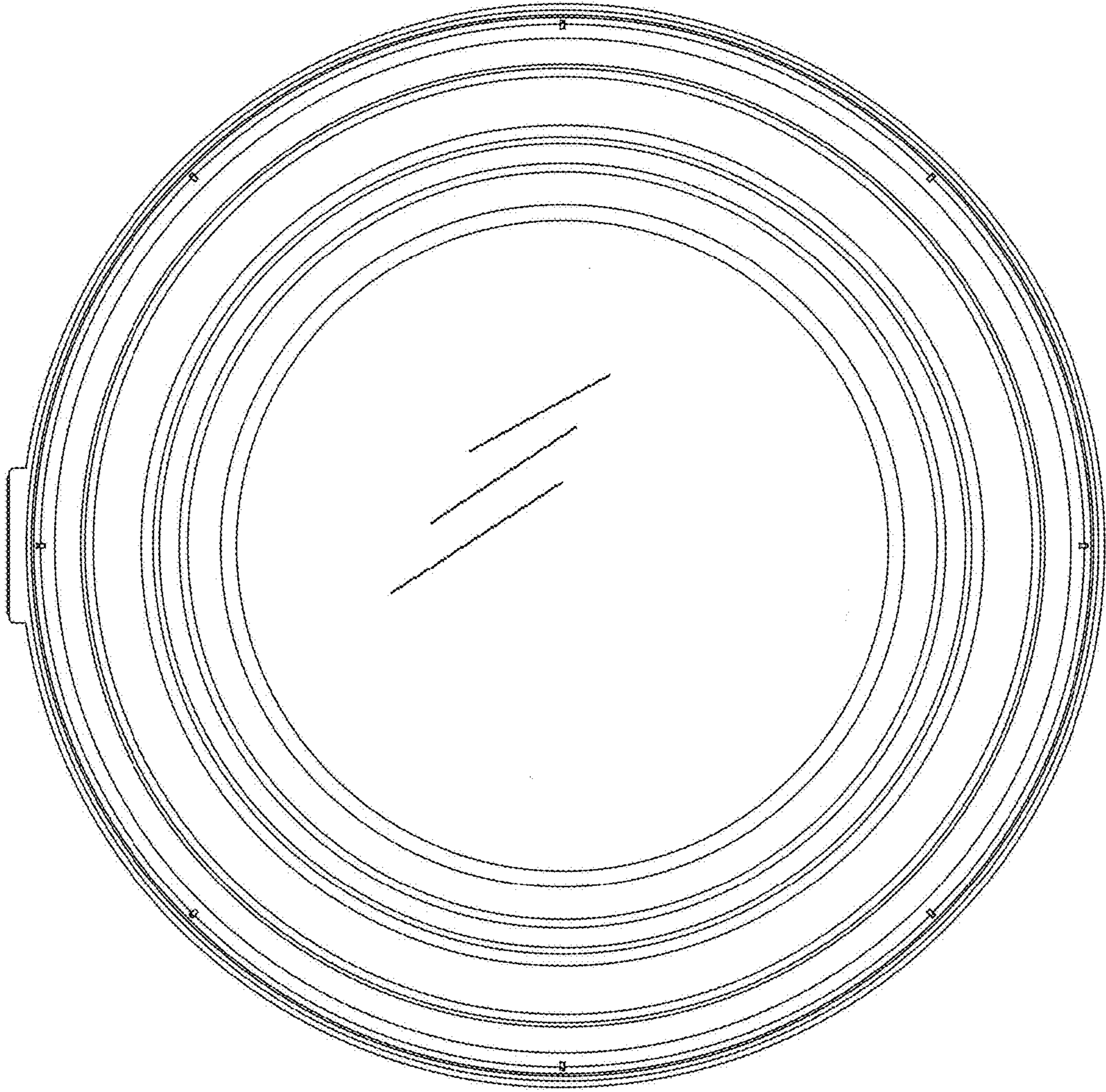


Figure 7

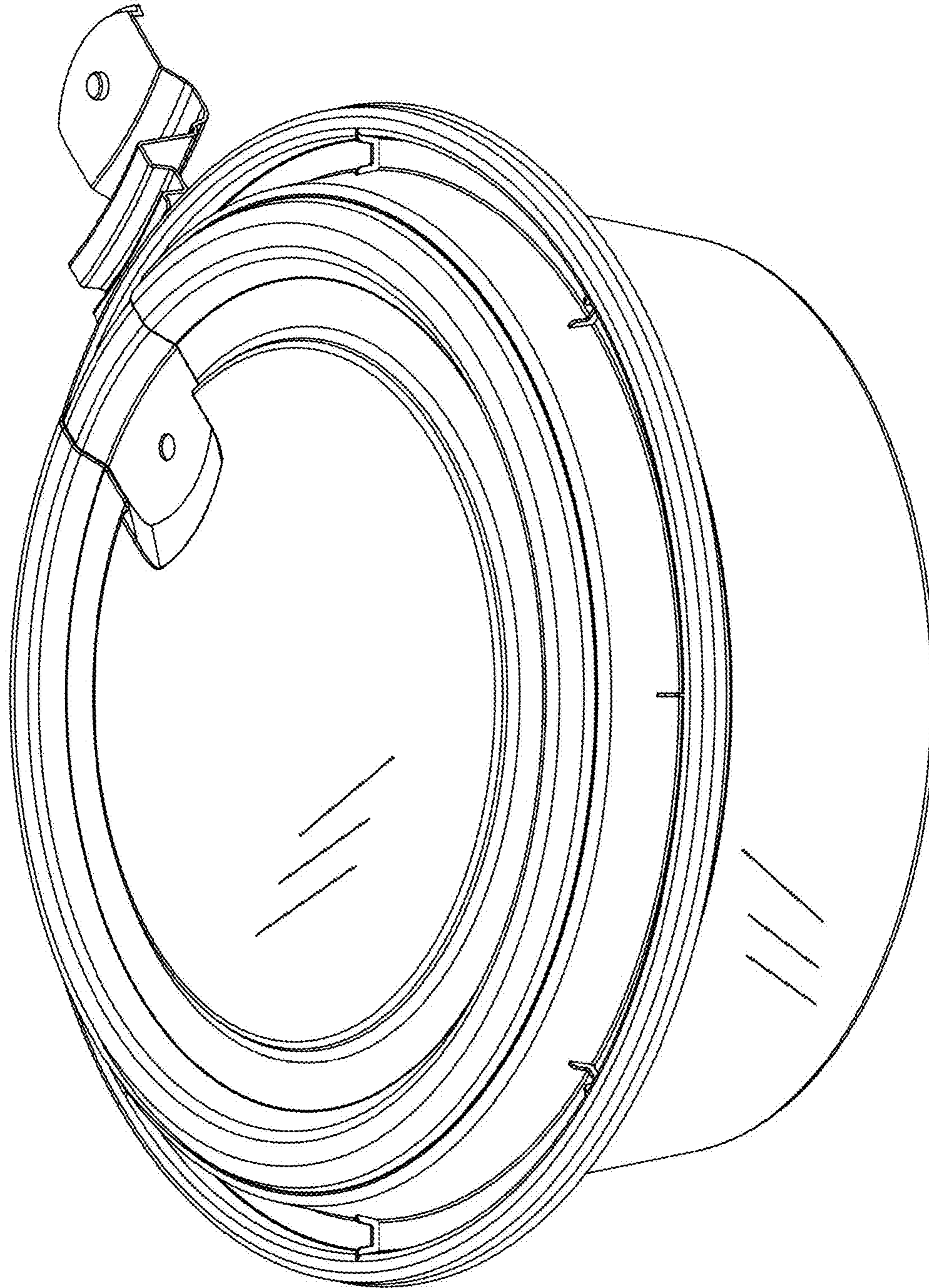


Figure 8

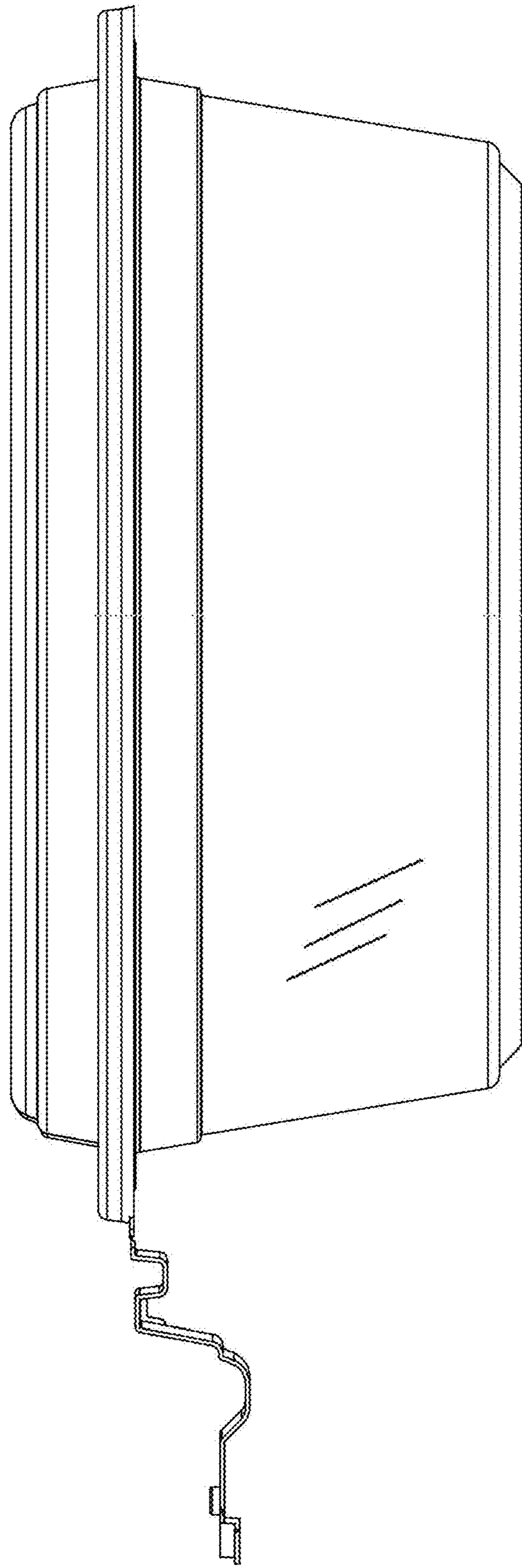


Figure 9