



US00D816415S

(12) **United States Design Patent**  
**Li et al.**

(10) **Patent No.:** **US D816,415 S**  
(45) **Date of Patent:** **\*\* May 1, 2018**

- (54) **MEAL BOX**
- (71) Applicant: **Tianjin Renyi Industry Co., Ltd.,**  
Tianjin (CN)
- (72) Inventors: **Jinglin Li,** Tianjin (CN); **Liren Li,**  
Tianjin (CN); **Wei Zhang,** Tianjin (CN)
- (73) Assignee: **Tianjin Renyi Industry Co., Ltd.,**  
Tianjin (CN)
- (\*\*) Term: **15 Years**
- (21) Appl. No.: **29/607,054**
- (22) Filed: **Jun. 9, 2017**
- (51) **LOC (11) Cl.** ..... **07-01**
- (52) **U.S. Cl.**  
USPC ..... **D7/542**
- (58) **Field of Classification Search**  
USPC ..... D7/542, 629, 538, 500  
CPC ..... B65D 25/04; B65D 443/0218  
See application file for complete search history.

D605,469	S *	12/2009	Wingfield	.....	D7/505
D642,868	S *	8/2011	Shah	.....	D7/538
D671,367	S *	11/2012	Shah	.....	D7/542
D682,609	S *	5/2013	Lindsay	.....	D7/392.1
D696,075	S *	12/2013	Mashike	.....	D7/605
D704,987	S *	5/2014	Stamper	.....	D7/392.1
8,733,550	B2 *	5/2014	Harvey	.....	B65D 53/02 206/508
D708,913	S *	7/2014	Ng	.....	D7/629
D715,646	S *	10/2014	Fraser	.....	D9/436
D718,148	S *	11/2014	Marret	.....	D9/717
D722,832	S *	2/2015	Ra	.....	D7/602
D741,664	S *	10/2015	Kyle	.....	D7/629
D758,805	S *	6/2016	Myoung	.....	D7/629
D763,629	S *	8/2016	Swartz	.....	D7/629
D777,530	S *	1/2017	Marret	.....	D7/629
D780,534	S *	3/2017	Oliver	.....	D7/629
D796,266	S *	9/2017	Croft	.....	D7/538
2005/0006390	A1 *	1/2005	Wang	.....	B65D 45/30 220/326

(Continued)

*Primary Examiner* — Cynthia R Underwood  
(74) *Attorney, Agent, or Firm* — Maier & Maier, PLLC

(57) **CLAIM**

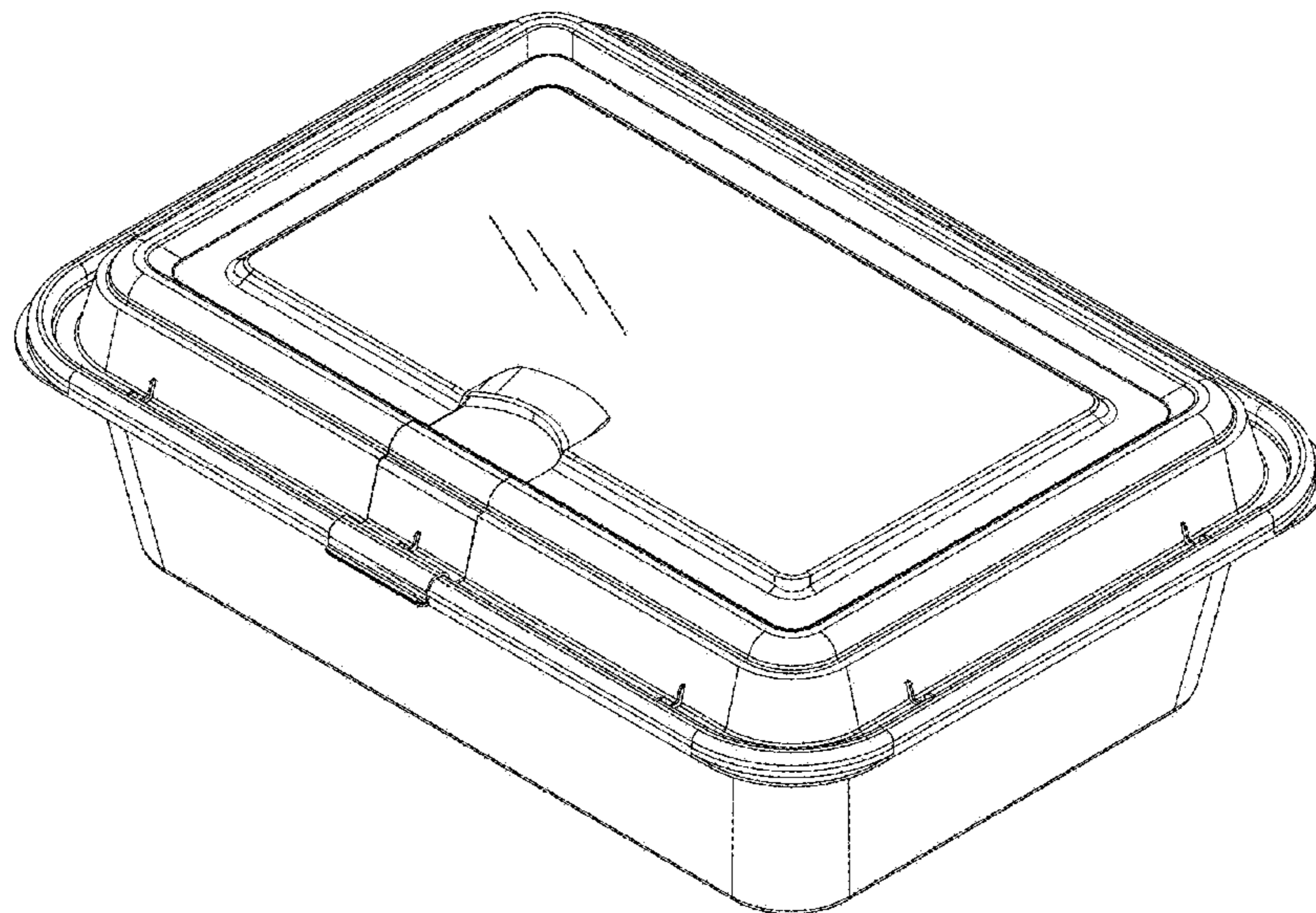
The ornamental design for a meal box, as shown and described.

**DESCRIPTION**

FIG. 1 is a perspective view of a meal box showing our new design;  
FIG. 2 is a front view thereof;  
FIG. 3 is a rear view thereof;  
FIG. 4 is a left side view thereof;  
FIG. 5 is a right side view thereof;  
FIG. 6 is a top view thereof;  
FIG. 7 is a bottom view thereof; and,  
FIG. 8 is a top down view of the meal box with the lid in an alternate position.

**1 Claim, 8 Drawing Sheets**

- (56) **References Cited**  
U.S. PATENT DOCUMENTS
- 3,955,742 A \* 5/1976 Marshall ..... B65D 51/247  
220/270
- 5,174,452 A \* 12/1992 Wang ..... A45C 11/20  
206/542
- 5,443,174 A \* 8/1995 Bauer ..... B65D 17/4011  
220/212
- 6,003,710 A \* 12/1999 Huang ..... B65D 51/246  
215/228
- 6,371,324 B1 \* 4/2002 Tornaiainen ..... B65D 51/246  
206/541
- D513,979 S \* 1/2006 Snedden ..... D9/418
- D528,432 S \* 9/2006 Snedden ..... D9/716
- D547,124 S \* 7/2007 Peretz ..... D7/505
- D569,243 S \* 5/2008 Kidd ..... D9/425
- D601,381 S \* 10/2009 Stamper ..... D7/505



(56)

**References Cited**

U.S. PATENT DOCUMENTS

2005/0035125 A1\* 2/2005 Bae ..... B65D 43/0218  
220/326  
2014/0103033 A1\* 4/2014 Beckman ..... B65D 25/04  
220/4.01

\* cited by examiner

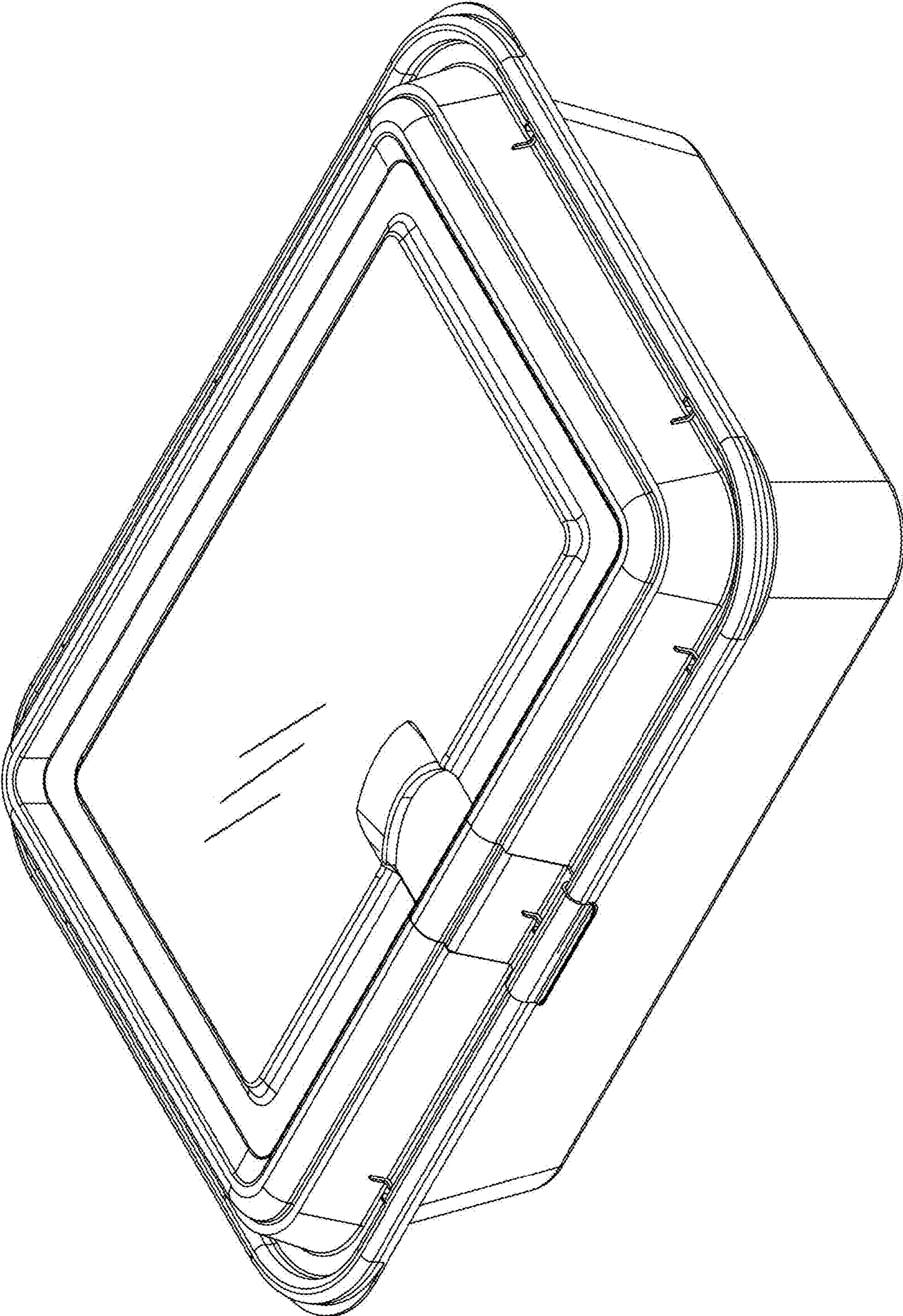


Figure 1



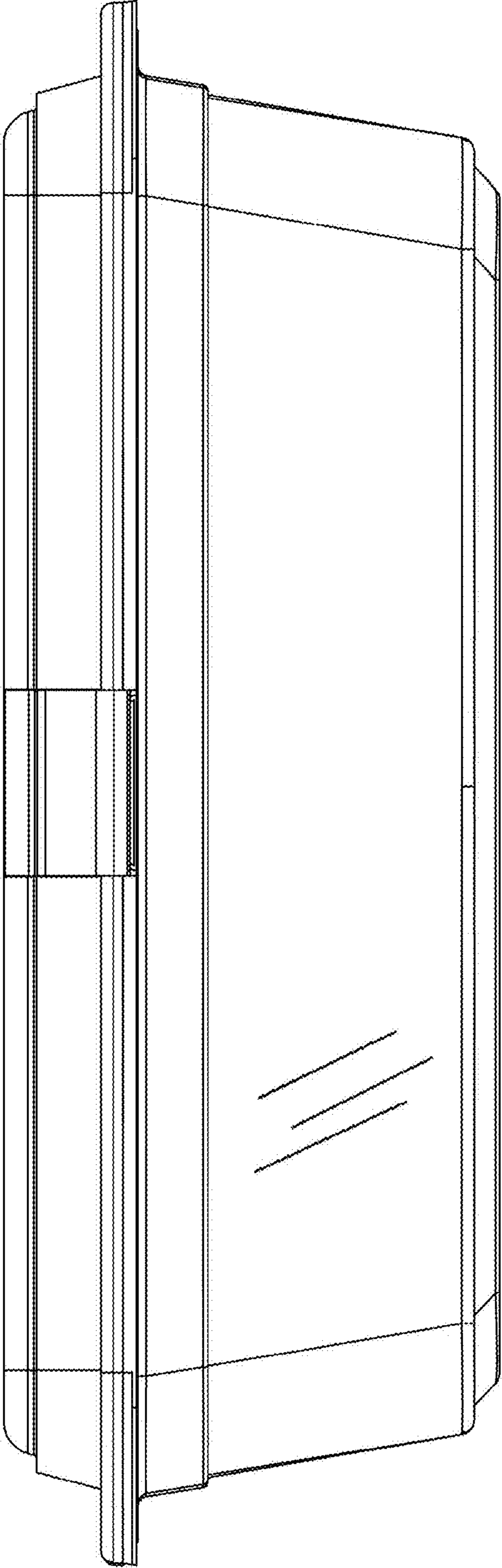


Figure 2

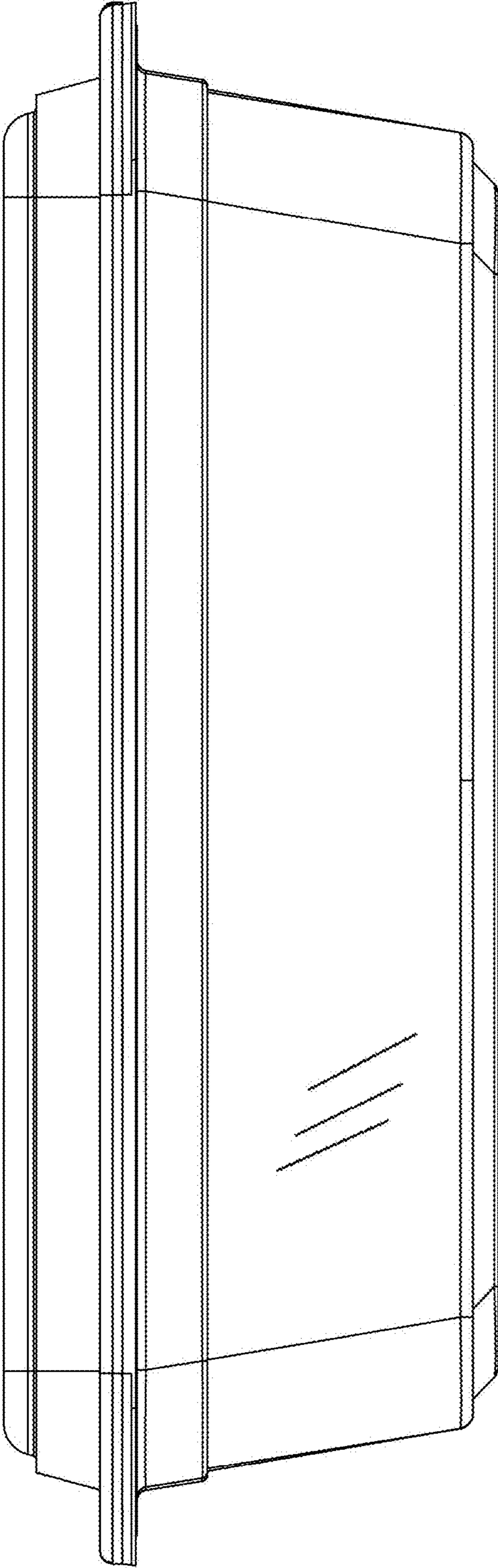


Figure 3

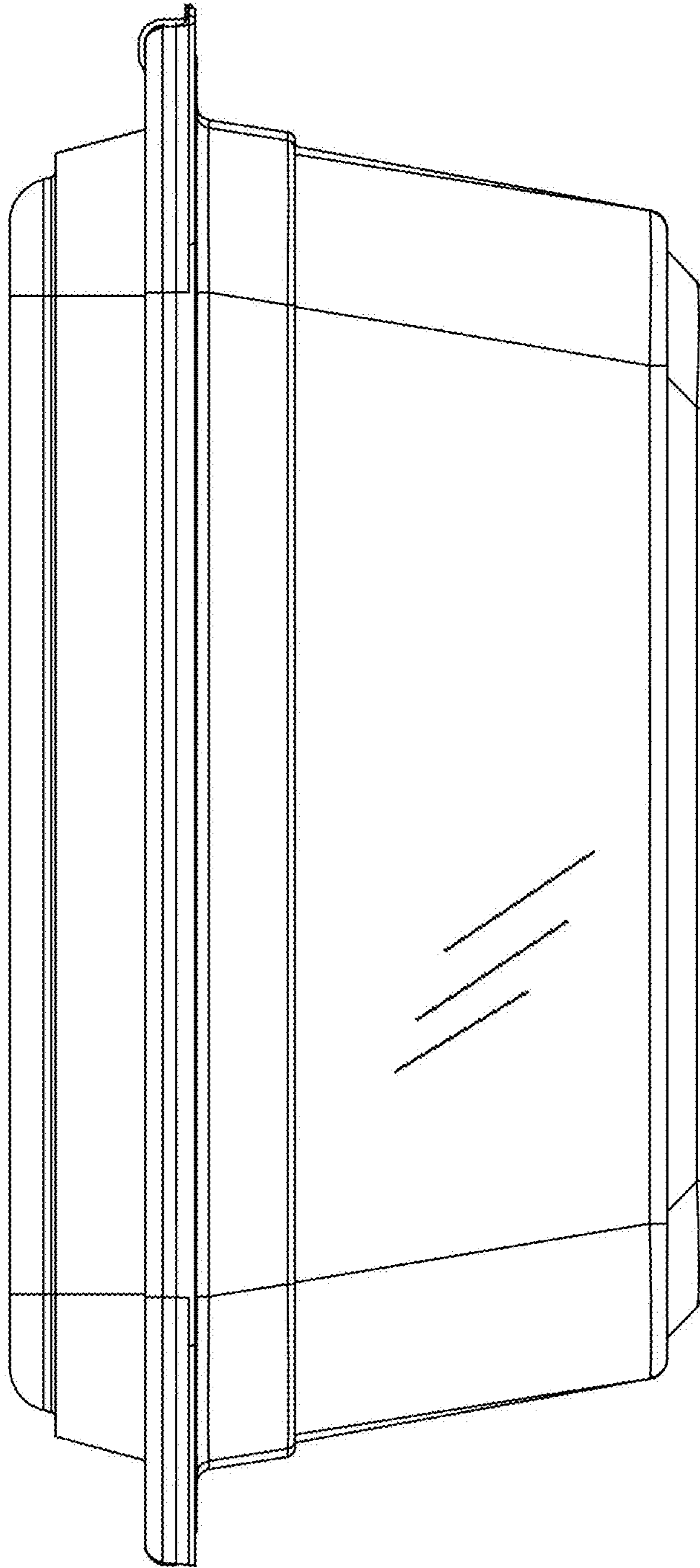


Figure 4

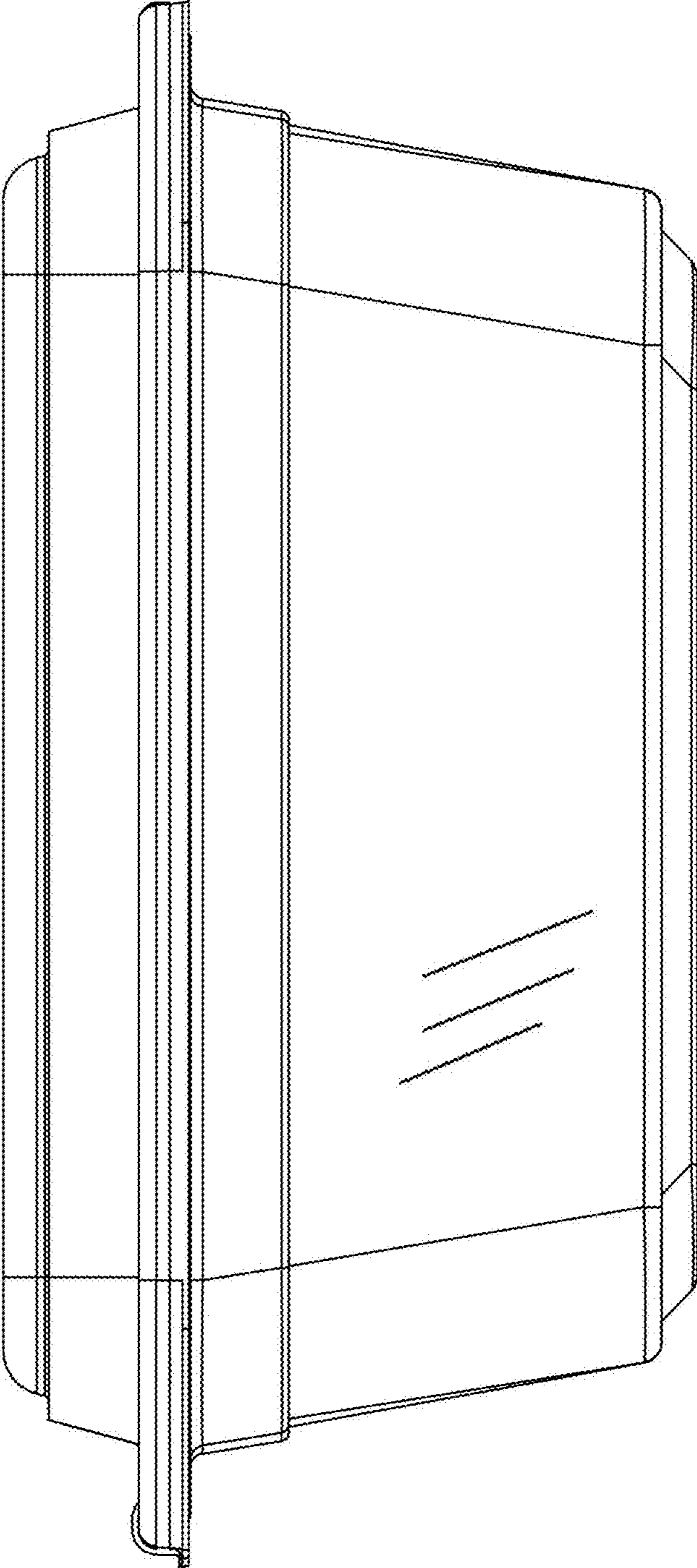


Figure 5



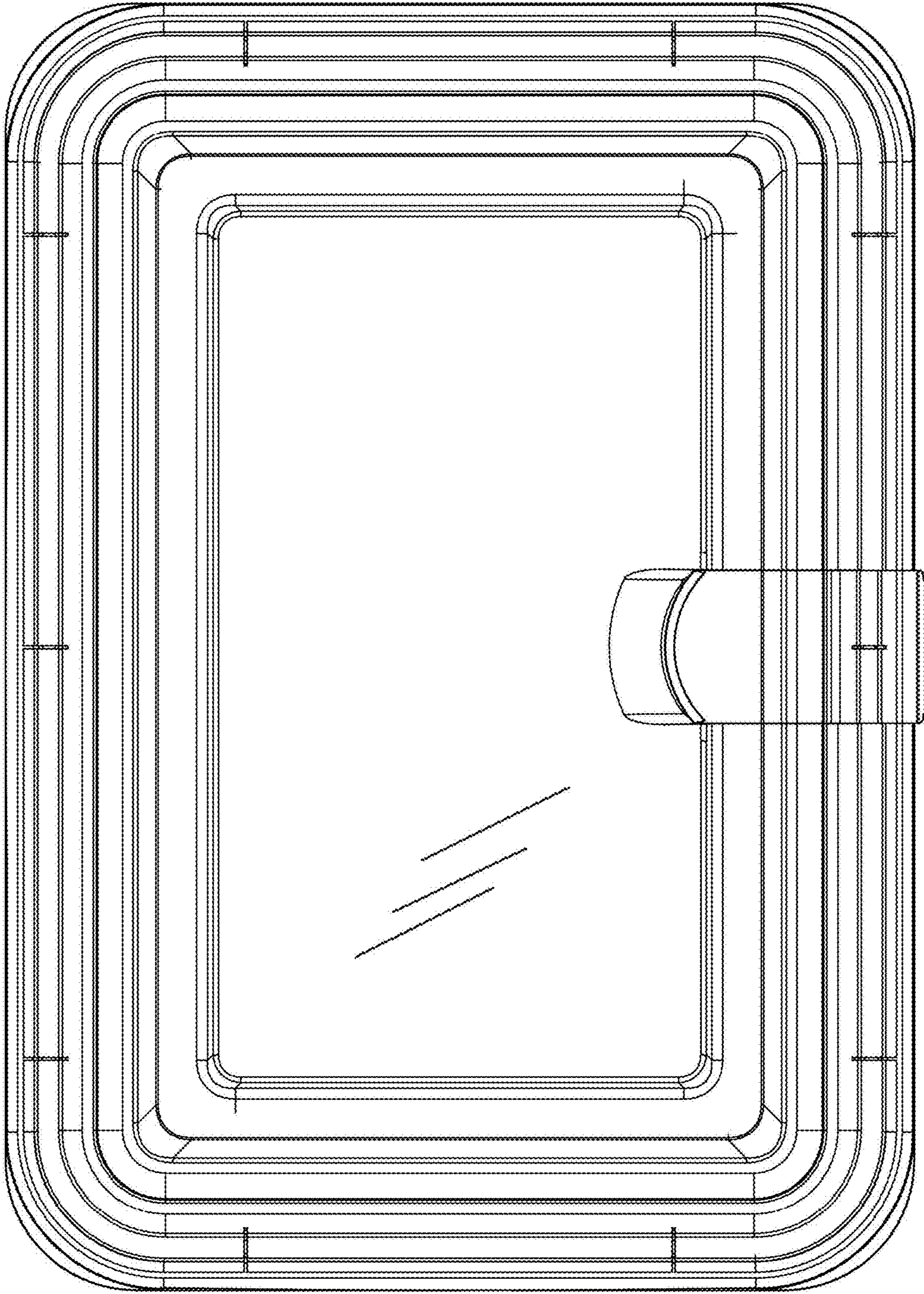


Figure 6



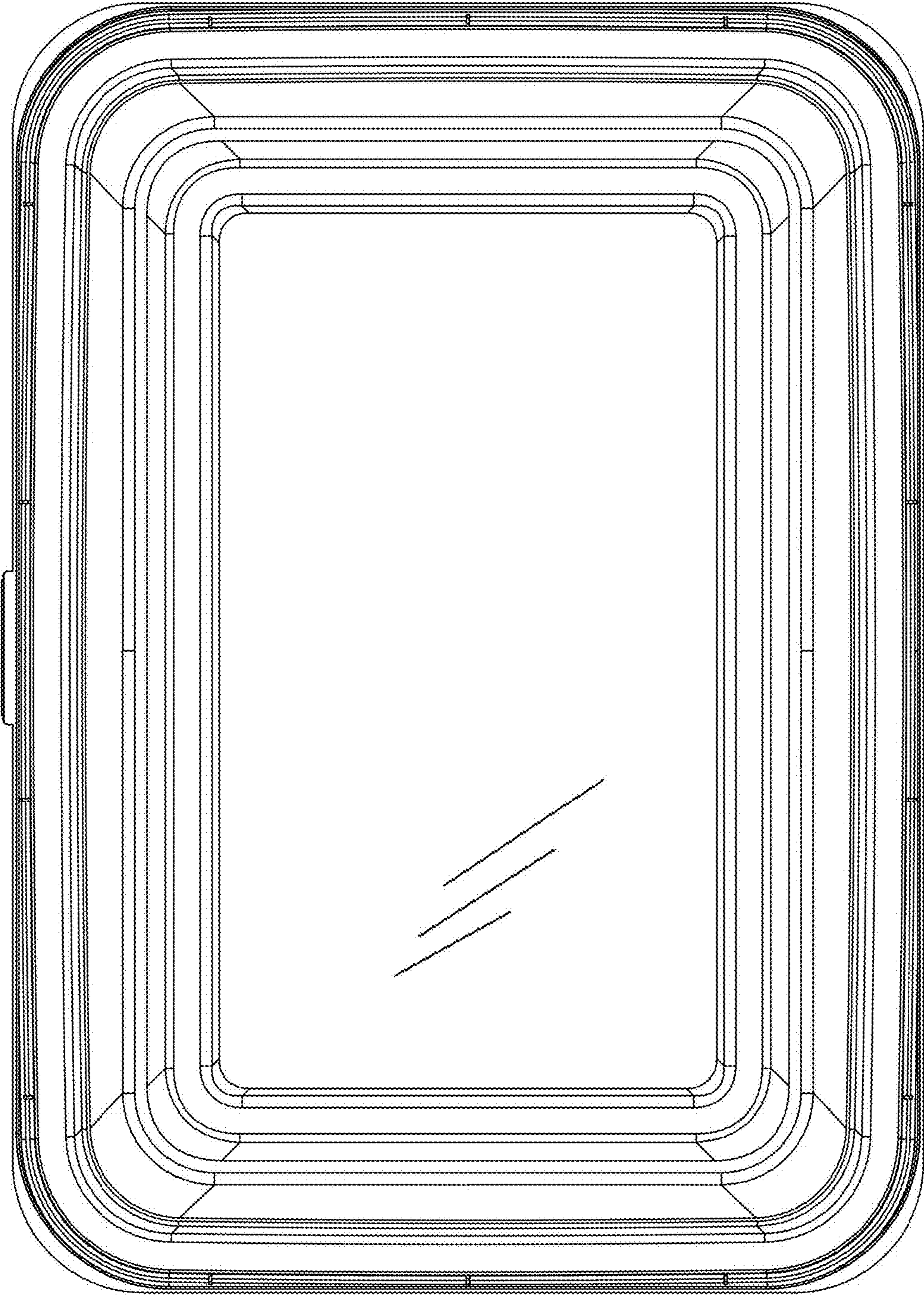


Figure 7

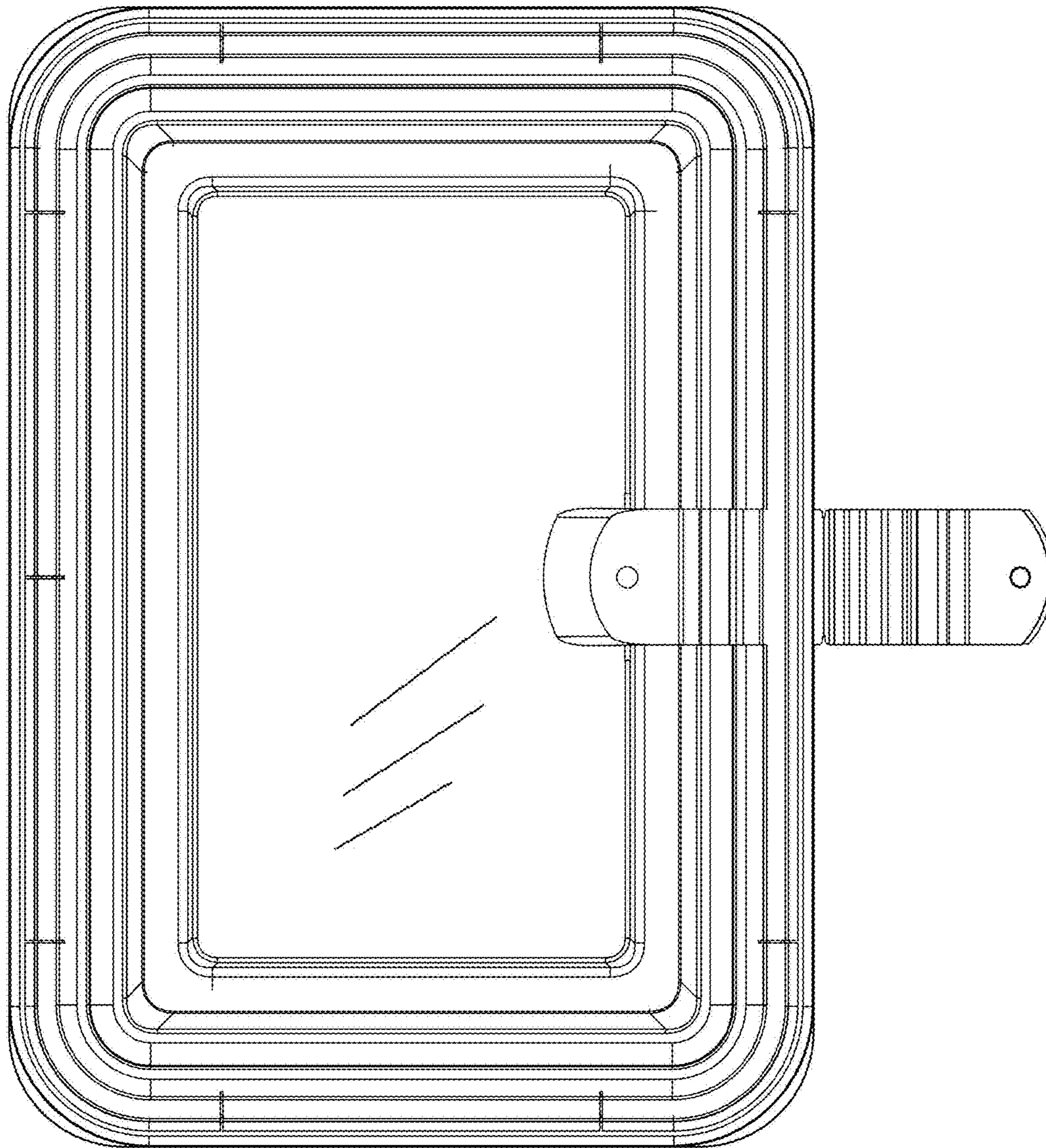


Figure 8