



US00D816410S

(12) **United States Design Patent** (10) **Patent No.:** **US D816,410 S**
Yu (45) **Date of Patent:** **** May 1, 2018**

(54) **WATER BOTTLE**

(71) Applicant: **Charles Yu**, Los Angeles, CA (US)

(72) Inventor: **Charles Yu**, Los Angeles, CA (US)

(**) Term: **15 Years**

(21) Appl. No.: **29/584,859**

(22) Filed: **Nov. 17, 2016**

(51) **LOC (11) Cl.** **09-01**

(52) **U.S. Cl.**
USPC **D7/510; D7/536; D7/511; D9/531**

(58) **Field of Classification Search**
USPC D7/507, 509, 510, 511, 523, 529, 530,
D7/608, 536, 532; D9/500, 502, 503,
D9/504, 517, 530, 538, 539, 540, 541,
D9/544, 545, 547, 548, 552, 569, 453,
D9/452, 531; 220/592.16, 592.17;
215/381, 382
CPC A47G 19/22; A47G 19/2205; A47G
19/2211; A47G 19/2266; A47G 19/2272;
A45F 3/16; B65D 41/04
See application file for complete search history.

D695,070 S * 12/2013 Strobel D7/510
D719,028 S * 12/2014 Tiet D9/531
D719,029 S * 12/2014 Tiet D9/531
D726,018 S * 4/2015 Archer D9/446
D745,799 S * 12/2015 Lipson D7/300
D746,693 S * 1/2016 Davis D9/528
D750,434 S * 3/2016 Kirkpatrick D7/510
D766,724 S * 9/2016 Niggel D9/520
9,457,934 B1 * 10/2016 Kirkpatrick A47G 19/2266
D778,661 S * 2/2017 Vazin D7/306
D781,107 S * 3/2017 Welsch D7/532
D781,657 S * 3/2017 Welsch D7/532
D782,877 S * 4/2017 Cetera D7/510
D793,164 S * 8/2017 Charlton D7/510
D796,330 S * 9/2017 Vazin D9/531
2004/0065636 A1 * 4/2004 Thibodeau B29C 49/54
215/398

* cited by examiner

Primary Examiner — Marianne Pandozzi
Assistant Examiner — Jae Liang
(74) *Attorney, Agent, or Firm* — Cislo & Thomas, LLP

(57) **CLAIM**

The ornamental design for a water bottle, as shown and described.

DESCRIPTION

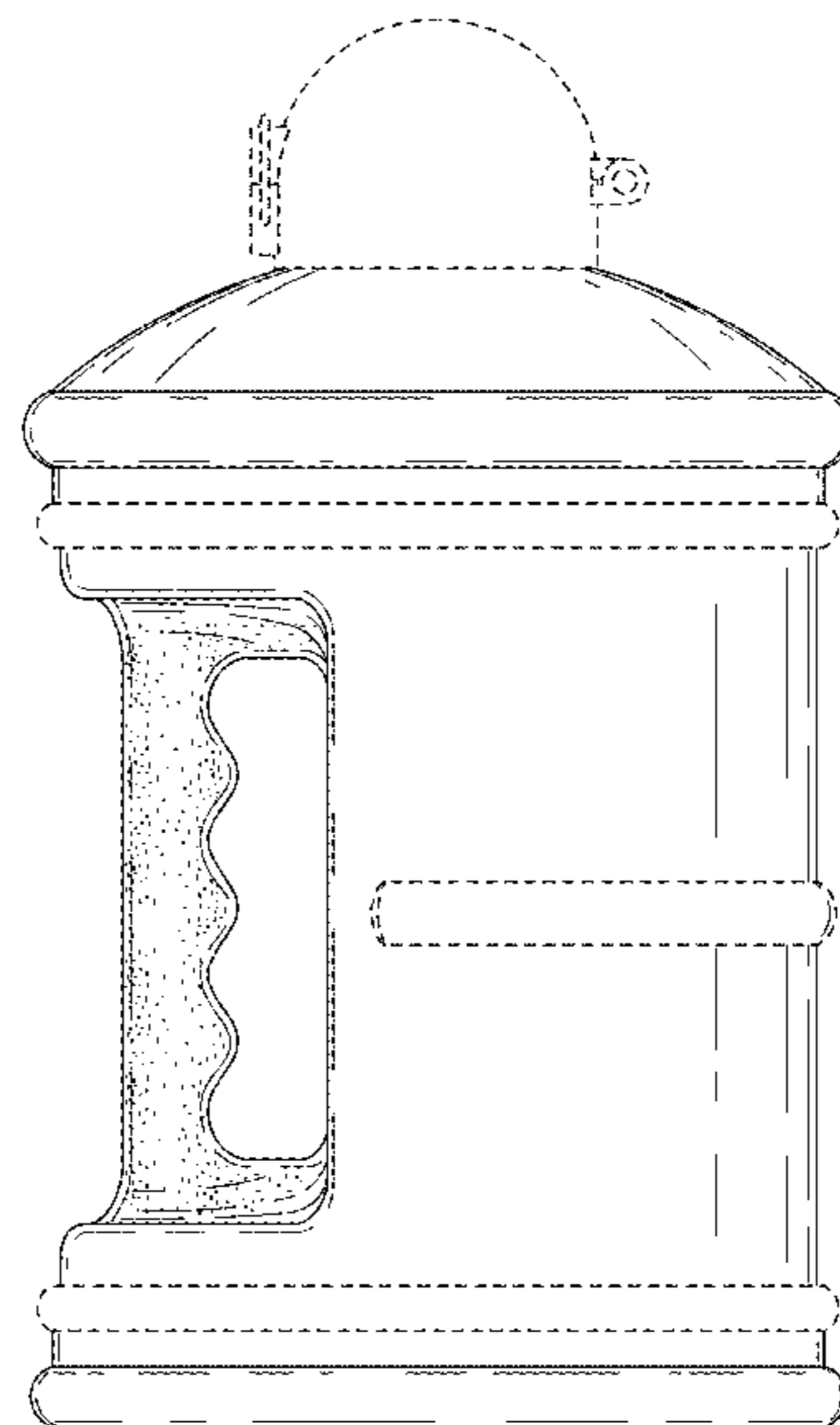
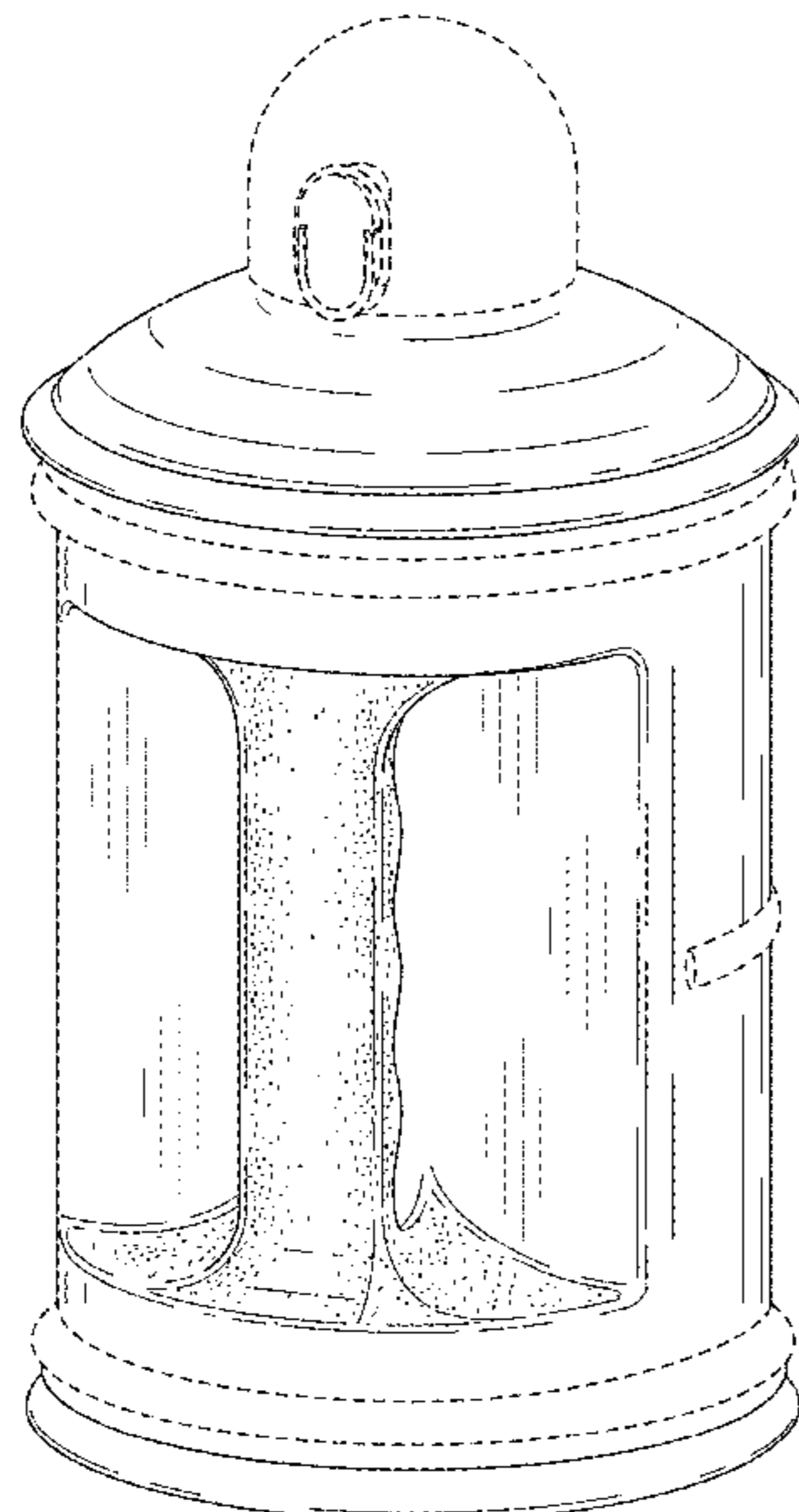
FIG. 1 is a perspective view of a water bottle showing my new design;
FIG. 2 is a front view thereof;
FIG. 3 is a rear view thereof;
FIG. 4 is a left side view thereof;
FIG. 5 is a right view thereof;
FIG. 6 is a top view thereof; and,
FIG. 7 is a bottom view thereof.
The broken lines in the drawings depict portions of the water bottle that form no part of the claimed design.

1 Claim, 4 Drawing Sheets

(56) **References Cited**

U.S. PATENT DOCUMENTS

D360,830 S * 8/1995 Hestehave D9/520
D412,847 S * 8/1999 Wainberg D9/531
D419,885 S * 2/2000 Gonzalez D9/531
D433,636 S * 11/2000 Gonzalez D9/531
D474,692 S * 5/2003 Yu D9/531
D496,222 S * 9/2004 Kleckauskas D7/507
D508,651 S * 8/2005 Harrell D9/531
D531,512 S * 11/2006 Yu D9/531
D563,791 S * 3/2008 Kleckauskas D9/531
D646,045 S * 9/2011 Stamper D99/35
D651,854 S * 1/2012 Cabados D7/510
D653,113 S * 1/2012 Yourist D9/531



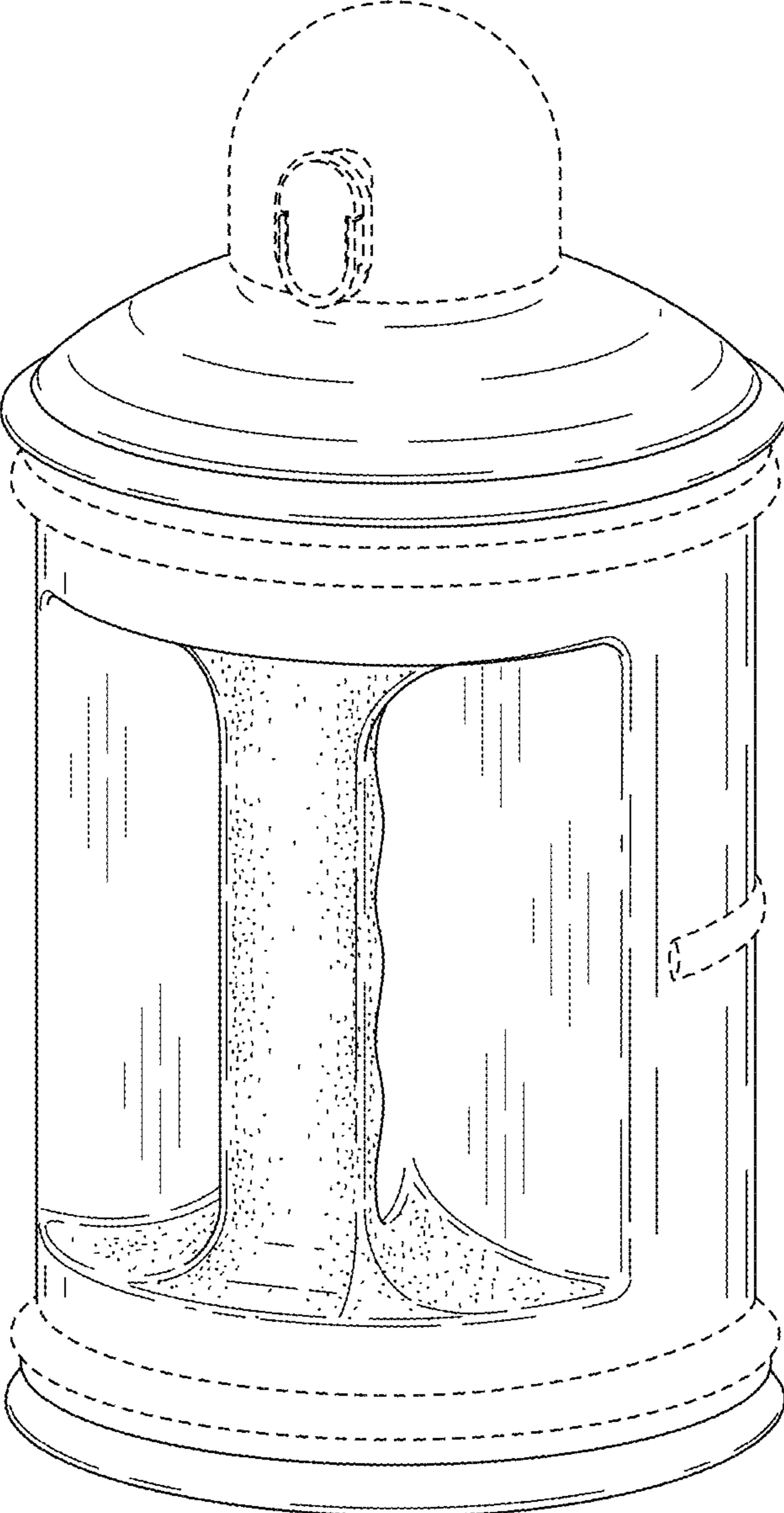


Fig. 1

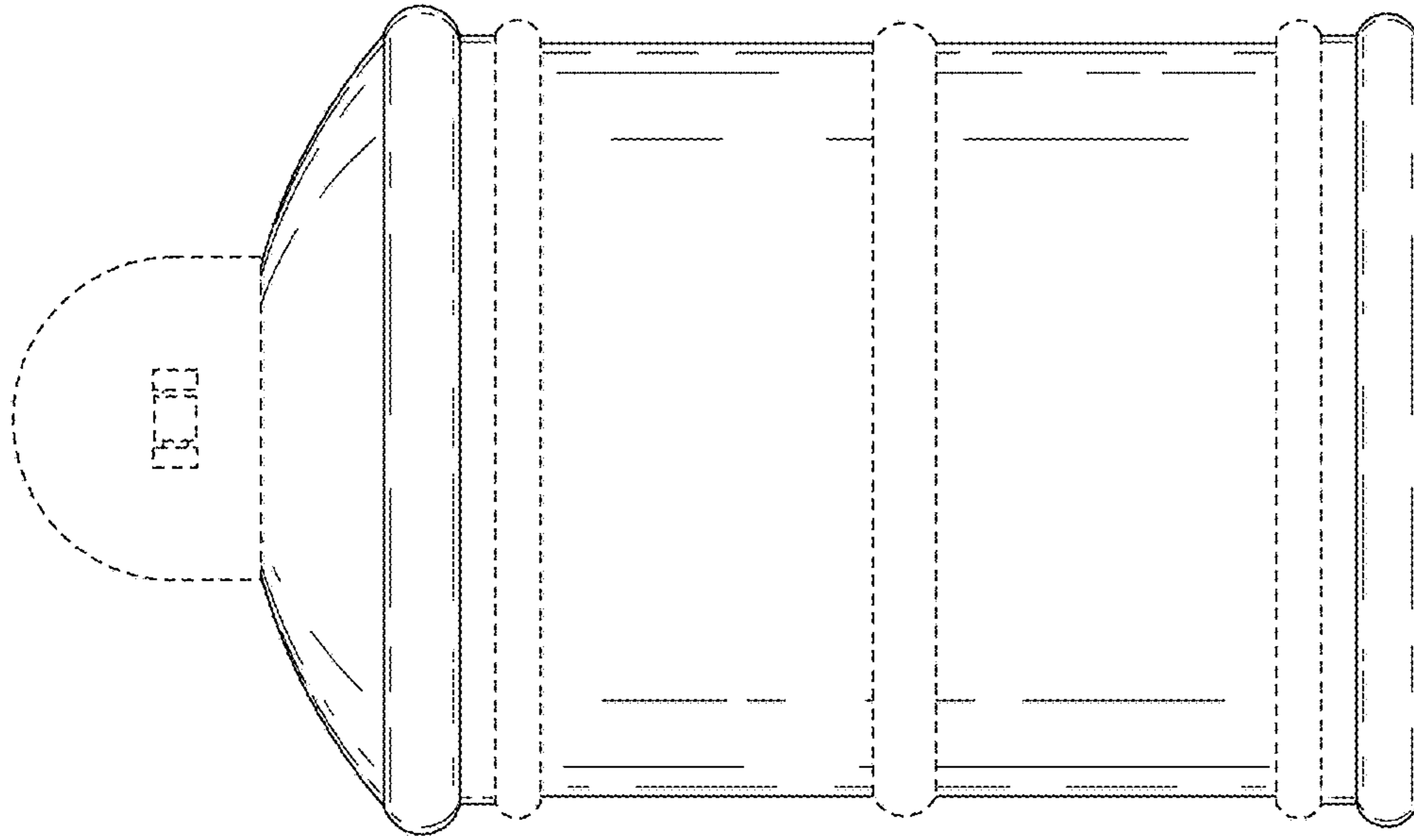


Fig. 3

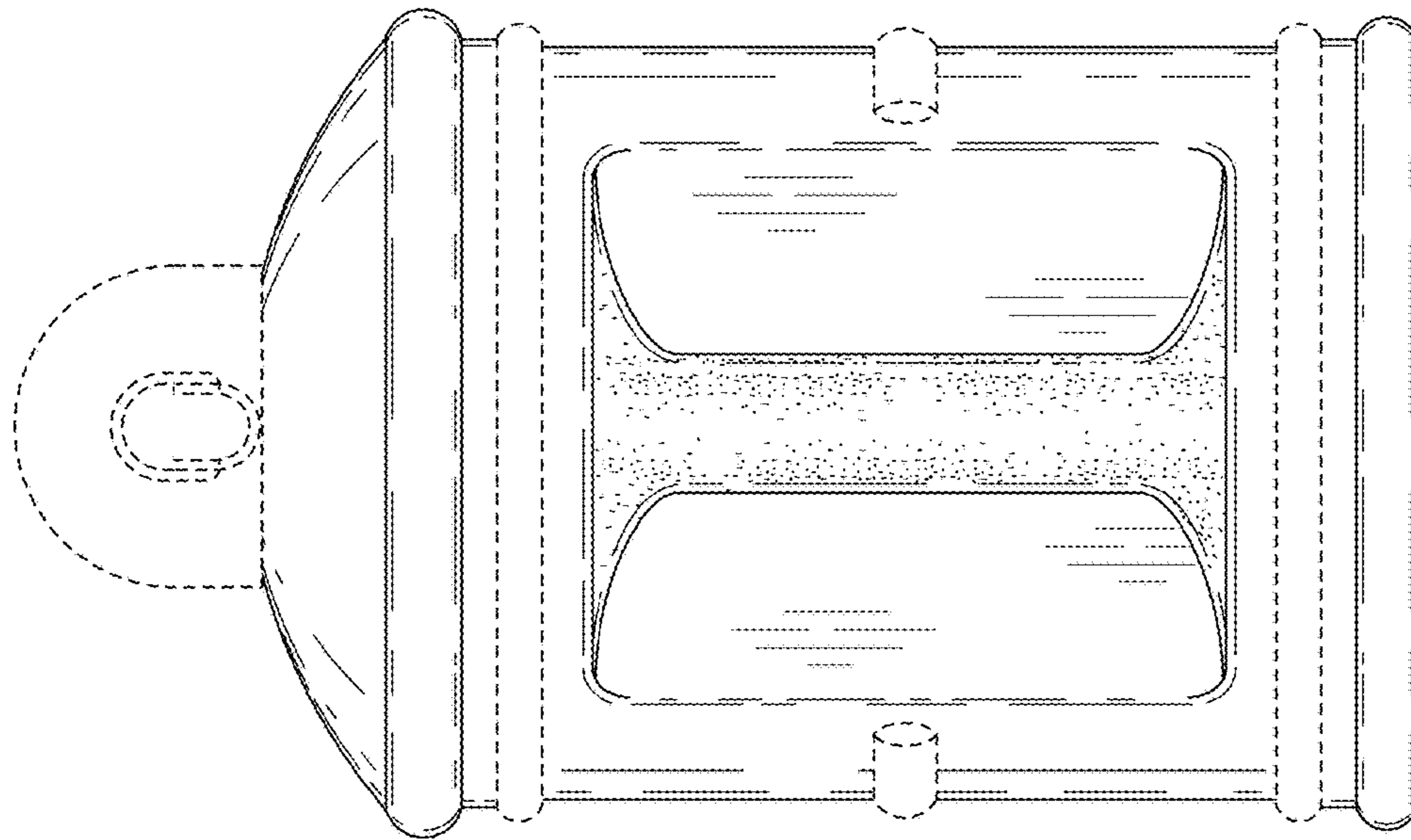


Fig. 2

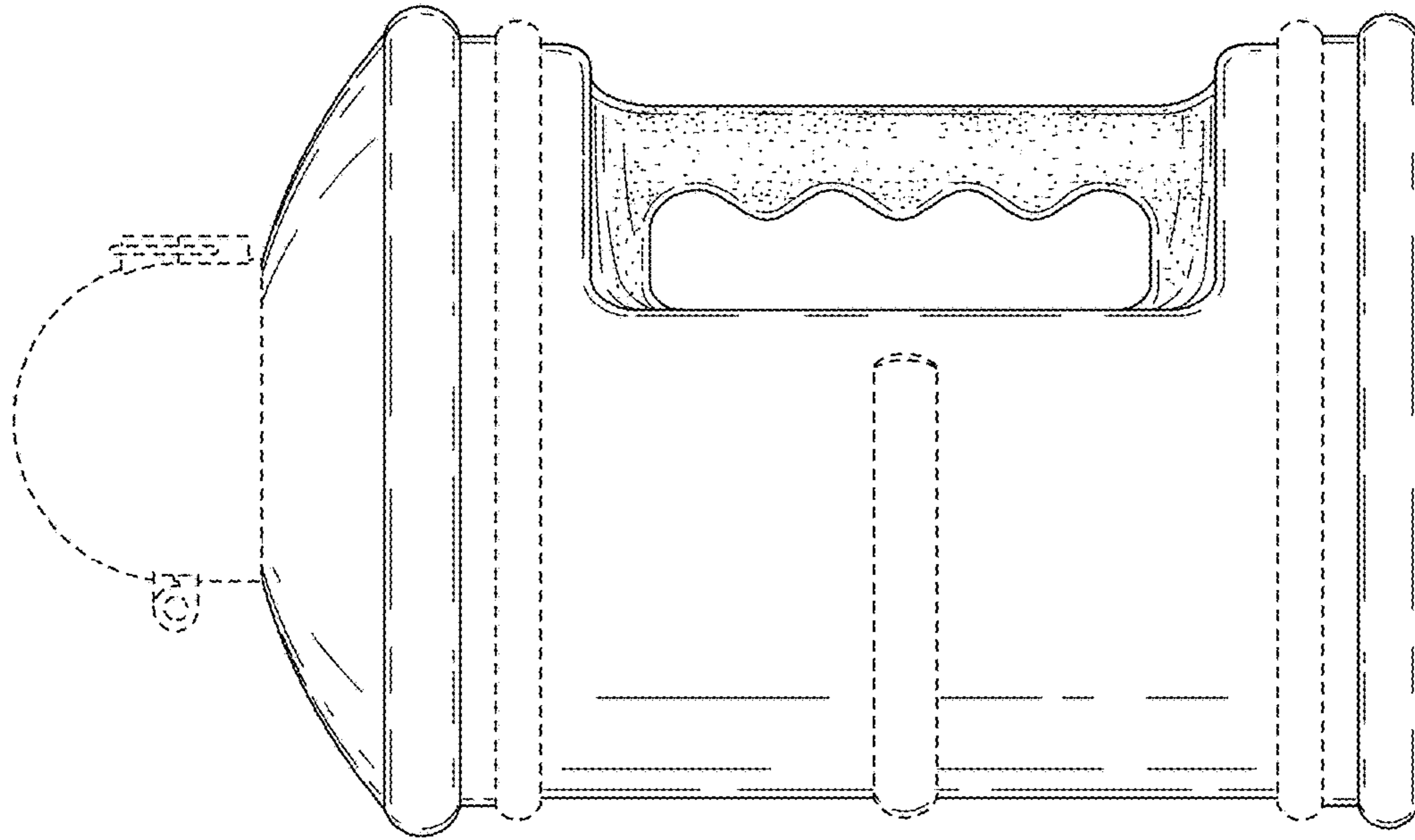


Fig. 5

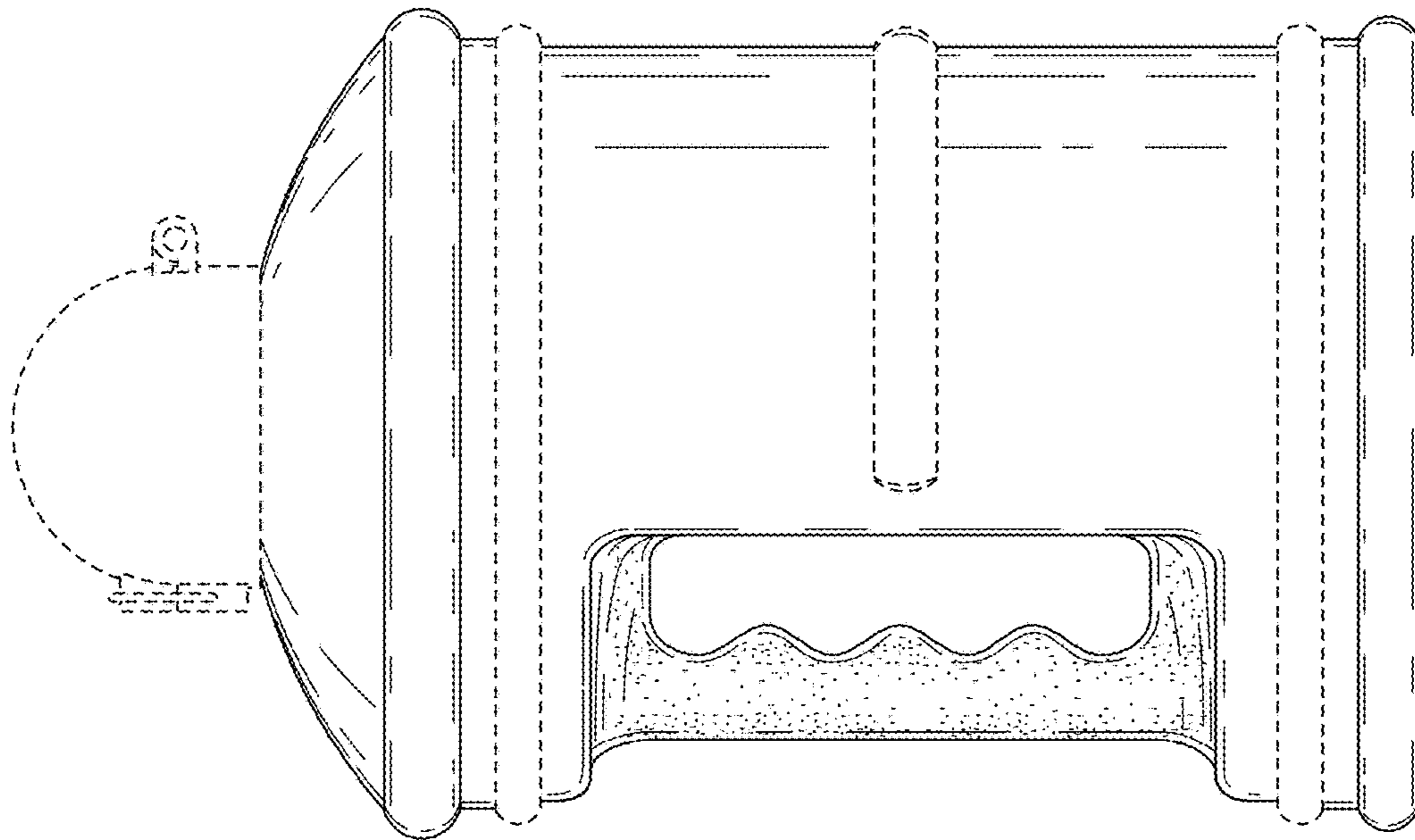


Fig. 4

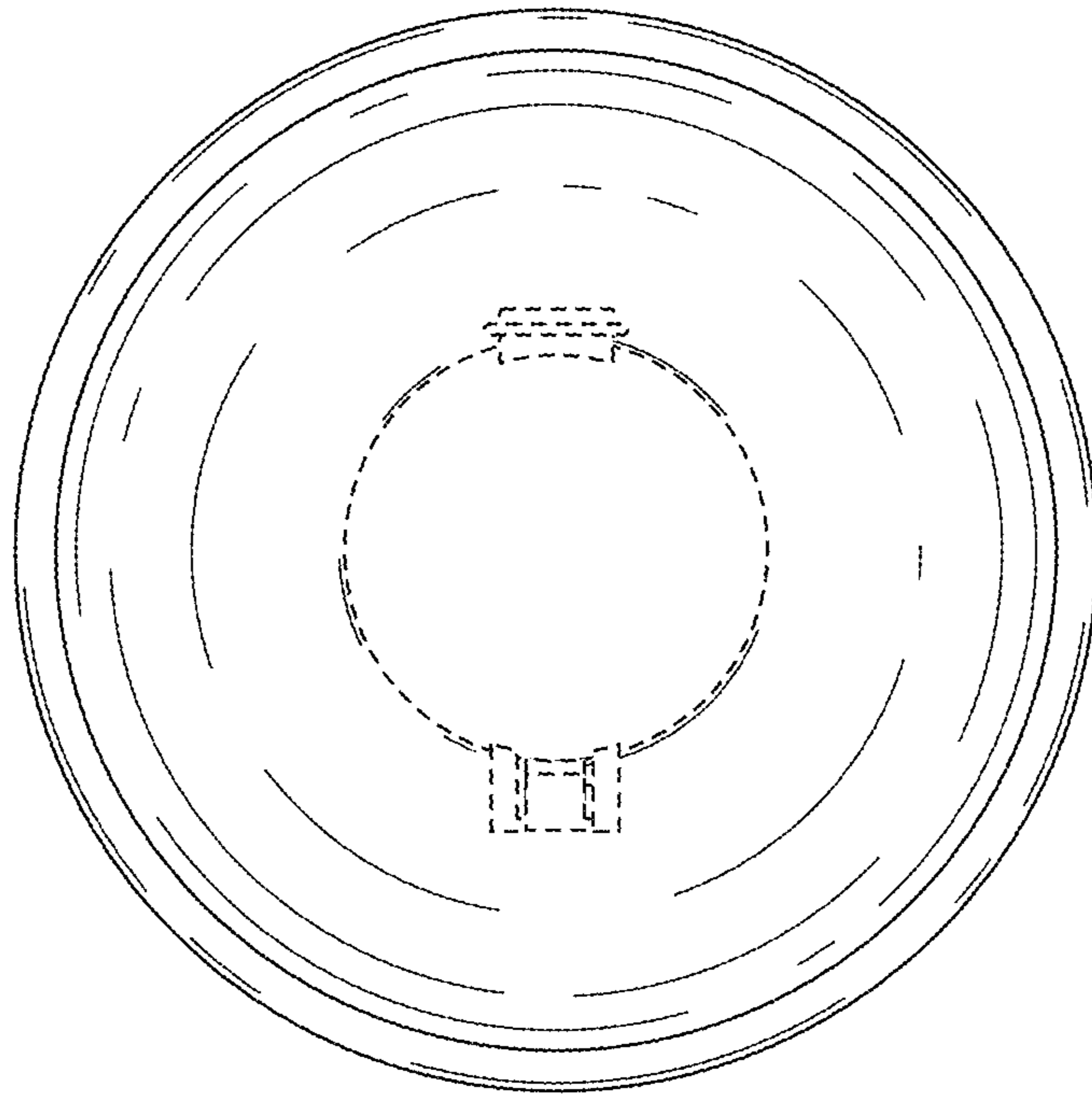


Fig. 6

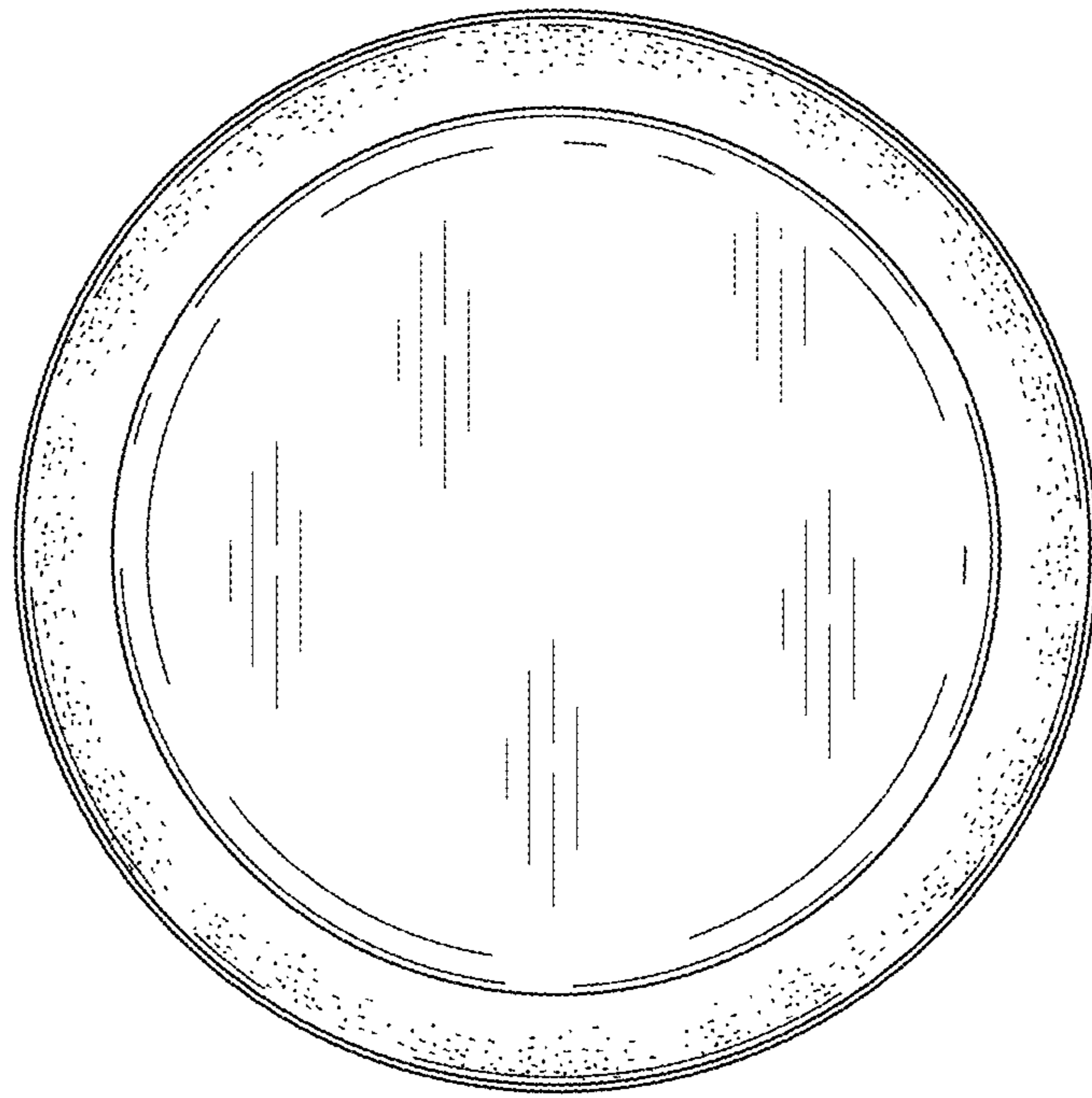


Fig. 7