



US00D816409S

(12) **United States Design Patent**
Sawyer et al.

(10) **Patent No.:** **US D816,409 S**

(45) **Date of Patent:** **** *May 1, 2018**

- (54) **BOTTLE**
- (71) Applicants: **Duane Sawyer**, York, PA (US); **Bob Holmes**, York, PA (US)
- (72) Inventors: **Duane Sawyer**, York, PA (US); **Bob Holmes**, York, PA (US)
- (*) Notice: This patent is subject to a terminal disclaimer.
- (**) Term: **15 Years**
- (21) Appl. No.: **29/539,853**
- (22) Filed: **Sep. 17, 2015**
- (51) **LOC (11) Cl.** **07-01**
- (52) **U.S. Cl.**
USPC **D7/510**; D7/511; D7/532; D9/557;
D9/502; D9/503
- (58) **Field of Classification Search**
USPC D7/500, 501, 505, 507, 509, 510, 511,
D7/512, 523, 532, 534, 608, 607, 550.1,
D7/553.1, 553.2, 554.3, 555, 669, 667;
D9/414, 430, 431, 740, 759, 756, 440,
D9/551, 556, 559, 562, 569, 504, 503,
D9/447, 523, 516, 541, 530, 563, 570,
D9/565, 557, 502; D3/203.3, 203.2, 205,
D3/283, 202, 288, 903, 901; D28/77, 83,
D28/4; D19/77, 92, 81, 90, 95, 65, 102,
D19/103, 105, 106, 107, 109; D6/301;
215/388, 387, 382; 220/703, 669, 667,
220/62.12, 592.16, 592.17, 666; D24/197
CPC .. A47G 19/30; A47G 19/022; A47G 23/0608;
A47G 23/0633; A47G 23/06; A47G
2019/2277; A45F 2003/205; B65D
21/086; B65D 1/0292; Y10S 215/90
See application file for complete search history.

2,534,614 A	12/1950	Michael	
2,816,548 A	12/1957	Tupper	
3,331,521 A *	7/1967	Paige	B65D 85/307
			206/433
D231,087 S *	4/1974	Edwards	D9/503
4,096,966 A	6/1978	Korshak	
4,243,156 A *	1/1981	Lobbestael	B65D 47/10
			220/265
4,303,170 A	12/1981	Panicci	
4,756,440 A	7/1988	Gartner	
5,079,013 A	1/1992	Belanger	
D387,247 S *	12/1997	Randolph	D7/510
D440,498 S *	4/2001	Buxton	D9/538
D451,760 S *	12/2001	Fox	D7/510
D464,264 S *	10/2002	Edson	D9/502
D475,890 S *	6/2003	Mazonkey	D13/168
D535,563 S *	1/2007	Martin	D9/500
D545,194 S *	6/2007	Goudsblom	D9/502

(Continued)

Primary Examiner — Marianne Pandozzi
Assistant Examiner — Jae Liang
 (74) *Attorney, Agent, or Firm* — Muskin and Farmer LLC

(57) **CLAIM**

The ornamental design for a bottle, as shown and described.

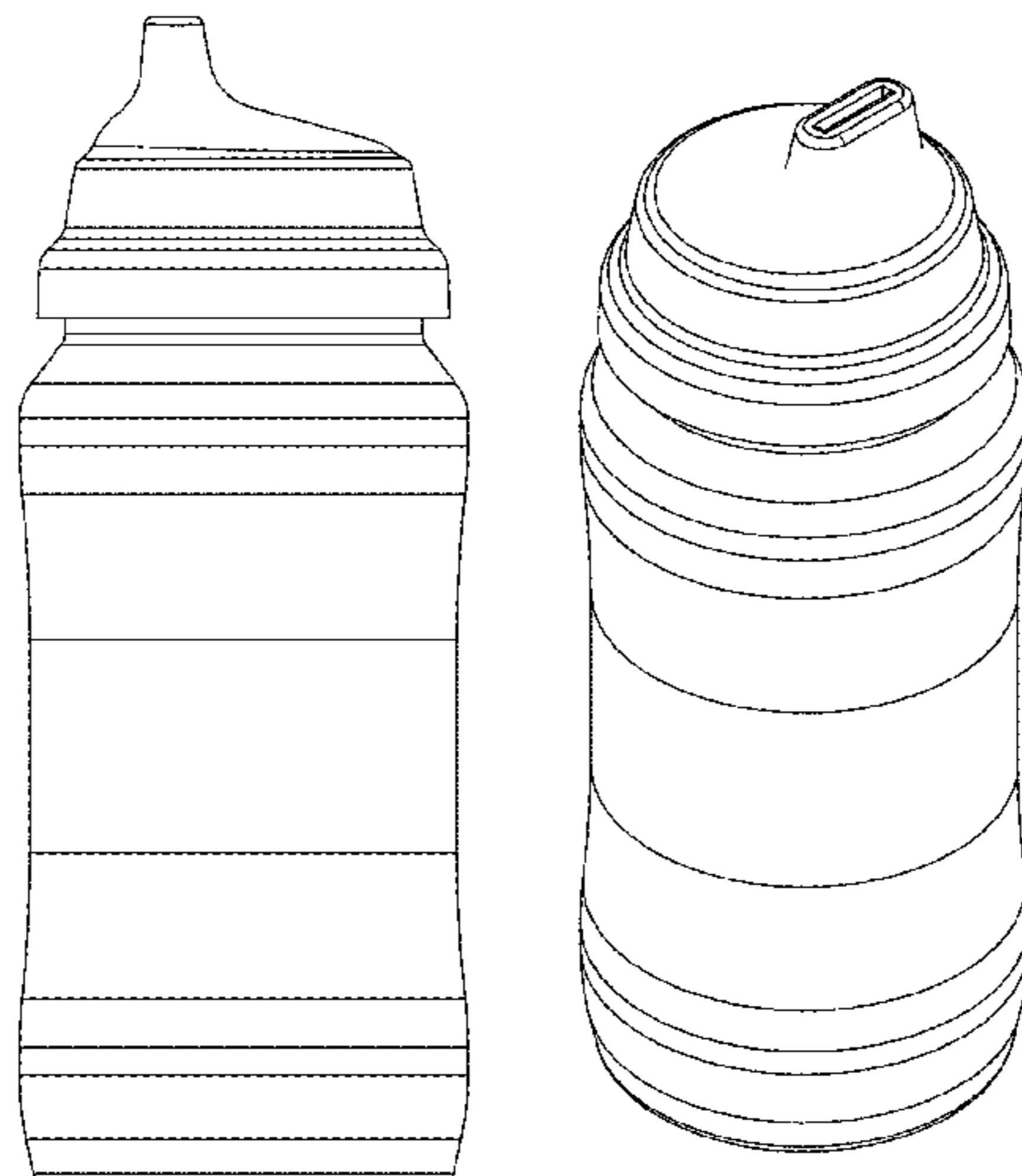
DESCRIPTION

FIG. 1 is a right side view of a bottle showing our new design;
 FIG. 2 is a rear view of the bottle;
 FIG. 3 is a top view of the bottle;
 FIG. 4 is a left side view of the bottle;
 FIG. 5 is a front view of the bottle;
 FIG. 6 is a first top perspective view of the bottle;
 FIG. 7 is a first bottom perspective view of the bottle;
 FIG. 8 is a second bottom perspective view of the bottle;
 FIG. 9 is a second top perspective view of the bottle; and,
 FIG. 10 is a bottom view of the bottle.

1 Claim, 4 Drawing Sheets

(56) **References Cited**
 U.S. PATENT DOCUMENTS

4,138 A 8/1845 Pratt
 1,865,555 A 7/1932 Brown



(56)

References Cited

U.S. PATENT DOCUMENTS

D561,522	S	*	2/2008	Gordon	D7/392
D573,462	S	*	7/2008	Karam	D9/447
D579,721	S	*	11/2008	Qian	D7/507
D642,471	S	*	8/2011	White	D9/502
D656,788	S	*	4/2012	Sakulsacha	D24/197
D667,558	S	*	9/2012	Hakim	D24/193
8,540,112	B2		9/2013	Connors		
D698,428	S	*	1/2014	Sands	D23/314
D703,048	S	*	4/2014	Lopez	D9/500
D703,049	S	*	4/2014	Riley	D9/500
D703,050	S	*	4/2014	Lopez	D9/441
D703,051	S	*	4/2014	Riley	D9/441
D703,538	S	*	4/2014	Paredes	D9/500
D713,671	S	*	9/2014	De Leo	D7/392.1
D717,107	S	*	11/2014	Dunn	D7/396.2
D726,539	S	*	4/2015	Paredes	D9/500
D732,338	S	*	6/2015	Boroski	D7/507
D747,145	S	*	1/2016	Struckmeier	D7/510
D766,721	S	*	9/2016	Meador	D9/500
D777,520	S	*	1/2017	Singlaub	D7/512
D779,886	S	*	2/2017	Singlaub	D7/512

* cited by examiner

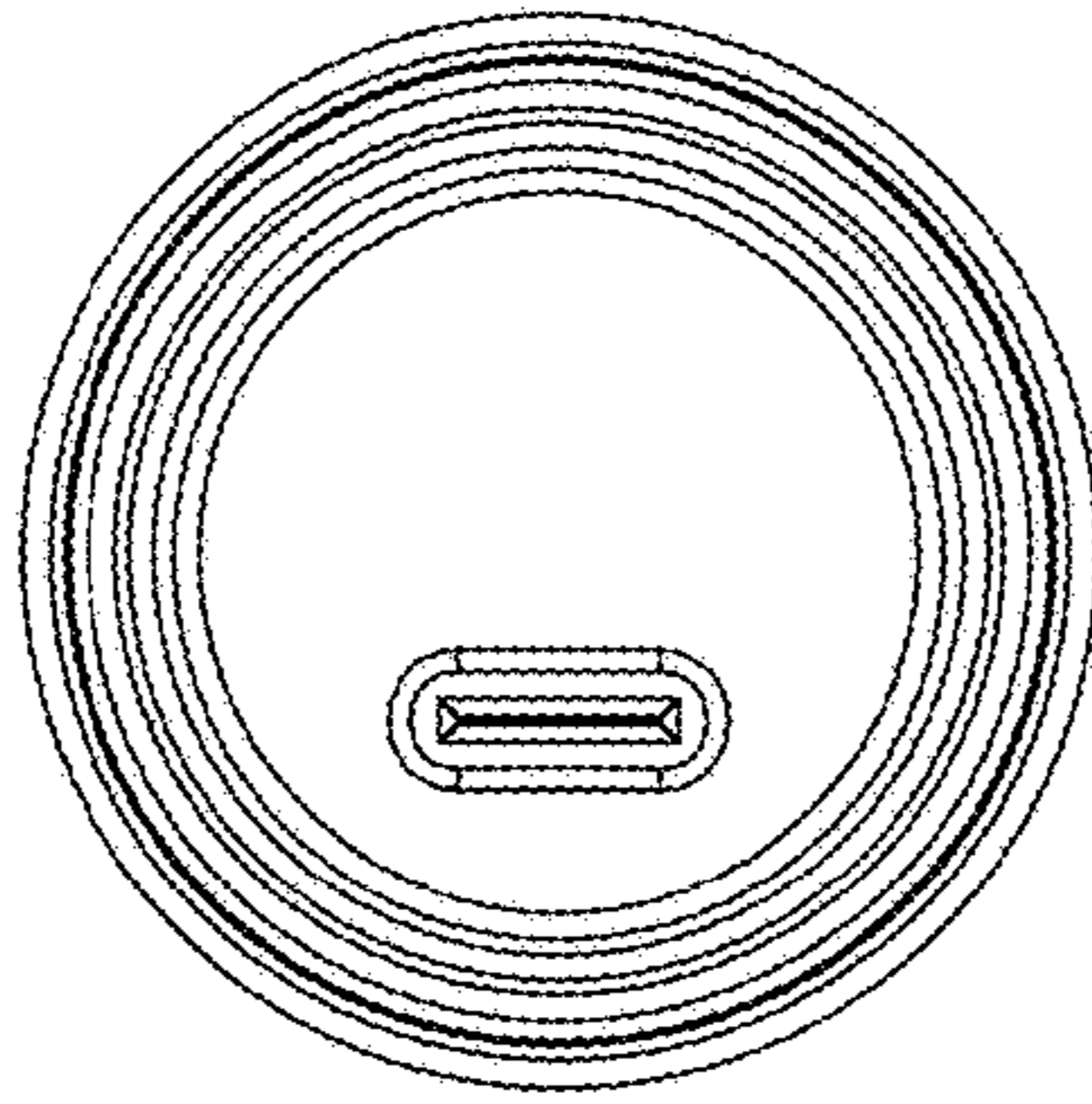


FIG. 3

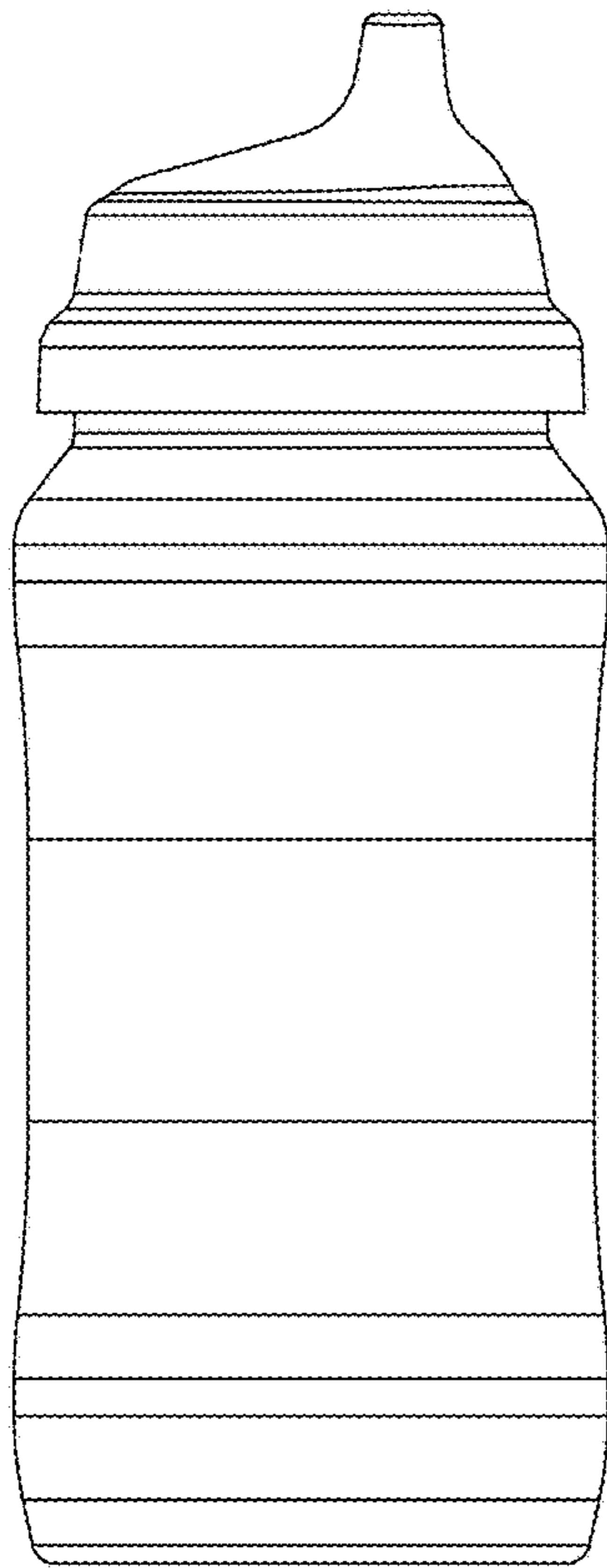


FIG. 1

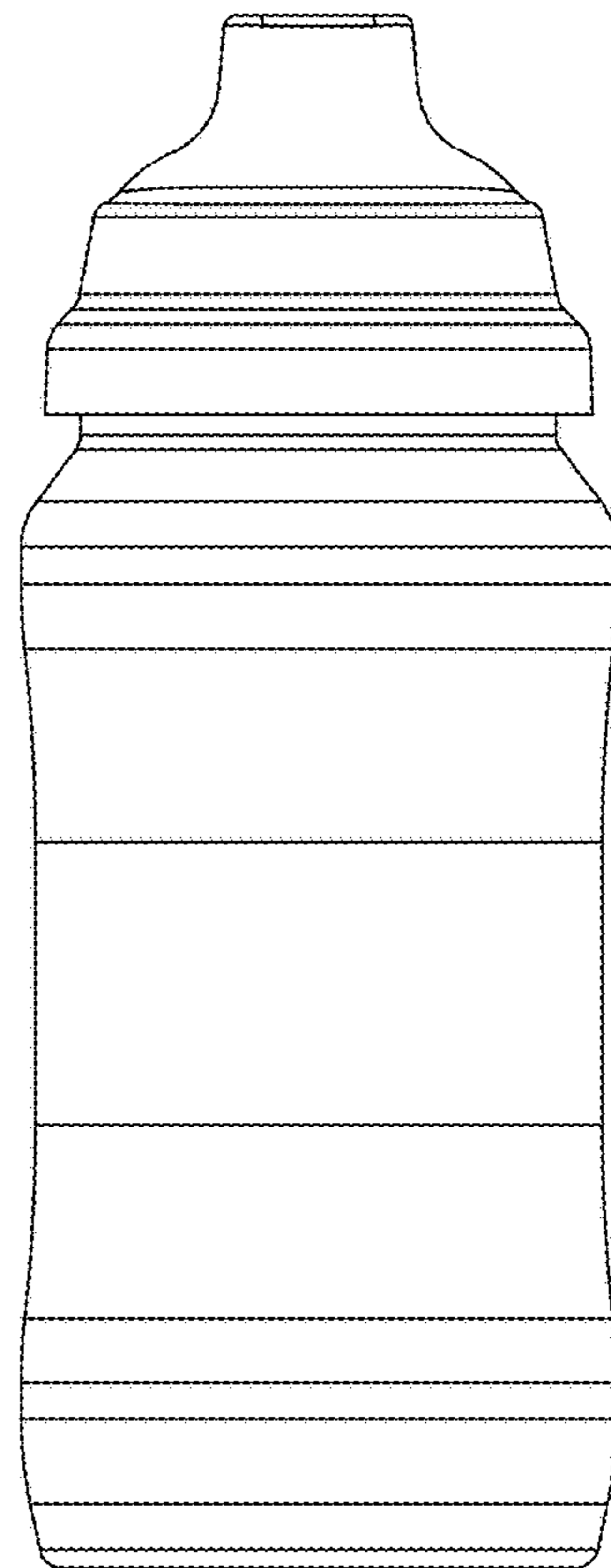


FIG. 2

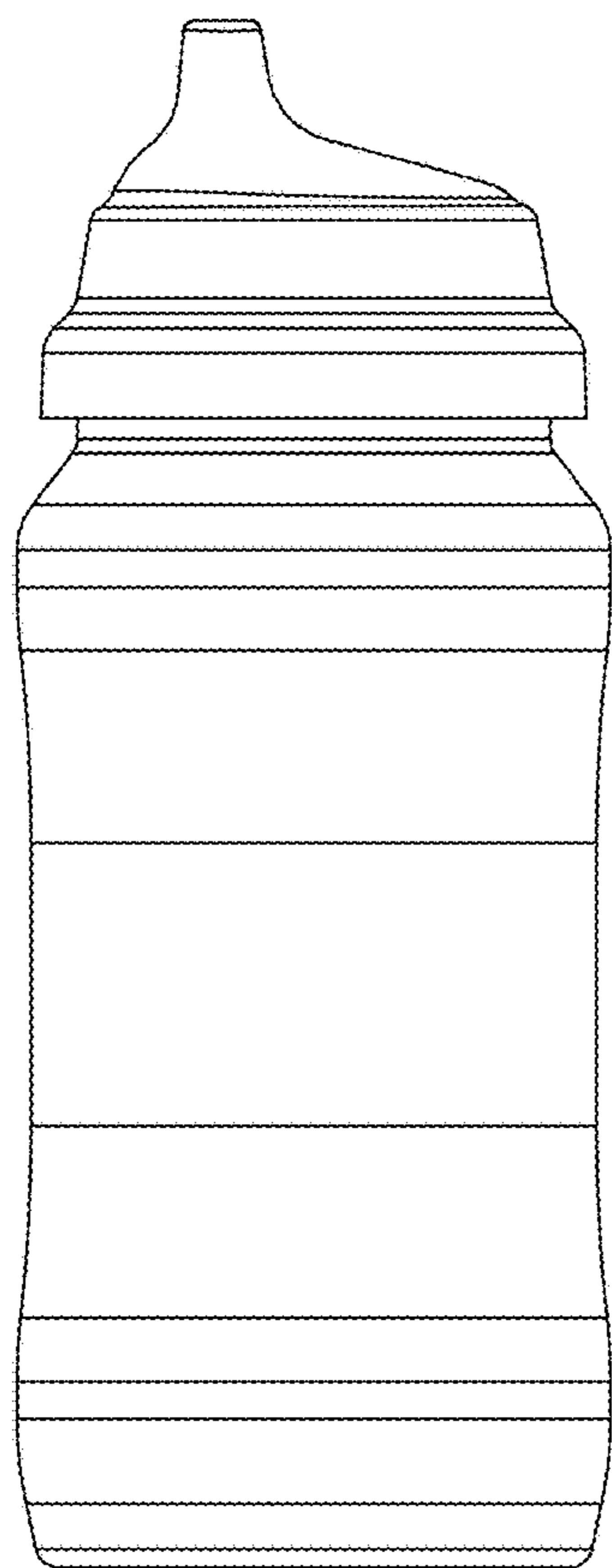


FIG. 4

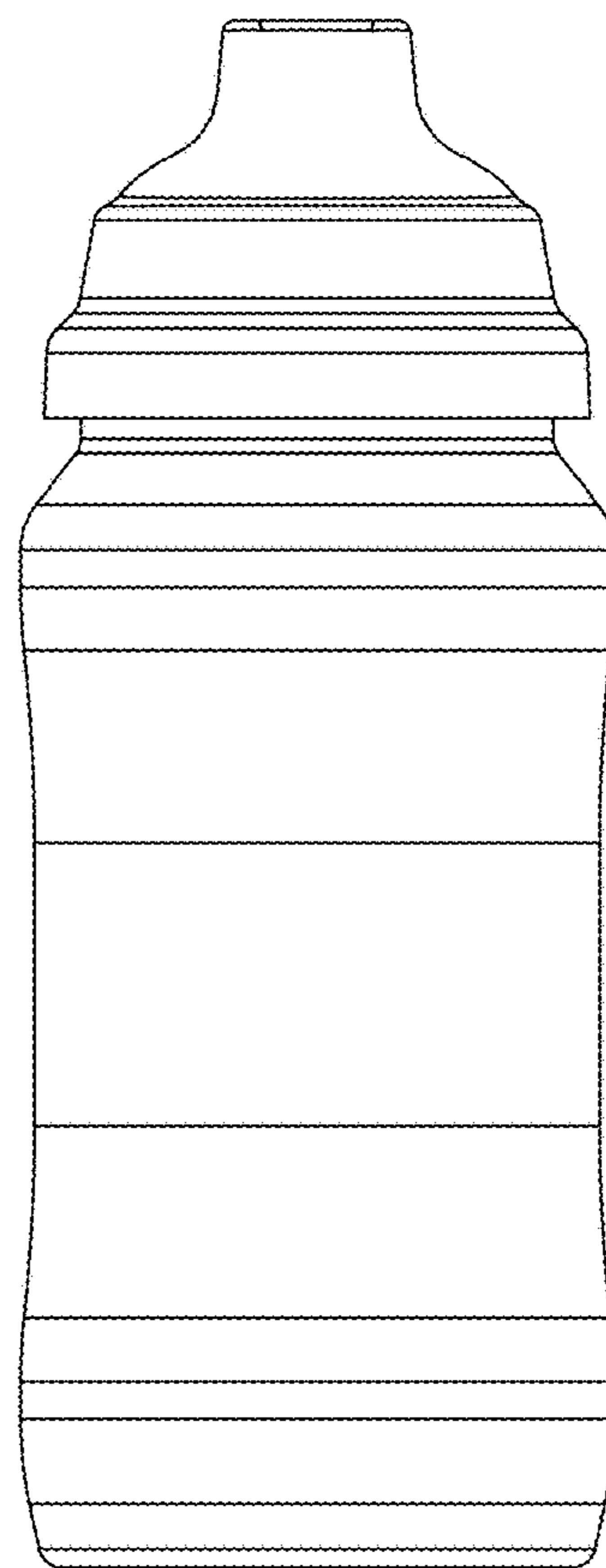


FIG. 5

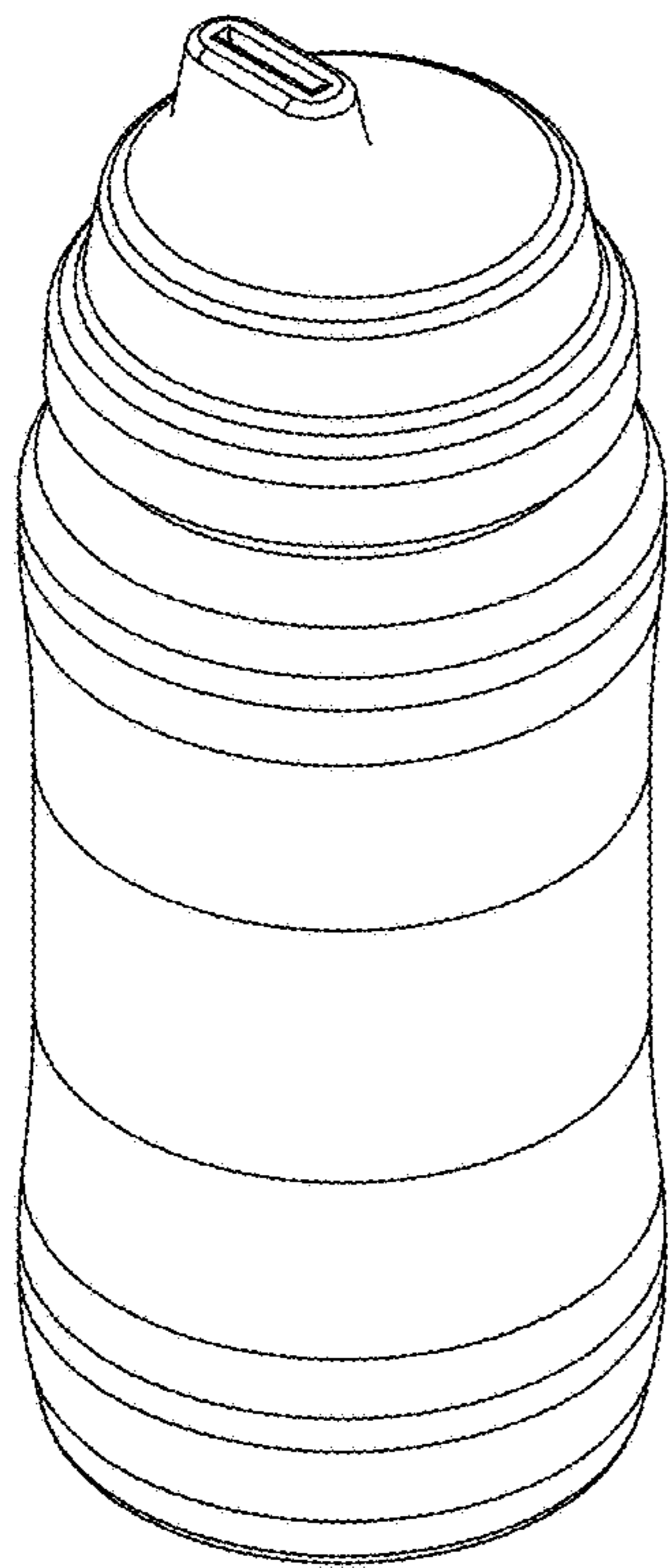


FIG. 6

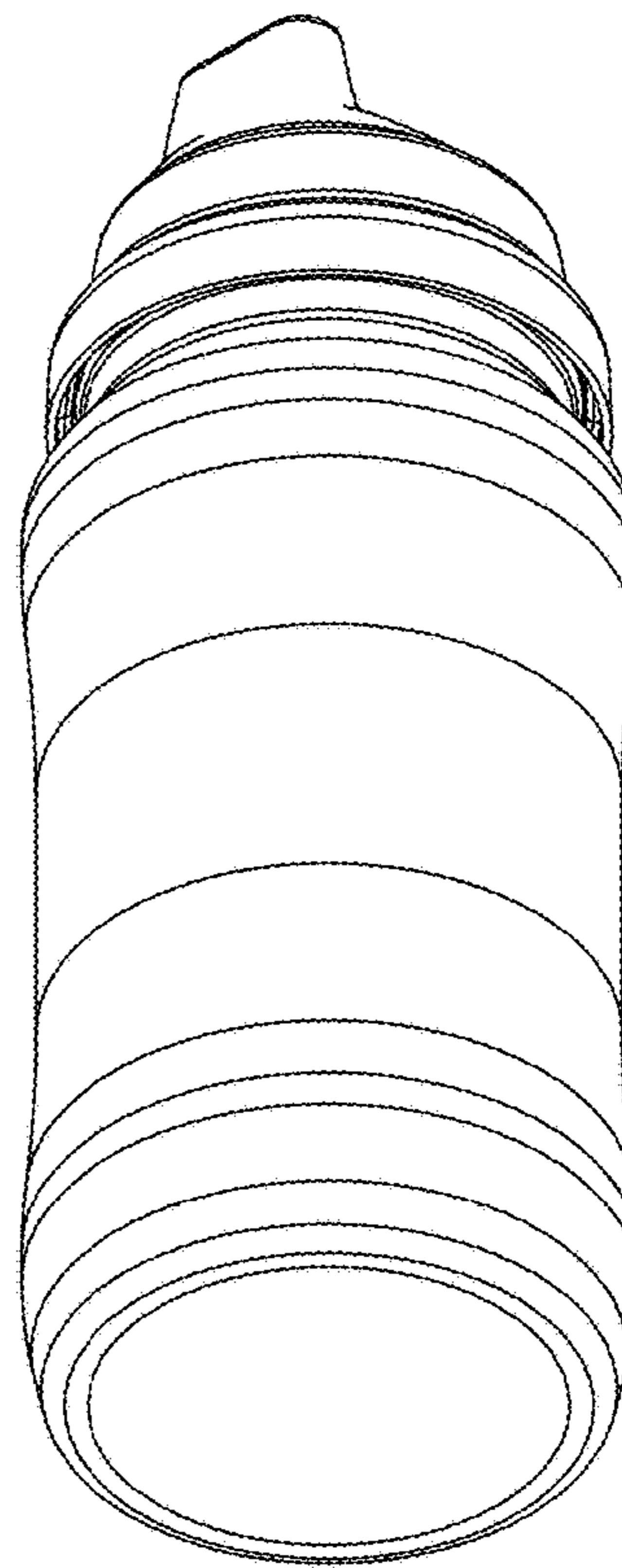


FIG. 7

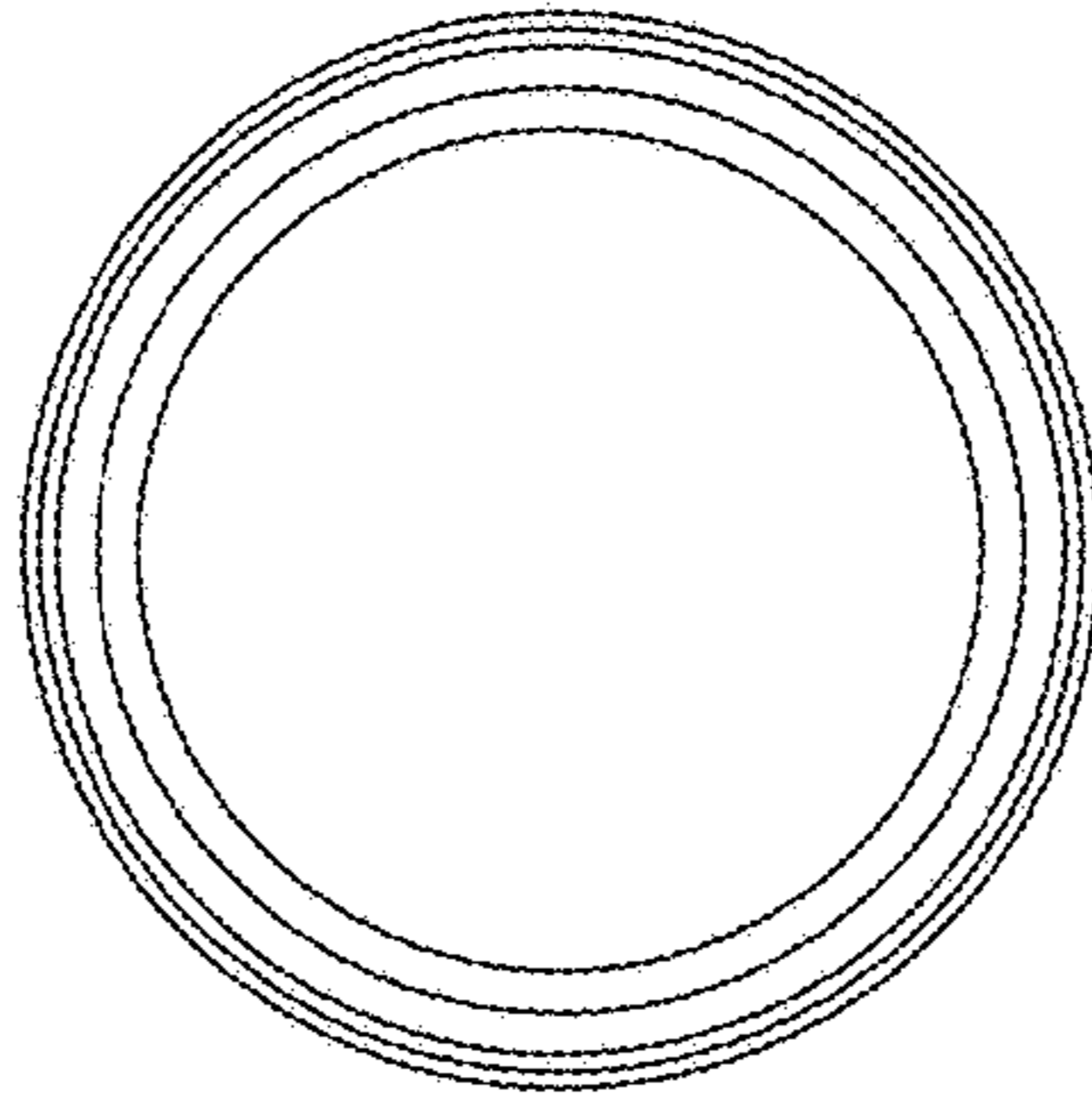


FIG. 10

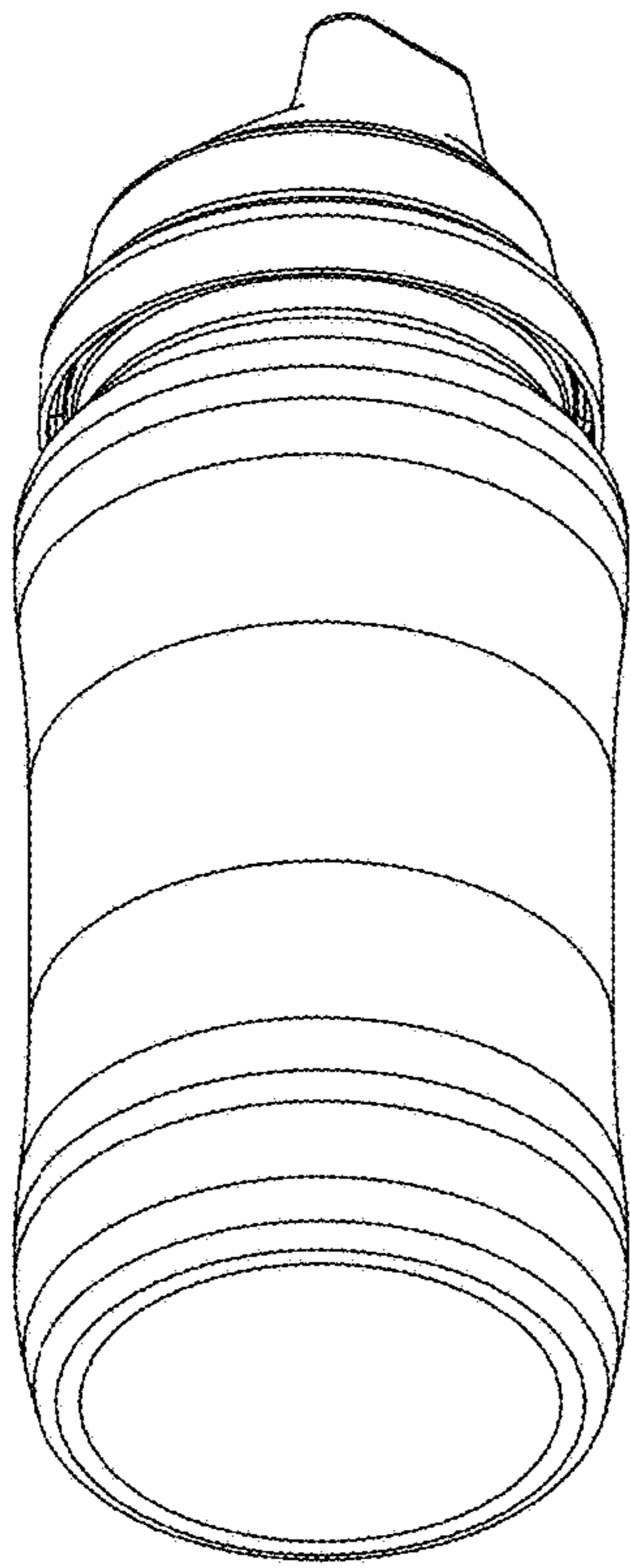


FIG. 8

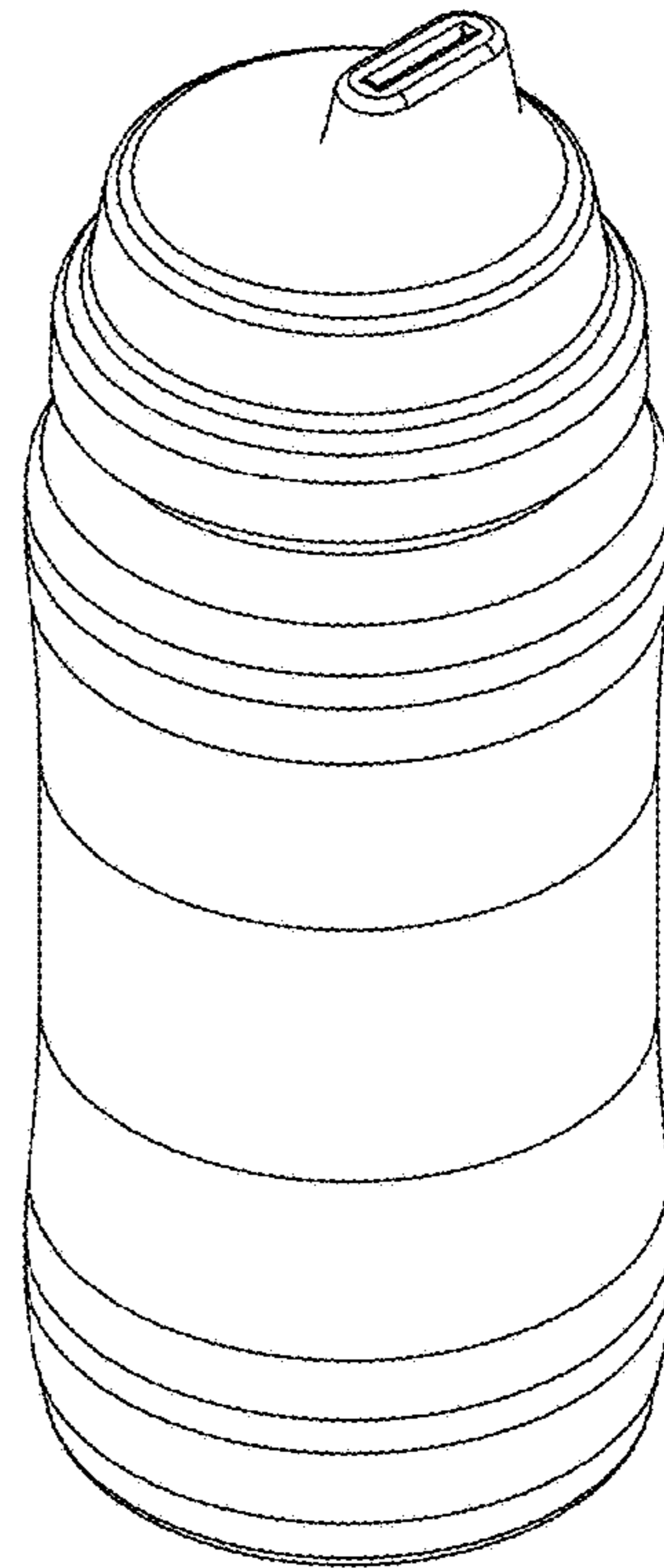


FIG. 9