



US00D816407S

(12) **United States Design Patent** (10) **Patent No.:** **US D816,407 S**  
**Cottam et al.** (45) **Date of Patent:** **\*\* May 1, 2018**

(54) **DOUGH BLADE KITCHEN MIXER ATTACHMENT**

(71) Applicants: **Steven Cottam**, Ivins, UT (US); **Phillip Dietz**, Saint George, UT (US)

(72) Inventors: **Steven Cottam**, Ivins, UT (US); **Phillip Dietz**, Saint George, UT (US)

(\*\*) Term: **15 Years**

(21) Appl. No.: **29/597,090**

(22) Filed: **Mar. 14, 2017**

**Related U.S. Application Data**

(62) Division of application No. 14/478,075, filed on Sep. 5, 2014, now Pat. No. 9,724,698.

(51) **LOC (11) Cl.** ..... **31-00**

(52) **U.S. Cl.**  
USPC ..... **D7/412; D7/376; D7/378; D7/384**

(58) **Field of Classification Search**

USPC ..... **D7/372, 376-386, 412-413, 602, 629, D7/665-666, 669, 679, 693-694**

CPC ..... **A21C 1/02; A21C 1/04; A21C 1/1405; A23N 1/00; A23N 1/02; A47J 43/04; A47J 43/25; A47J 43/27; A47J 43/042; A47J 43/044; A47J 43/046; A47J 43/075; A47J 43/0722; A47J 43/0727; A47J 43/082; B01F 3/00; B01F 3/0807; B01F 3/0853; B01F 7/00208; B01F 7/00291; B01F 7/00325; B01F 7/30; B01F 7/161; B01F 13/0059; B01F 13/0064; B02C 1/08; B02C 2/04; B02C 4/42; B02C 4/142; B02C 4/143;**

(Continued)

(56) **References Cited**

**U.S. PATENT DOCUMENTS**

1,175,530 A \* 3/1916 Kirchhoff ..... B01F 7/30  
366/197  
1,826,242 A \* 10/1931 Dehuff ..... A21C 1/1405  
366/343

(Continued)

**OTHER PUBLICATIONS**

Photo taken on Mar. 9, 2017; Attached to application.

*Primary Examiner* — Ricky Pham

(74) *Attorney, Agent, or Firm* — Zachary D. Renstrom

(57) **CLAIM**

The ornamental design for a dough blade kitchen mixer attachment, as shown and described.

**DESCRIPTION**

FIG. 1 is a side prospective elevational view of our new design;

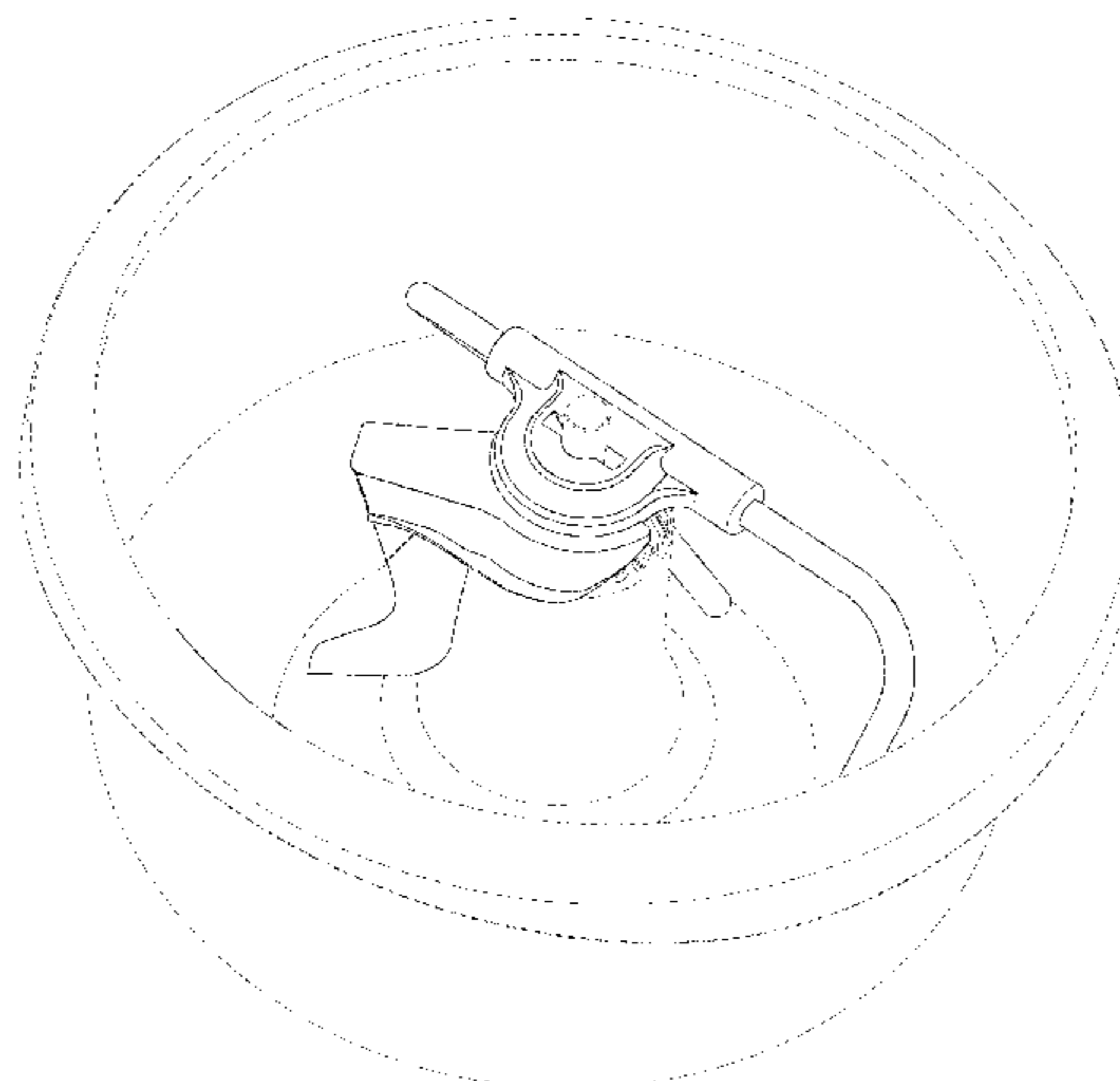
FIG. 2 is an elevated and side prospective elevational view of our new design;

FIG. 3 is an elevated and side prospective elevational view of the invention inserted into a kitchen mixer bowl, the broken lines showing a typical kitchen mixer bowl that the dough blade kitchen mixer attachment is inserted in and use for illustrative purposes only and forming no part of the claimed design thereof;

FIG. 4 is a side prospective elevational view of our new design;

FIG. 5 is a top prospective elevation view of our new design; FIG. 6 is a side view of the invention exploded from a kitchen mixer, the broken lines showing a typical kitchen mixer bowl that the dough blade kitchen mixer attachment would be inserted in and use for illustrative purposes only and forming no part of the claimed design thereof; and, FIG. 7 is top view of the invention inserted into a kitchen mixer bowl, the broken lines showing a typical kitchen mixer bowl that the dough blade kitchen mixer attachment is inserted in and use for illustrative purposes only and forming no part of the claimed design thereof.

**1 Claim, 5 Drawing Sheets**



(58) **Field of Classification Search**

CPC ..... B02C 4/423; B02C 13/1835; B28C 5/10;  
B28C 5/12; B28C 5/14; B28C 5/16

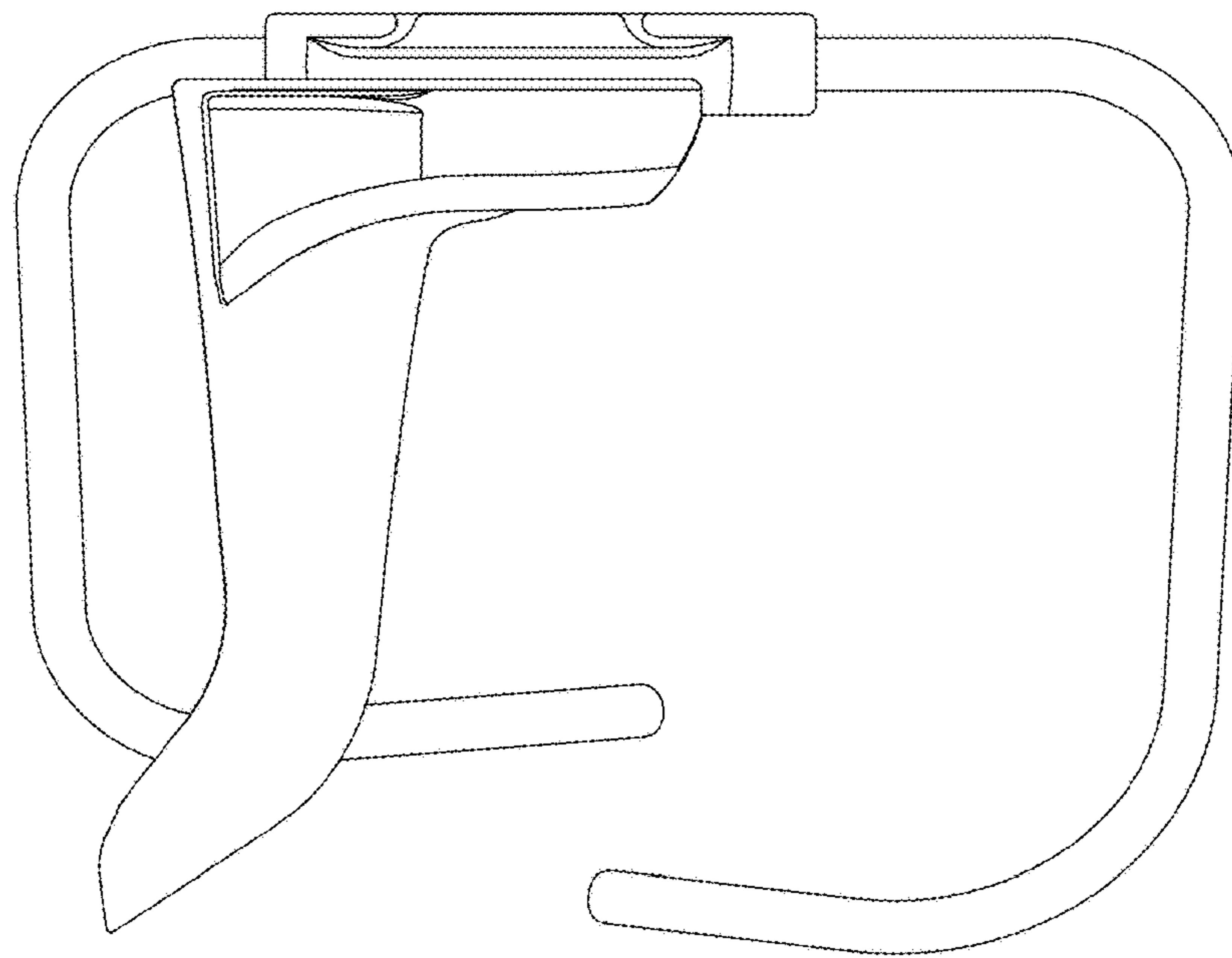
See application file for complete search history.

(56) **References Cited**

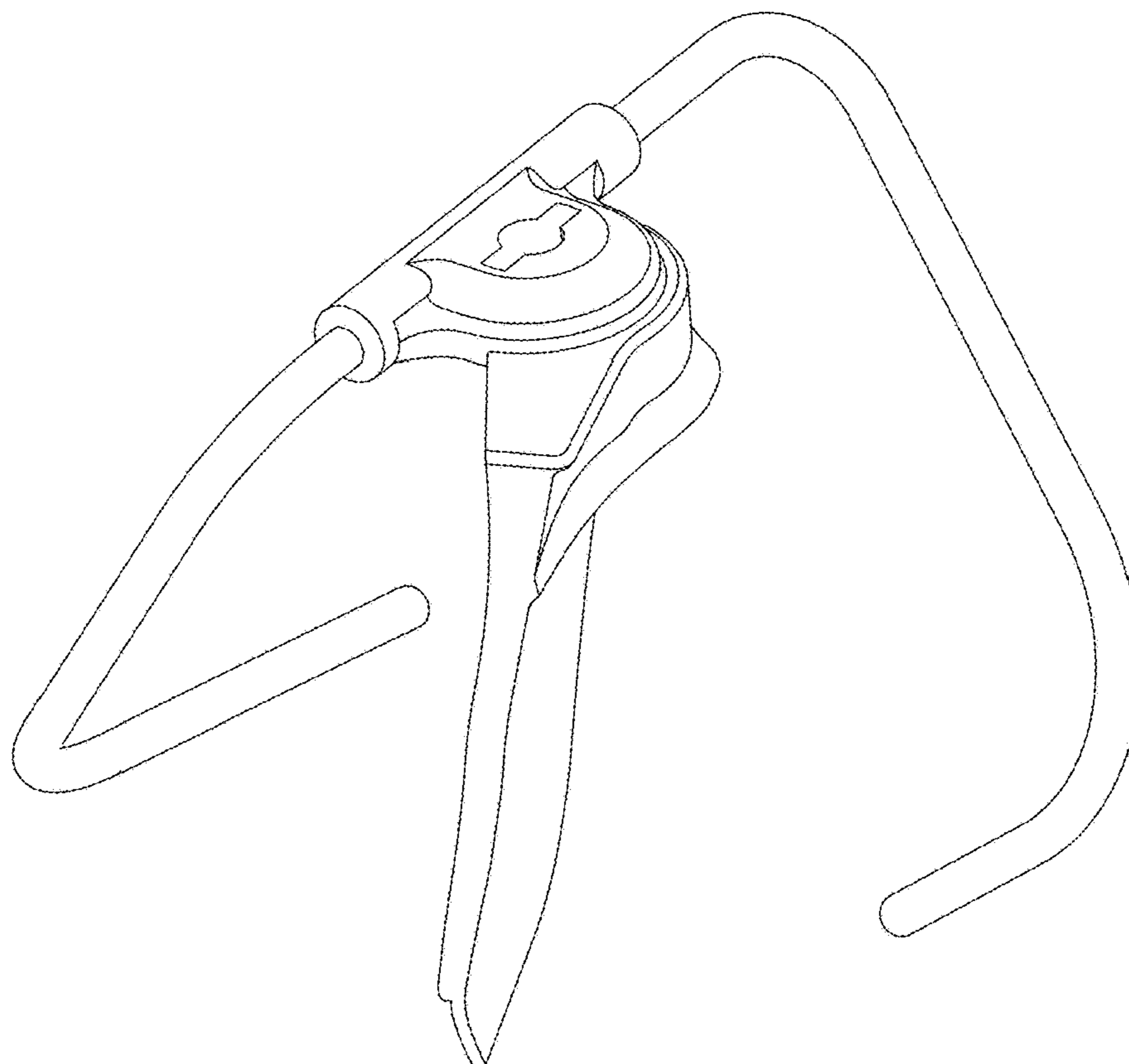
U.S. PATENT DOCUMENTS

2,306,245 A \* 12/1942 Duke ..... B01F 7/00325  
366/197  
3,995,840 A \* 12/1976 Smader ..... A47J 43/044  
366/100  
5,549,384 A \* 8/1996 Reynolds ..... B01F 7/161  
366/143  
6,652,137 B1 \* 11/2003 Bosch ..... B01F 7/00291  
366/288  
7,021,817 B2 \* 4/2006 Huang ..... A47J 43/082  
366/331  
7,708,257 B2 \* 5/2010 Schmidt ..... B01F 7/00208  
261/84  
D664,393 S \* 7/2012 Dietz ..... D7/376  
D730,690 S \* 6/2015 Cottam ..... D7/376  
D742,171 S \* 11/2015 Conti ..... A47J 36/16  
D7/376  
D795,641 S \* 8/2017 Spencer ..... D7/412  
2009/0110788 A1 \* 4/2009 Ciancimino ..... A21C 1/02  
426/231

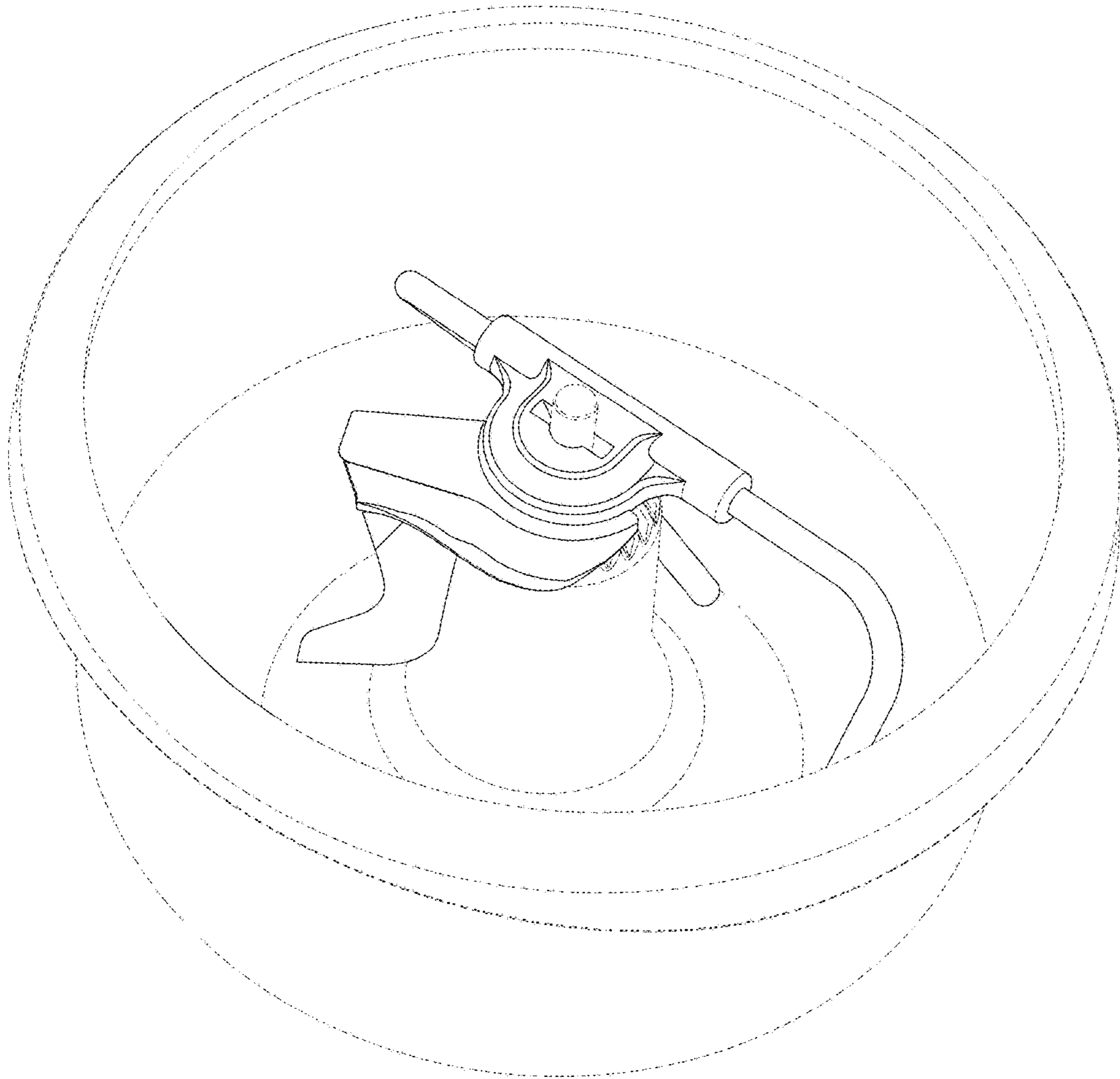
\* cited by examiner



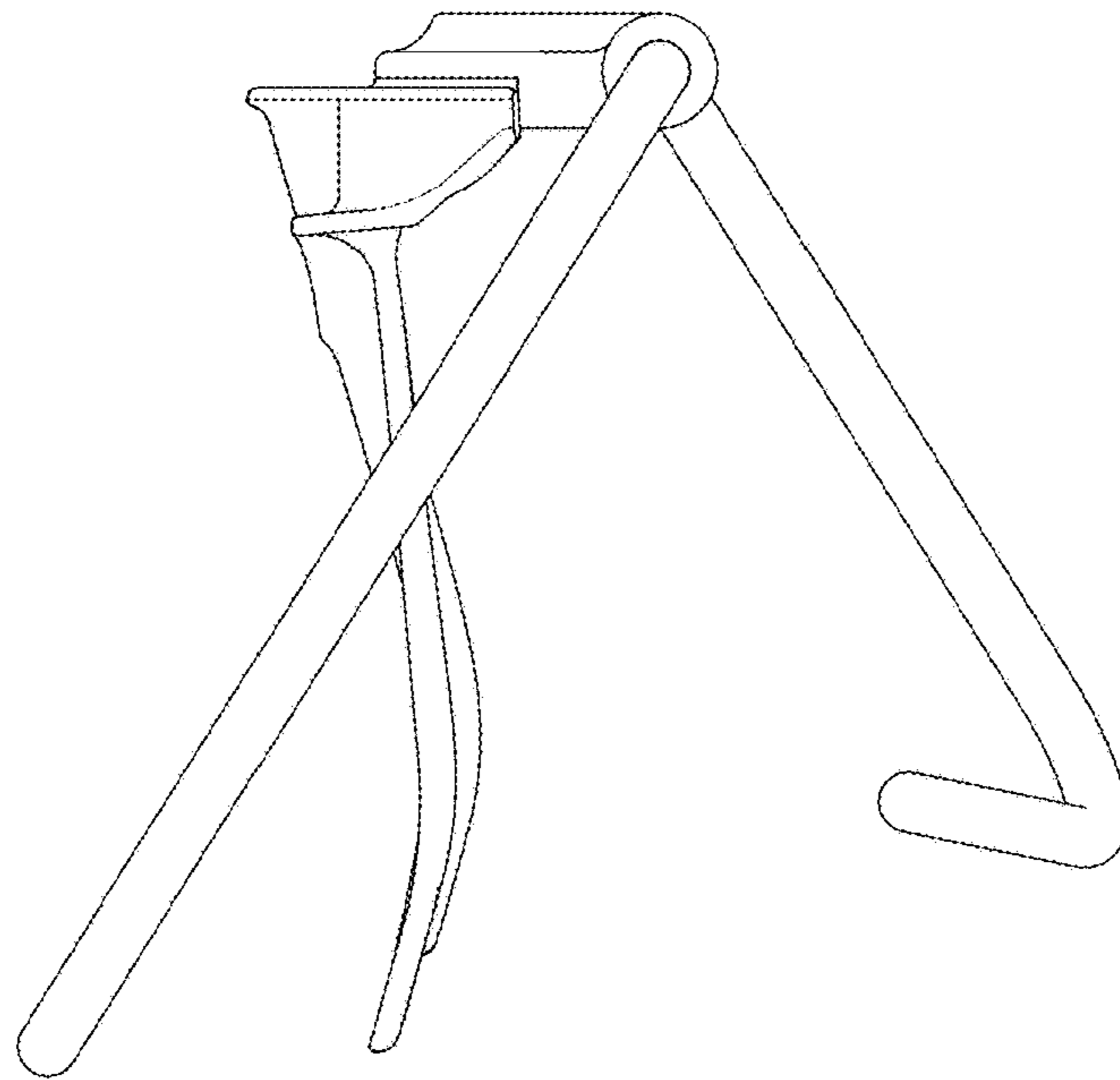
**FIG. 1**



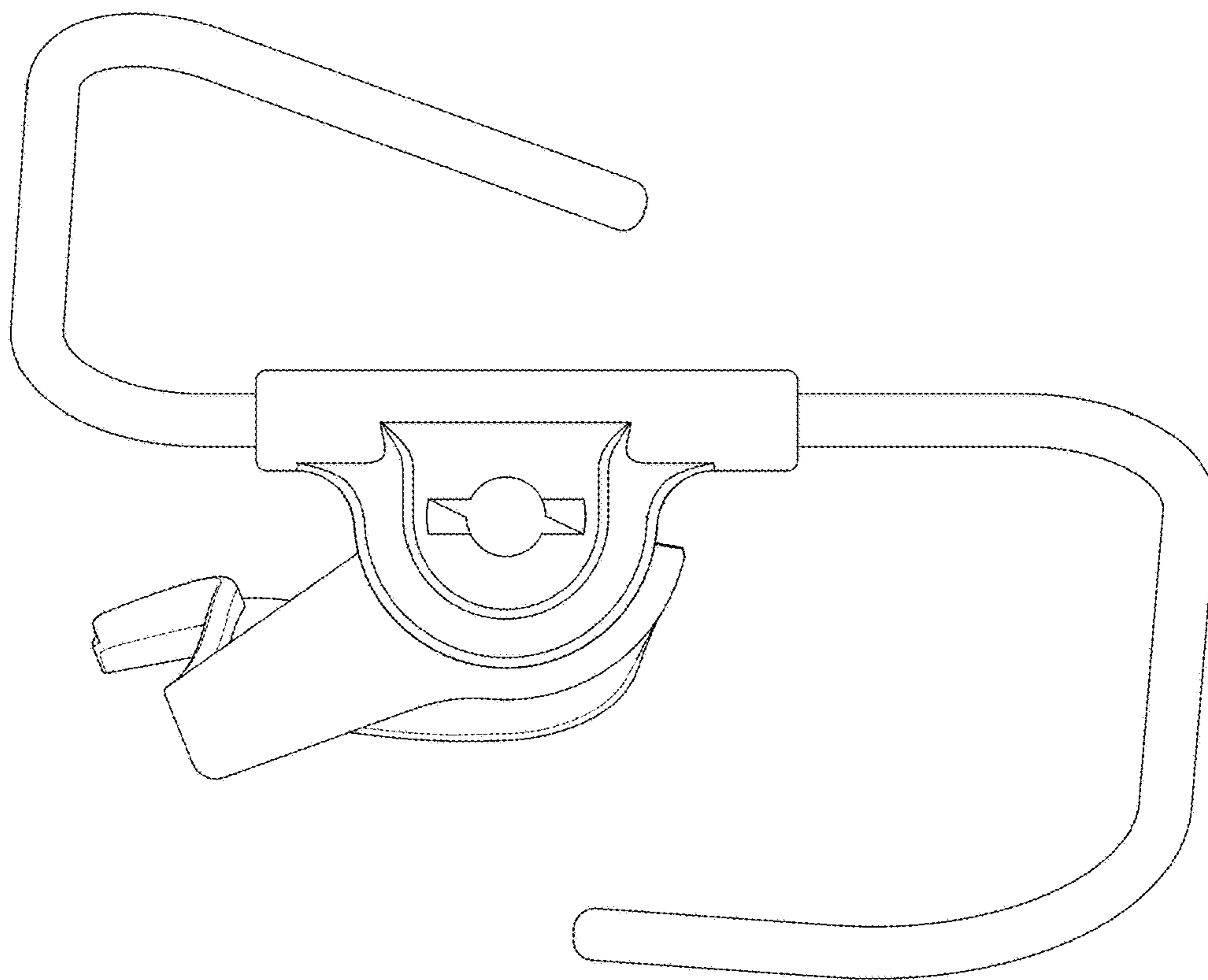
**FIG. 2**



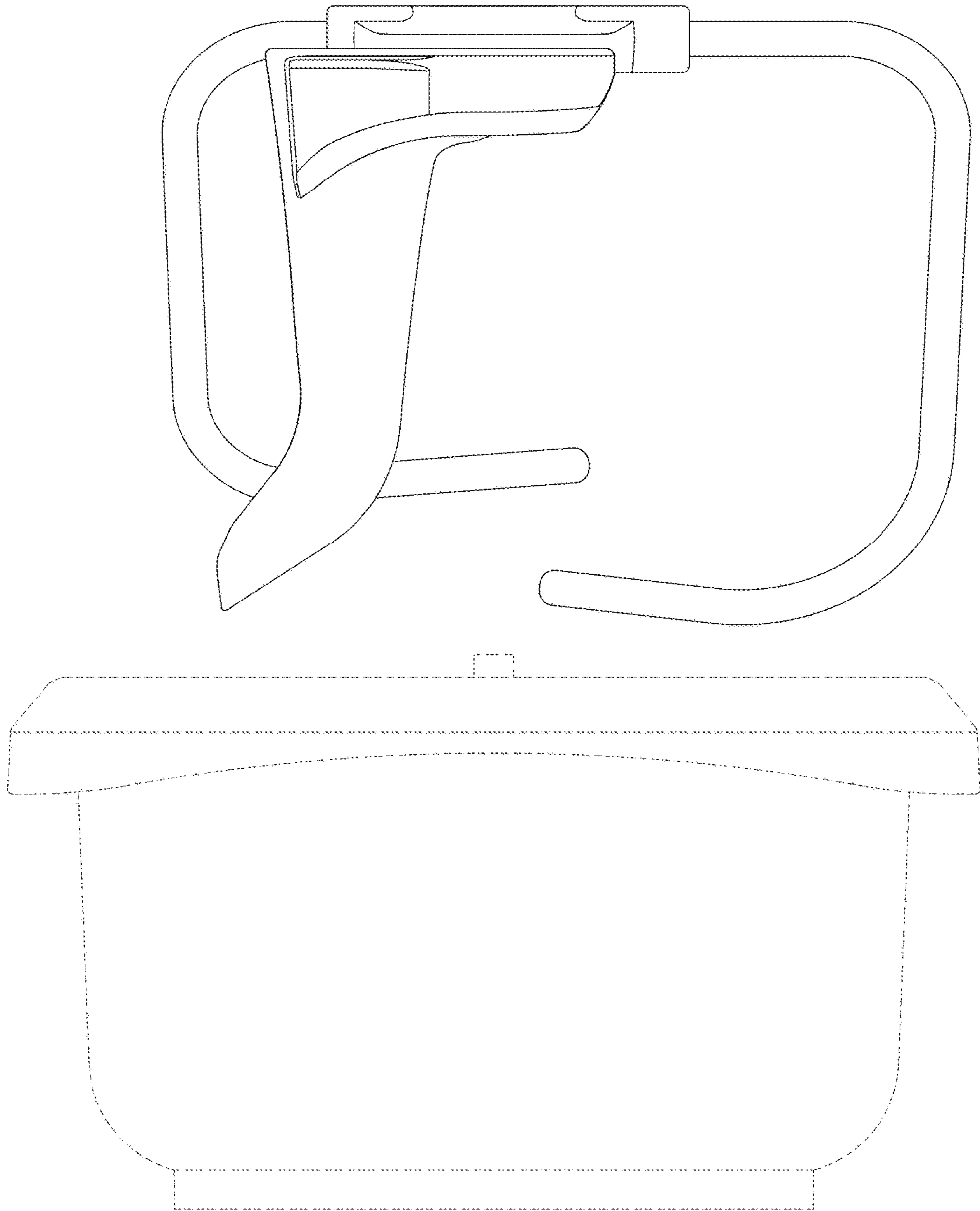
*FIG. 3*



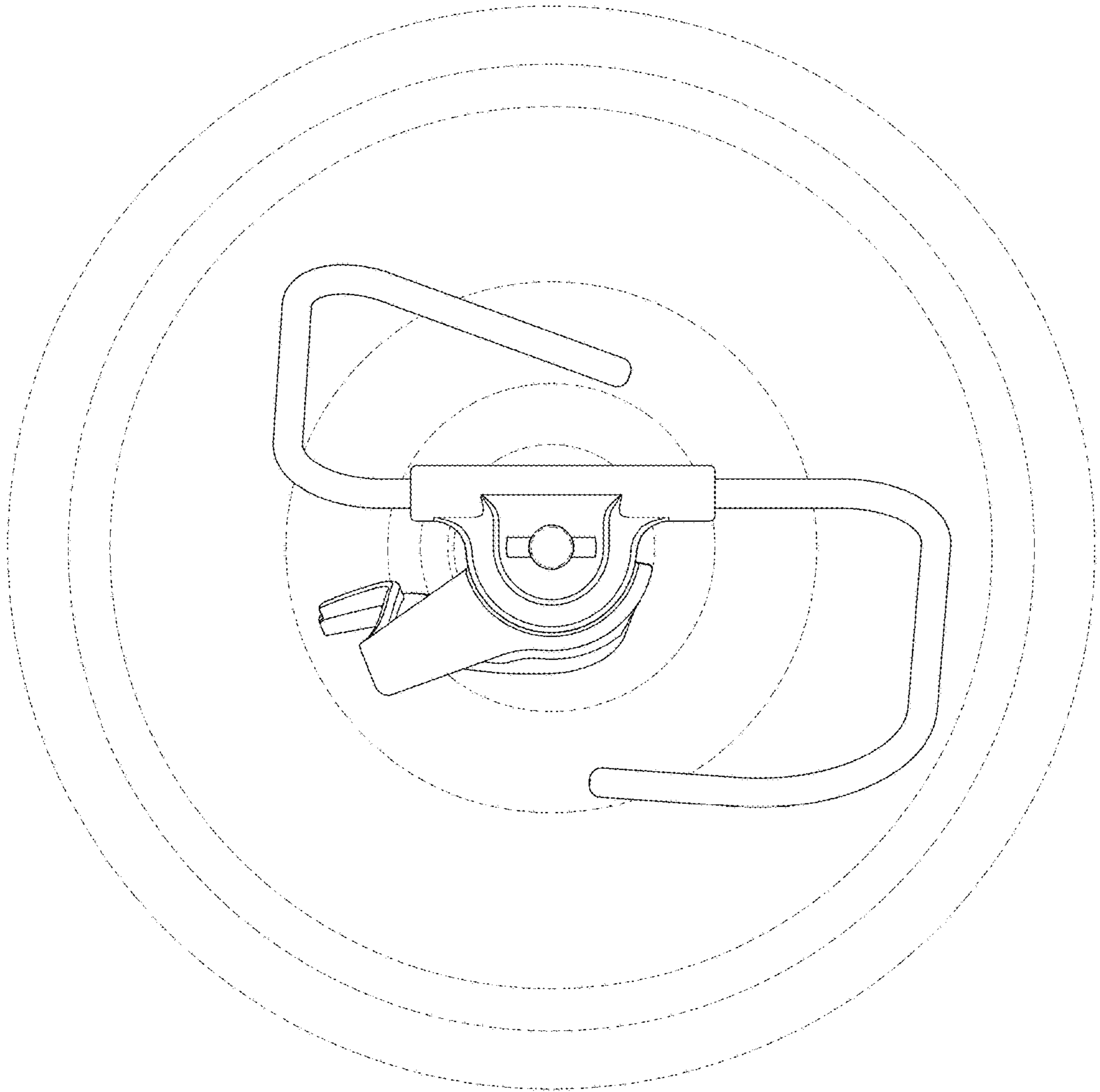
**FIG. 4**



**FIG. 5**



**FIG. 6**



**FIG. 7**