



US00D816406S

(12) **United States Design Patent** (10) **Patent No.:** **US D816,406 S**  
**Mirchandani et al.** (45) **Date of Patent:** **\*\* May 1, 2018**

(54) **COOKING APPARATUS**

FOREIGN PATENT DOCUMENTS

(71) Applicant: **Tristar Products, Inc.**, Fairfield, NJ (US)

CA 99505 A 6/1906  
CN 203776009 U 8/2014

(Continued)

(72) Inventors: **Keith Mirchandani**, Fairfield, NJ (US);  
**Paul McGrath**, Flanders, NJ (US);  
**James Mitrik**, Long Pond, PA (US);  
**Alejandro G. Lozano**, Guttenberg, NJ (US)

*Primary Examiner* — Ricky Pham

(74) *Attorney, Agent, or Firm* — Adler Pollock & Sheehan P.C.; Daniel J. Holmader, Esq.

(73) Assignee: **Tristar Products, Inc.**, Fairfield, NJ (US)

(57) **CLAIM**

The ornamental design for a cooking apparatus, as shown and described.

(\*\*) Term: **15 Years**

**DESCRIPTION**

(21) Appl. No.: **29/596,510**

(22) Filed: **Mar. 8, 2017**

FIG. 1 is a top perspective view of a first embodiment of a cooking apparatus in accordance with the subject disclosure. FIG. 2 is a left side view of the cooking apparatus of FIG. 1.

**Related U.S. Application Data**

(63) Continuation-in-part of application No. 29/595,954, filed on Mar. 3, 2017, now Pat. No. Des. 801,104, and (Continued)

FIG. 3 is a right side view of the cooking apparatus of FIG. 1.

(51) **LOC (11) Cl.** ..... **07-02**

(52) **U.S. Cl.**  
USPC ..... **D7/409; D7/354**

FIG. 4 is a front view of the cooking apparatus of FIG. 1.

(58) **Field of Classification Search**  
USPC ..... D3/314; D7/323, 332, 335-337, D7/354-355, 359-364, 387-388, 402, D7/407-409, 552.1, 629; D8/377 (Continued)

FIG. 5 is a rear view of the cooking apparatus of FIG. 1. FIG. 6 is a top view of the cooking apparatus of FIG. 1. FIG. 7 is a bottom view of the cooking apparatus of FIG. 1. FIG. 8 is another top perspective view of the cooking apparatus of FIG. 1.

(56) **References Cited**

**U.S. PATENT DOCUMENTS**

1,671,450 A 5/1928 Ross  
2,501,588 A \* 3/1950 Somers ..... A47J 43/282  
206/804

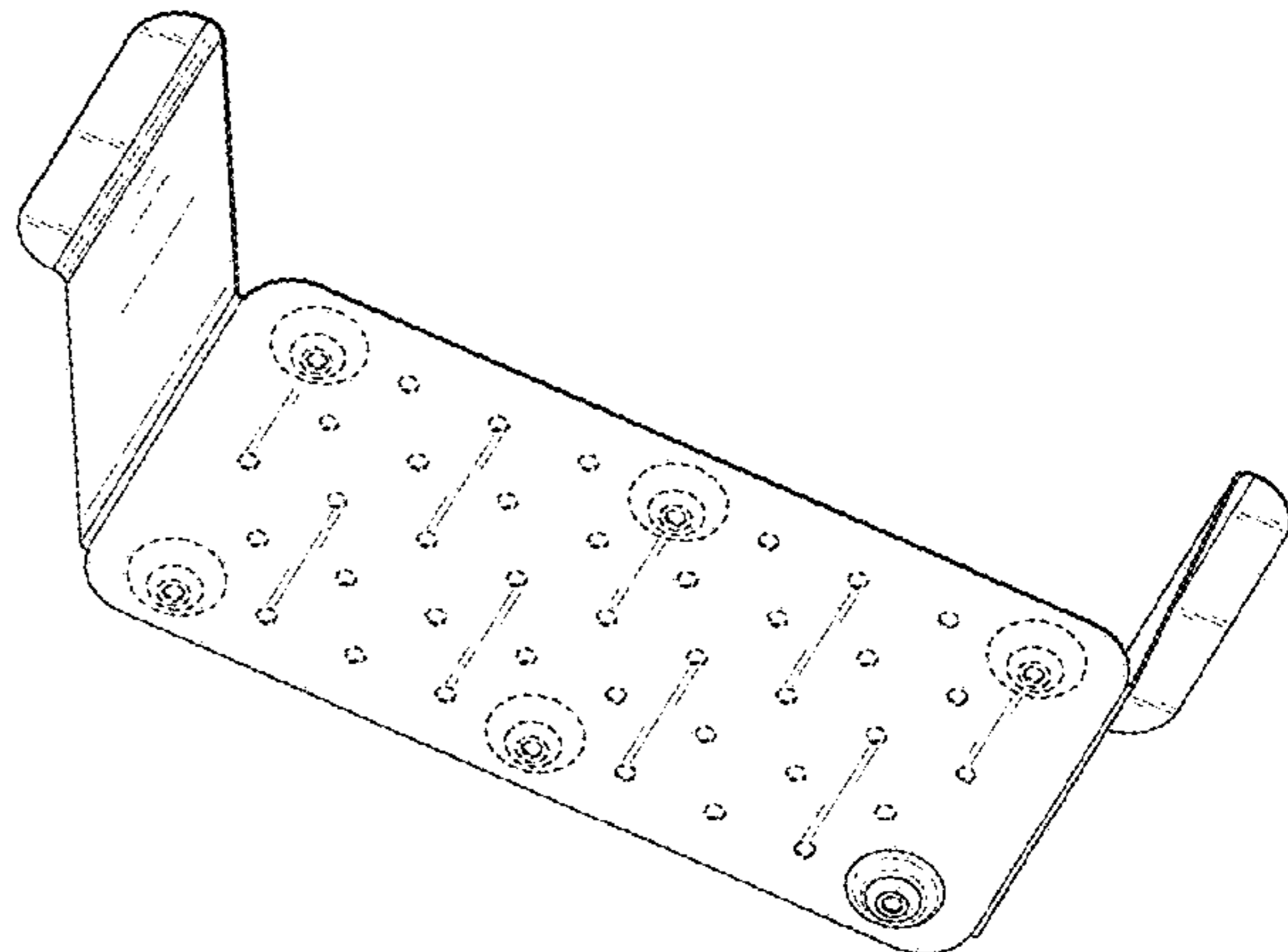
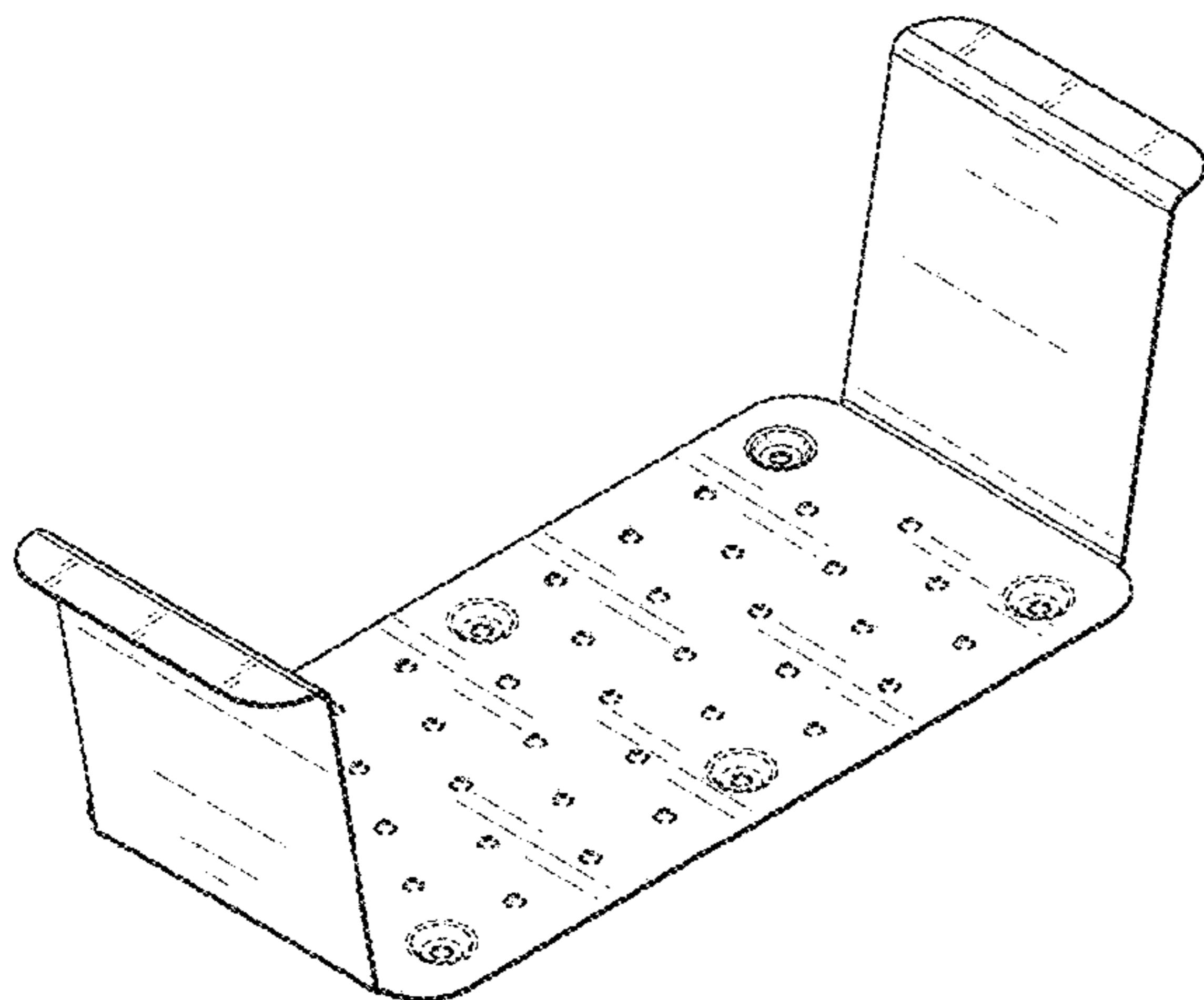
FIG. 9 is a bottom perspective view of the cooking apparatus of FIG. 1; and,

FIG. 10 is a top perspective view of a second embodiment of the cooking apparatus of FIG. 1 indicating surface shading for metal.

In alternative embodiments, the cooking apparatus may have different numbers or sizes of perforations, or no perforations at all. Further, the cooking apparatus may have different shaped handles, upper edges, or lower edges. In various embodiments, the legs supporting the cooking apparatus may be of a different number or shape, or the legs may be spaced differently.

The broken line showings are included for the purpose of illustrating portions of the invention and form no part of the claimed design.

**1 Claim, 10 Drawing Sheets**



**Related U.S. Application Data**

a continuation-in-part of application No. 29/595,957, filed on Mar. 3, 2017, and a continuation-in-part of application No. 29/595,961, filed on Mar. 3, 2017, and a continuation-in-part of application No. 29/595,966, filed on Mar. 3, 2017, and a continuation-in-part of application No. 29/595,970, filed on Mar. 3, 2017, and a continuation-in-part of application No. 29/596,213, filed on Mar. 6, 2017.

(58) **Field of Classification Search**

CPC .... A21B 2/00; A21B 3/00; A21B 3/13; A21B 3/15; A21B 5/00; A21B 5/02; A23N 12/06; A23N 12/08; A23N 12/10; A47J 36/16; A47J 37/00; A47J 37/04; A47J 37/041; A47J 37/042; A47J 37/06; A47J 37/0688; A47J 37/0694; A47J 37/07; A47J 37/0704; A47J 37/10; A47J 37/108; A47J 43/282; A47J 47/20; A47J 2037/00; A47J 2037/06; A47J 2037/0611; A47J 2037/07; A47J 2037/0786; A47J 2037/0795; B65D 21/0204; F24C 15/10; F24C 15/12; F24C 15/14; F24C 15/16; F24C 15/164; F24C 15/18

See application file for complete search history.

(56) **References Cited**

U.S. PATENT DOCUMENTS

4,014,451 A 3/1977 Cannon et al.  
 4,106,486 A 8/1978 Lee  
 4,195,747 A 4/1980 Hare  
 4,291,616 A \* 9/1981 Taylor ..... A47J 37/108  
 99/446  
 D286,496 S \* 11/1986 Daenen ..... D32/57  
 4,865,858 A 9/1989 Petcavich  
 D308,274 S \* 5/1990 Gosselin ..... D3/314  
 D332,204 S \* 1/1993 Carlson ..... D7/629

D340,614 S \* 10/1993 Kaeding ..... D7/354  
 D384,555 S 10/1997 Bradley  
 5,800,853 A 9/1998 Wang  
 6,092,684 A \* 7/2000 Sato ..... B65D 21/0204  
 206/504  
 D437,180 S 2/2001 Emrich  
 D445,633 S 7/2001 Bradley  
 D466,758 S 12/2002 Bradley  
 6,546,850 B1 4/2003 Akiyama-Warren  
 D528,376 S 9/2006 Munson et al.  
 D545,092 S \* 6/2007 Knorring, Jr. .... A47F 1/12  
 D8/377  
 D559,621 S 1/2008 Raichlen et al.  
 D569,169 S 5/2008 Munson  
 D584,112 S 1/2009 Ehrenhaus et al.  
 D588,859 S 3/2009 Simon et al.  
 D615,825 S 5/2010 Curtin  
 D630,886 S \* 1/2011 Thanasouk ..... D7/354  
 D641,217 S 7/2011 Chen et al.  
 D662,781 S \* 7/2012 Pallotto ..... D7/552.1  
 D684,733 S 6/2013 Altoon  
 D777,535 S 1/2017 Zemel et al.  
 9,723,949 B2 \* 8/2017 Moore ..... A47J 36/16  
 D801,104 S \* 10/2017 Mirchandani ..... D7/354  
 2005/0098046 A1 5/2005 Morgan  
 2010/0263552 A1 10/2010 Hendrickson  
 2015/0069215 A1 3/2015 Kohnen  
 2015/0201802 A1 \* 7/2015 Moore ..... A47J 36/16  
 426/389  
 2015/0250189 A1 9/2015 Marin Moro

FOREIGN PATENT DOCUMENTS

GB 802872 A 10/1958  
 GB 835370 A 5/1960  
 GB 2073582 A 10/1981  
 GB 2075824 A 11/1981  
 GB 2451496 A 2/2009  
 JP 2009508512 A 3/2009  
 WO WO-890210 A1 1/1989  
 WO WO-9533360 A1 12/1995  
 WO WO-2006062527 A1 6/2006

\* cited by examiner

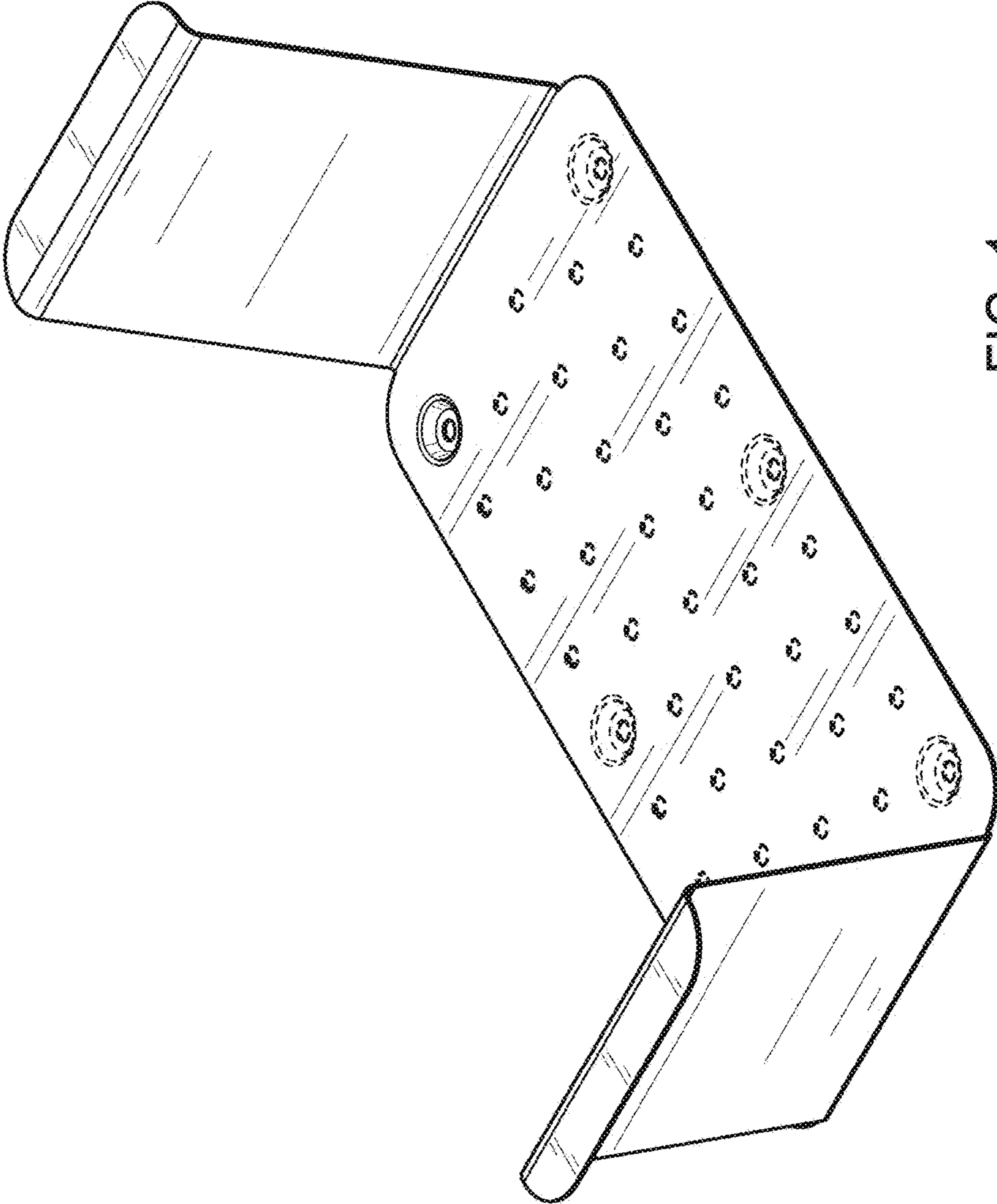


FIG. 1

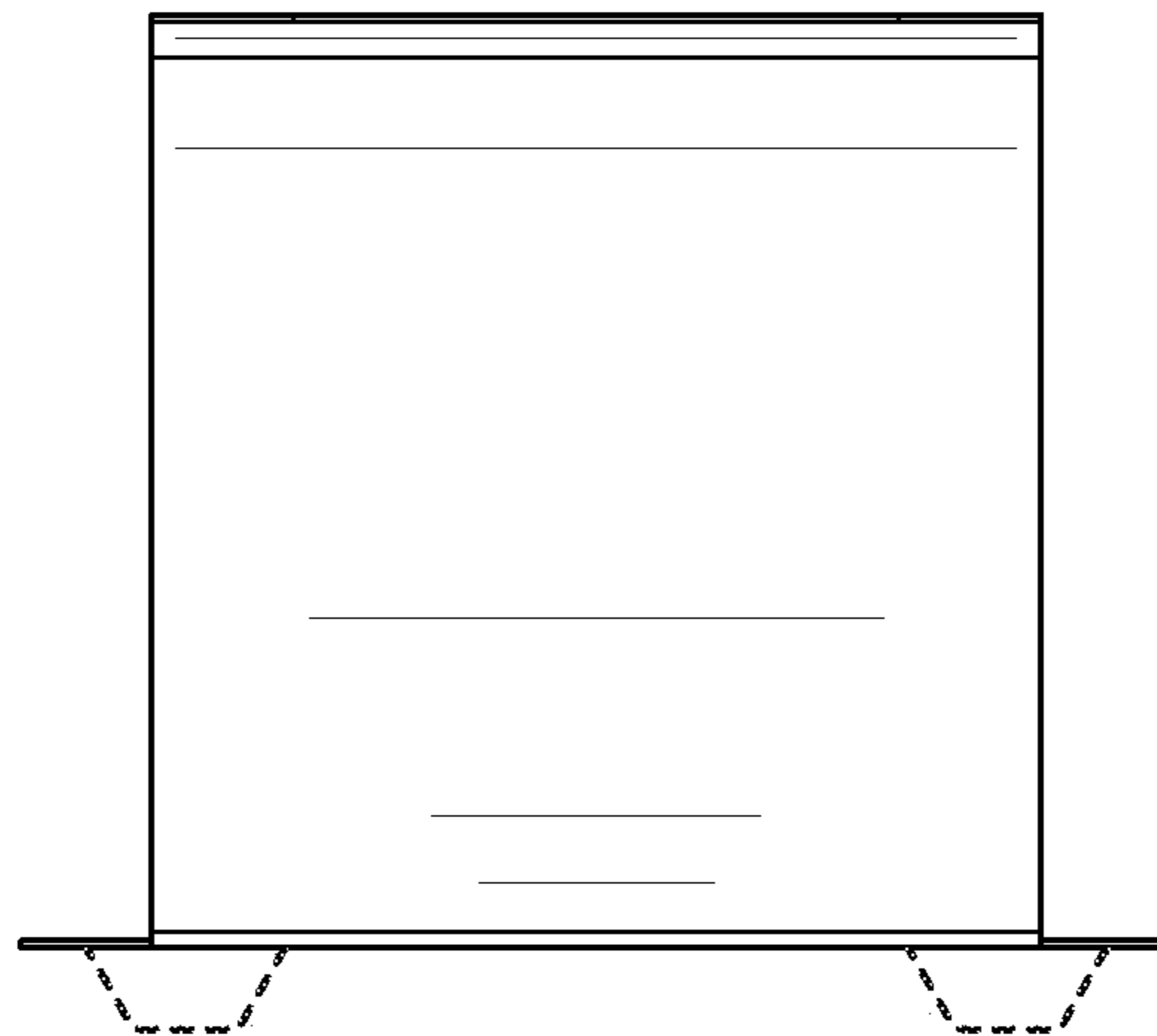


FIG. 2

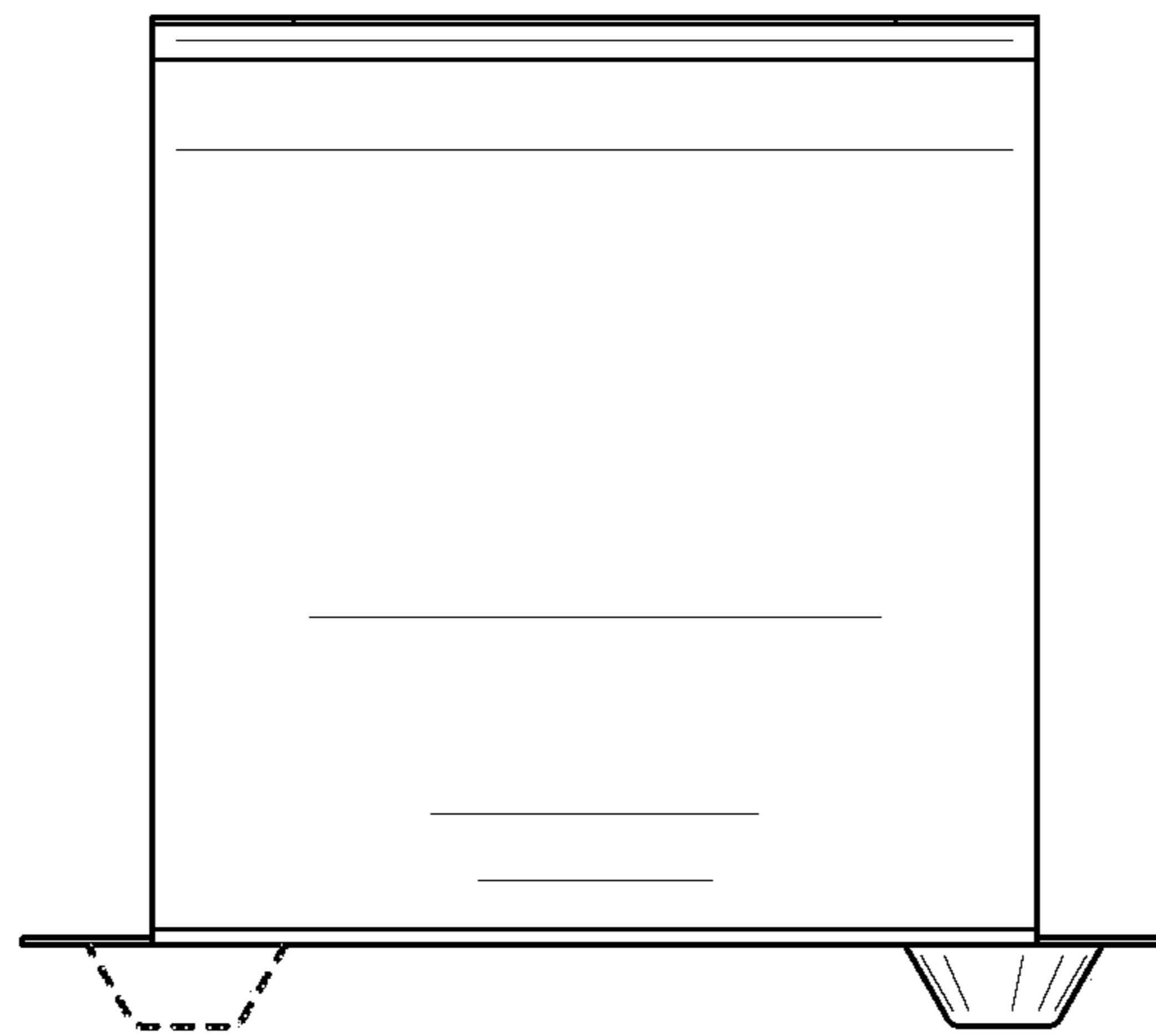


FIG. 3

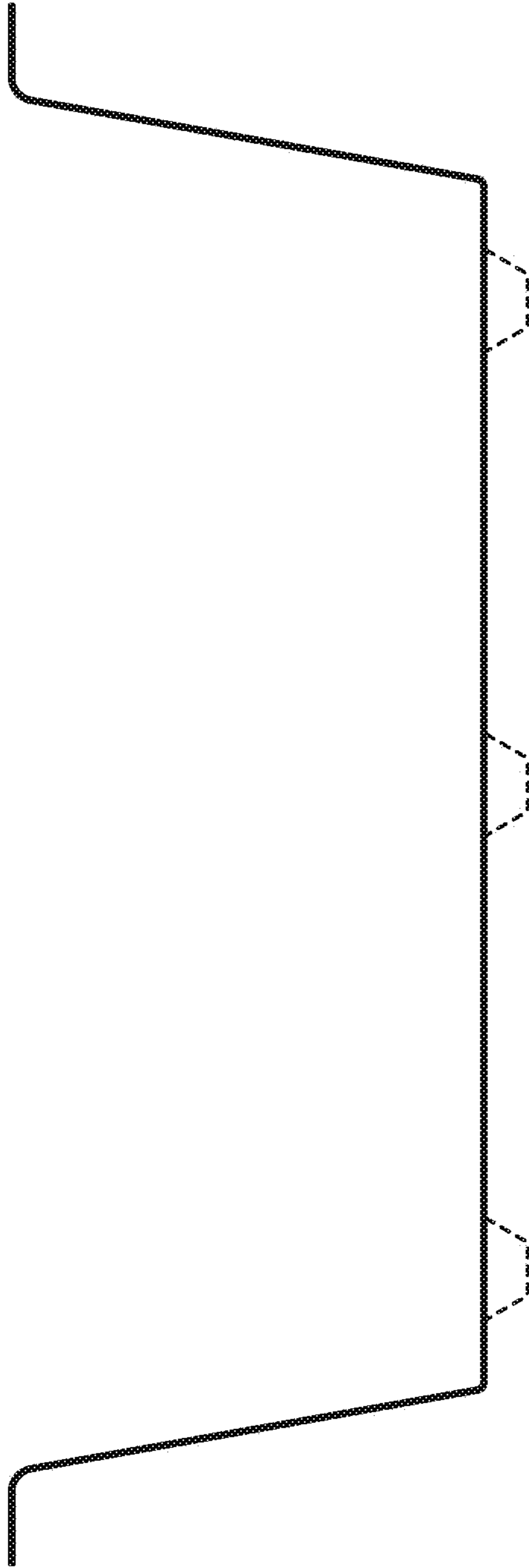


FIG. 4

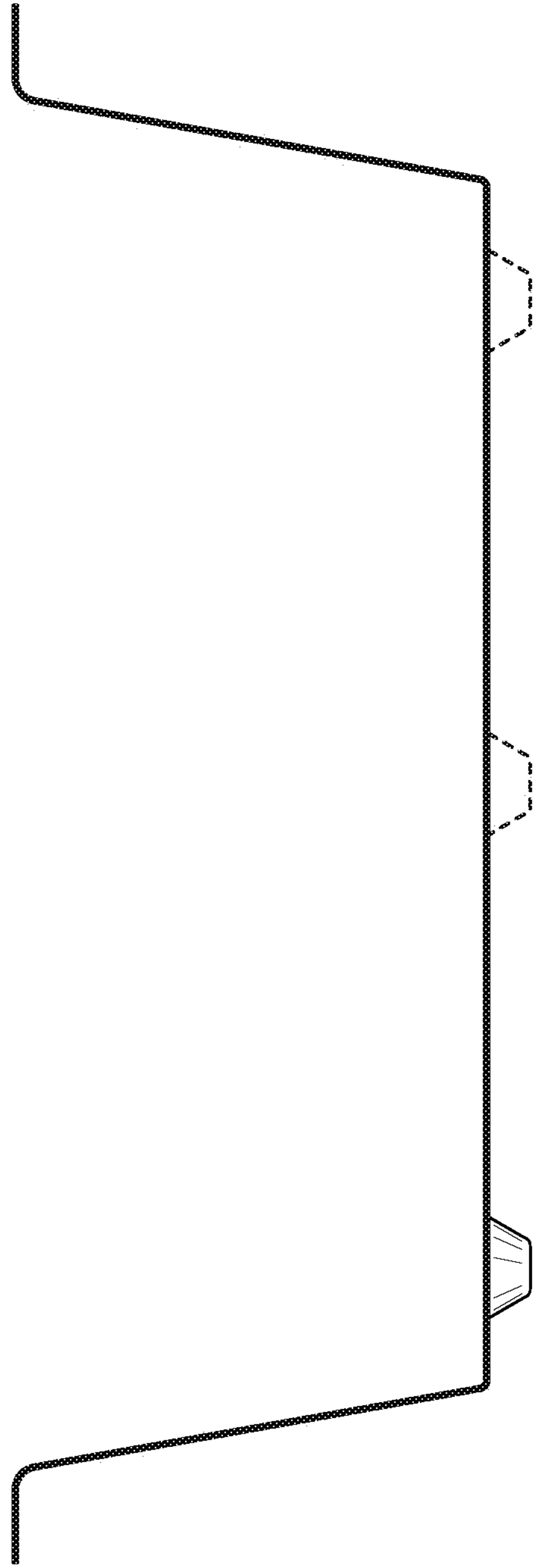


FIG. 5

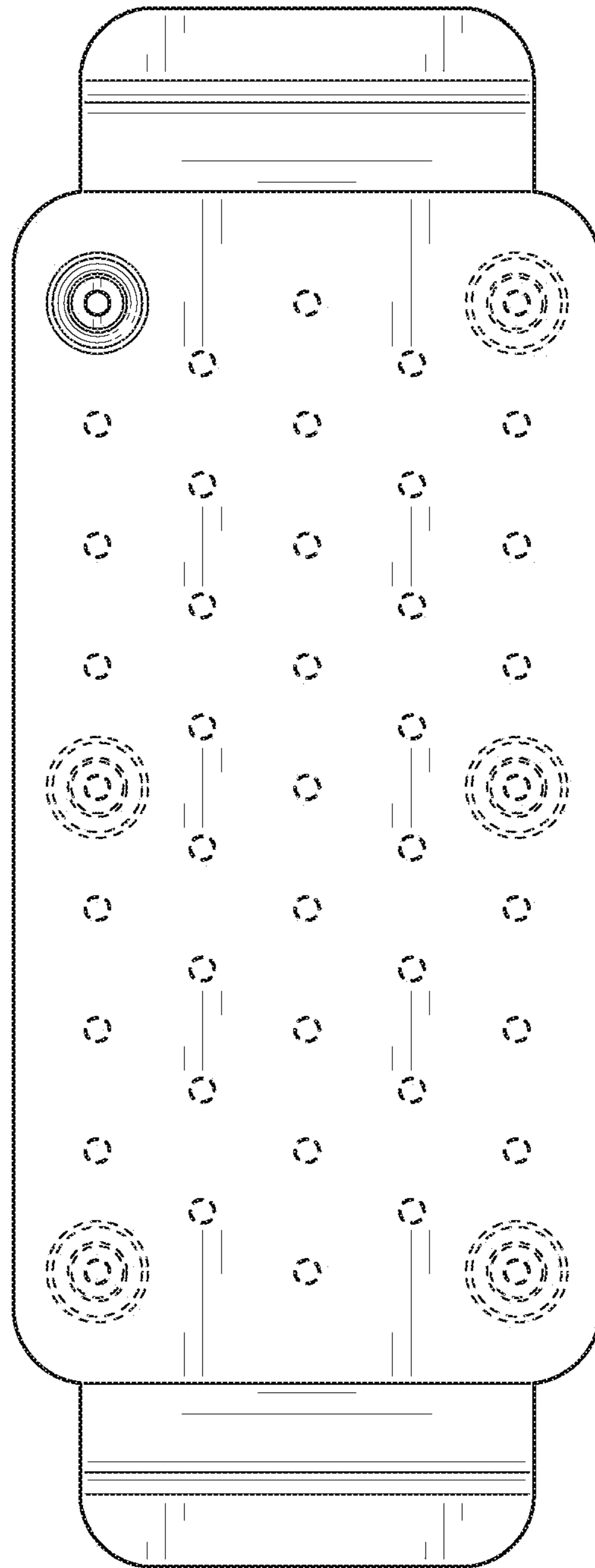


FIG. 6



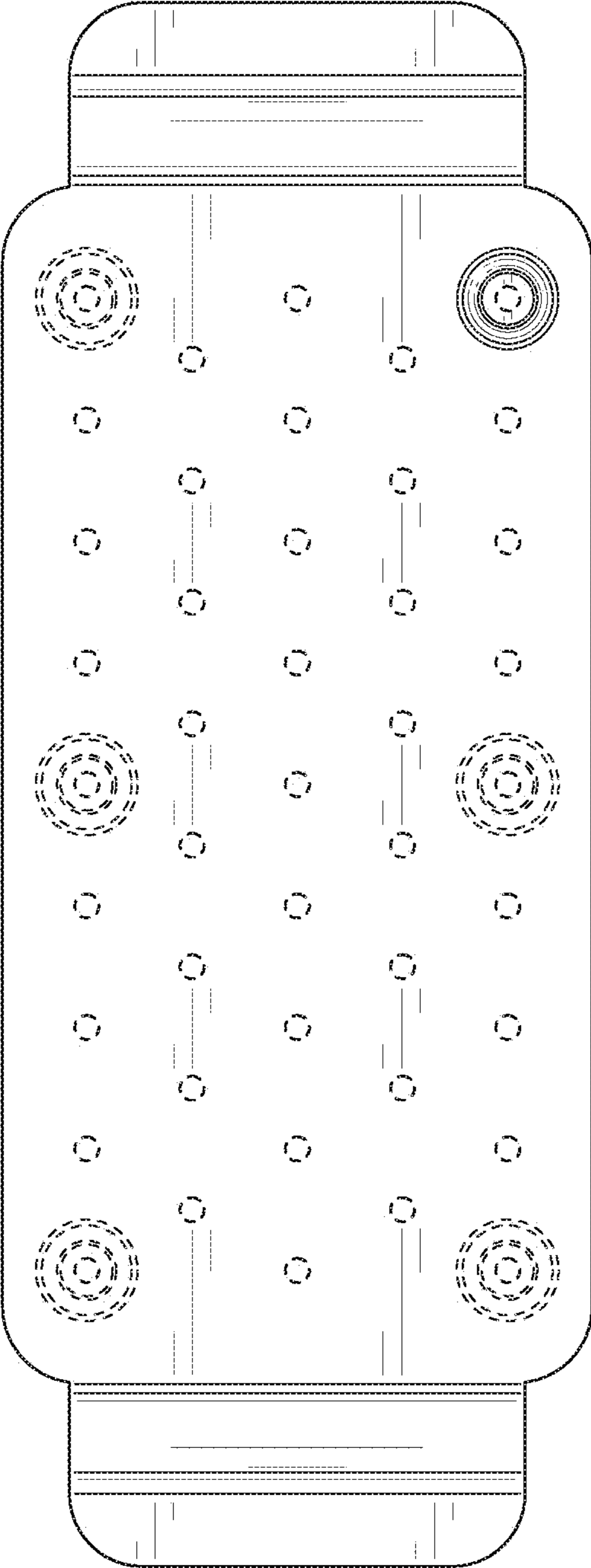


FIG. 7

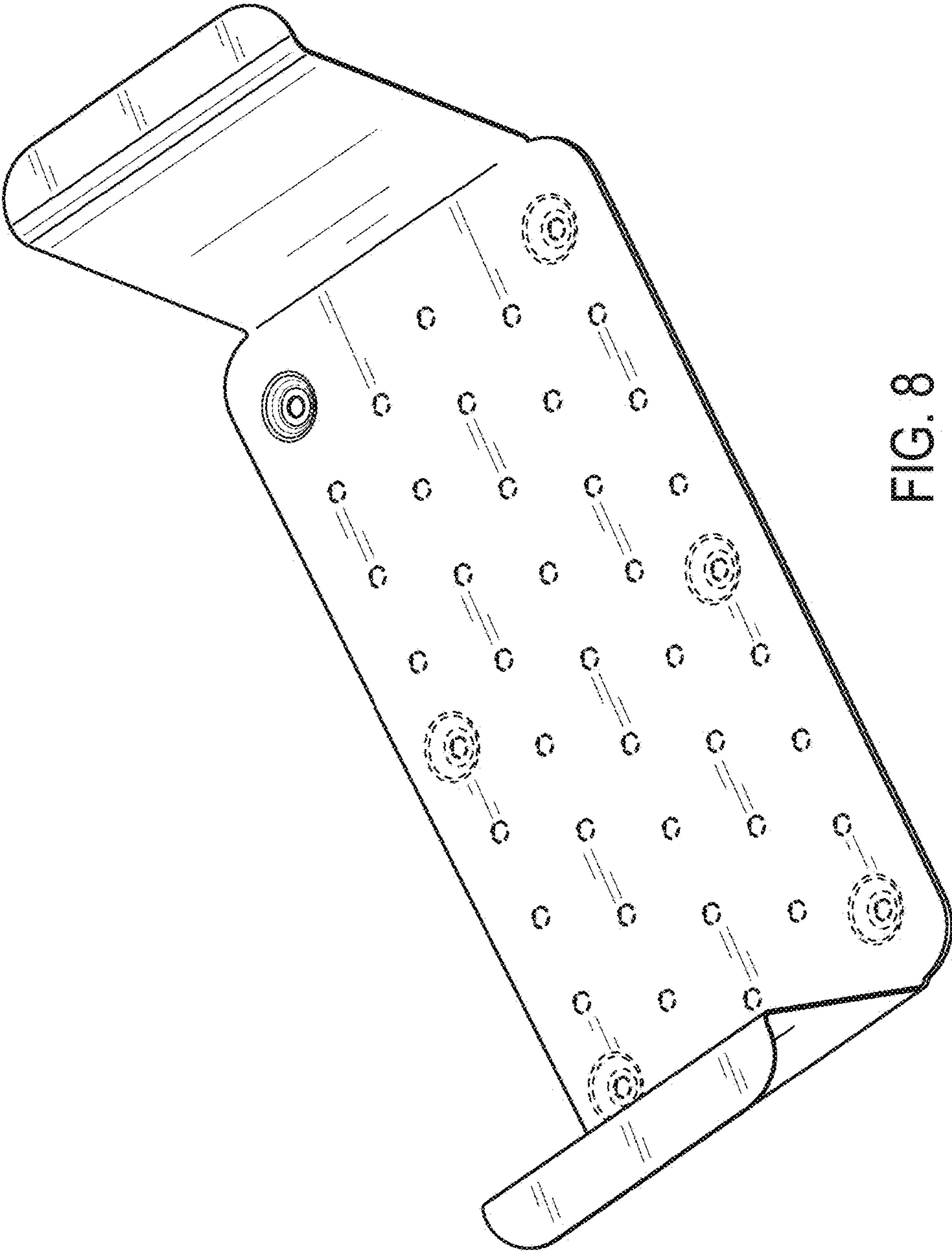


FIG. 8

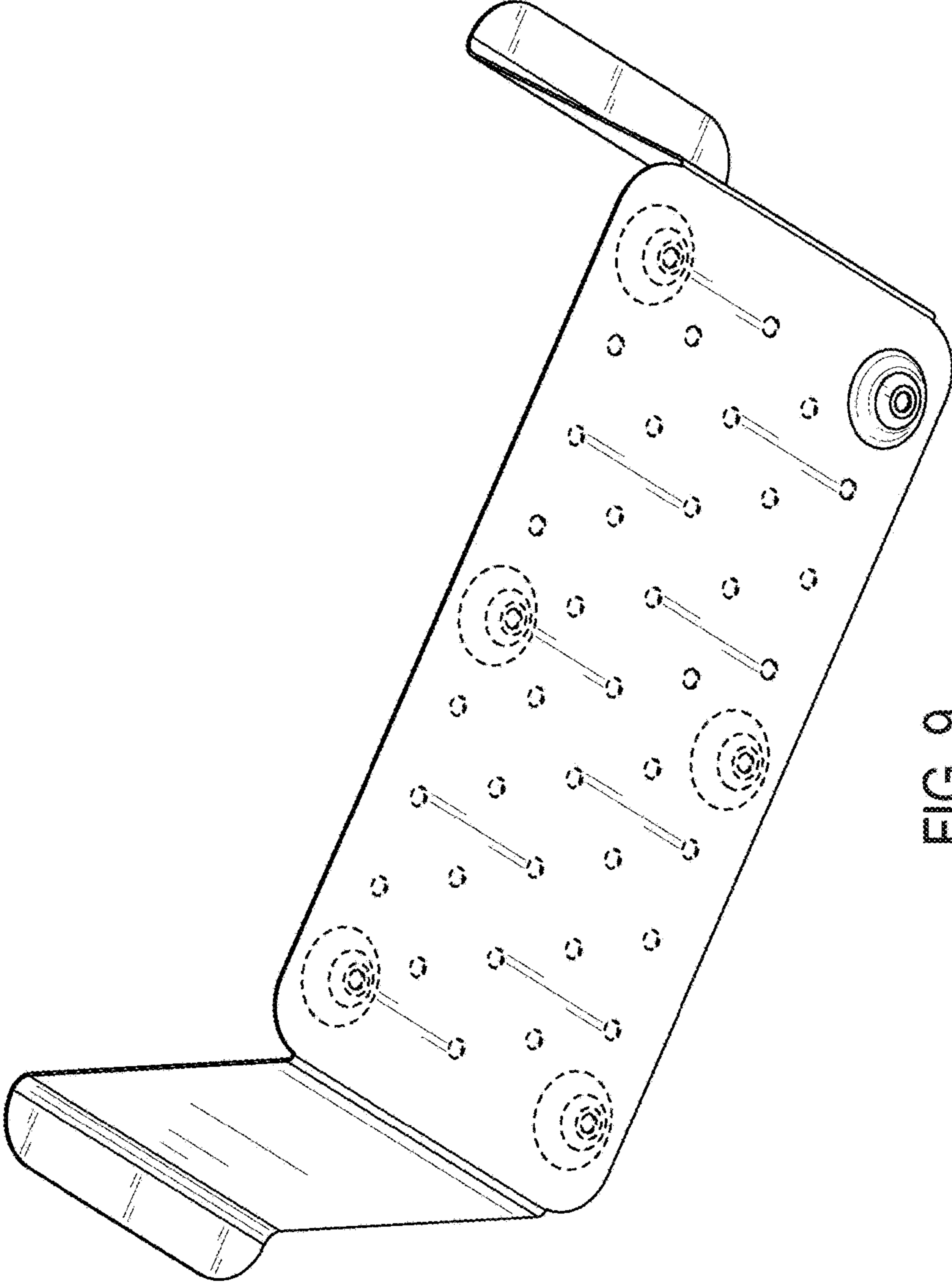


FIG. 9

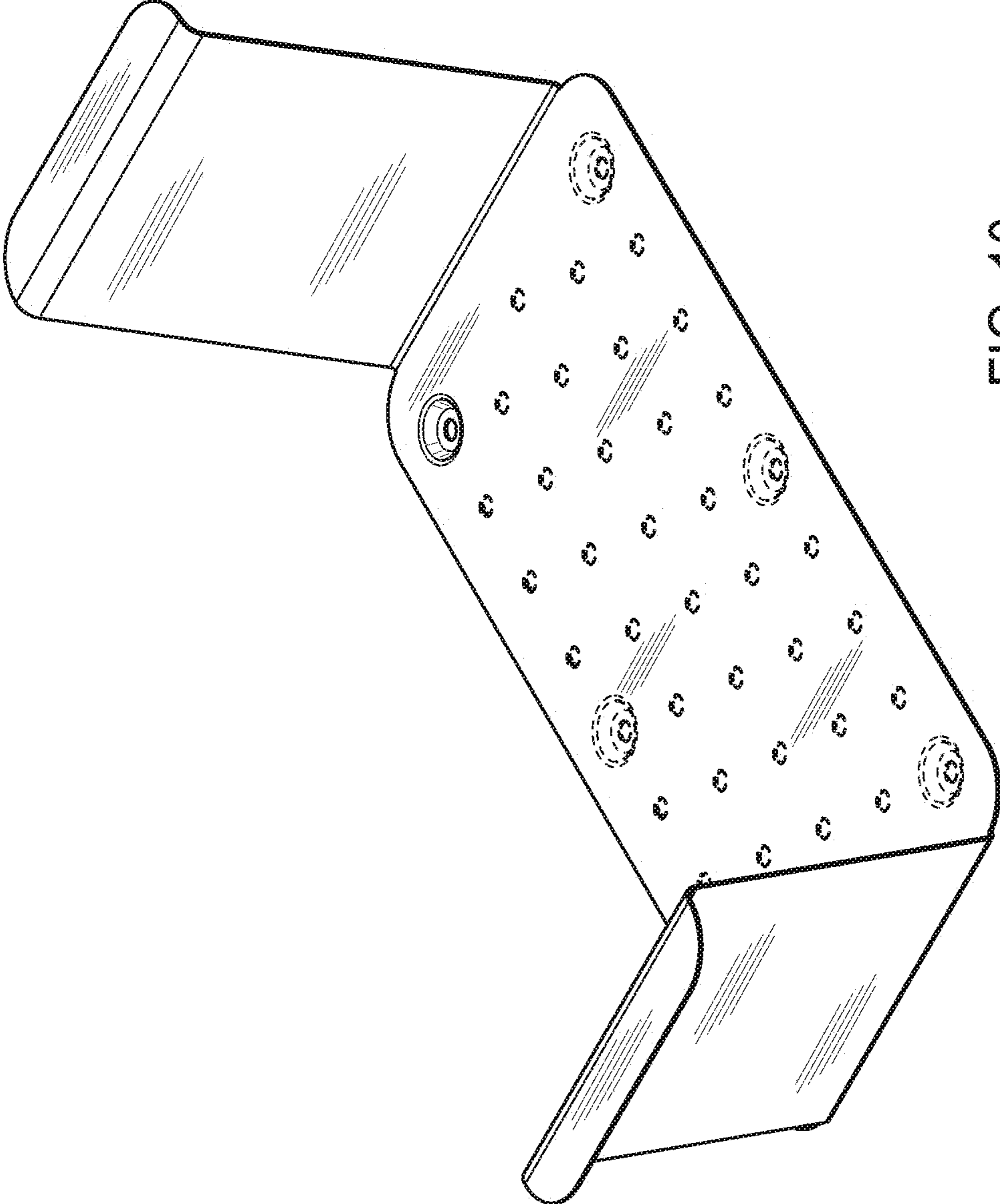


FIG. 10