



US00D816405S

(12) **United States Design Patent**
Mirchandani et al.

(10) **Patent No.:** **US D816,405 S**
(45) **Date of Patent:** **** May 1, 2018**

(54) **COOKING APPARATUS**

- (71) Applicant: **Tristar Products, Inc.**, Fairfield, NJ (US)
- (72) Inventors: **Keith Mirchandani**, Fairfield, NJ (US);
Paul McGrath, Flanders, NJ (US);
James Mitrik, Long Pond, PA (US);
Alejandro G. Lozano, Guttenberg, NJ (US)
- (73) Assignee: **Tristar Products, Inc.**, Fairfield, NJ (US)
- (**) Term: **15 Years**
- (21) Appl. No.: **29/596,042**
- (22) Filed: **Mar. 3, 2017**
- (51) **LOC (11) Cl.** **07-02**
- (52) **U.S. Cl.**
USPC **D7/409**; D7/354

- (58) **Field of Classification Search**
USPC D7/323, 354-361, 402, 407-409, 543,
D7/545, 549, 550.1, 553.1-553.8,
D7/554.1-554.4, 555, 584, 586, 602, 629,
D7/672-673
CPC A21B 2/00; A21B 3/00; A21B 3/13; A21B
3/15; A21B 3/134-3/135; A21B 5/00;
A21B 5/02; A21C 11/106; A23N 12/06;
A23N 12/08; A23N 12/10; A47J 9/005;
A47J 36/022; A47J 36/025; A47J 36/027;
A47J 36/16; A47J 37/00; A47J 37/04;
A47J 37/041; A47J 37/042; A47J 37/06;
A47J 37/0688; A47J 37/0694; A47J
37/07; A47J 37/0704; A47J 37/10; A47J
43/282; A47J 45/062; A47J 47/20; A47J
2037/00; A47J 2037/06; A47J 2037/0611;
A47J 2037/07;

(Continued)

(56) **References Cited**

U.S. PATENT DOCUMENTS

- 1,364,863 A * 1/1921 Buchtel B26B 3/04
30/303
- 1,780,980 A * 11/1930 Newman F25C 1/246
62/298

(Continued)

FOREIGN PATENT DOCUMENTS

- GB 835370 A 5/1960
- GB 2073582 A 10/1981

(Continued)

Primary Examiner — Ricky Pham

(74) *Attorney, Agent, or Firm* — Adler Pollock & Sheehan P.C.; Daniel J. Holmander, Esq.

(57) **CLAIM**

The ornamental design for a cooking apparatus, as shown and described.

DESCRIPTION

FIG. 1 is a front perspective view of a first embodiment of a cooking apparatus in accordance with the subject disclosure.

FIG. 2 is top view of the cooking apparatus of FIG. 1.

FIG. 3 is a bottom view of the cooking apparatus of FIG. 1.

FIG. 4 is a front view of the cooking apparatus of FIG. 1.

FIG. 5 is a rear view of the cooking apparatus of FIG. 1.

FIG. 6 is a top perspective view of the cooking apparatus of FIG. 1.

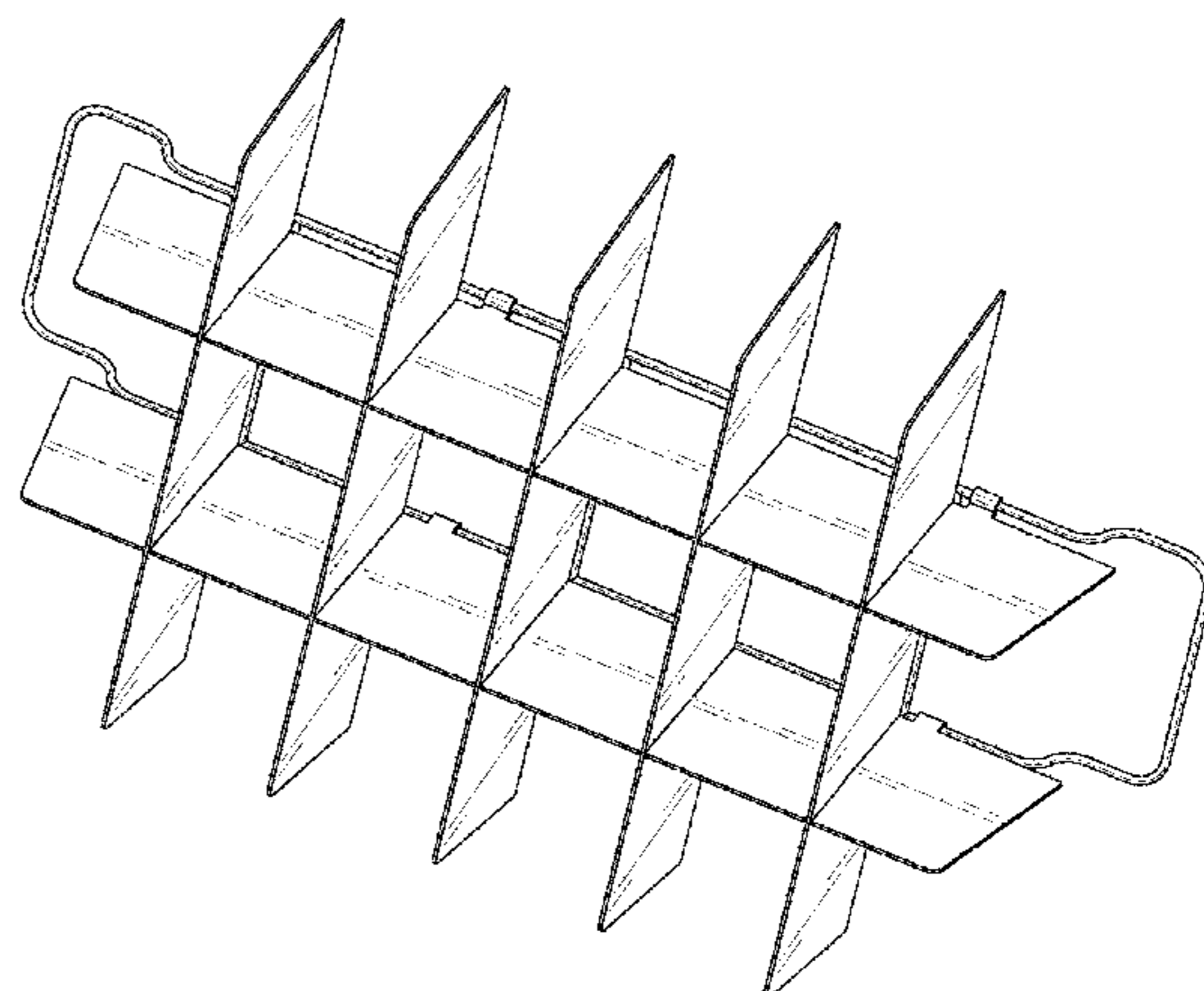
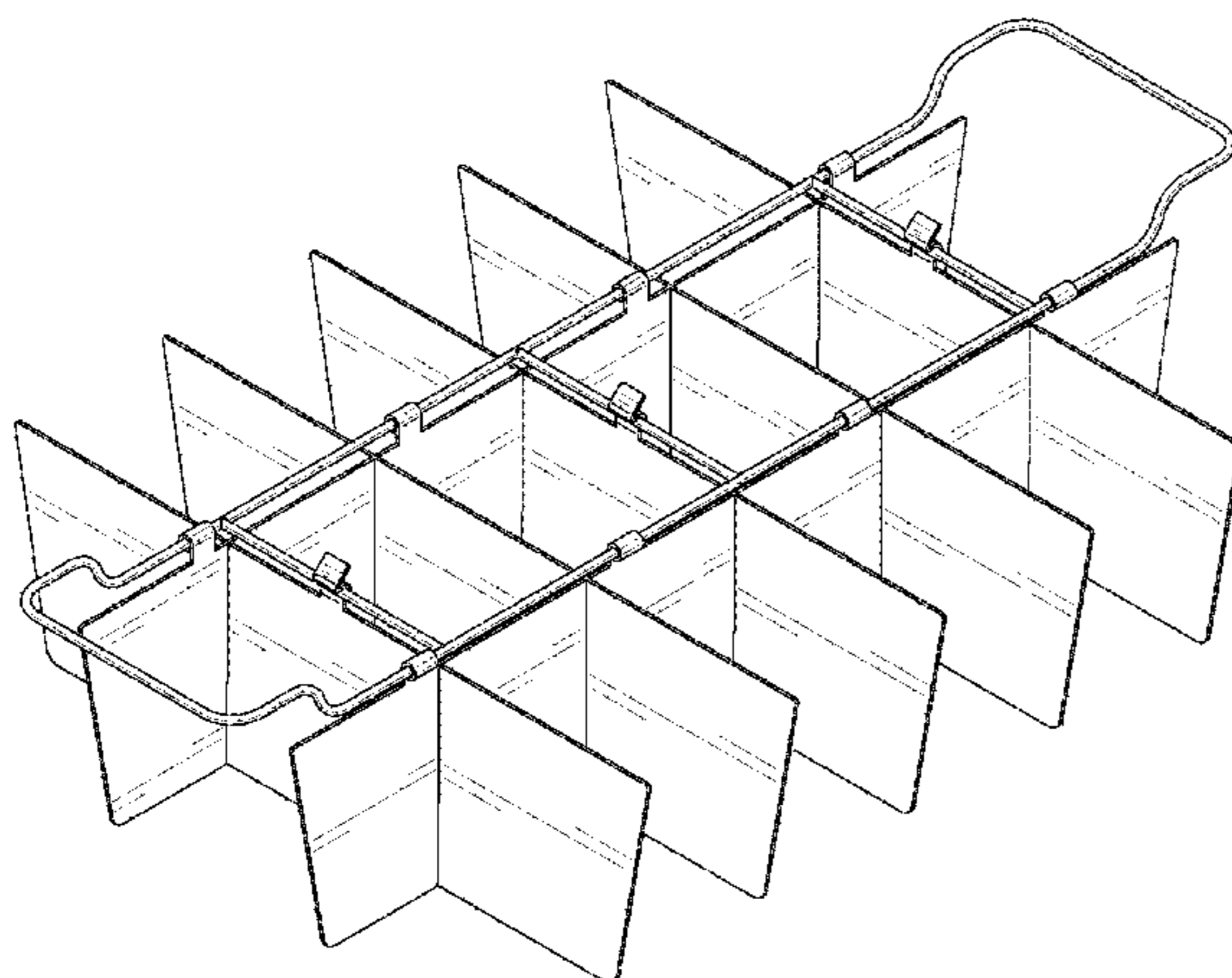
FIG. 7 is a bottom perspective view of the cooking apparatus of FIG. 1.

FIG. 8 is a right side view of the cooking apparatus of FIG. 1.

FIG. 9 is a left side view of the cooking apparatus of FIG. 1; and,

FIG. 10 is a front perspective view of a second embodiment of the cooking apparatus of FIG. 1 indicating surface shading for metal.

1 Claim, 10 Drawing Sheets



US D816,405 S

Page 2

(58) **Field of Classification Search**

CPC A47J 2037/0786; A47J 2037/0795; B26B
3/04; B26D 3/185; B29C 45/14; B65D
1/22; B65D 1/24; B65D 1/34; B65D
1/36; B65D 5/48038; B65D 77/2056;
B65D 81/343; B65D 85/36; F24C 15/10;
F24C 15/12; F24C 15/14; F24C 15/16;
F24C 15/164; F24C 15/18; F25C 1/246

See application file for complete search history.

(56) **References Cited**

U.S. PATENT DOCUMENTS

2,048,412 A * 7/1936 Sissman F25C 1/246
249/128
2,501,588 A * 3/1950 Somers A47J 43/282
206/804
2,502,157 A * 3/1950 Klejna B26D 3/185
30/303
2,663,449 A * 12/1953 Smart A21B 3/13
220/543
4,055,892 A * 11/1977 Del Vecchio B26D 3/185
30/303
4,195,747 A 4/1980 Hare
4,773,320 A * 9/1988 Stock A21B 3/13
249/117
4,865,858 A 9/1989 Petcavich
5,004,146 A * 4/1991 Thominet B65D 5/48038
229/120.31
D340,614 S * 10/1993 Kaeding D7/354

D409,054 S * 5/1999 Wirfel D7/673
D445,633 S 7/2001 Bradley
6,276,918 B1 * 8/2001 Slaughter A21C 11/106
249/DIG. 1
D494,408 S 8/2004 Hinton et al.
D586,626 S * 2/2009 Carrell D7/672
D590,215 S * 4/2009 Carrell D7/672
7,770,751 B2 * 8/2010 Henry A21B 3/135
220/507
D630,884 S * 1/2011 Stein D7/354
D634,590 S * 3/2011 Ferguson D7/673
D664,814 S * 8/2012 Lepore D7/672
D742,943 S * 11/2015 Parker D15/90
D770,244 S * 11/2016 Repac D7/672
9,723,949 B2 * 8/2017 Moore A47J 36/16
D801,104 S * 10/2017 Mirchandani D7/354
2004/0250667 A1 * 12/2004 Atwater A21C 11/106
83/13
2006/0272162 A1 * 12/2006 Atwater A21C 11/106
30/303
2008/0229938 A1 * 9/2008 Hutto A47J 9/005
99/537
2010/0043239 A1 2/2010 Pittman
2011/0108556 A1 5/2011 Levie
2015/0201802 A1 * 7/2015 Moore A47J 36/16
426/389

FOREIGN PATENT DOCUMENTS

GB 2075824 A 11/1981
WO WO-8902210 A1 3/1989

* cited by examiner

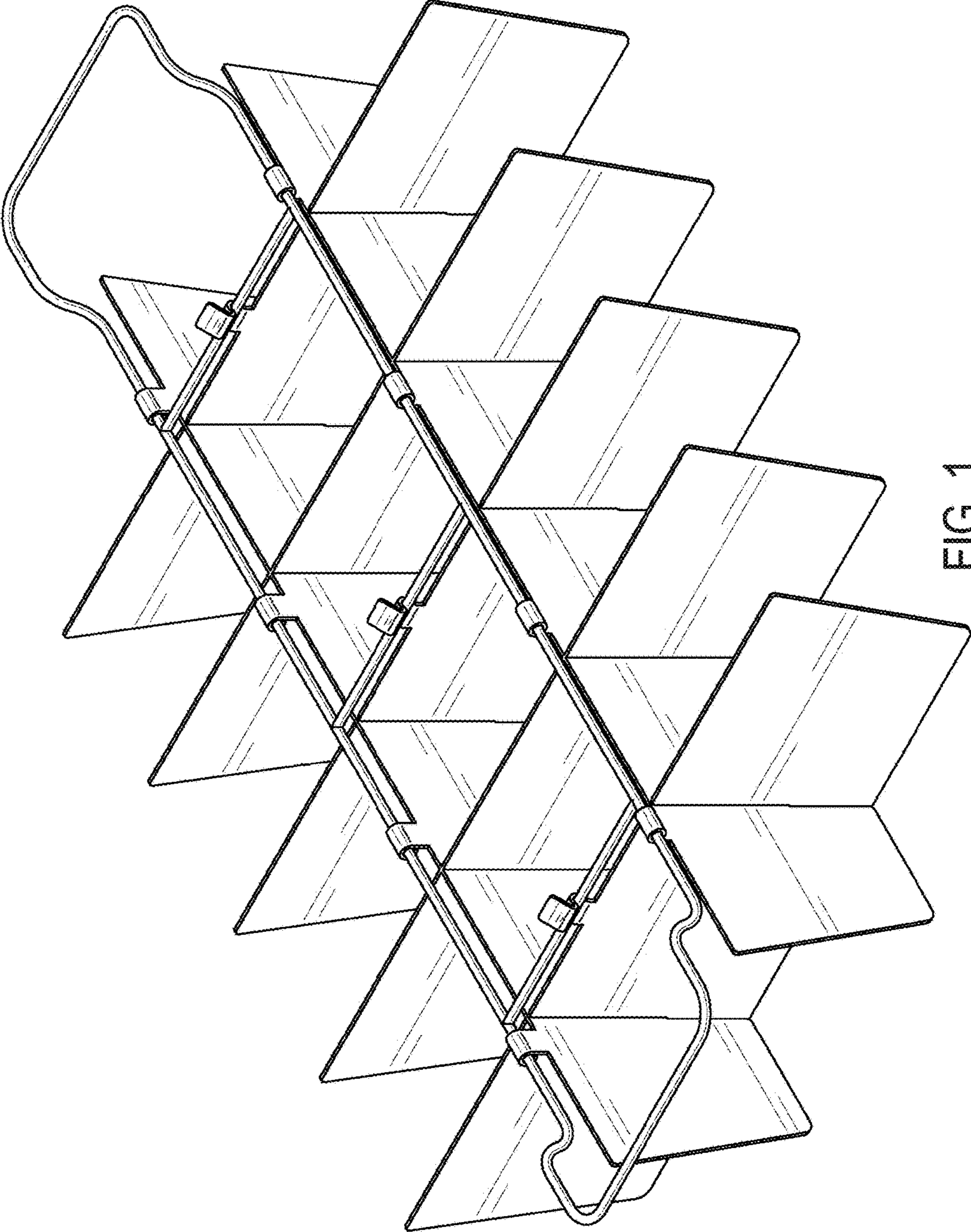


FIG. 1

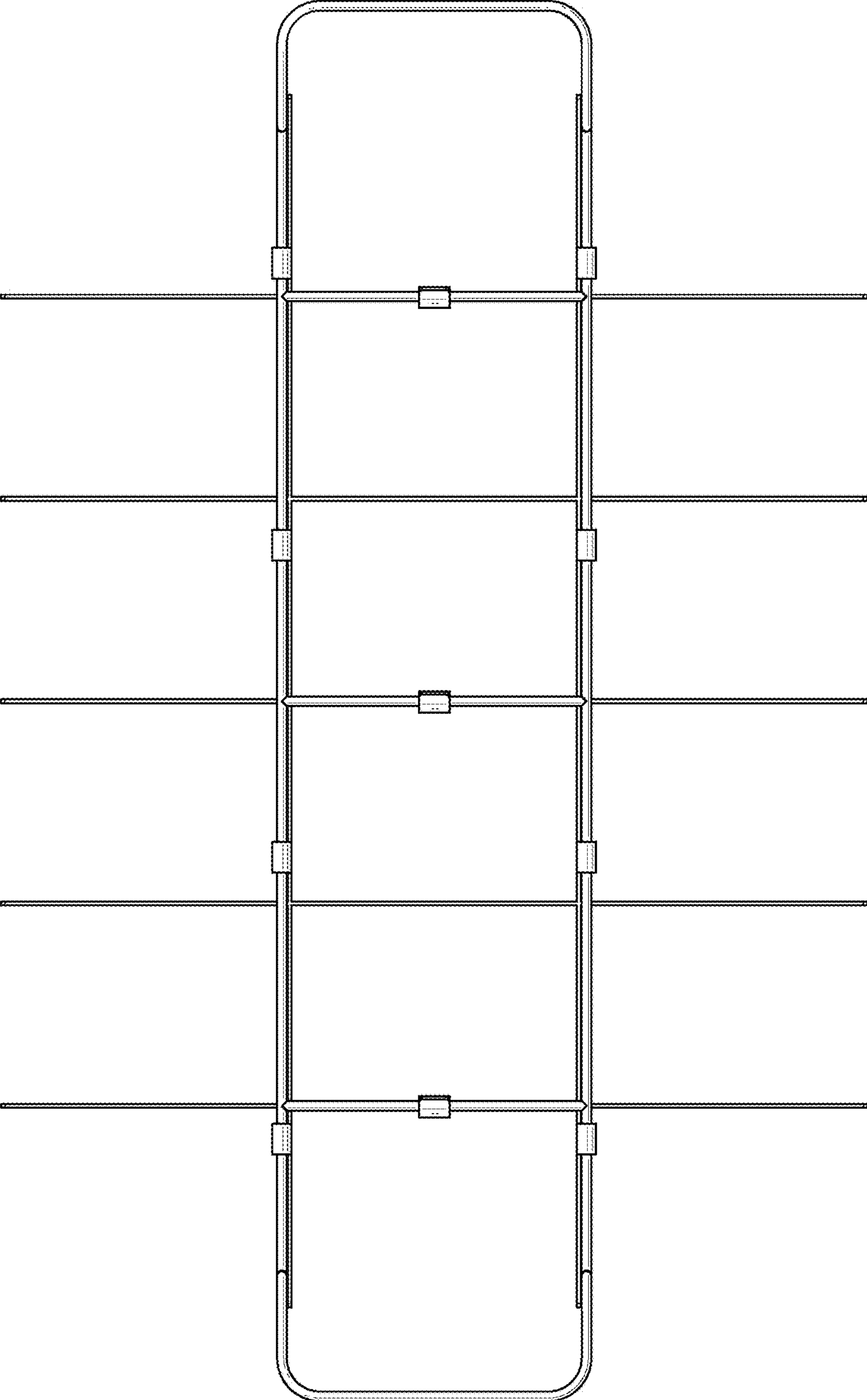


FIG. 2

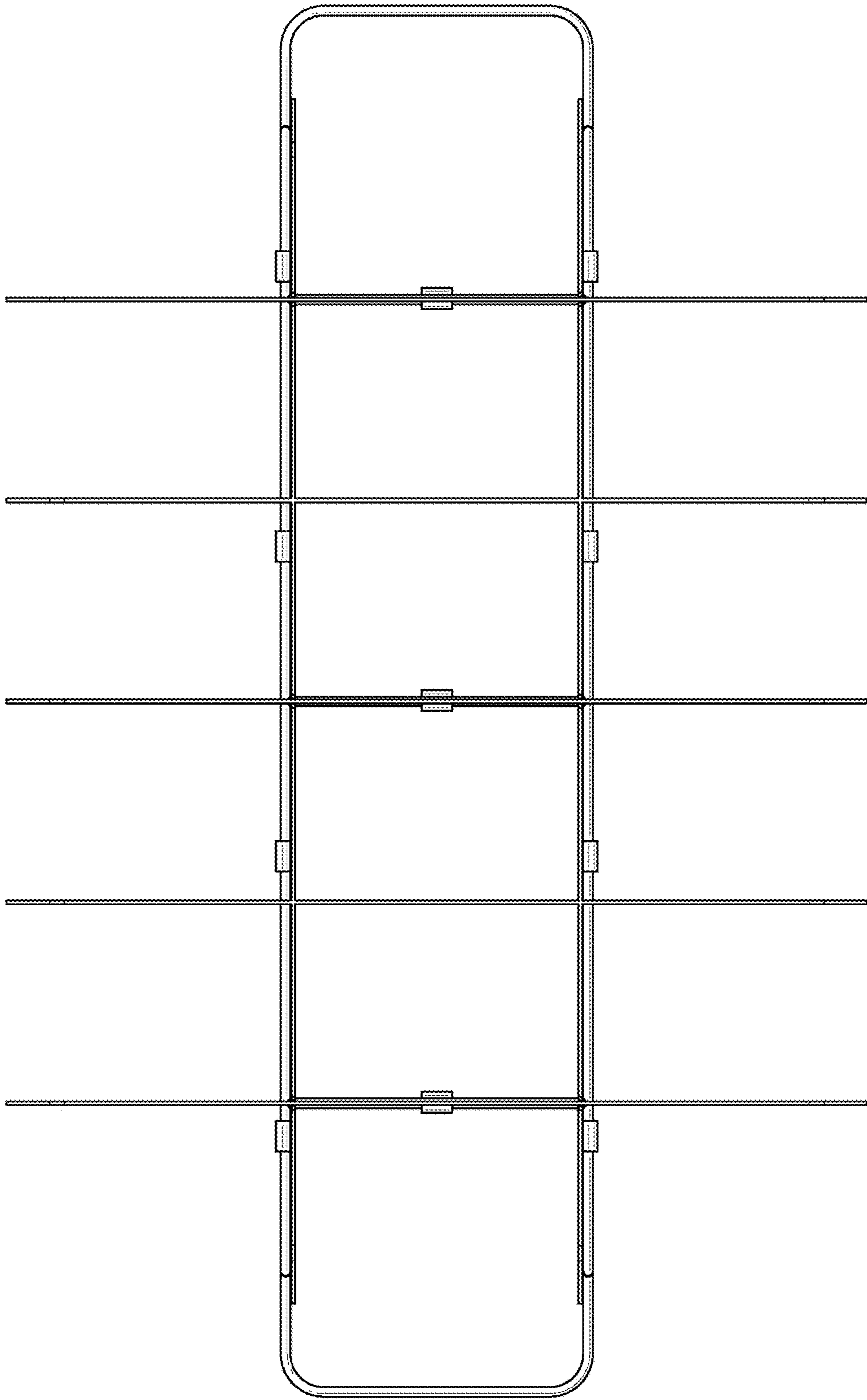


FIG. 3

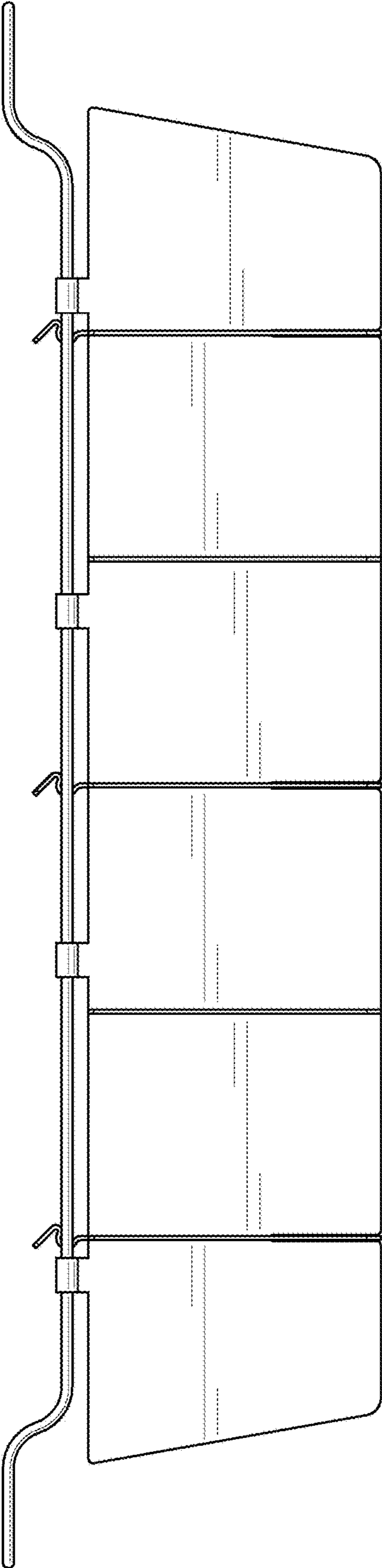


FIG. 4

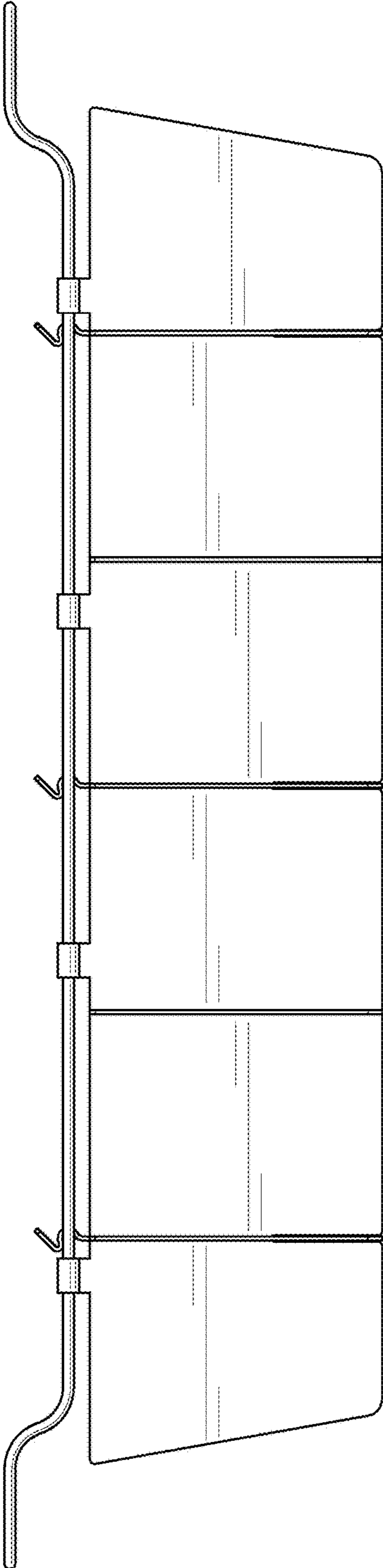


FIG. 5

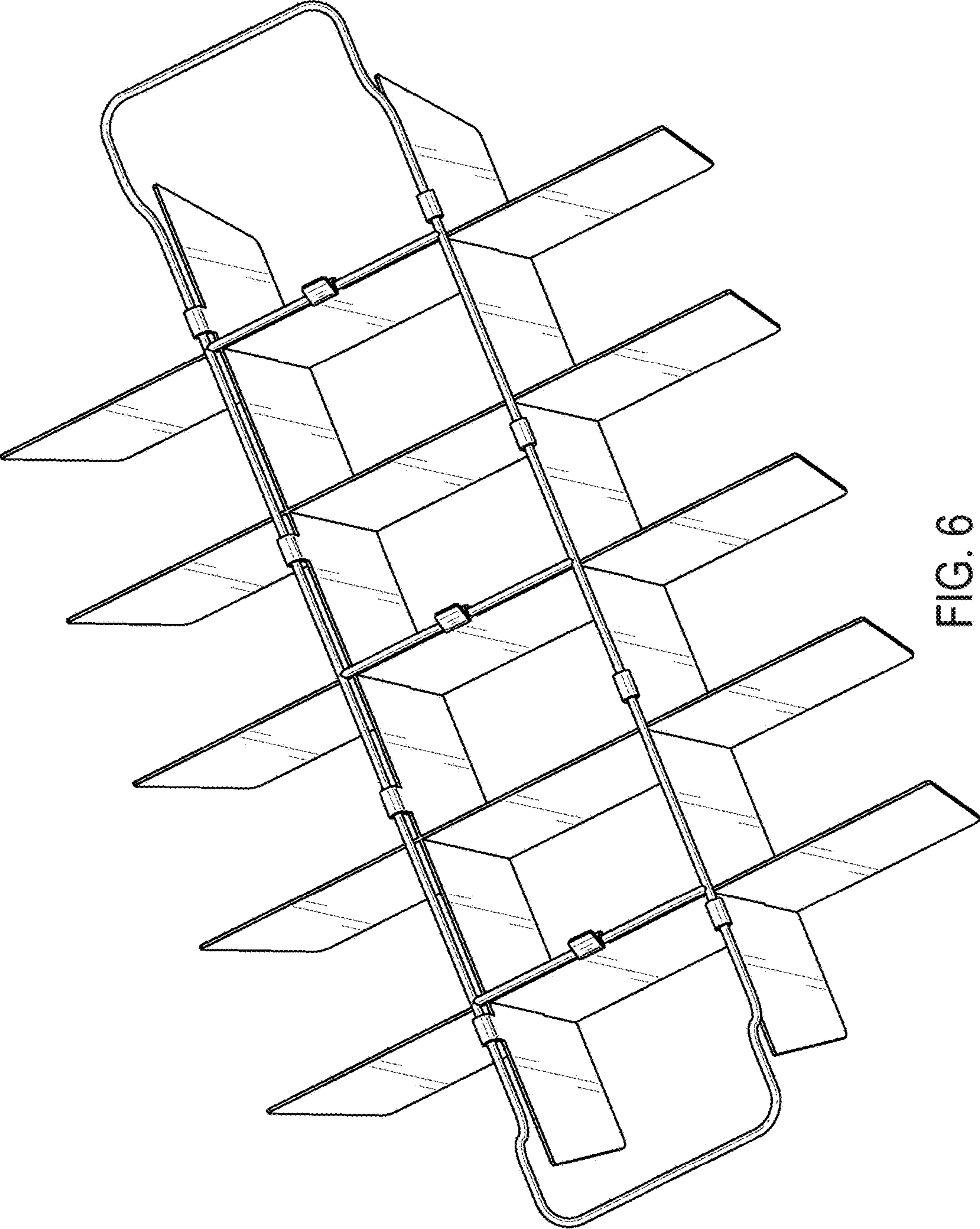


FIG. 6

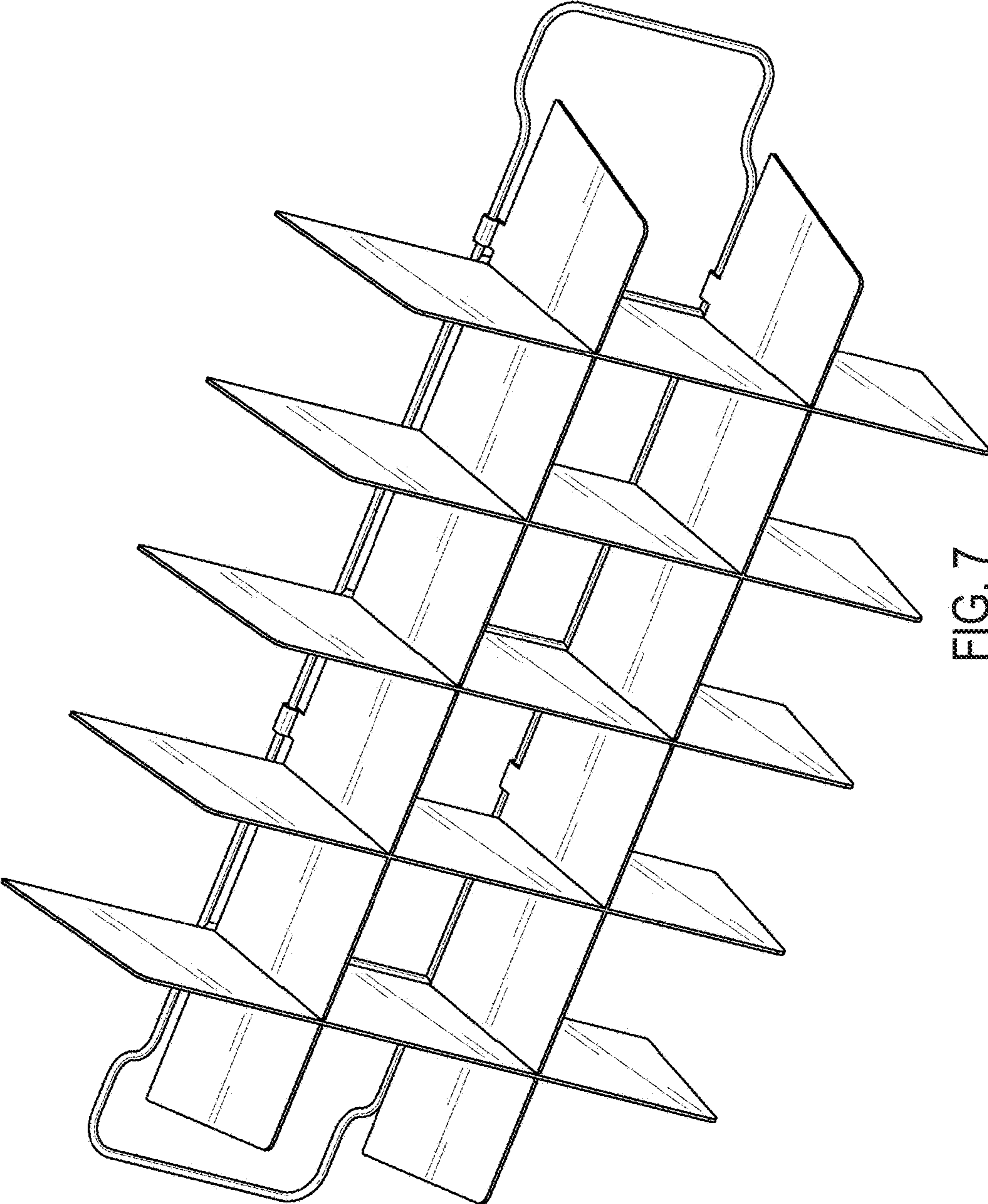


FIG. 7

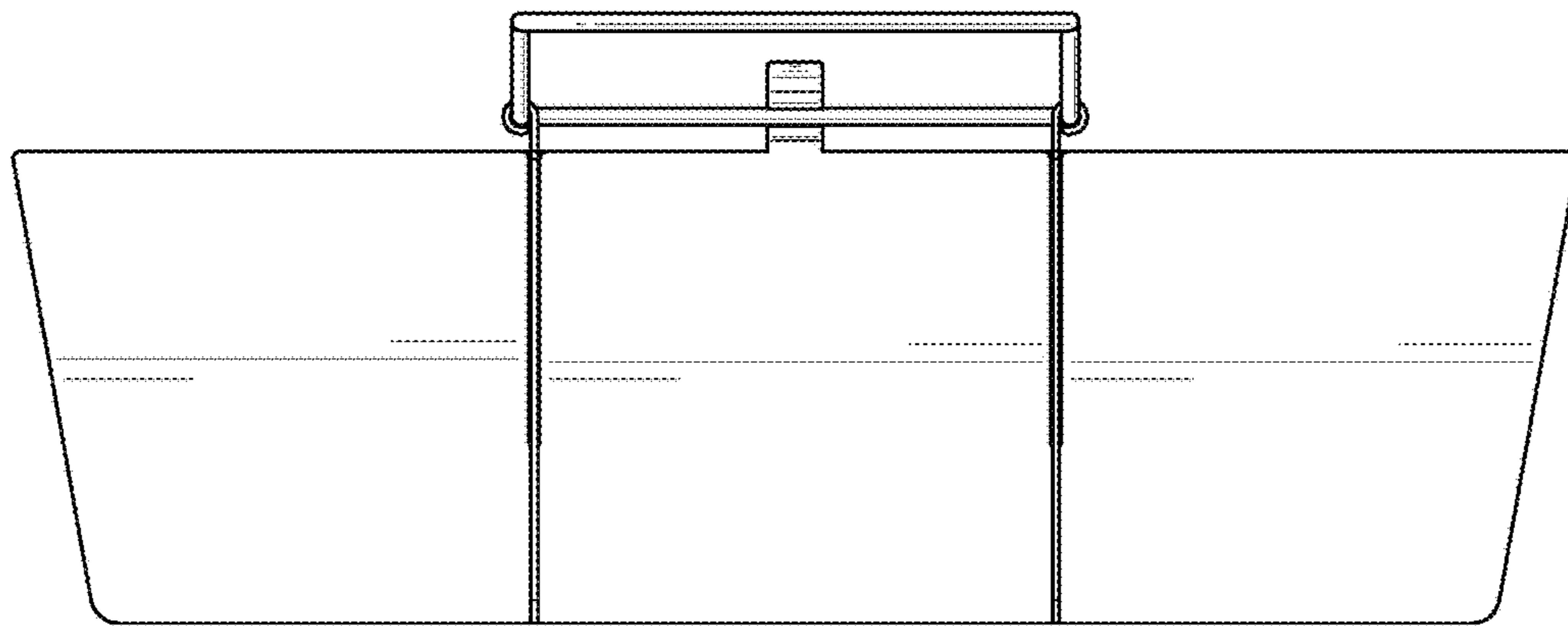


FIG. 8

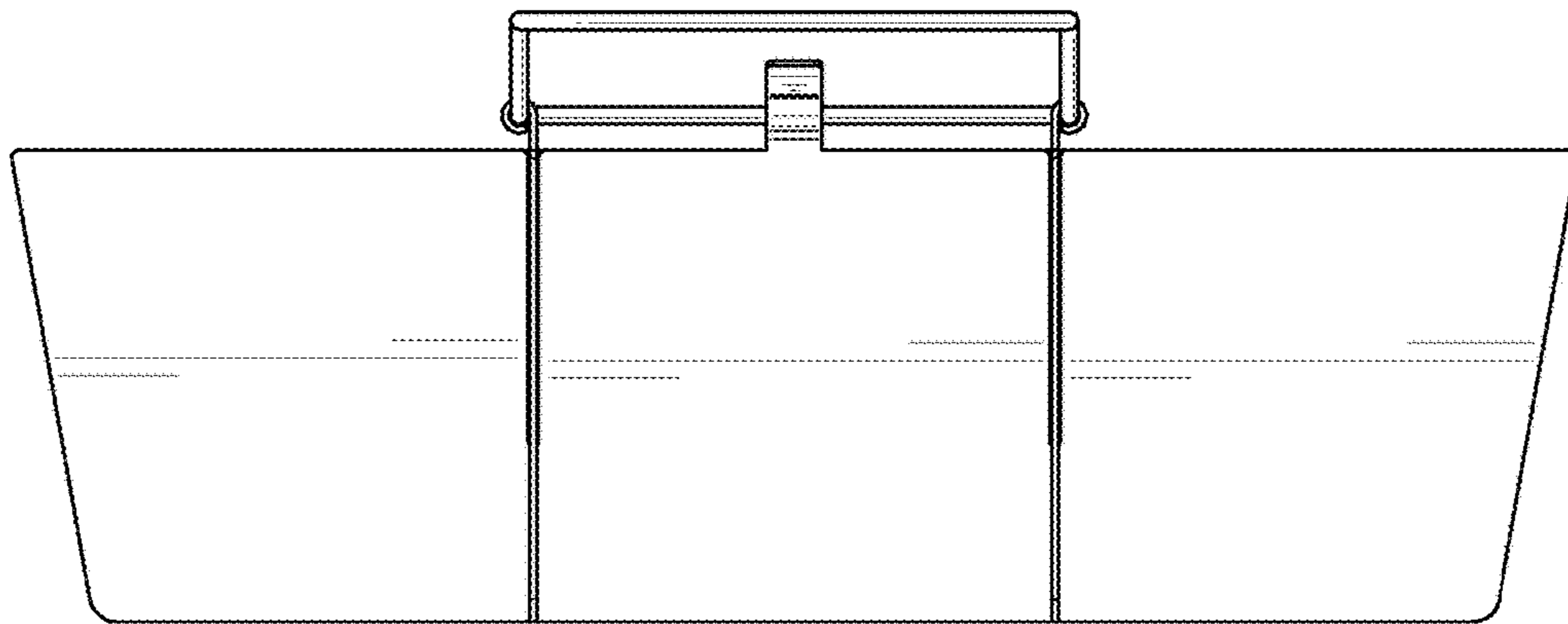


FIG. 9

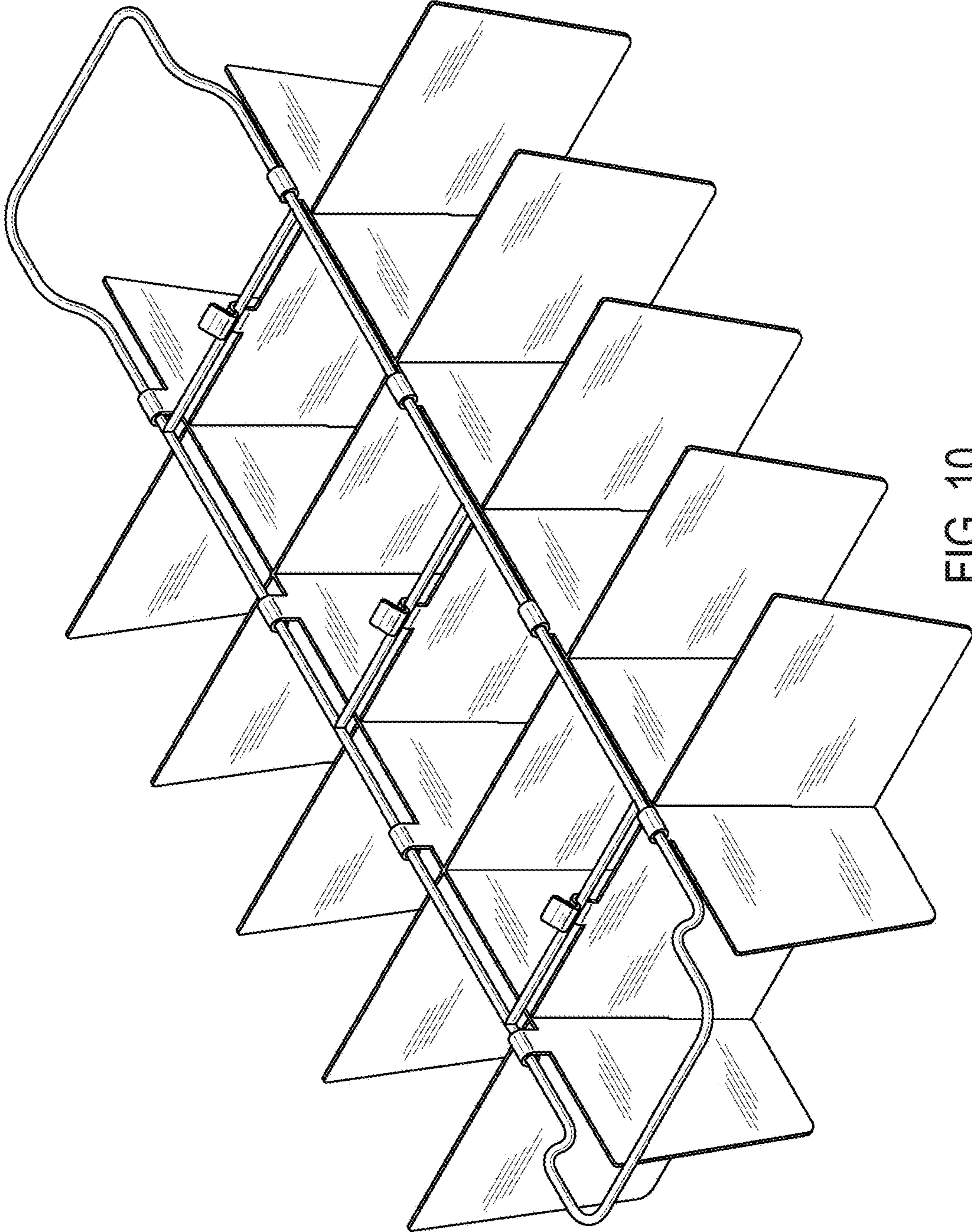


FIG. 10