



US00D816404S

(12) **United States Design Patent**
Mirchandani et al.

(10) **Patent No.:** **US D816,404 S**
(45) **Date of Patent:** **** May 1, 2018**

(54) **COOKING APPARATUS**

F24C 15/12; F24C 15/14; F24C 15/16;
F24C 15/164; F24C 15/18

See application file for complete search history.

(71) Applicant: **Tristar Products, Inc.**, Fairfield, NJ
(US)

(56) **References Cited**

(72) Inventors: **Keith Mirchandani**, Fairfield, NJ (US);
Paul McGrath, Flanders, NJ (US);
James Mitrik, Long Pond, PA (US);
Alejandro G. Lozano, Guttenberg, NJ
(US)

U.S. PATENT DOCUMENTS

1,671,450 A 5/1928 Ross
2,501,588 A * 3/1950 Somers A47J 43/282
206/804

(Continued)

(73) Assignee: **Tristar Products, Inc.**, Fairfield, NJ
(US)

FOREIGN PATENT DOCUMENTS

CA 99505 A 6/1906
CN 203776009 U 8/2014

(Continued)

(**) Term: **15 Years**

Primary Examiner — Ricky Pham

(21) Appl. No.: **29/595,961**

(74) *Attorney, Agent, or Firm* — Adler Pollock &
Sheehan P.C.; Daniel J. Holmender, Esq.

(22) Filed: **Mar. 3, 2017**

(51) **LOC (11) Cl.** **07-02**

(57) **CLAIM**

(52) **U.S. Cl.**
USPC **D7/409**; D7/354

The ornamental design for a cooking apparatus, as shown
and described.

(58) **Field of Classification Search**

DESCRIPTION

USPC D3/314; D7/323, 332, 335–337,
D7/354–355, 359–364, 387–388, 402,
D7/407–409, 552.1, 629; D8/377
CPC A21B 2/00; A21B 3/00; A21B 3/13; A21B
3/15; A21B 5/00; A21B 5/02; A23N
12/06; A23N 12/08; A23N 12/10; A47J
36/16; A47J 37/00; A47J 37/04; A47J
37/041; A47J 37/042; A47J 37/06; A47J
37/0688; A47J 37/0694; A47J 37/07;
A47J 37/0704; A47J 37/10; A47J 37/108;
A47J 43/282; A47J 47/20; A47J 2037/00;
A47J 2037/06; A47J 2037/0611; A47J
2037/07; A47J 2037/0786; A47J
2037/0795; B65D 21/0204; F24C 15/10;

FIG. 1 is a top perspective view of a first embodiment of a
cooking apparatus in accordance with the subject disclosure.
FIG. 2 is a right side view of the cooking apparatus of FIG.
1.
FIG. 3 is a left side view of the cooking apparatus of FIG.
1.
FIG. 4 is a front view of the cooking apparatus of FIG. 1.
FIG. 5 is a rear view of the cooking apparatus of FIG. 1.
FIG. 6 is a top view of the cooking apparatus of FIG. 1.
FIG. 7 is a bottom view of the cooking apparatus of FIG. 1.
FIG. 8 is another top perspective view of the cooking
apparatus of FIG. 1.
FIG. 9 is a bottom perspective view of the cooking apparatus
of FIG. 1; and,

(Continued)

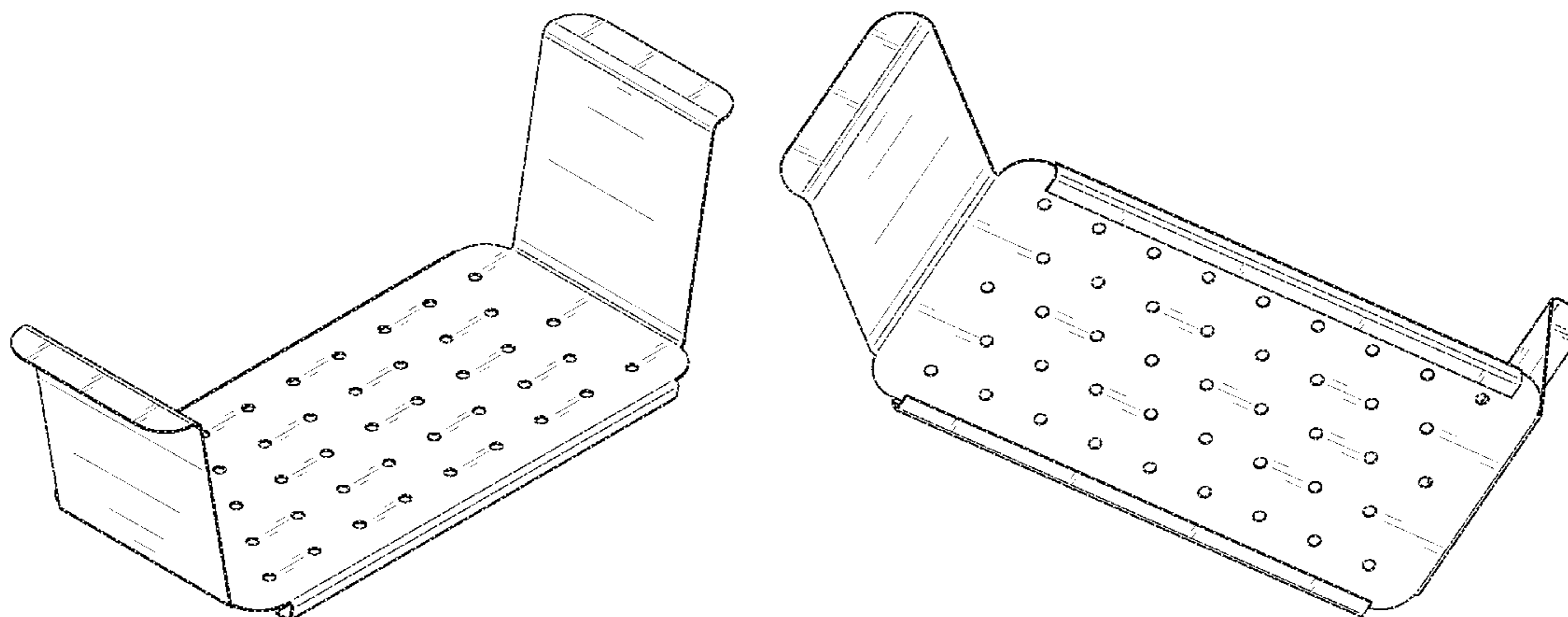


FIG. 10 is a top perspective view of a second embodiment of the cooking apparatus of FIG. 1 indicating surface shading for metal.

1 Claim, 10 Drawing Sheets

(56)

References Cited

U.S. PATENT DOCUMENTS

4,014,451	A	3/1977	Cannon et al.	
4,106,486	A	8/1978	Lee	
4,195,747	A	4/1980	Hare	
4,291,616	A *	9/1981	Taylor	A47J 37/108 99/446
D286,496	S *	11/1986	Daenen	D32/57
4,865,858	A	9/1989	Petcavich	
D308,274	S *	5/1990	Gosselin	D3/314
D332,204	S *	1/1993	Carlson	D7/629
D340,614	S *	10/1993	Kaeding	D7/354
D384,555	S	10/1997	Bradley	
5,800,853	A	9/1998	Wang	
6,092,684	A *	7/2000	Sato	B65D 21/0204 206/504
D437,180	S	2/2001	Emrich	
D445,633	S	7/2001	Bradley	
D466,758	S	12/2002	Bradley	
6,546,850	B1	4/2003	Akiyama-Warren	
D528,376	S	9/2006	Munson et al.	

D545,092	S *	6/2007	Knorring, Jr.	A47F 1/12 D8/377
D559,621	S	1/2008	Raichlen et al.	
D569,169	S	5/2008	Munson	
D584,112	S	1/2009	Ehrenhaus et al.	
D588,859	S	3/2009	Simon et al.	
D615,825	S	5/2010	Curtin	
D630,886	S *	1/2011	Thanasouk	D7/354
D641,217	S	7/2011	Chen et al.	
D662,781	S *	7/2012	Pallotto	D7/552.1
D684,733	S	6/2013	Altoon	
D777,535	S	1/2017	Zemel et al.	
9,723,949	B2 *	8/2017	Moore	A47J 36/16
D801,104	S *	10/2017	Mirchandani	D7/354
2005/0098046	A1	5/2005	Morgan	
2010/0263552	A1	10/2010	Hendrickson	
2015/0069215	A1	3/2015	Kohnen	
2015/0201802	A1 *	7/2015	Moore	A47J 36/16 426/389
2015/0250189	A1	9/2015	Marin Moro	

FOREIGN PATENT DOCUMENTS

GB	802872	A	10/1958
GB	835370	A	5/1960
GB	2073582	A	10/1981
GB	2075824	A	11/1981
GB	2451496	A	2/2009
JP	2009508512	A	3/2009
WO	WO-890210	A1	1/1989
WO	WO-9533360	A1	12/1995
WO	WO-2006062527	A1	6/2006

* cited by examiner

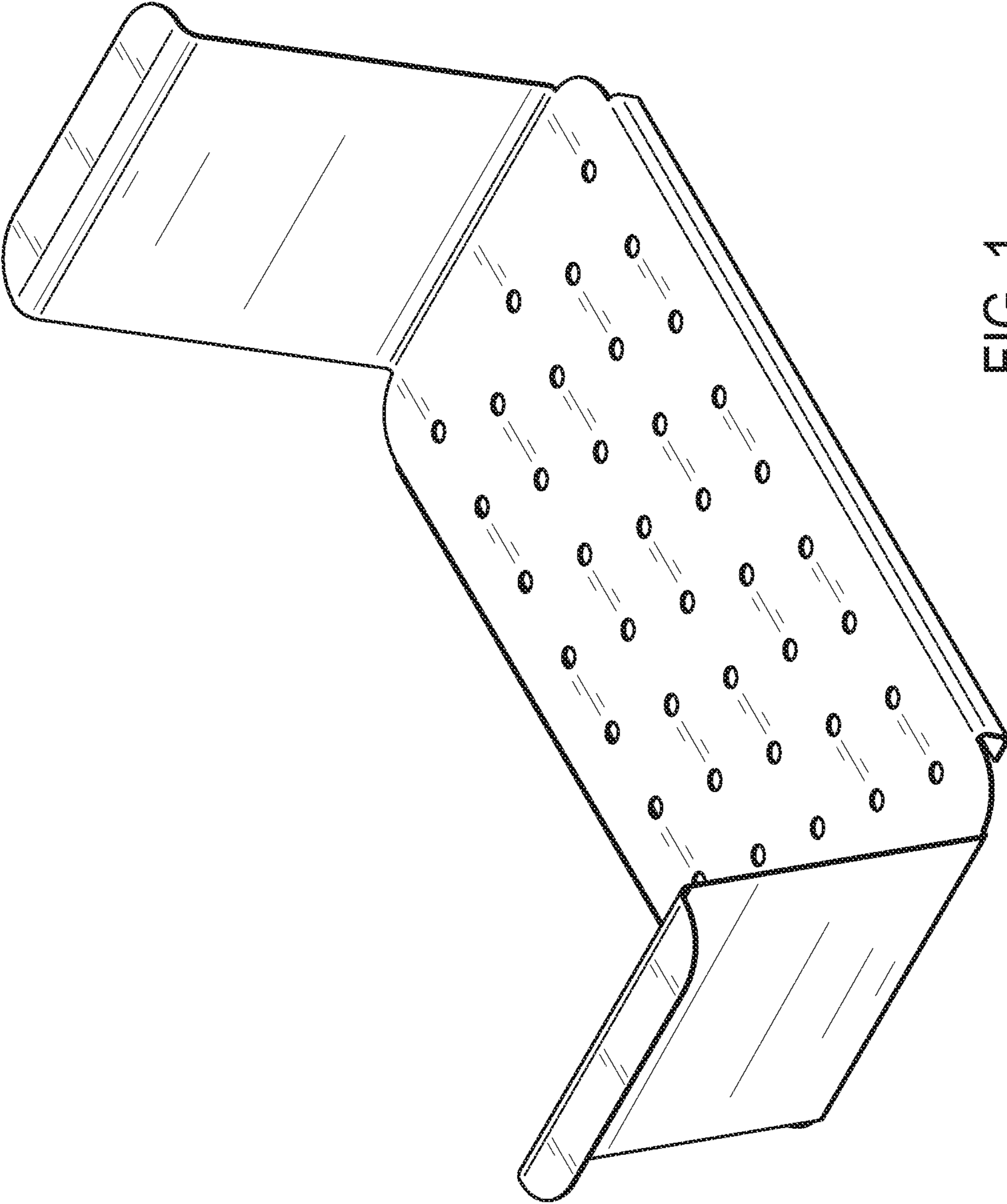


FIG. 1

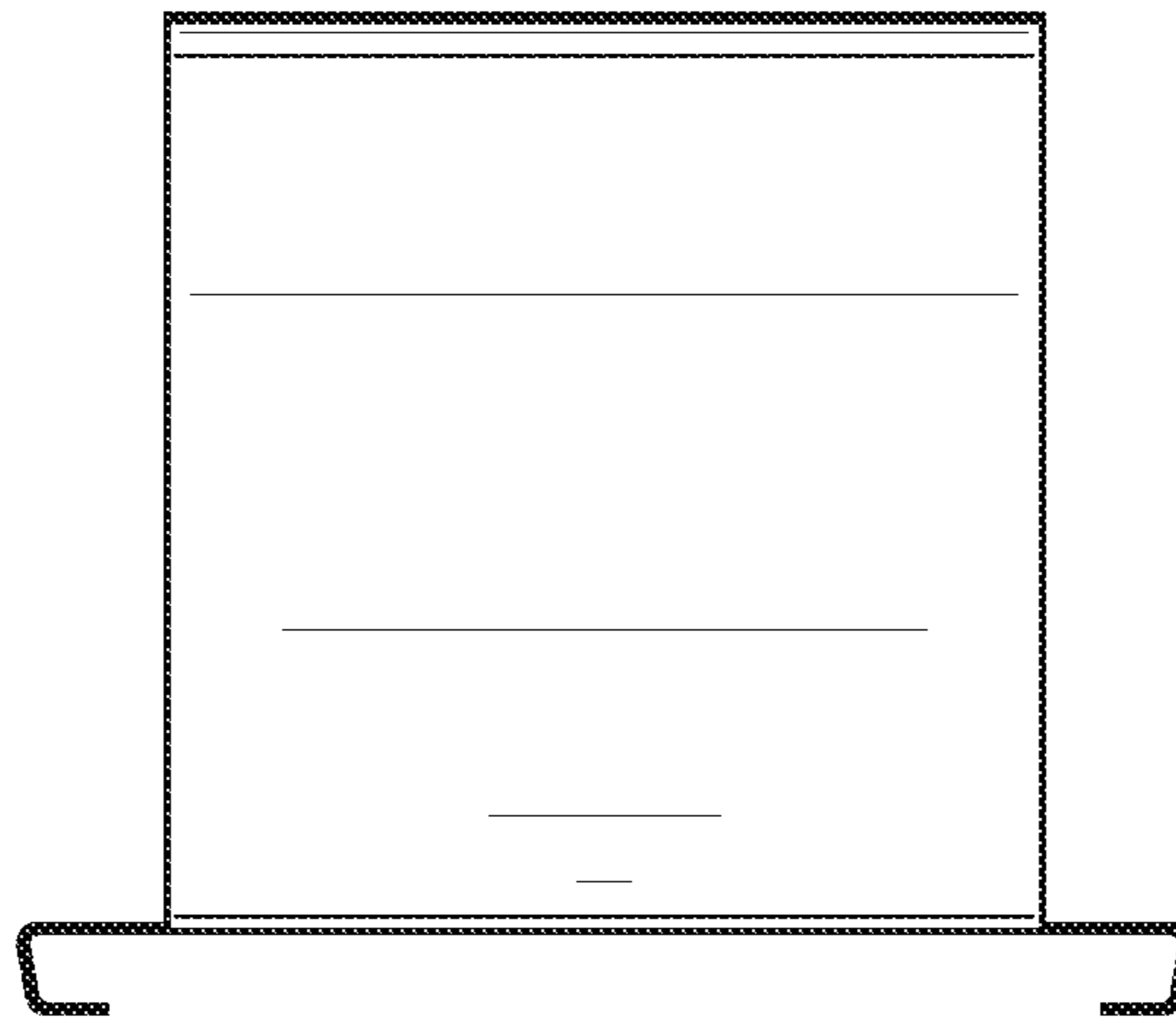


FIG. 2

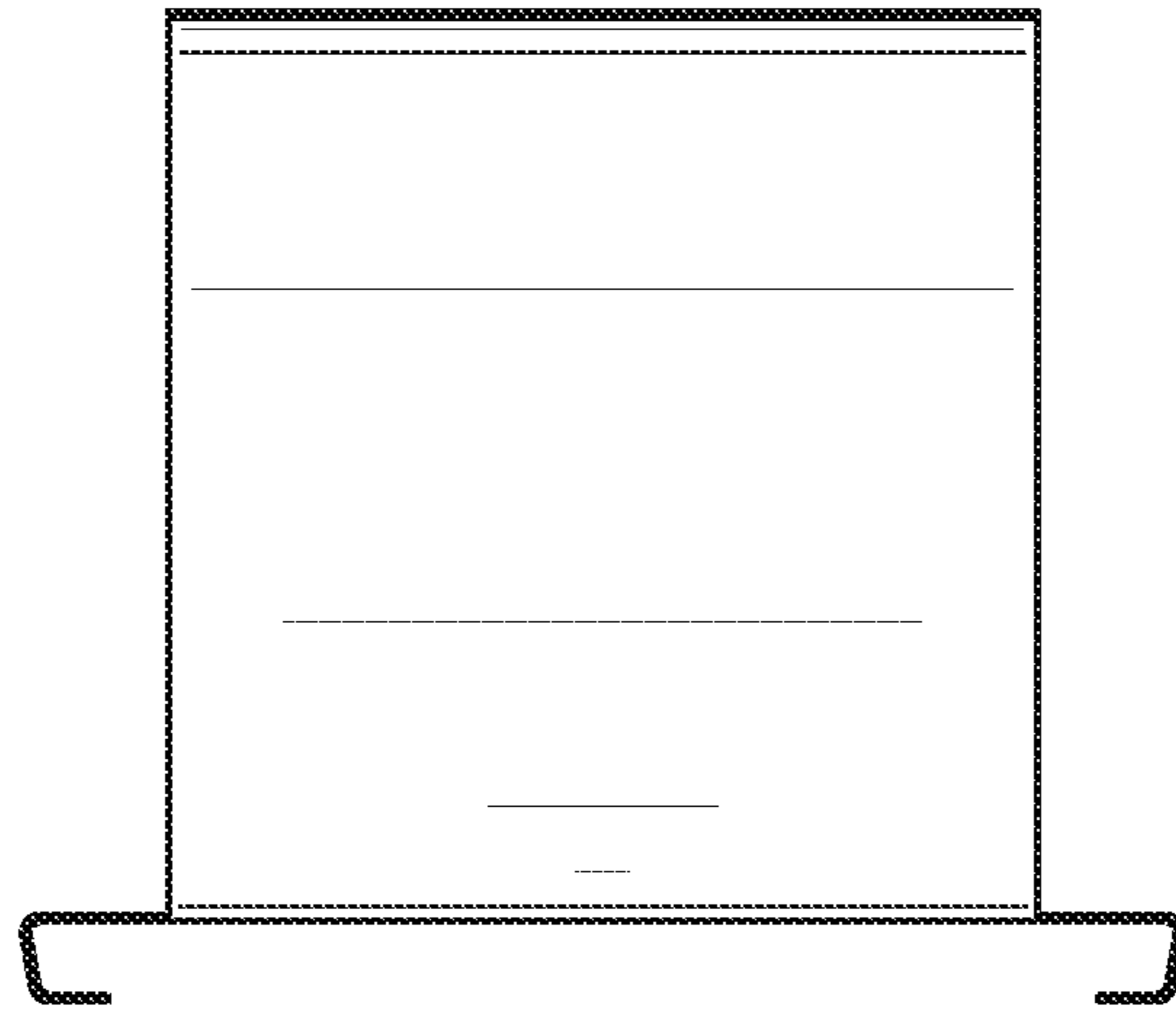


FIG. 3

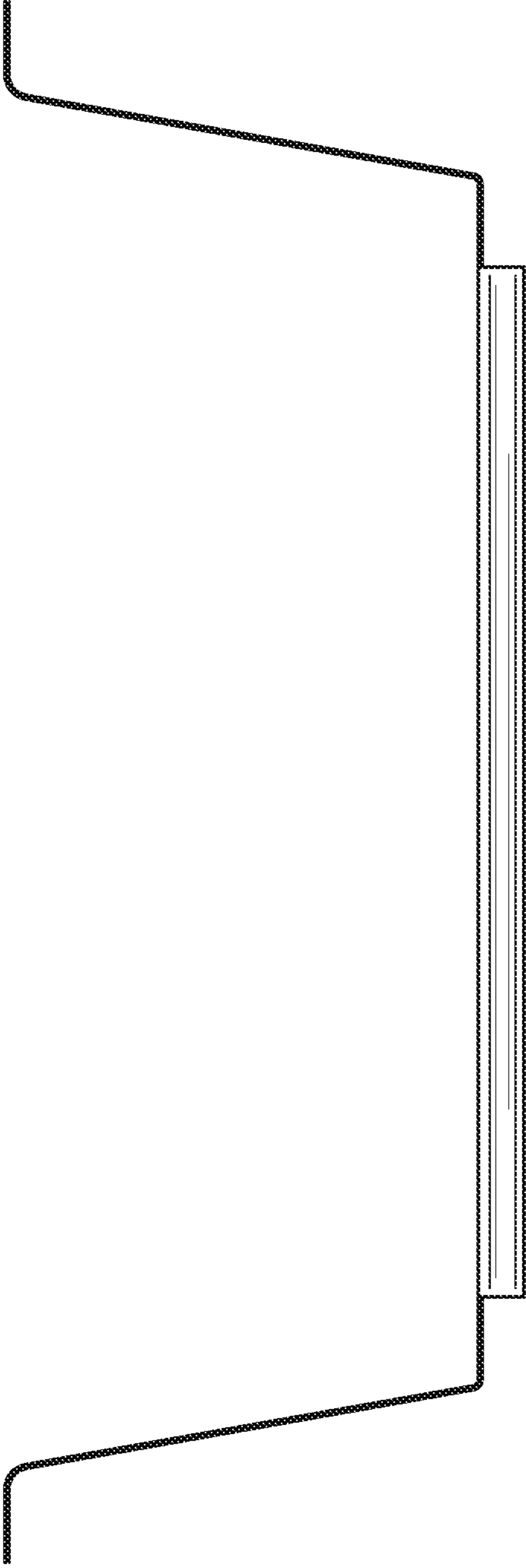


FIG. 4

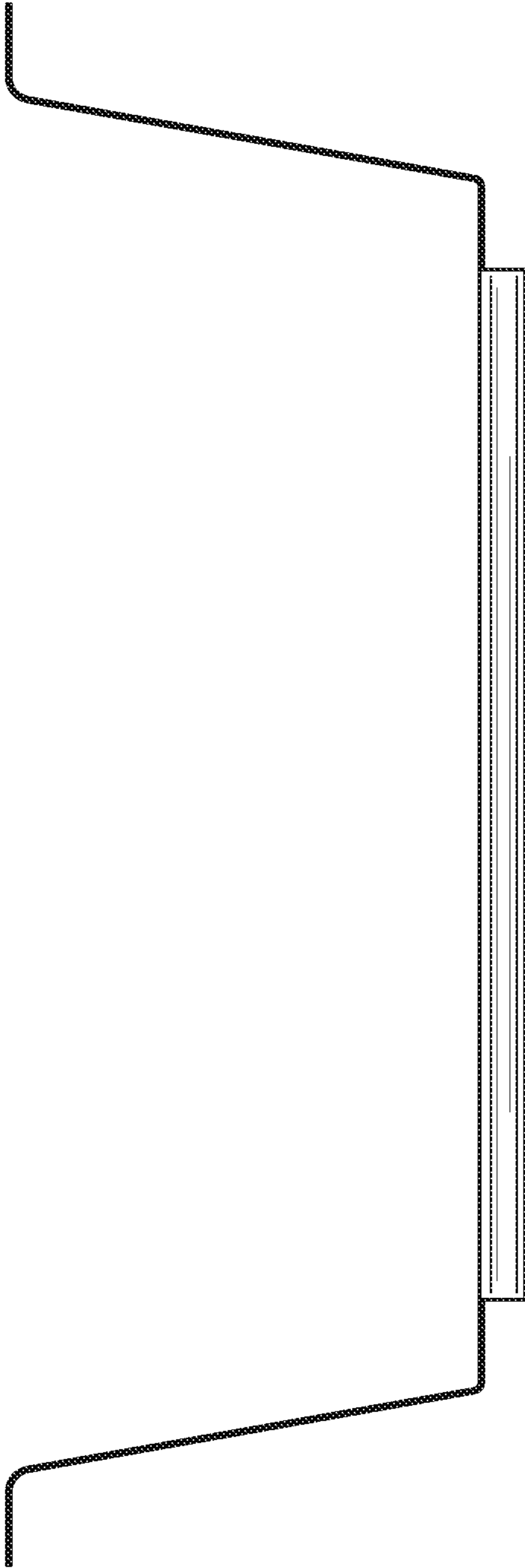


FIG. 5

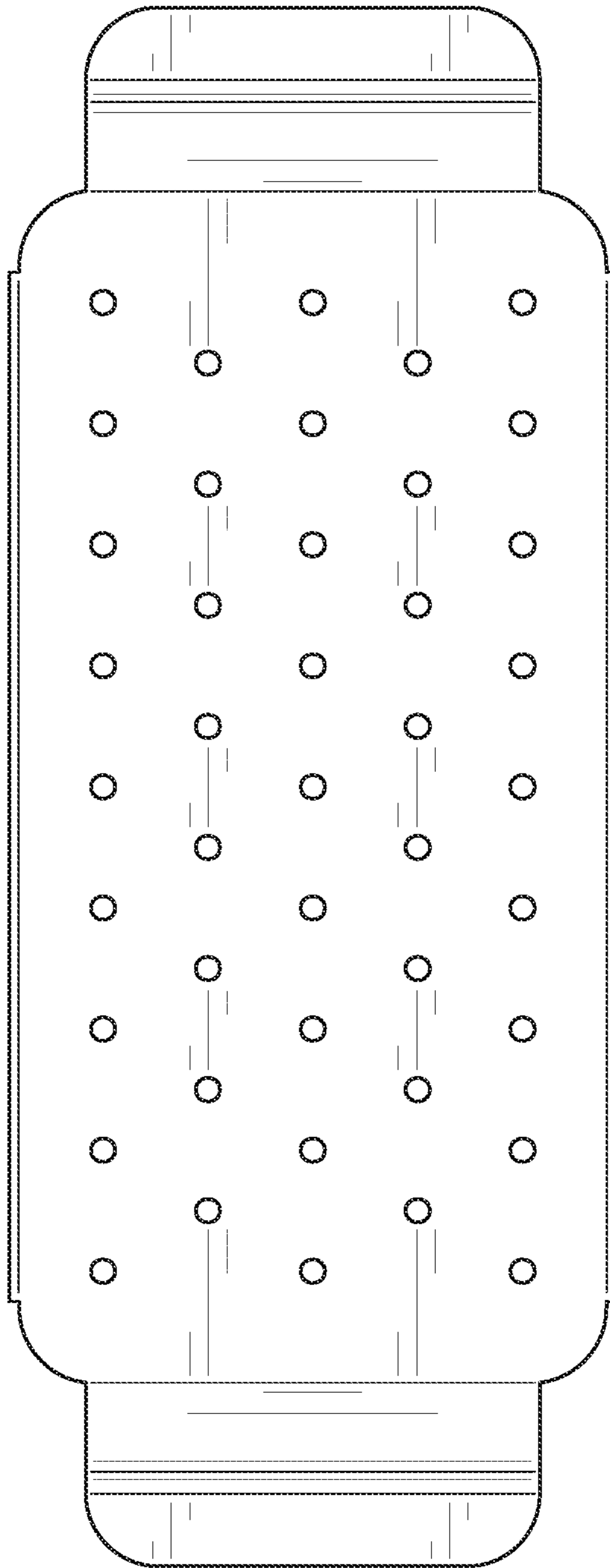


FIG. 6

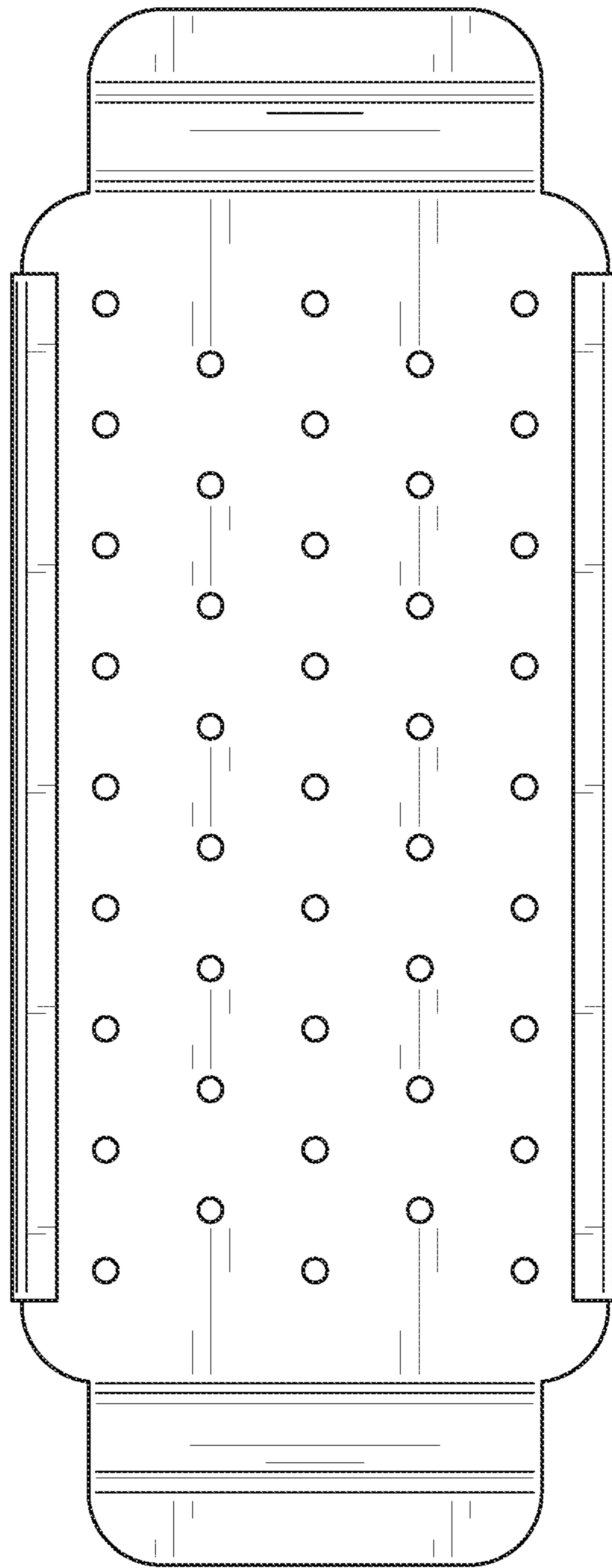


FIG. 7

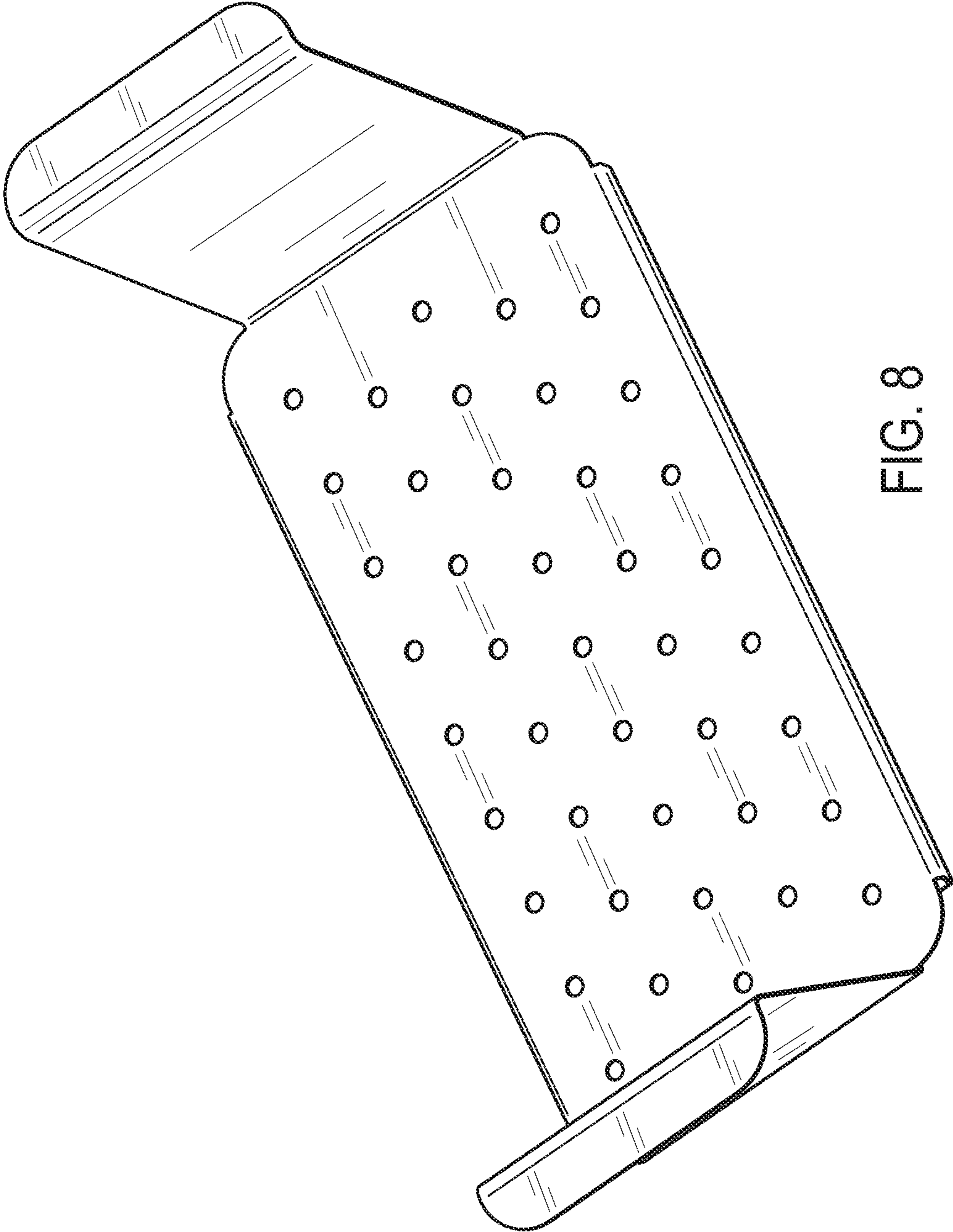


FIG. 8

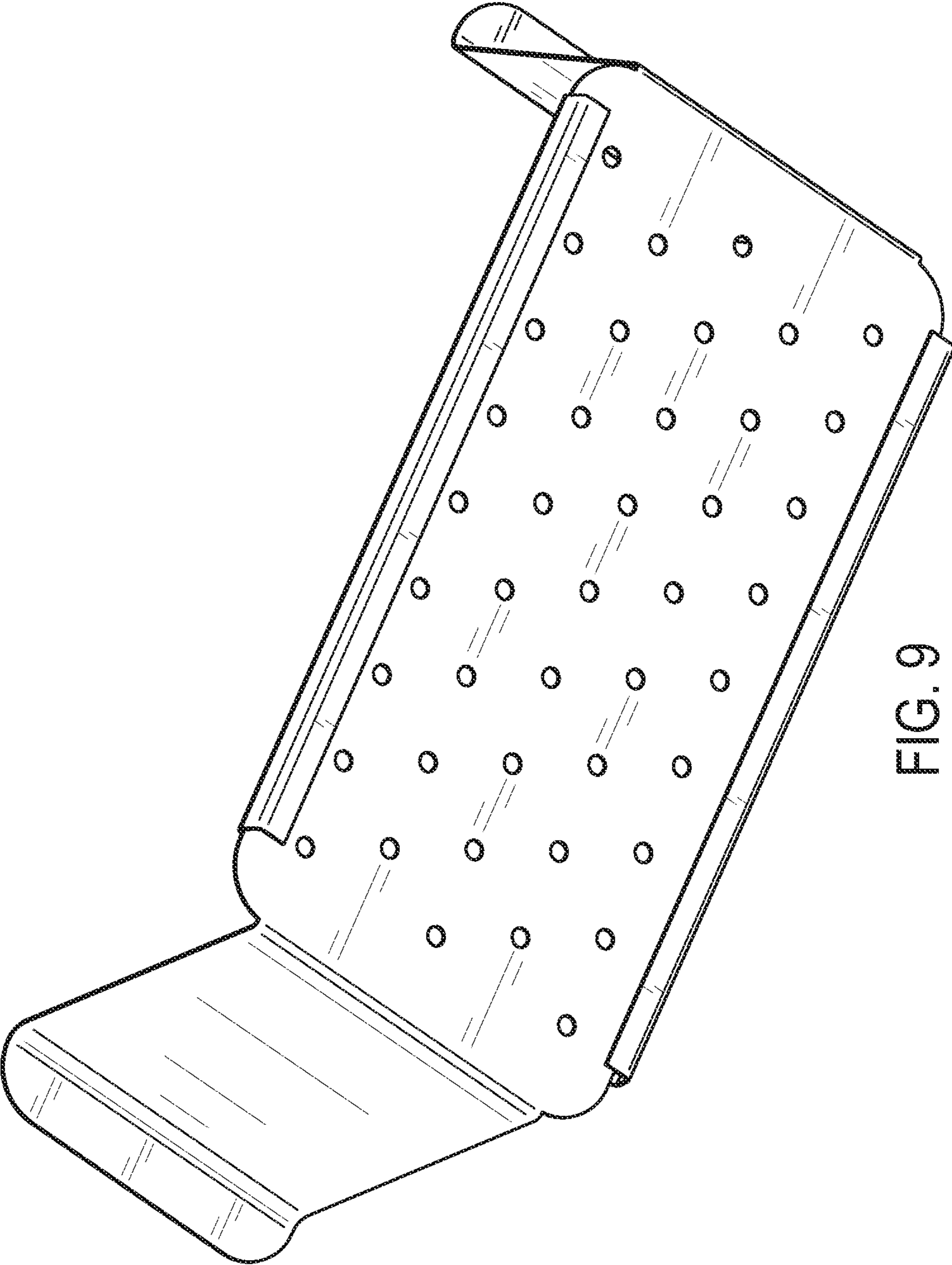


FIG. 9

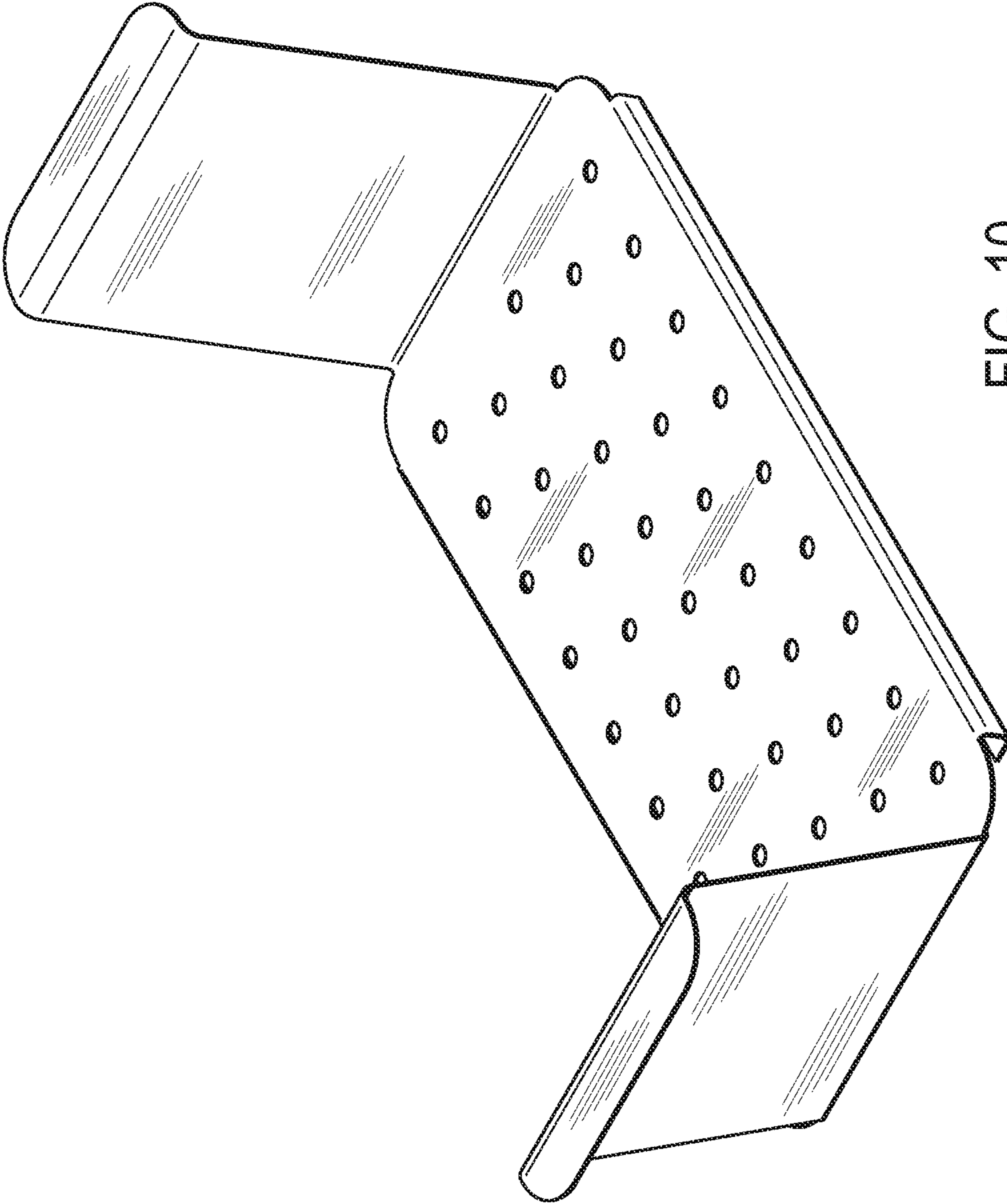


FIG. 10