



US00D816403S

(12) **United States Design Patent** (10) **Patent No.:** **US D816,403 S**  
**Ward et al.** (45) **Date of Patent:** **\*\* May 1, 2018**

- (54) **GRILL PLATFORM**
- (71) Applicant: **W.C. Bradley Co.**, Columbus, GA (US)
- (72) Inventors: **Thomas H. Ward**, Cataula, GA (US);  
**Mark Edward Davis**, Columbus, GA (US);  
**Stephen Jones**, Sandy Springs, GA (US);  
**Jeffrey Raymond Juskowich**, Mableton, GA (US)
- (73) Assignee: **W.C. Bradley Co.**, Columbus, GA (US)
- (\*\*) Term: **15 Years**
- (21) Appl. No.: **29/545,790**
- (22) Filed: **Nov. 16, 2015**
- (51) **LOC (11) Cl.** ..... **07-02**
- (52) **U.S. Cl.**  
USPC ..... **D7/406**
- (58) **Field of Classification Search**  
USPC ..... D7/402-409, 332-337, 323  
CPC .... A47J 37/07; A47J 37/0704; A47J 37/0763;  
A47J 37/0709; A47J 37/0713  
See application file for complete search history.

- 2012/0012091 A1\* 1/2012 Home ..... A47J 37/0713  
126/38
- 2016/0206149 A1\* 7/2016 Rosian ..... A47J 37/0786
- 2016/0360924 A1\* 12/2016 Bruin-Slot ..... A47J 37/0694

\* cited by examiner

*Primary Examiner* — Sheryl Lane  
*Assistant Examiner* — Nicole C Shiflet  
(74) *Attorney, Agent, or Firm* — David G. Woodral;  
Gable Gotwals

(57) **CLAIM**

The ornamental design for a grill platform, as shown and described.

**DESCRIPTION**

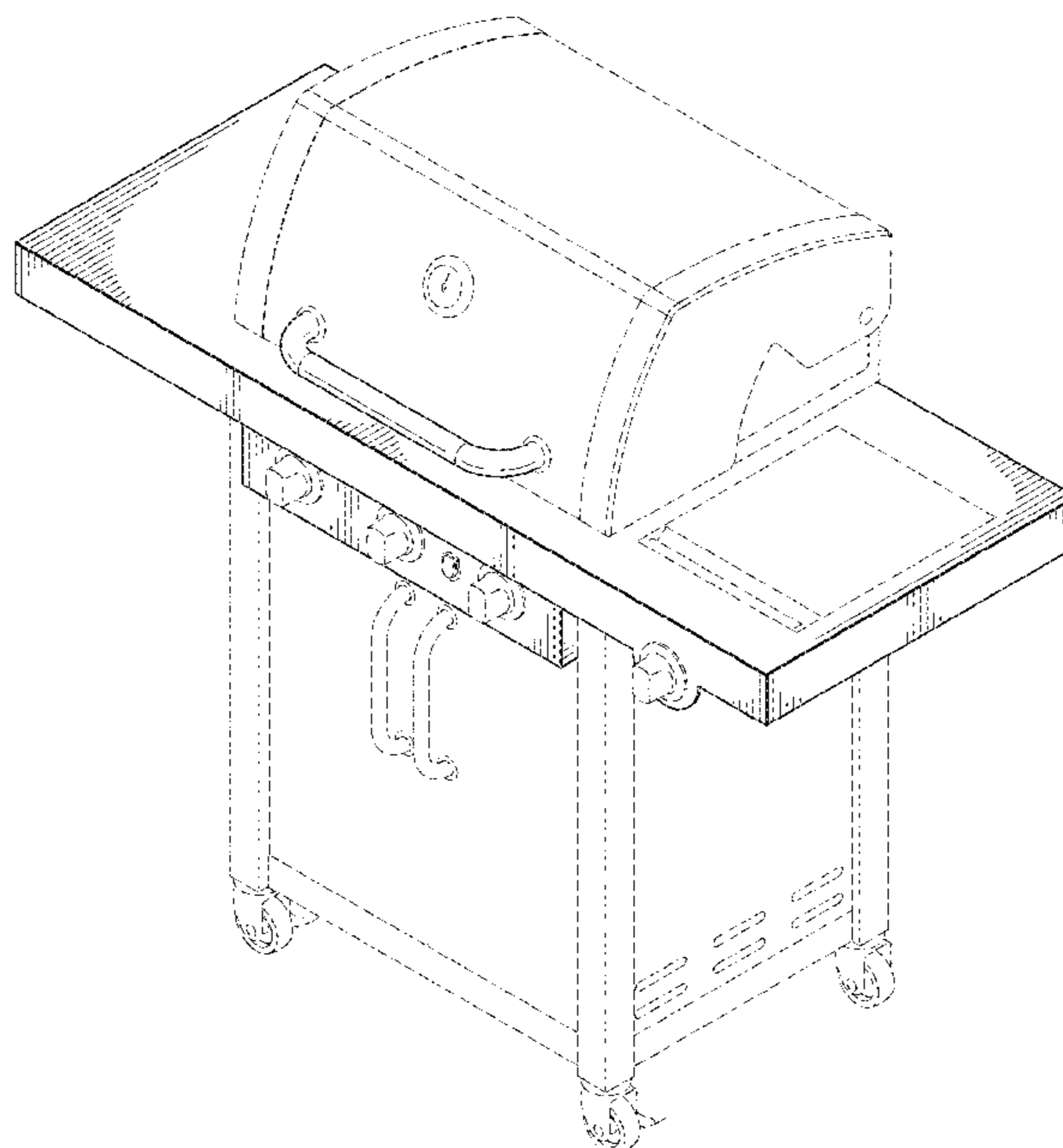
FIG. 1 is a right frontal isometric view of the grill platform of the invention.  
FIG. 2 is a front elevational view of the grill platform of the invention.  
FIG. 3 is a rear elevational view of the grill platform of the invention.  
FIG. 4 is a right elevational view of the grill platform of the invention.  
FIG. 5 is a left elevational view of the grill platform of the invention.  
FIG. 6 is a top plan view of the grill platform of the invention; and,  
FIG. 7 is a bottom plan view of the grill platform of the invention.  
The broken lines in the drawings of the grill platform are for environmental illustration only and form no part of the claimed design.

**1 Claim, 6 Drawing Sheets**

(56) **References Cited**

**U.S. PATENT DOCUMENTS**

D263,960 S *	4/1982	Berg	.....	D7/323
D449,491 S *	10/2001	Measom	.....	D7/334
D450,524 S *	11/2001	Measom	.....	D7/332
D461,359 S *	8/2002	Coleman	.....	D7/334
D465,123 S *	11/2002	Coleman	.....	D7/334
D465,693 S *	11/2002	Coleman	.....	D7/334
D475,235 S *	6/2003	Home	.....	D7/334
D516,367 S *	3/2006	Lutz	.....	D7/335
D546,616 S *	7/2007	Tseng	.....	D7/334
D547,109 S *	7/2007	Tseng	.....	D7/334



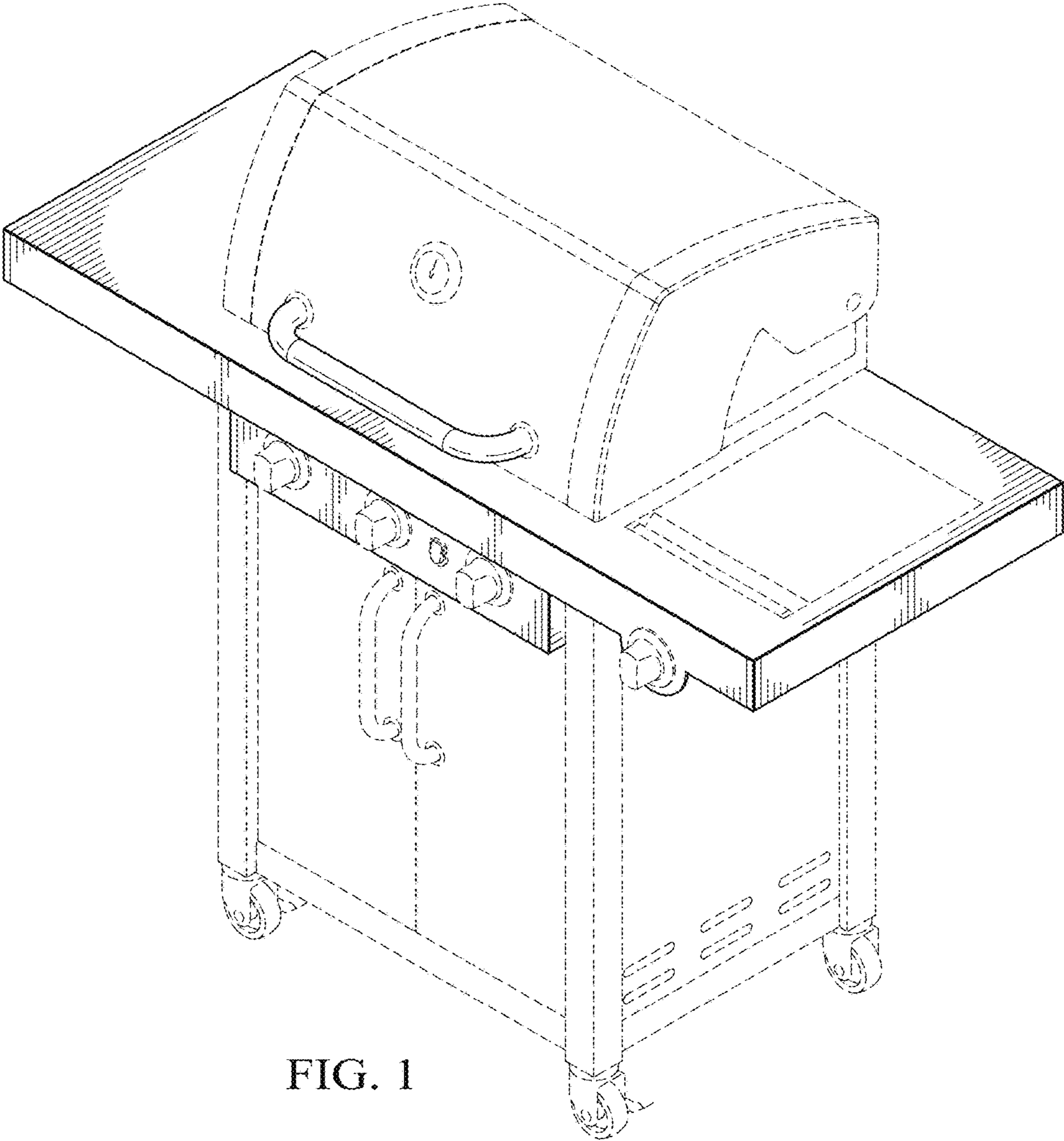


FIG. 1

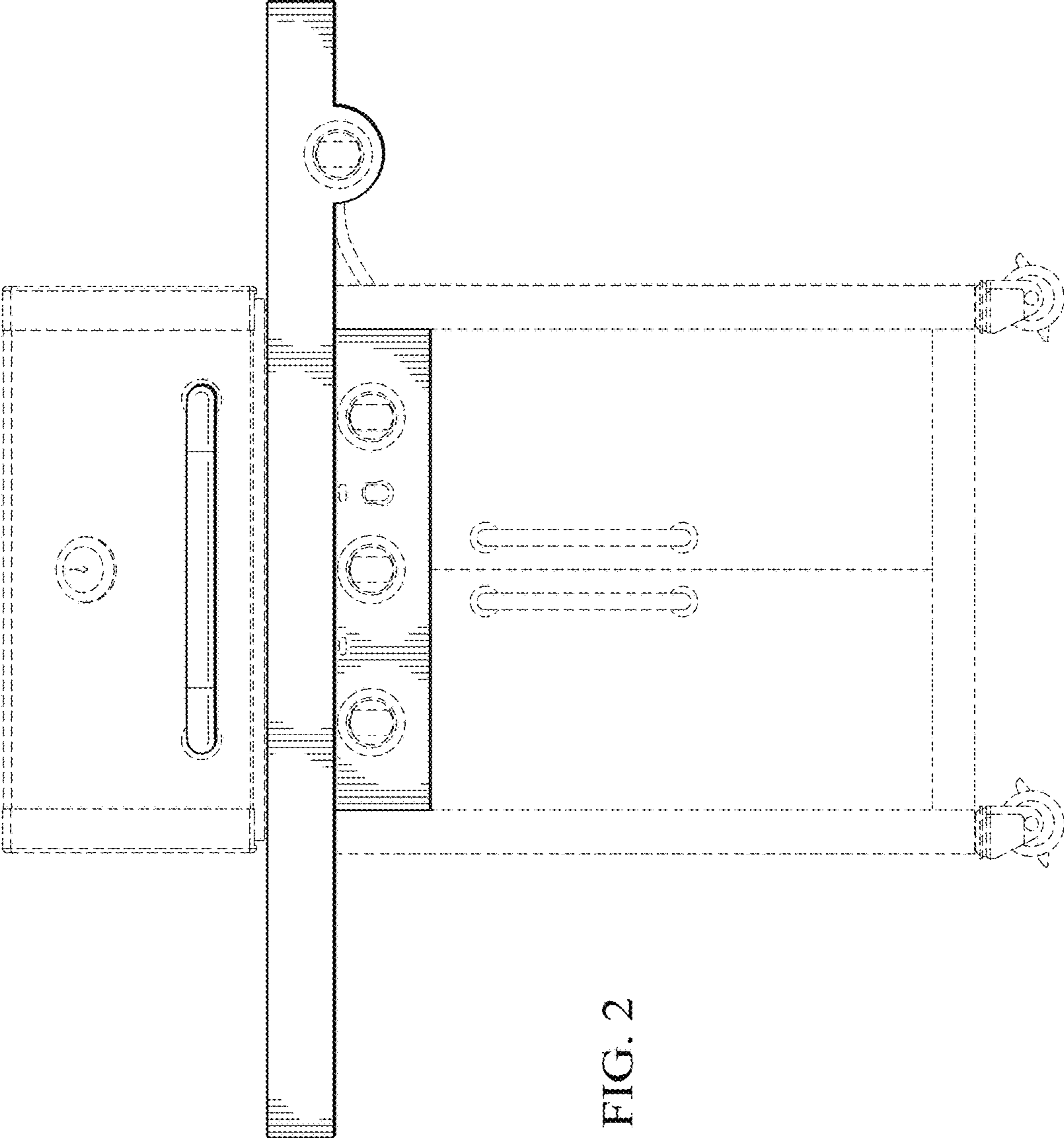


FIG. 2

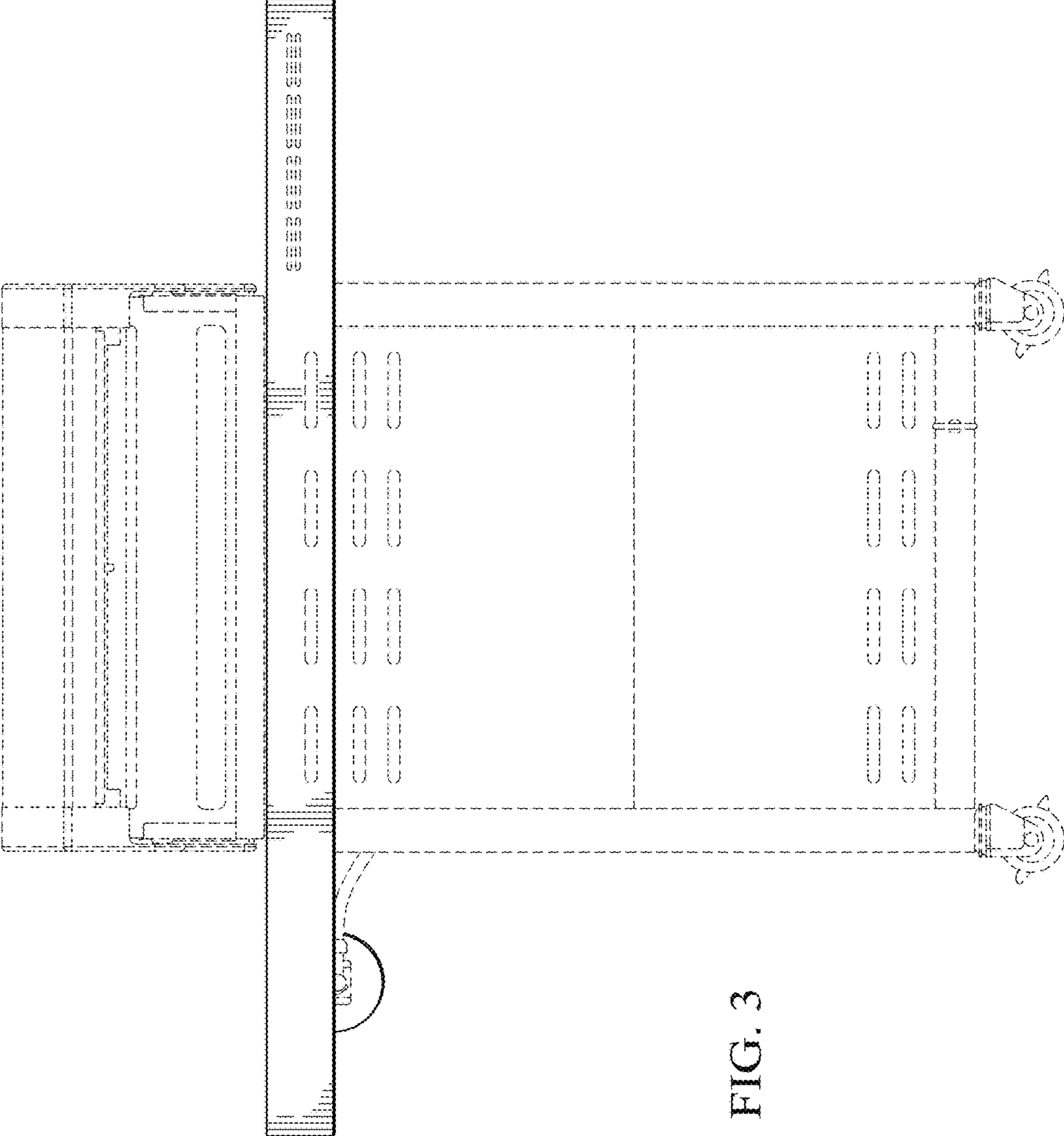


FIG. 3

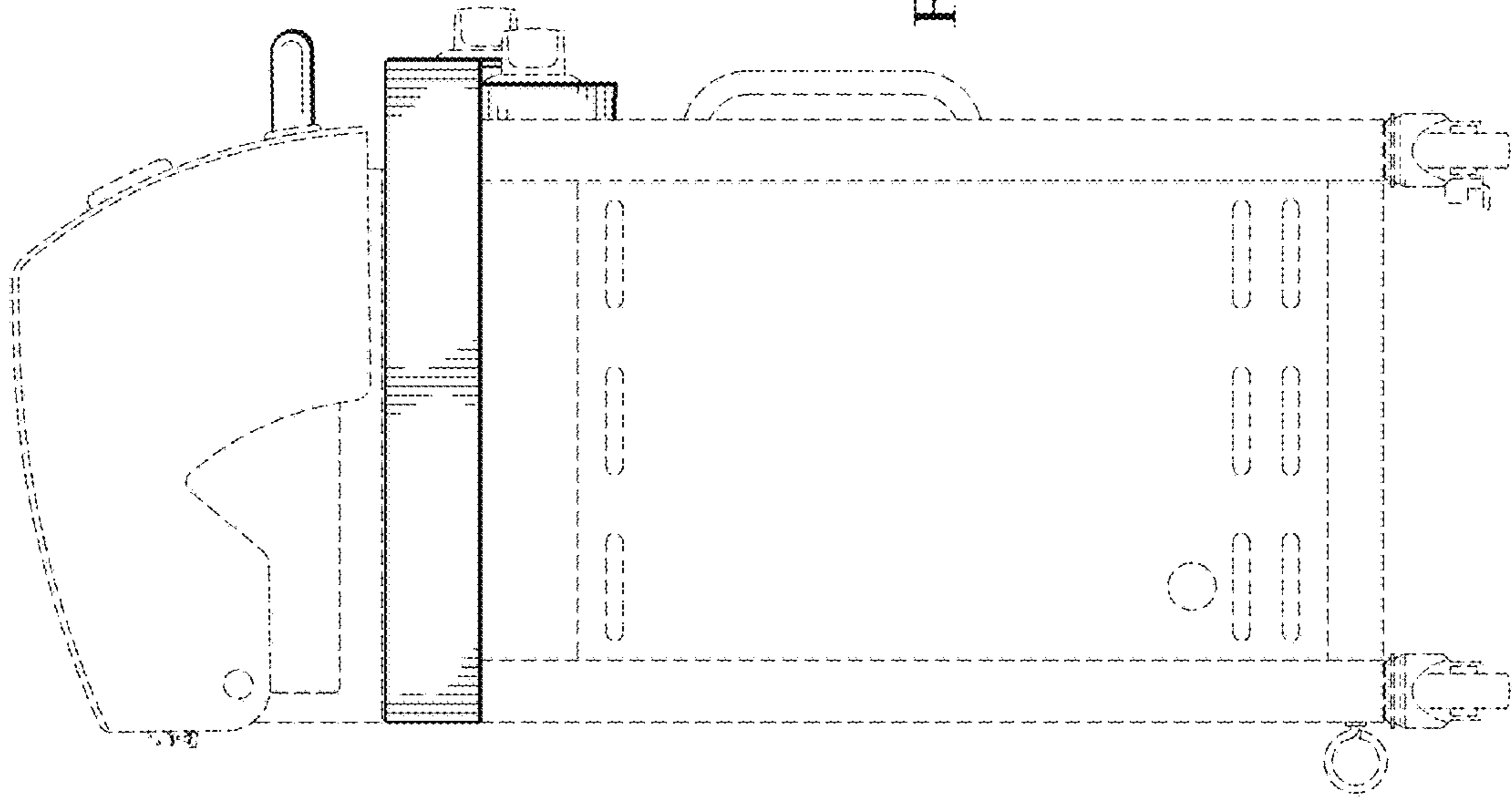


FIG. 5

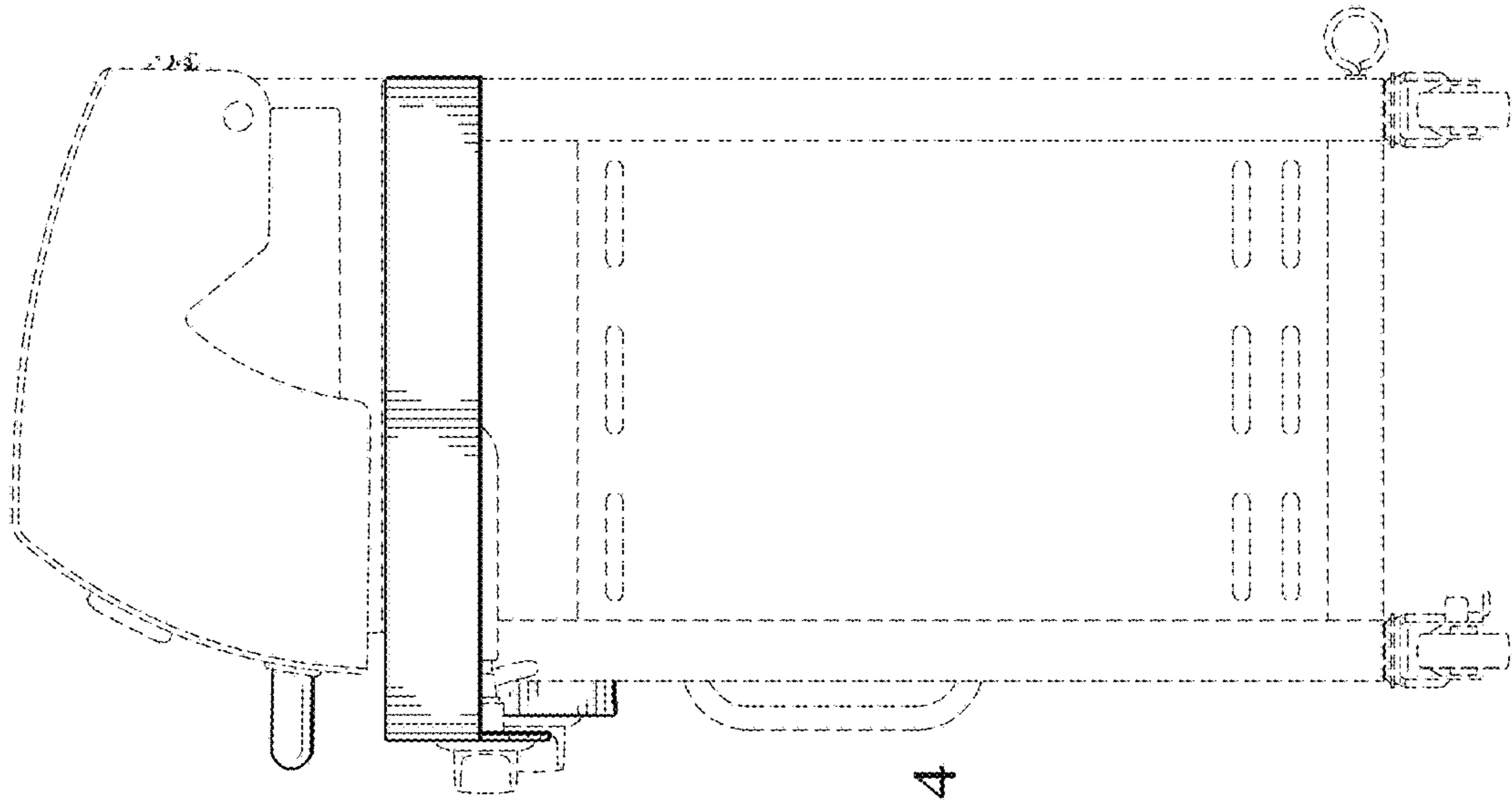


FIG. 4

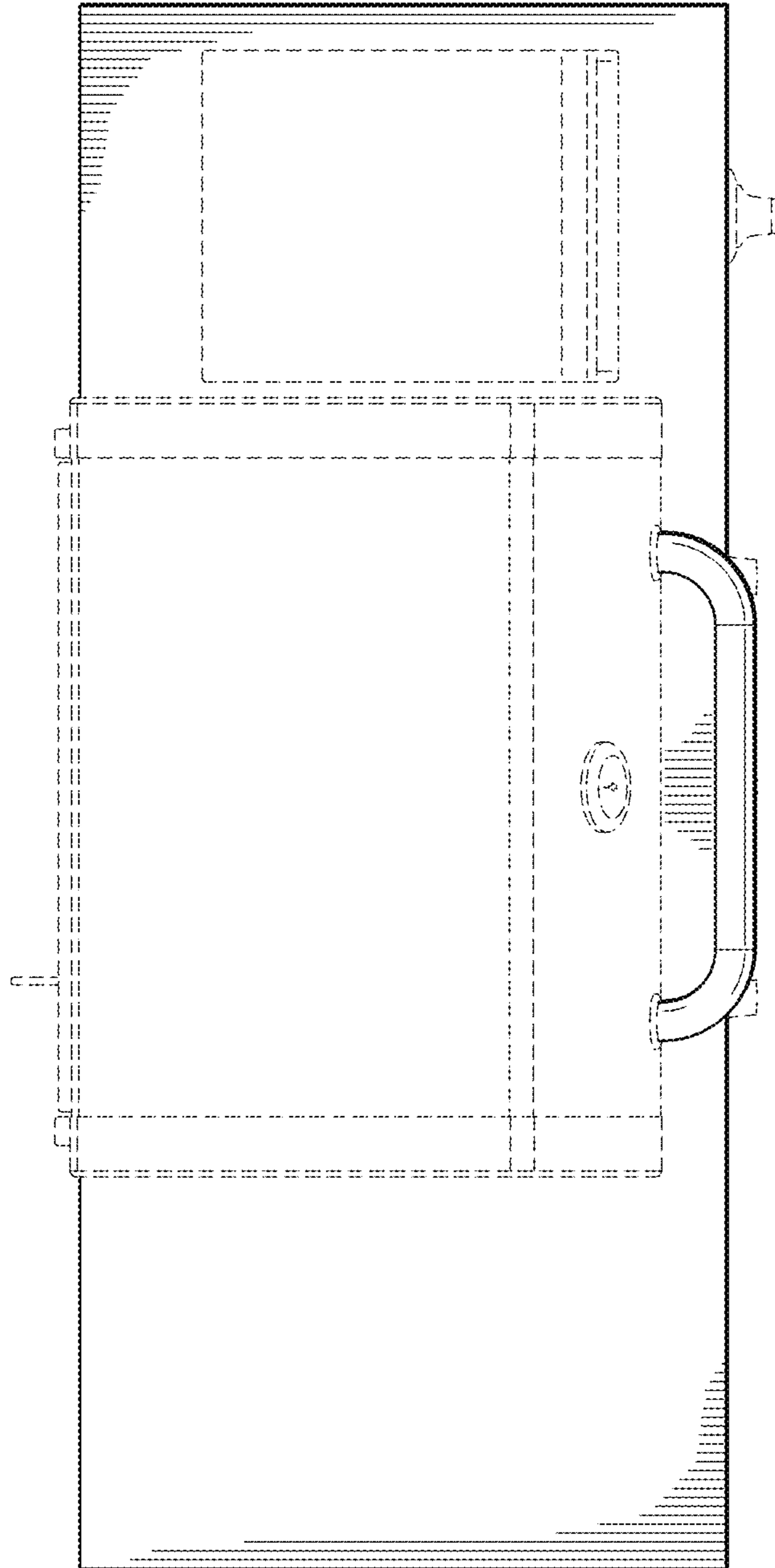


FIG. 6

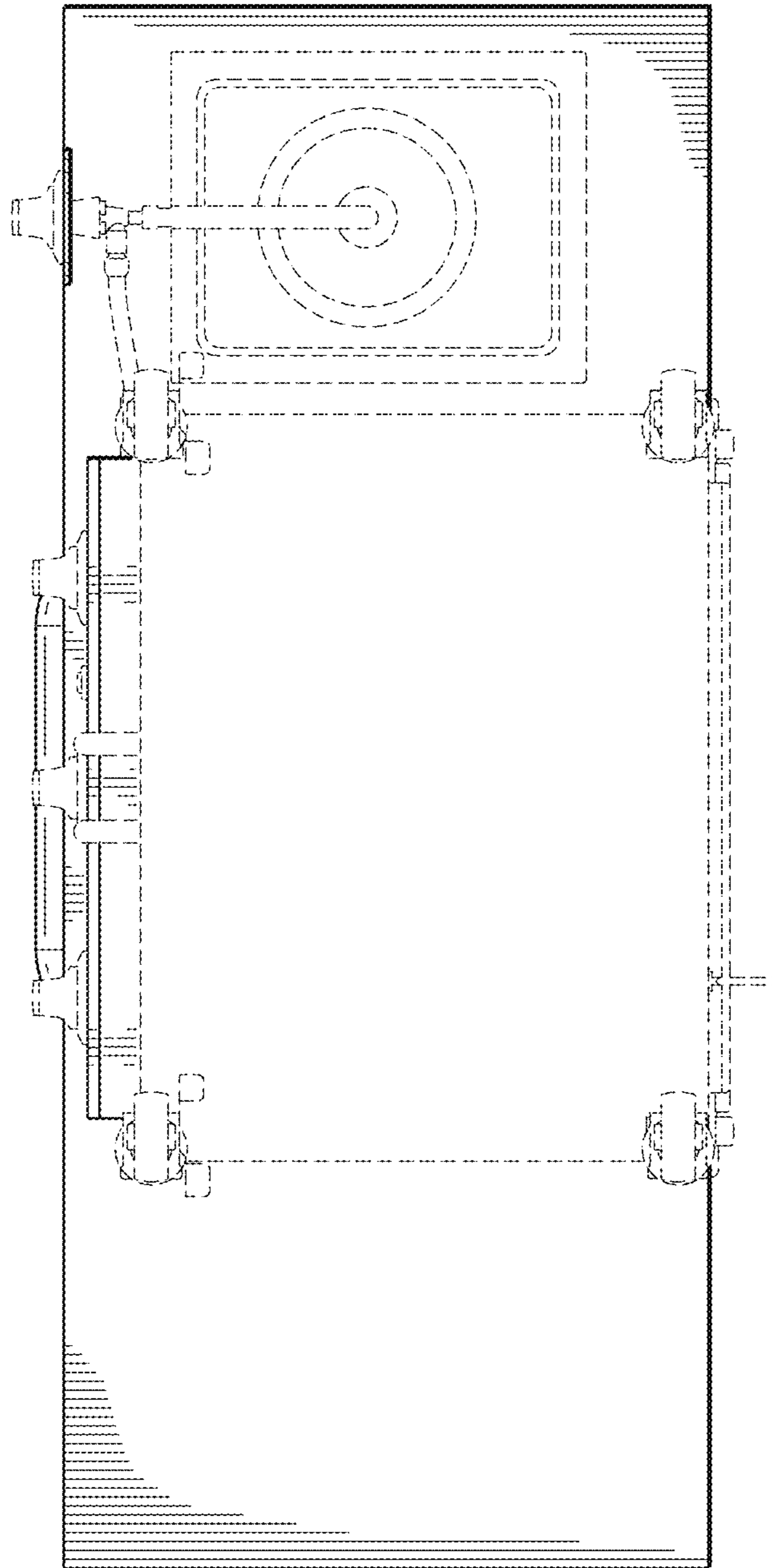


FIG. 7