



US00D816402S

(12) **United States Design Patent** (10) **Patent No.:** **US D816,402 S**  
**Funnell, II et al.** (45) **Date of Patent:** **\*\* May 1, 2018**

(54) **RANGE AND/OR COMPONENTS THEREOF**

(71) Applicant: **BSH Home Appliances Corporation**, Irvine, CA (US)

(72) Inventors: **Richard W. Funnell, II**, Corona del Mar, CA (US); **Jonathan Grey**, Huntersville, NC (US); **Graham Sadtler**, Huntington Beach, CA (US)

(73) Assignee: **BSH Home Appliances Corporation**, Irvine, CA (US)

(\*\*) Term: **15 Years**

(21) Appl. No.: **29/594,305**

(22) Filed: **Feb. 17, 2017**

**Related U.S. Application Data**

(62) Division of application No. 29/547,486, filed on Dec. 4, 2015, now Pat. No. Des. 782,871, which is a (Continued)

(51) **LOC (11) Cl.** ..... **07-02**

(52) **U.S. Cl.**  
USPC ..... **D7/405**

(58) **Field of Classification Search**

USPC ..... D7/402-409, 332-351, 362-367, 323; 126/1 R, 19 R, 39 R, 41 R, 211, 214 R, 126/273 R, 198, 152 R, 39 J, 21 R, 299 C, 126/299 D, 446.1, 538, 552; 219/446.1, 219/538, 552  
CPC ..... F24C 15/10; F24C 7/083; F24C 15/107; F24C 3/08; F24C 3/09; F24C 3/10; F24C 3/11; F24C 3/12; F24C 15/023; F24C 15/322; F24C 15/325; F24C 15/327; F24C 7/08; F24C 15/048; F24C 3/124; F24C 7/124; F24C 7/082; F24C 15/12; F24C 15/2007; H05B 6/062; H05B 1/0266; F23D 14/06; F23D 14/062  
See application file for complete search history.

(56) **References Cited**

**U.S. PATENT DOCUMENTS**

D495,556 S \* 9/2004 Milrud ..... D7/405  
D592,007 S \* 5/2009 Corona ..... D7/340

(Continued)

*Primary Examiner* — Catherine R Oliver-Garcia  
(74) *Attorney, Agent, or Firm* — Michael E. Tschupp; Andre Pallapies; Brandon G. Braun

(57) **CLAIM**

The ornamental design for a range and/or components thereof, as shown and described.

**DESCRIPTION**

FIG. 1 is a front perspective view of a door for a range according to a first embodiment showing our new ornamental design;

FIG. 2 is a front view thereof;

FIG. 3 is a top view thereof;

FIG. 4 is a bottom view thereof;

FIG. 5 is a right side view thereof;

FIG. 6 is a left side view thereof;

FIG. 7 is a front perspective view of a door for a range according to a second embodiment showing our new ornamental design;

FIG. 8 is a front view thereof;

FIG. 9 is a top view thereof;

FIG. 10 is a bottom view thereof;

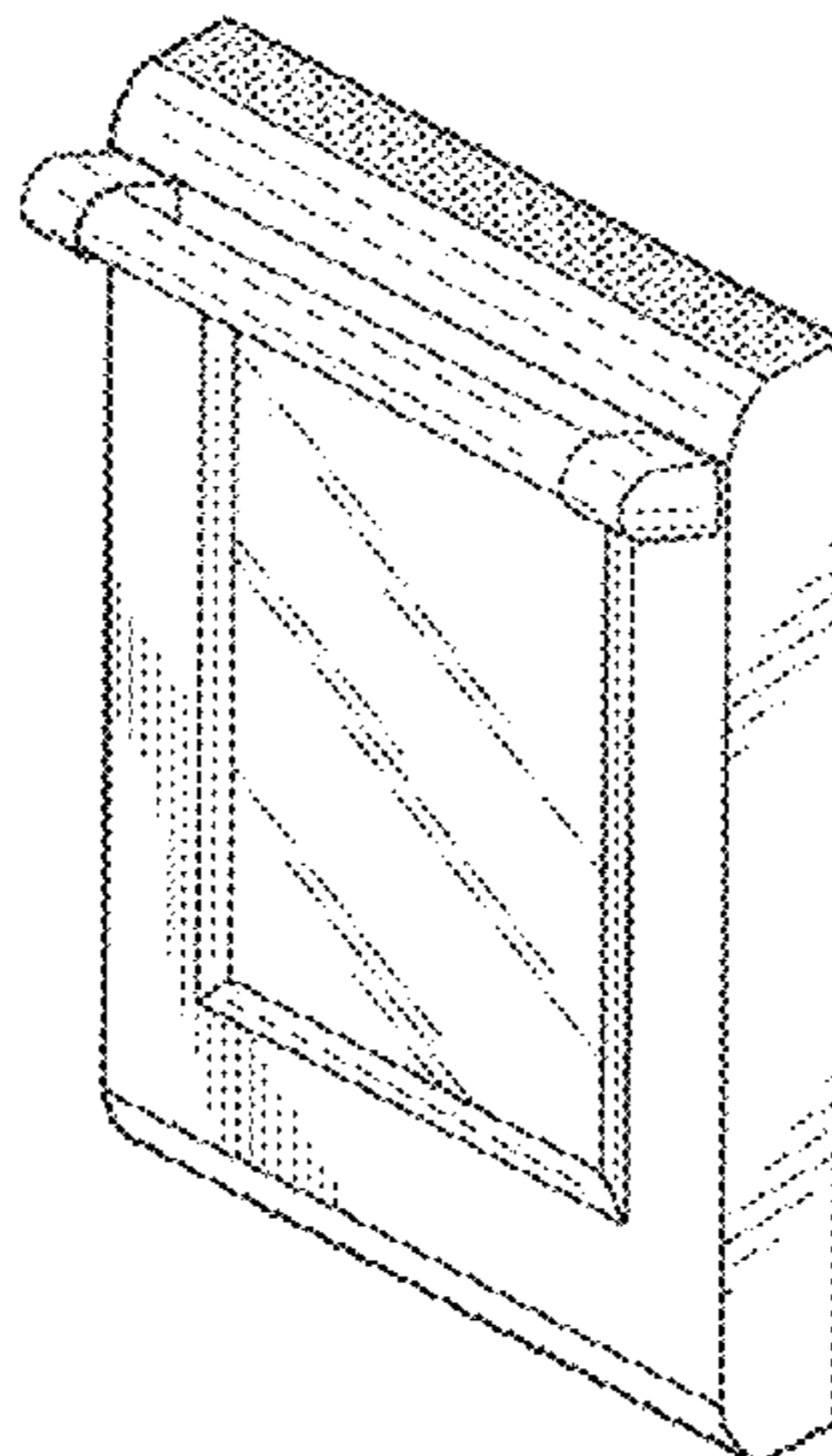
FIG. 11 is a right side view thereof; and,

FIG. 12 is a left side view thereof.

The broken lines represent environment or structure of the kitchen appliance and do not form any part of the claimed design.

Throughout the drawings, various views may not be provided, as the components in these views are unornamented or the ornamentation in these views is simply unclaimed.

**1 Claim, 4 Drawing Sheets**



**Related U.S. Application Data**

division of application No. 29/506,163, filed on Oct. 14, 2014, now Pat. No. Des. 750,432, which is a division of application No. 29/471,872, filed on Nov. 6, 2013, now Pat. No. Des. 721,917, which is a division of application No. 29/450,597, filed on Mar. 20, 2013, now Pat. No. Des. 699,503, which is a division of application No. 29/426,705, filed on Jul. 10, 2012, now Pat. No. Des. 682,603, which is a division of application No. 29/398,034, filed on Jul. 26, 2011, now Pat. No. Des. 669,728.

(56)

**References Cited**

U.S. PATENT DOCUMENTS

D658,439 S \* 5/2012 Curtis ..... D7/405  
D668,105 S \* 10/2012 Funnell, II ..... D7/405

\* cited by examiner

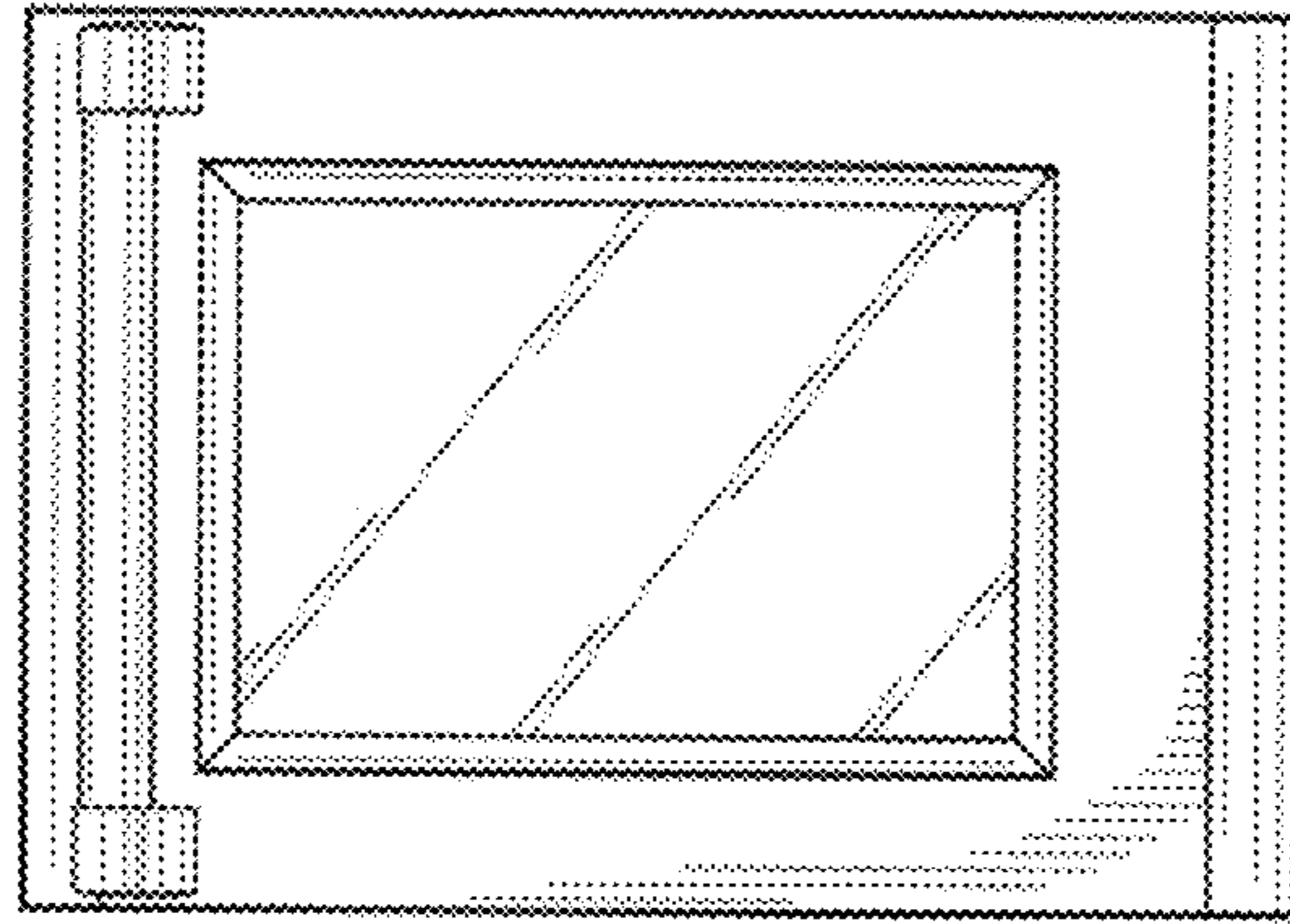


Fig. 1

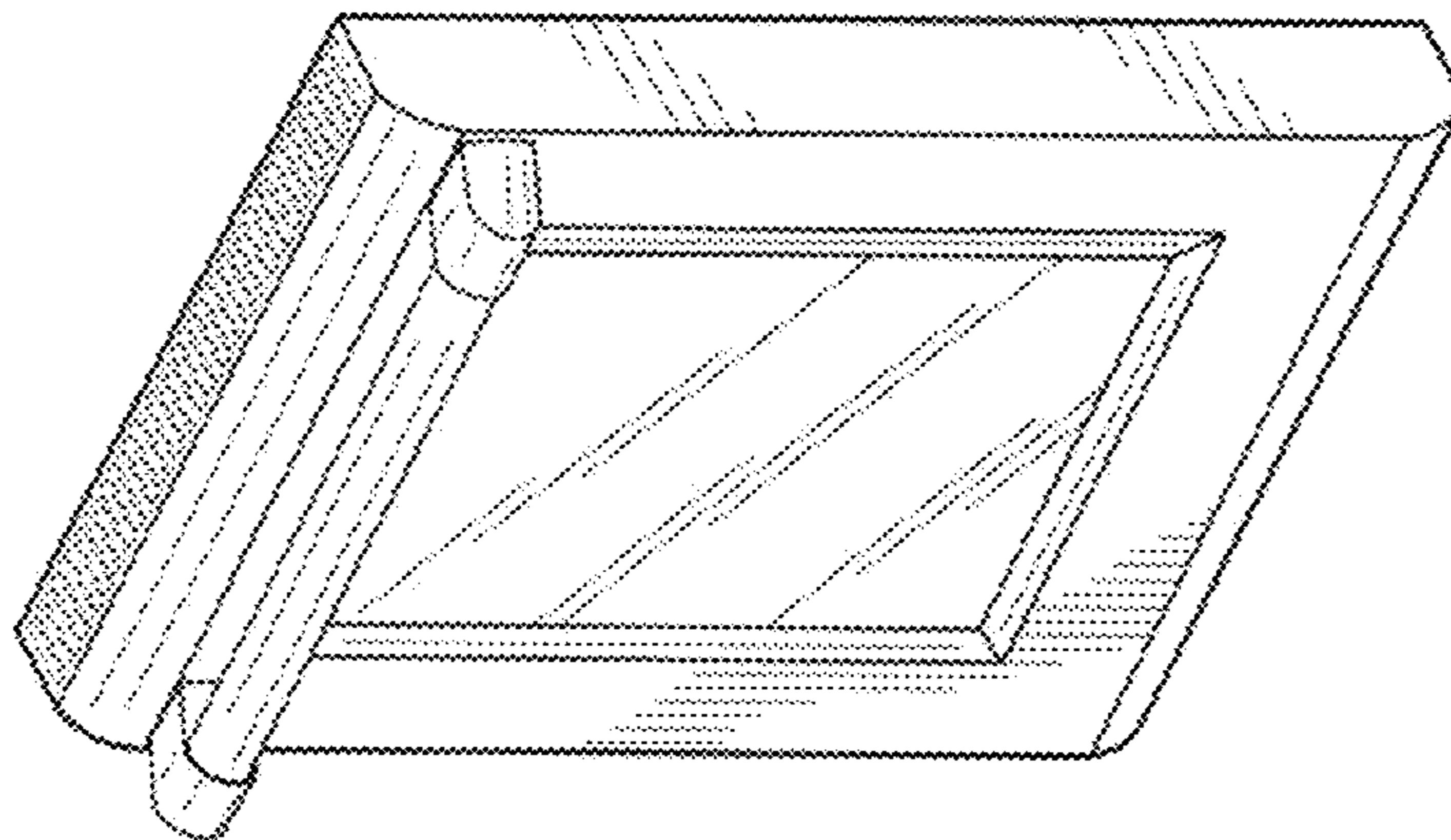


Fig. 2

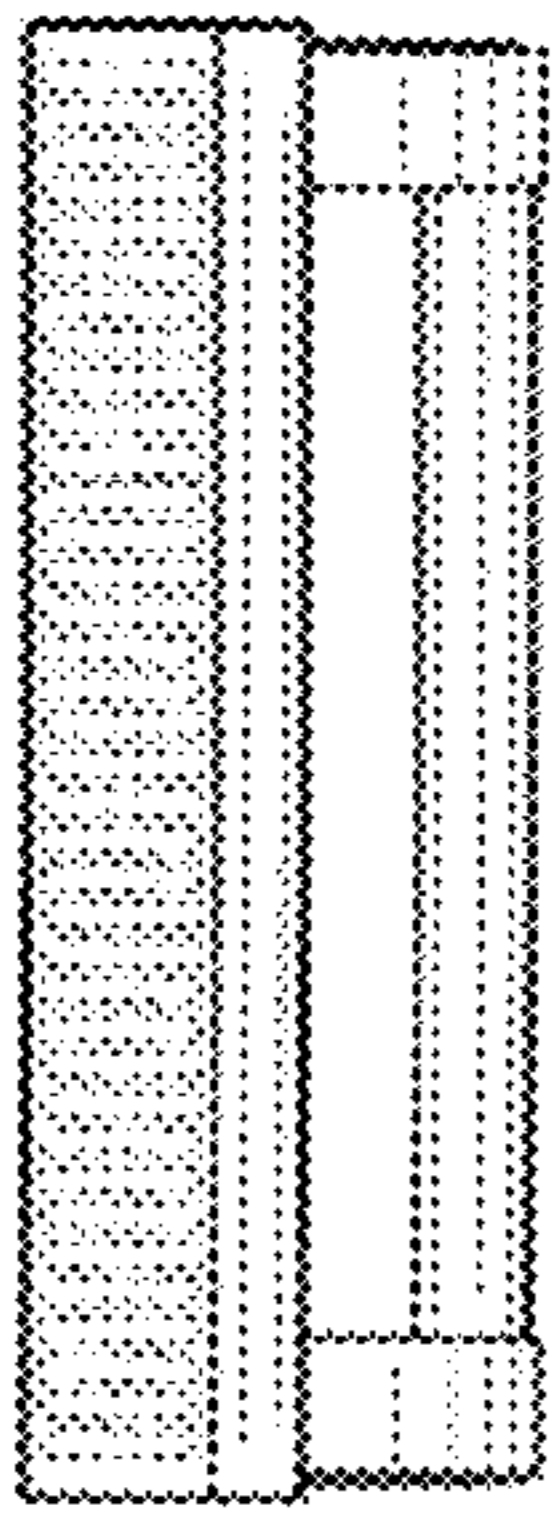


Fig. 3

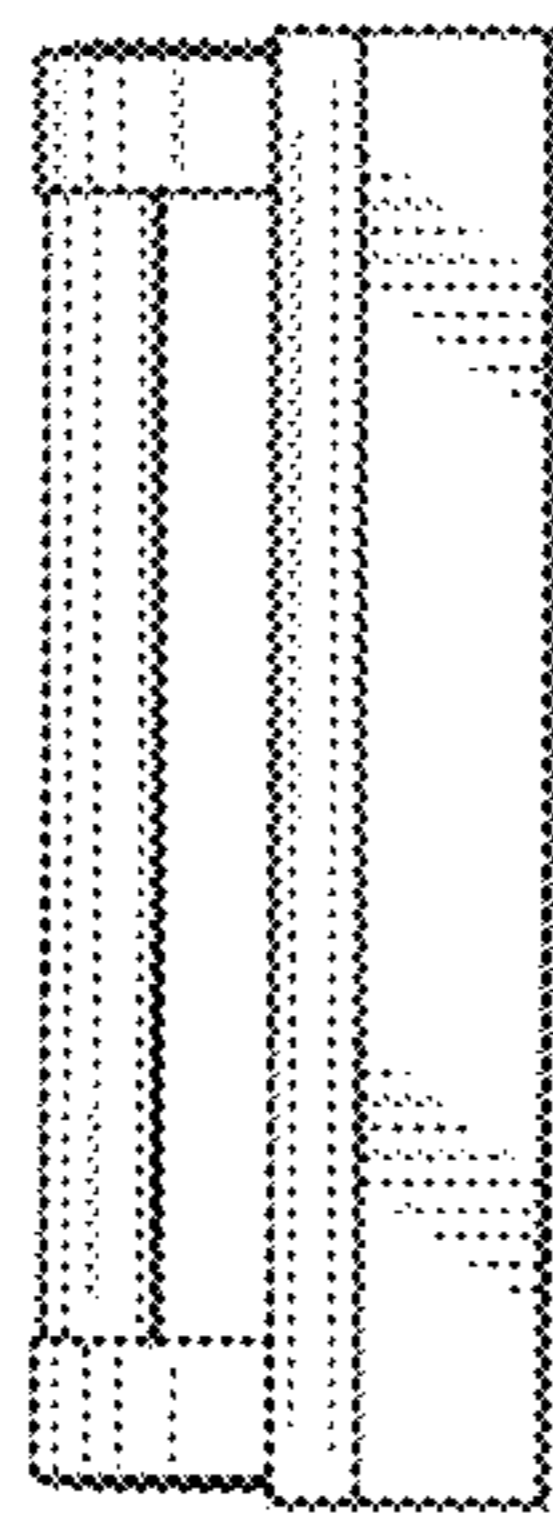


Fig. 4

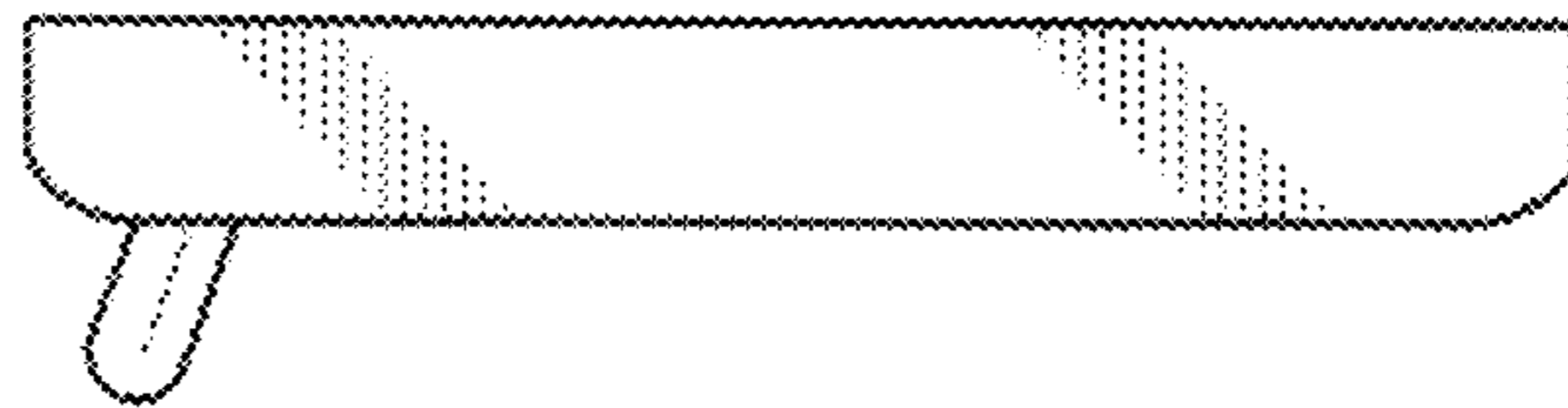


Fig. 5

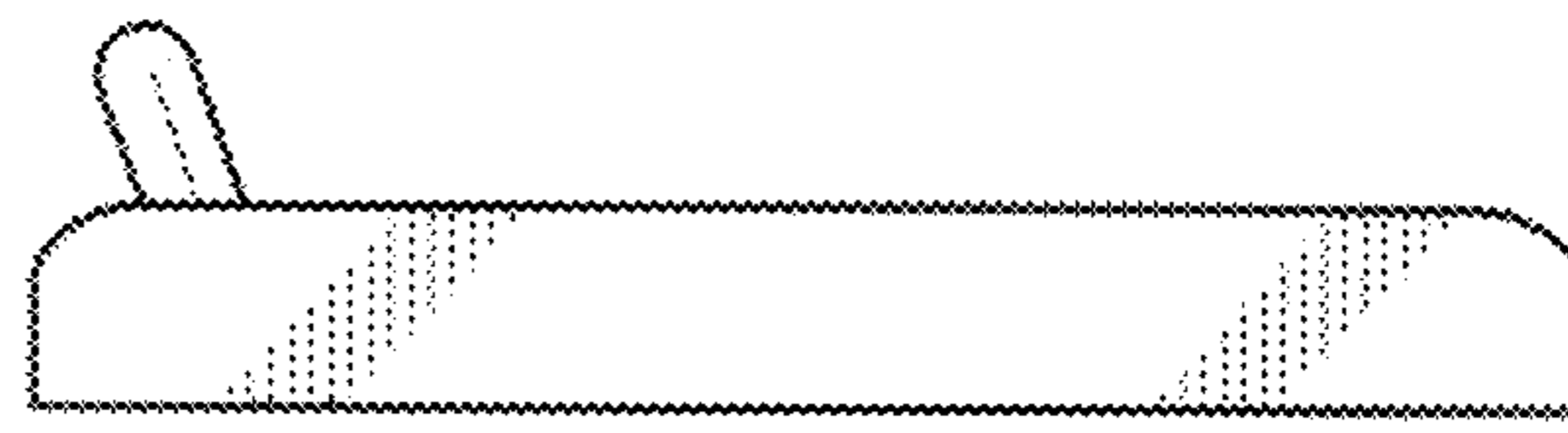


Fig. 6



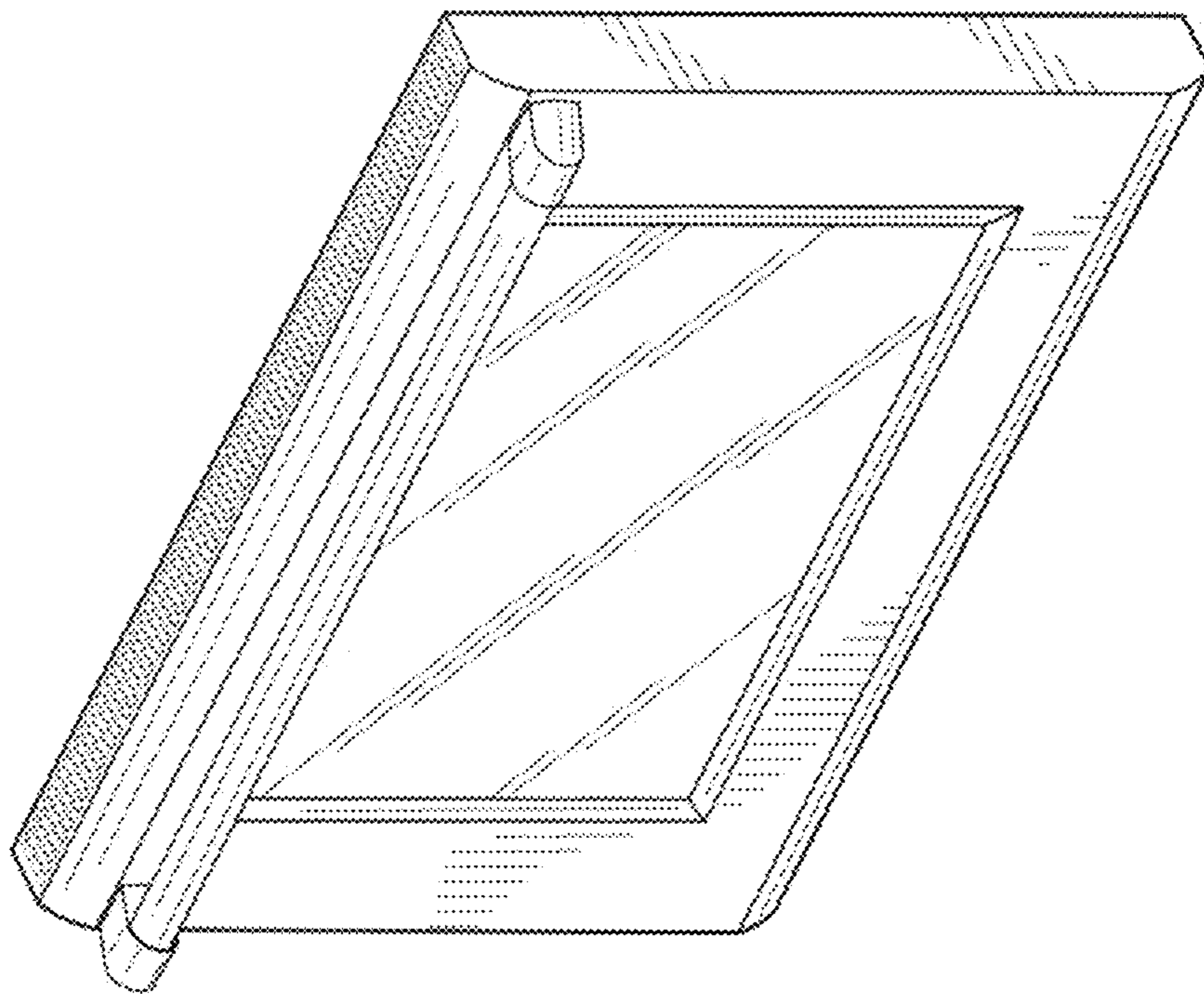


Fig. 7

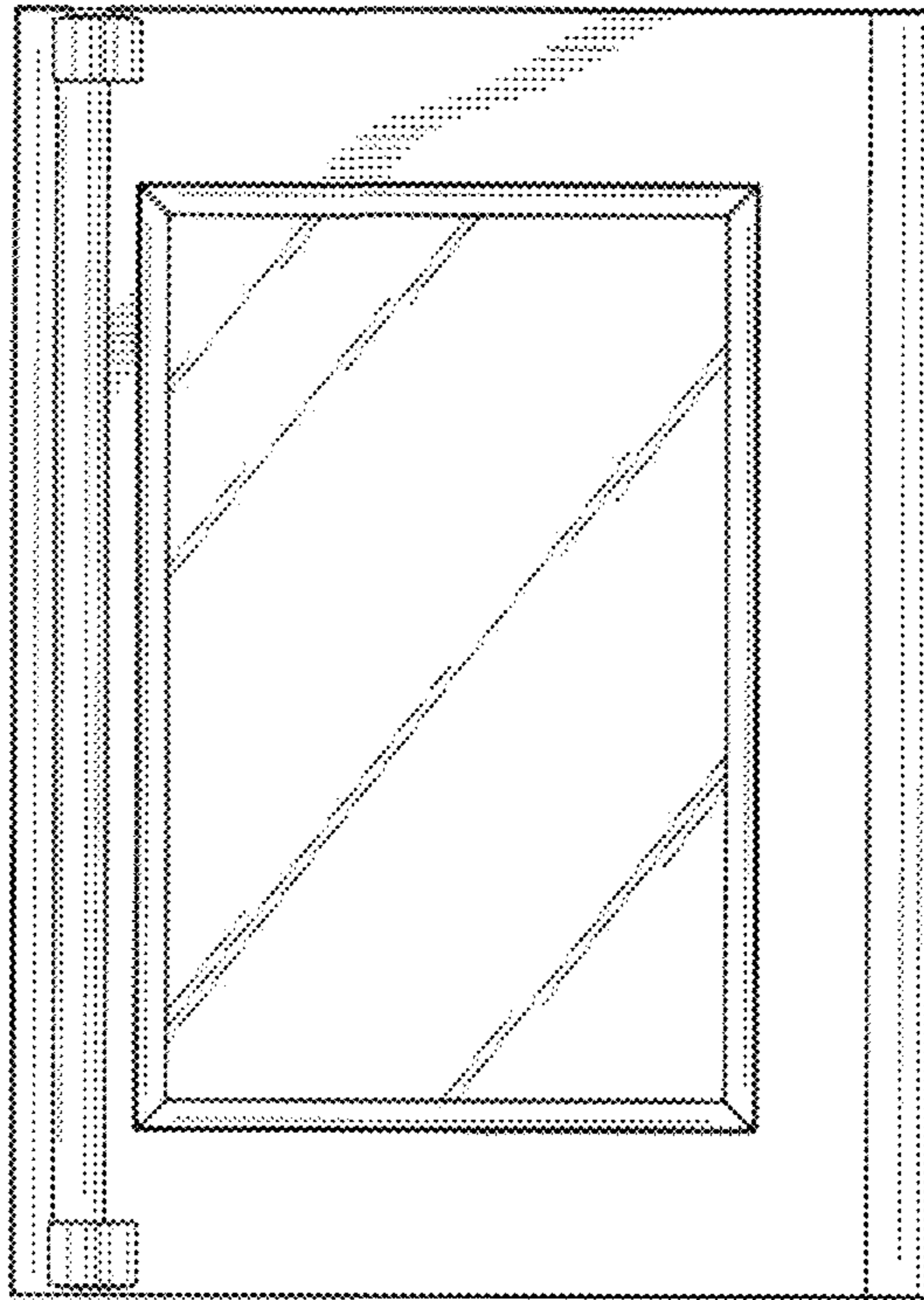


Fig. 8

