



US00D816401S

(12) **United States Design Patent**  
**Chung**

(10) **Patent No.:** **US D816,401 S**

(45) **Date of Patent:** **\*\* May 1, 2018**

- (54) **SUPPORTING ELEMENT FOR BARBECUE GRILL**
- (71) Applicant: **Shu-Jui Chung**, Taichung (TW)
- (72) Inventor: **Shu-Jui Chung**, Taichung (TW)
- (\*\*) Term: **15 Years**
- (21) Appl. No.: **29/543,193**
- (22) Filed: **Oct. 21, 2015**
- (51) **LOC (11) Cl.** ..... **07-02**
- (52) **U.S. Cl.**  
USPC ..... **D7/402**
- (58) **Field of Classification Search**  
USPC ..... D7/402-409, 332-337, 323  
CPC .... A47J 37/07; A47J 37/0704; A47J 37/0763;  
A47J 37/0709; A47J 37/0713  
See application file for complete search history.

- D464,529 S \* 10/2002 Eisinger ..... D7/402
- D486,689 S \* 2/2004 Lu ..... D7/403
- 6,886,788 B1 \* 5/2005 Chung ..... A47J 37/0704  
248/176.2
- D618,038 S \* 6/2010 Davies ..... D7/337
- D734,094 S \* 7/2015 Vogds ..... D7/354
- D789,145 S \* 6/2017 Blichmann ..... D7/407
- 2016/0227965 A1 \* 8/2016 Johnston ..... A47J 37/0763

\* cited by examiner

*Primary Examiner* — Sheryl Lane  
*Assistant Examiner* — Nicole C Shiflet

(57) **CLAIM**

The ornamental design for a supporting element for barbecue grill, as shown and described.

**DESCRIPTION**

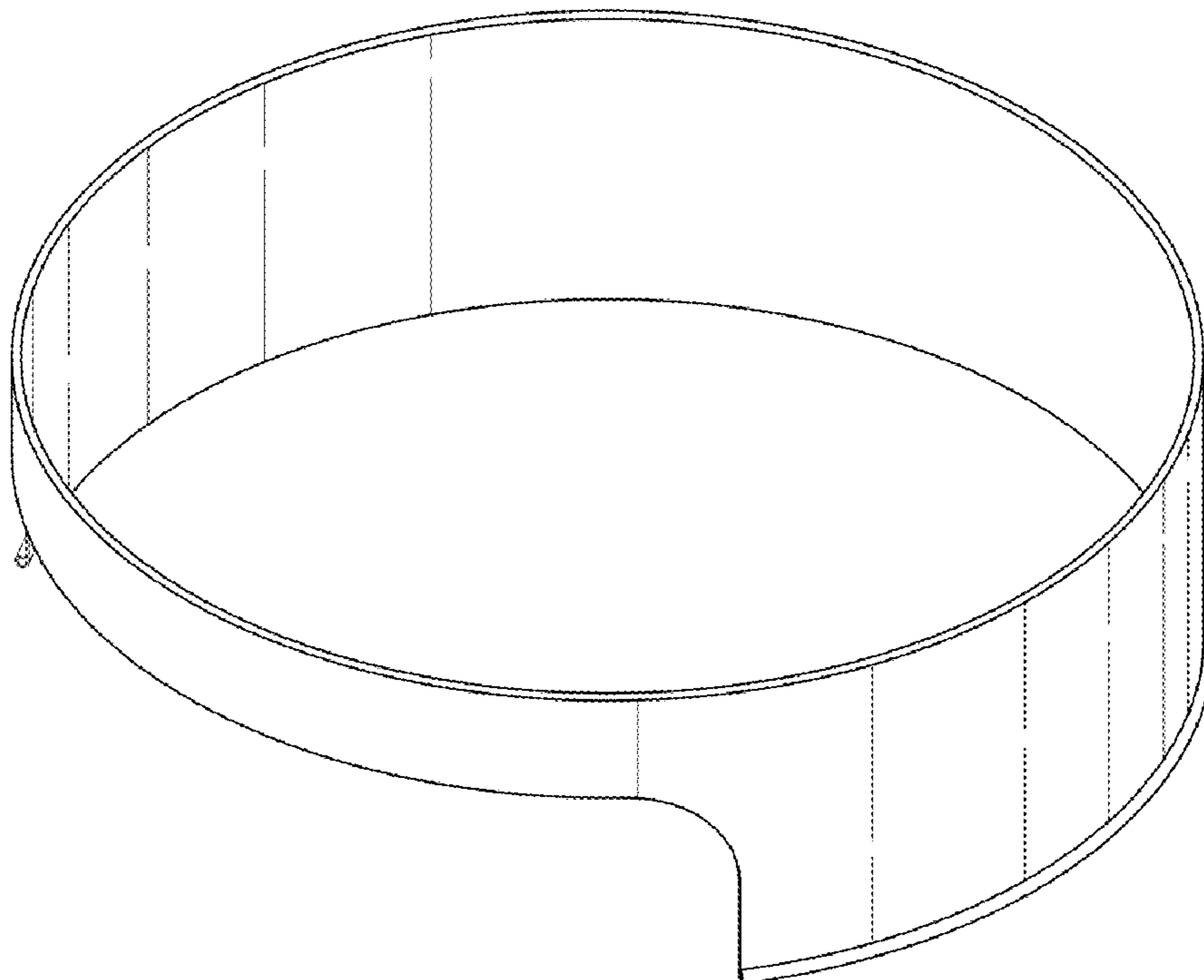
FIG. 1 is a perspective view of a supporting element for barbecue grill showing my new design;  
 FIG. 2 is a front elevational view thereof;  
 FIG. 3 is a rear elevational view thereof;  
 FIG. 4 is a left side elevational view thereof;  
 FIG. 5 is a right side elevational view thereof;  
 FIG. 6 is a bottom plan view thereof;  
 FIG. 7 is a top plan view thereof; and,  
 FIG. 8 is a perspective view of the supporting element for barbecue grill as shown in FIG. 1, in an exemplary environment.  
 The broken lines in FIG. 8 showing a barbecue grill environment form no part of the claimed design.

**1 Claim, 8 Drawing Sheets**

(56) **References Cited**

U.S. PATENT DOCUMENTS

- 3,851,639 A \* 12/1974 Beddoe ..... A47J 37/0763  
126/25 R
- 4,112,833 A \* 9/1978 Oda ..... A47J 36/027  
219/733
- D276,302 S \* 11/1984 Thomas ..... D7/332
- D286,128 S \* 10/1986 Bowen ..... D7/402
- D286,129 S \* 10/1986 Bowen ..... D7/402
- 5,881,709 A \* 3/1999 Daoust ..... F24C 5/02  
126/38



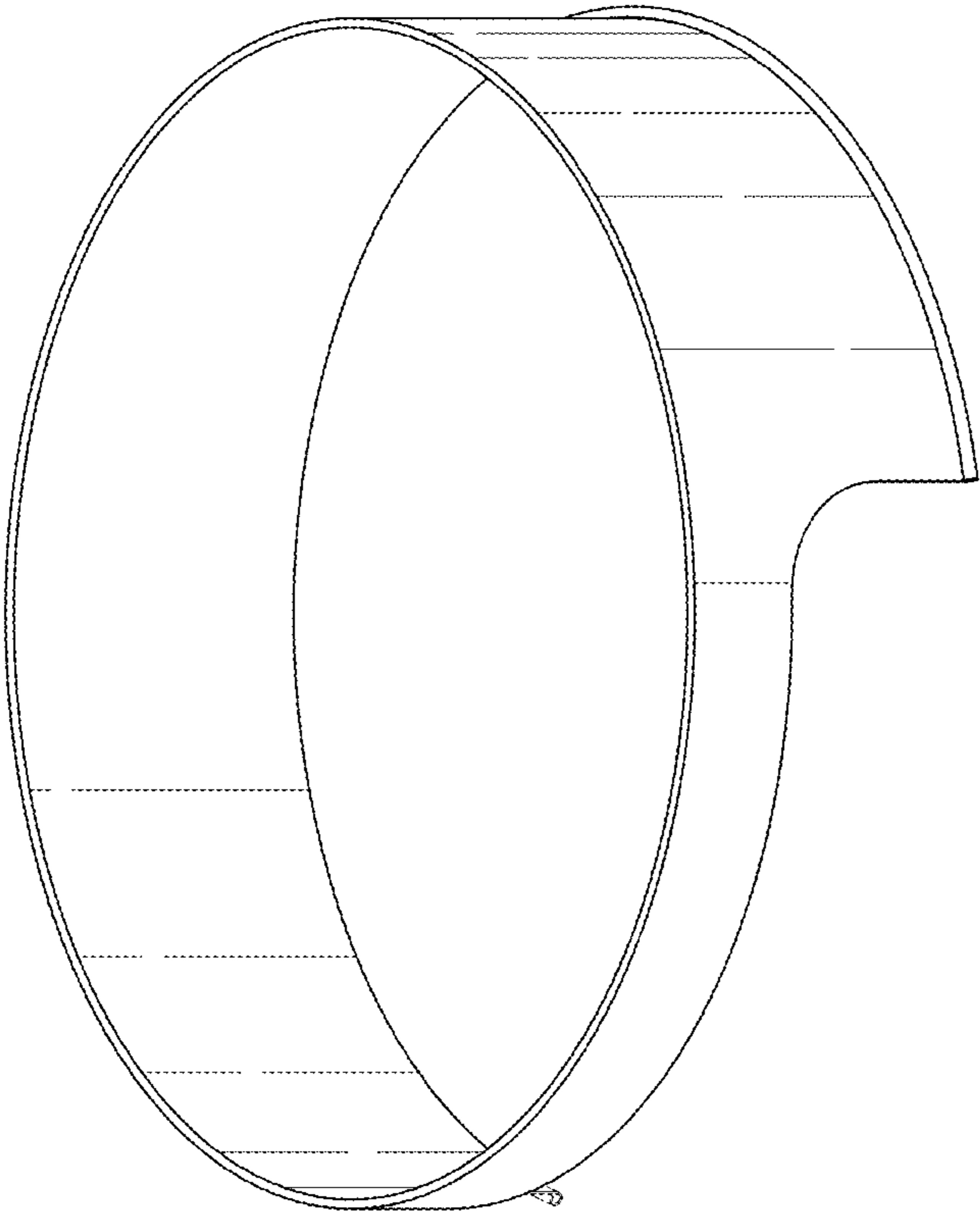


FIG. 1

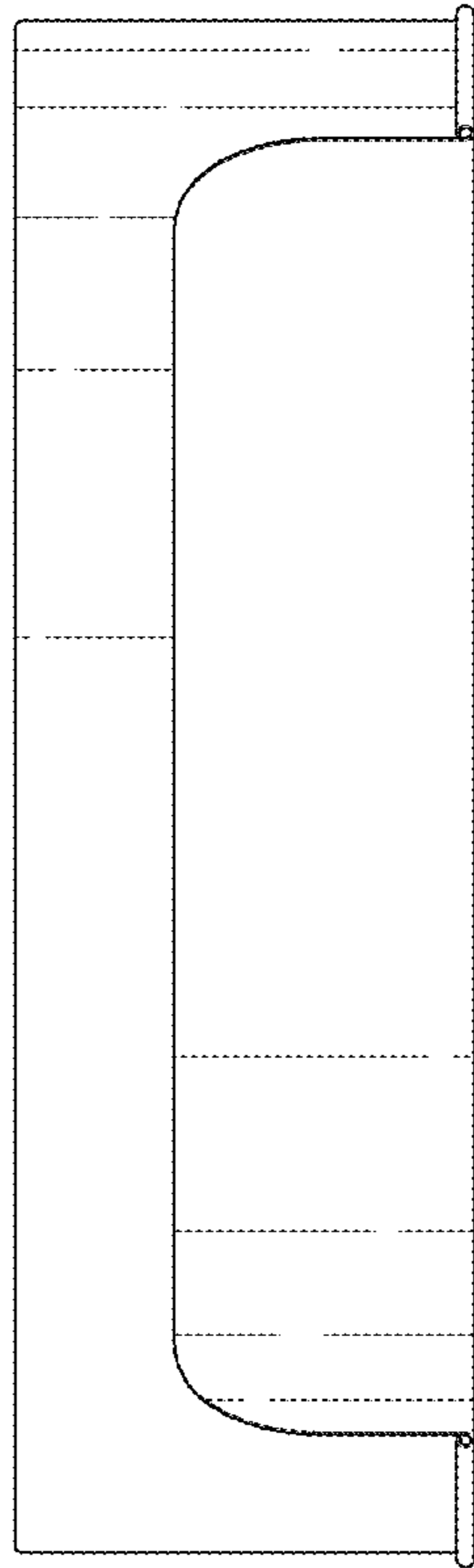


FIG. 2

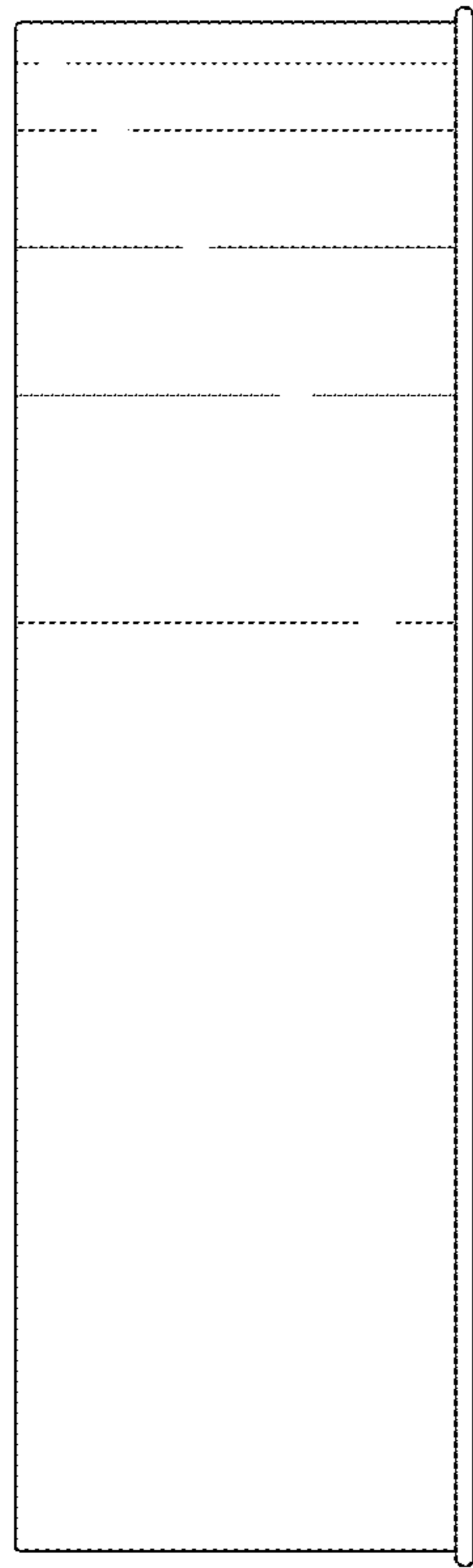


FIG. 3

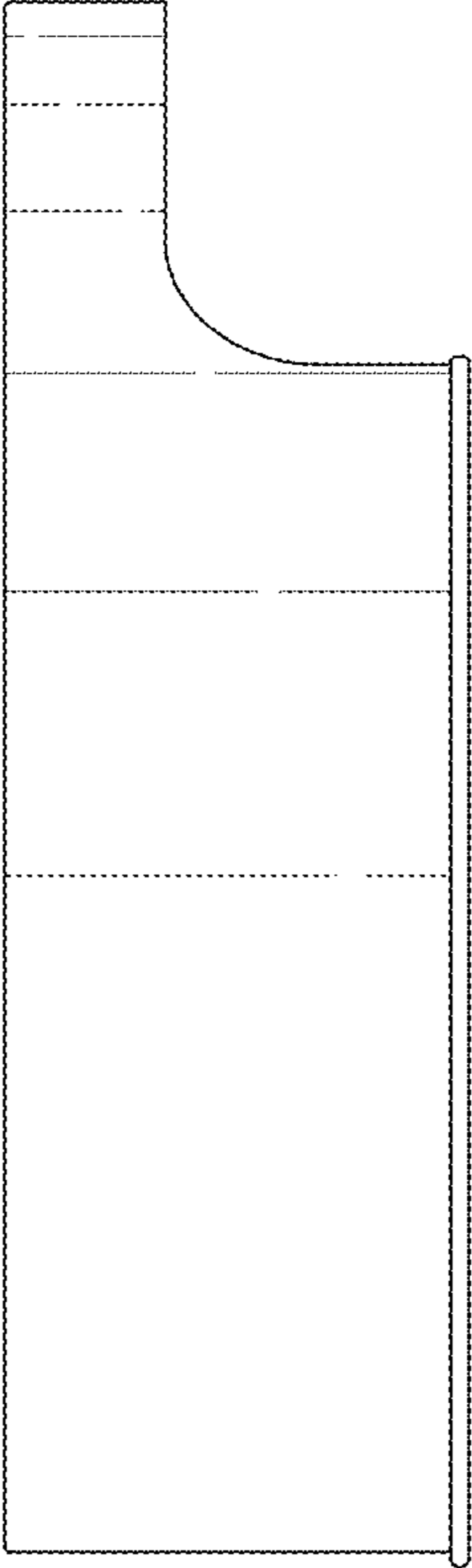


FIG. 4

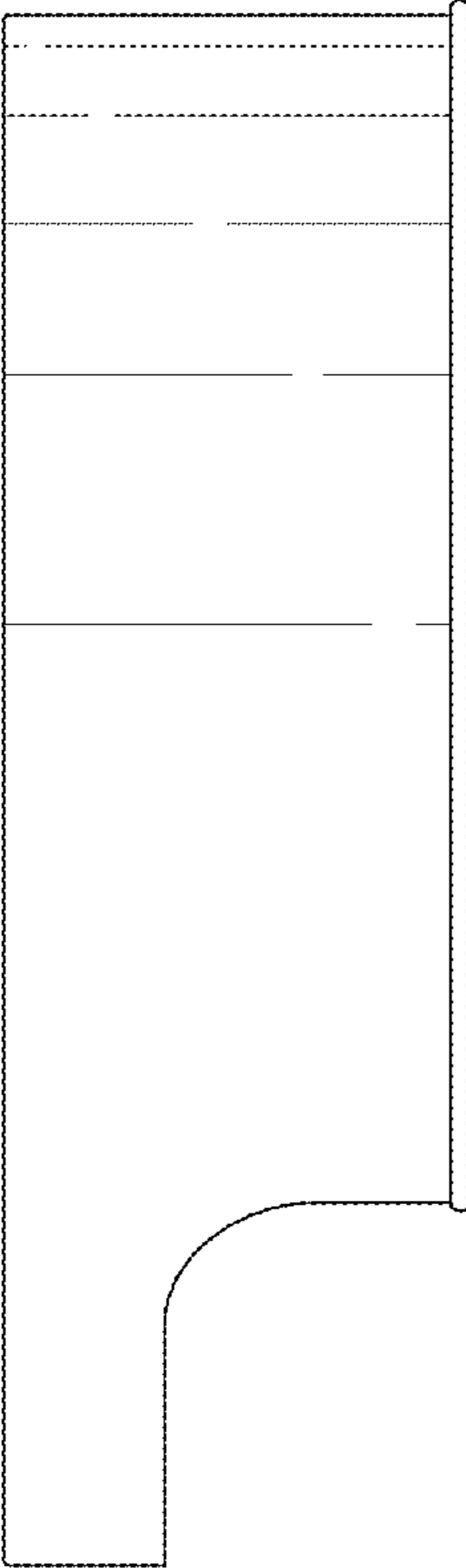


FIG. 5

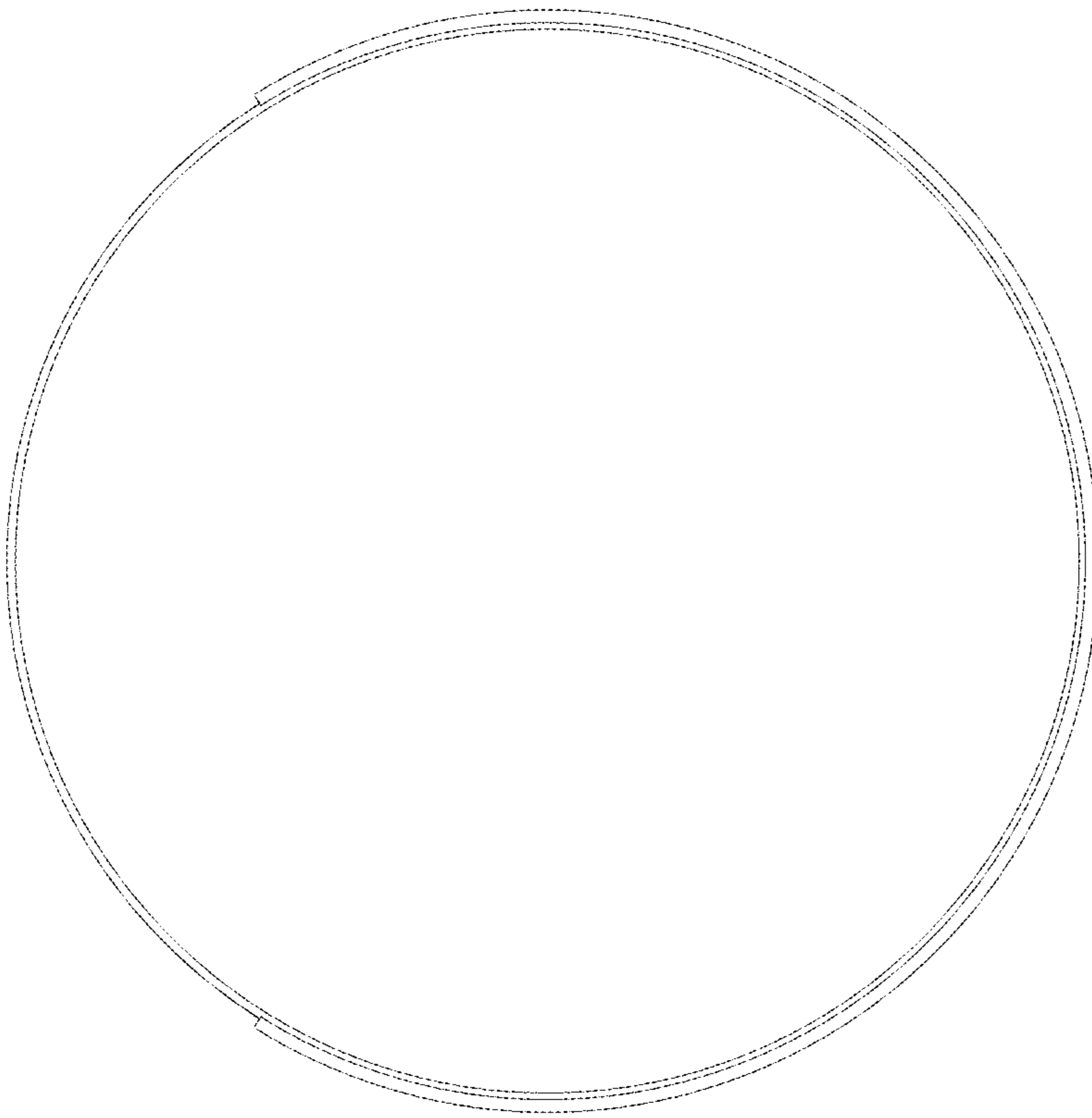


FIG. 6

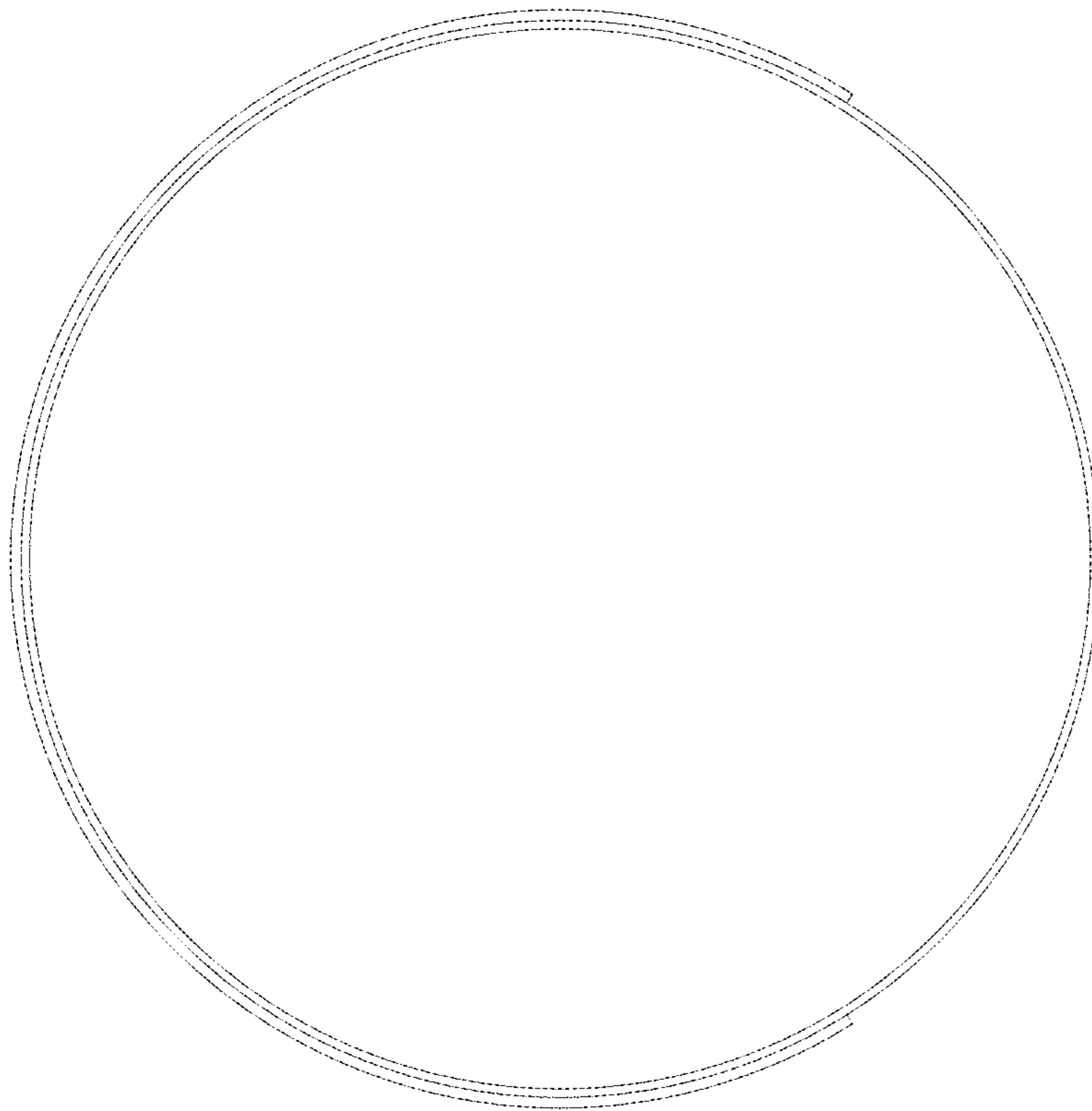


FIG. 7



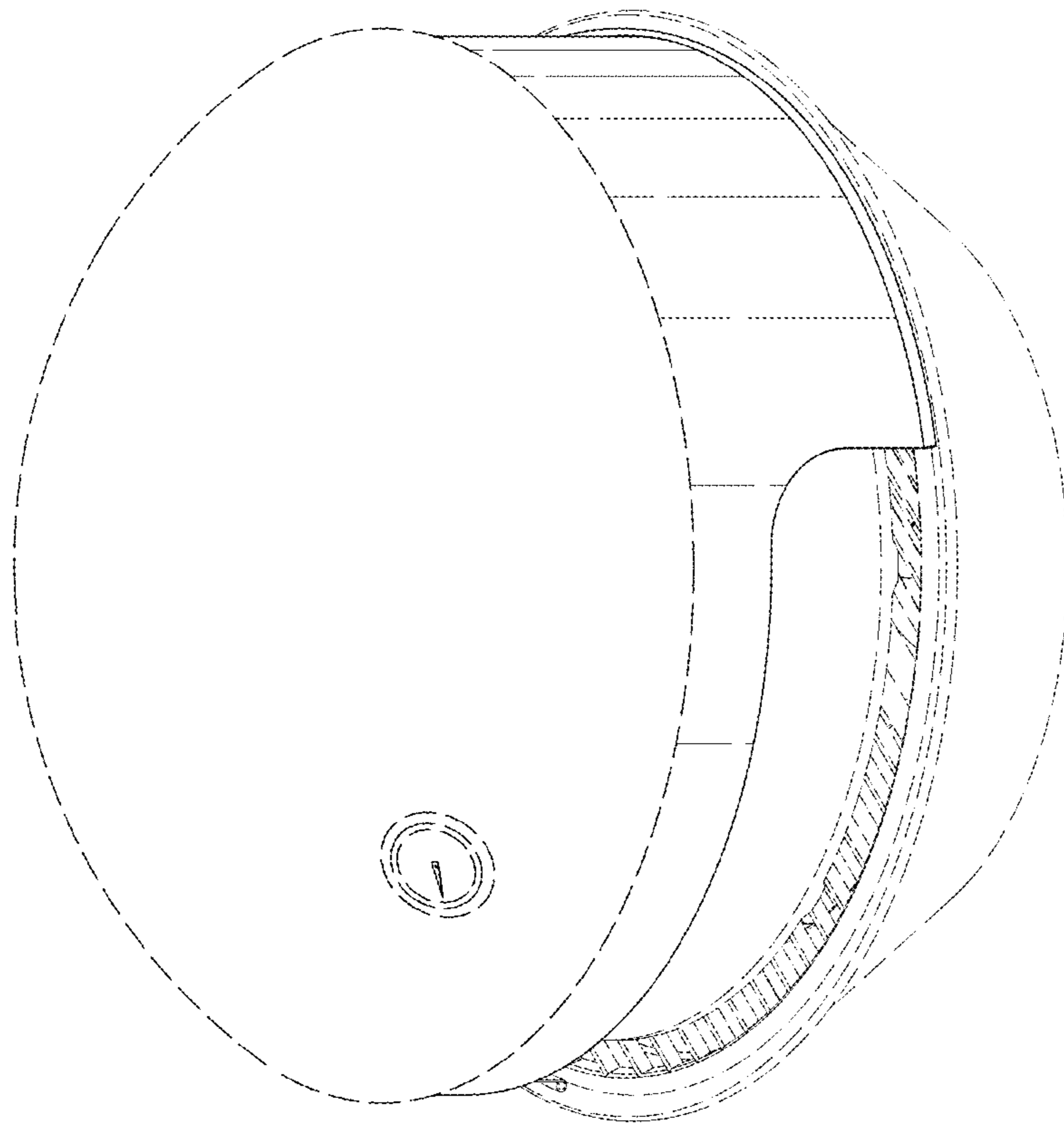


FIG. 8