



US00D816398S

(12) **United States Design Patent** (10) **Patent No.:** **US D816,398 S**
Fleischhut (45) **Date of Patent:** **** May 1, 2018**

(54) **BOTTLE SCREW TOP**

- (71) Applicant: **ESBIT Compagnie GmbH**, Hamburg (DE)
- (72) Inventor: **Dirk Fleischhut**, Zürich (CH)
- (73) Assignee: **ESBIT Compagnie GmbH**, Hamburg (DE)
- (**) Term: **15 Years**

(21) Appl. No.: **29/586,022**

(22) Filed: **Nov. 30, 2016**

(51) **LOC (11) Cl.** **07-01**

(52) **U.S. Cl.**
USPC **D7/392.1**

(58) **Field of Classification Search**
USPC D7/391, 392, 392.1, 396.1, 396.2, 397, D7/509, 510, 543, 629; D9/435, 443, D9/447, 449, 516
CPC B65D 41/04; B65D 2543/0092
See application file for complete search history.

(56) **References Cited**

U.S. PATENT DOCUMENTS

D539,608 S *	4/2007	Lapsker	D7/510
D543,776 S *	6/2007	Yelland	D7/392.1
D623,896 S *	9/2010	Wahl	D7/392.1
D748,429 S *	2/2016	Lv	D7/391
9,272,822 B2 *	3/2016	Samartgis	B65D 47/12
D758,791 S *	6/2016	Hanna	D7/392.1
D758,859 S *	6/2016	Sorensen	D7/393
D787,886 S *	5/2017	Cerasani	D7/300.1
D791,532 S *	7/2017	Yao	D7/392.1
D794,386 S *	8/2017	Steel	D7/396.2
2014/0353275 A1 *	12/2014	Hung	B65D 47/305 215/311
2015/0230651 A1 *	8/2015	Molayem	A47J 31/0636 99/322
2016/0318693 A1 *	11/2016	Hein	B65D 41/0442

OTHER PUBLICATIONS

“Majoris Drinking Bottle”. Found online Oct. 25, 2017 at snapoutdoor.pl. Page dated Aug. 10, 2017. Retrieved from <http://snapoutdoor.pl/majoris-drinking-bottle-nowa-butelka-esbit/>.*

“h2go Elevate, h2go Inspire”. Found online Jun. 12, 2017 at twitter.com. Page dated Jan. 21, 2015. Retrieved from <https://twitter.com/etsexpress/status/557997114589196288>.*

“Product Design Sketches: Loop Lids”. Found online Jun. 21, 2017 at nastashaj450.blogspot.no. Page dated Dec. 4, 2010. Retrieved from <http://nastashaj450.blogspot.no/2010/12/product-design-sketches.html>.*

“KOR Nava hydration vessel water bottle review”. Found online Nov. 9, 2016 at the-gadgeteer.com. Page dated Mar. 21, 2014. Retrieved from <http://the-gadgeteer.com/2014/03/21/kor-nava-hydration-vessel-water-bottle-review/>.*

* cited by examiner

Primary Examiner — Robert M. Spear
Assistant Examiner — Kendra Leslie Hamilton
 (74) *Attorney, Agent, or Firm* — Maier & Maier, PLLC

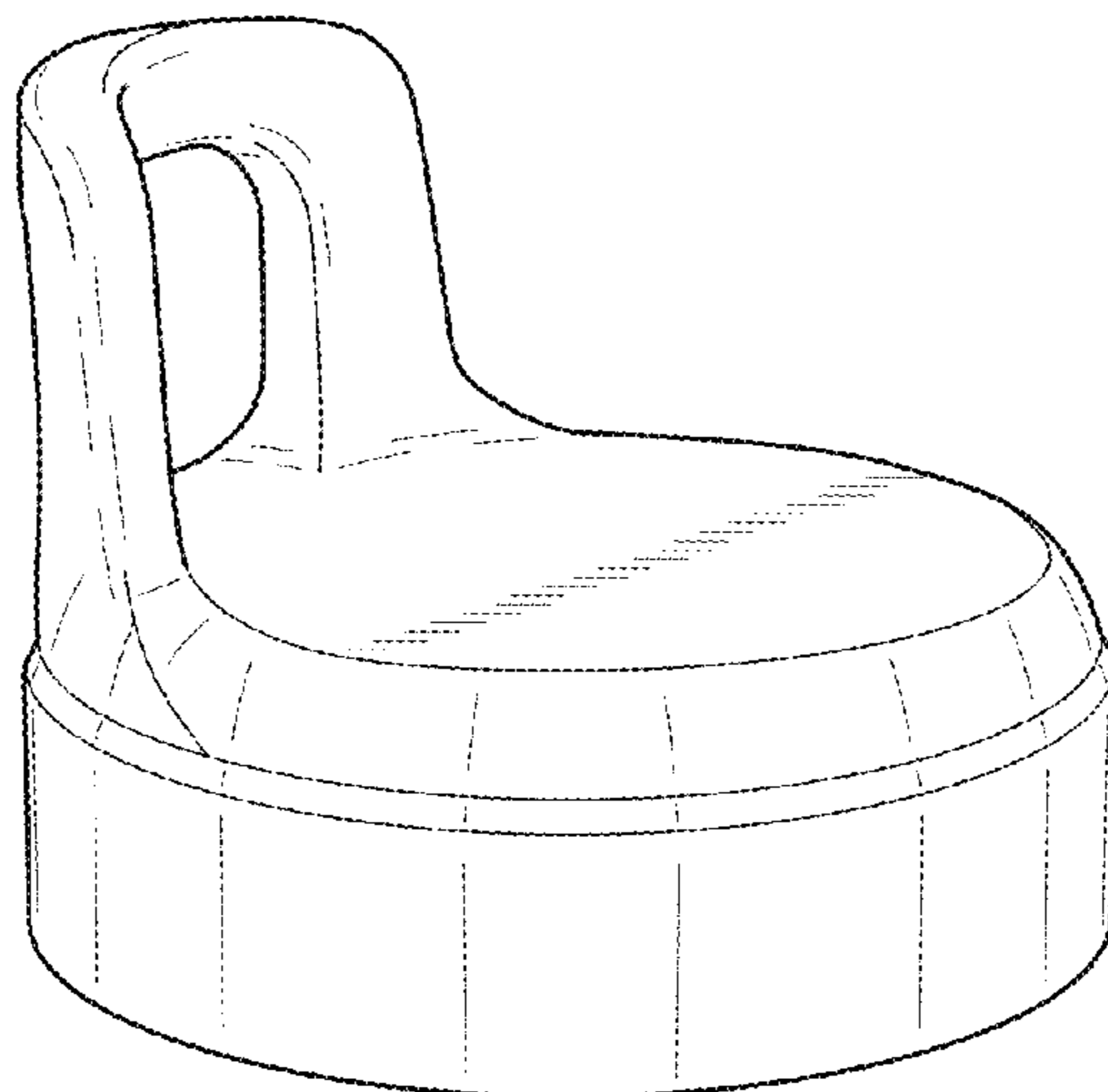
(57) **CLAIM**

The ornamental design for a bottle screw top, as shown and described.

DESCRIPTION

FIG. 1 is a front perspective view of a first embodiment of a bottle screw top, showing my design;
 FIG. 2 is a front-left perspective view thereof;
 FIG. 3 is a front-left perspective view of a second embodiment of a bottle screw top;
 FIG. 4 is a front perspective view thereof;
 FIG. 5 is a top plan view thereof; and,
 FIG. 6 is a right perspective view thereof, the left side being a mirror image thereof.

1 Claim, 6 Drawing Sheets



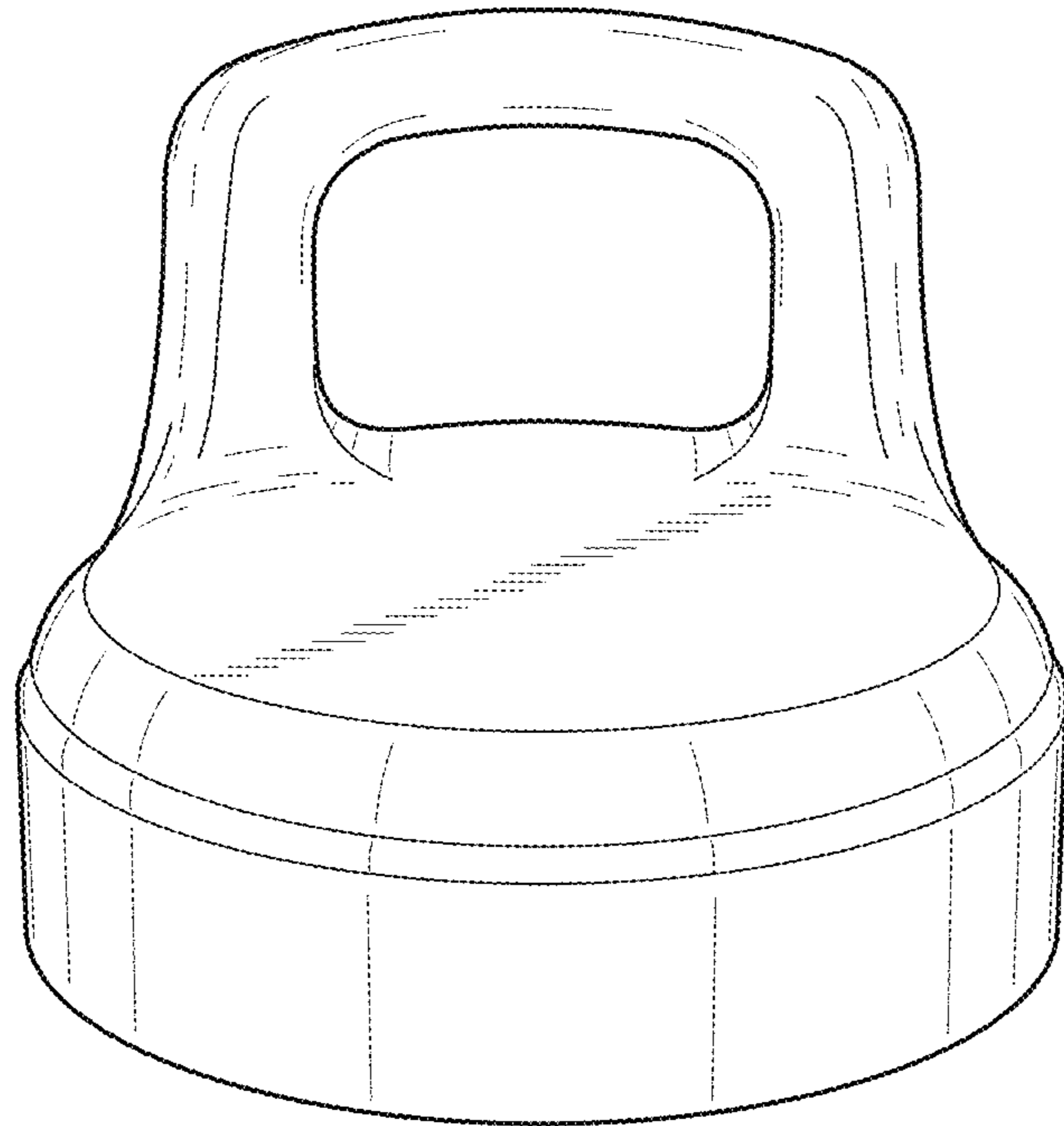


Fig. 1

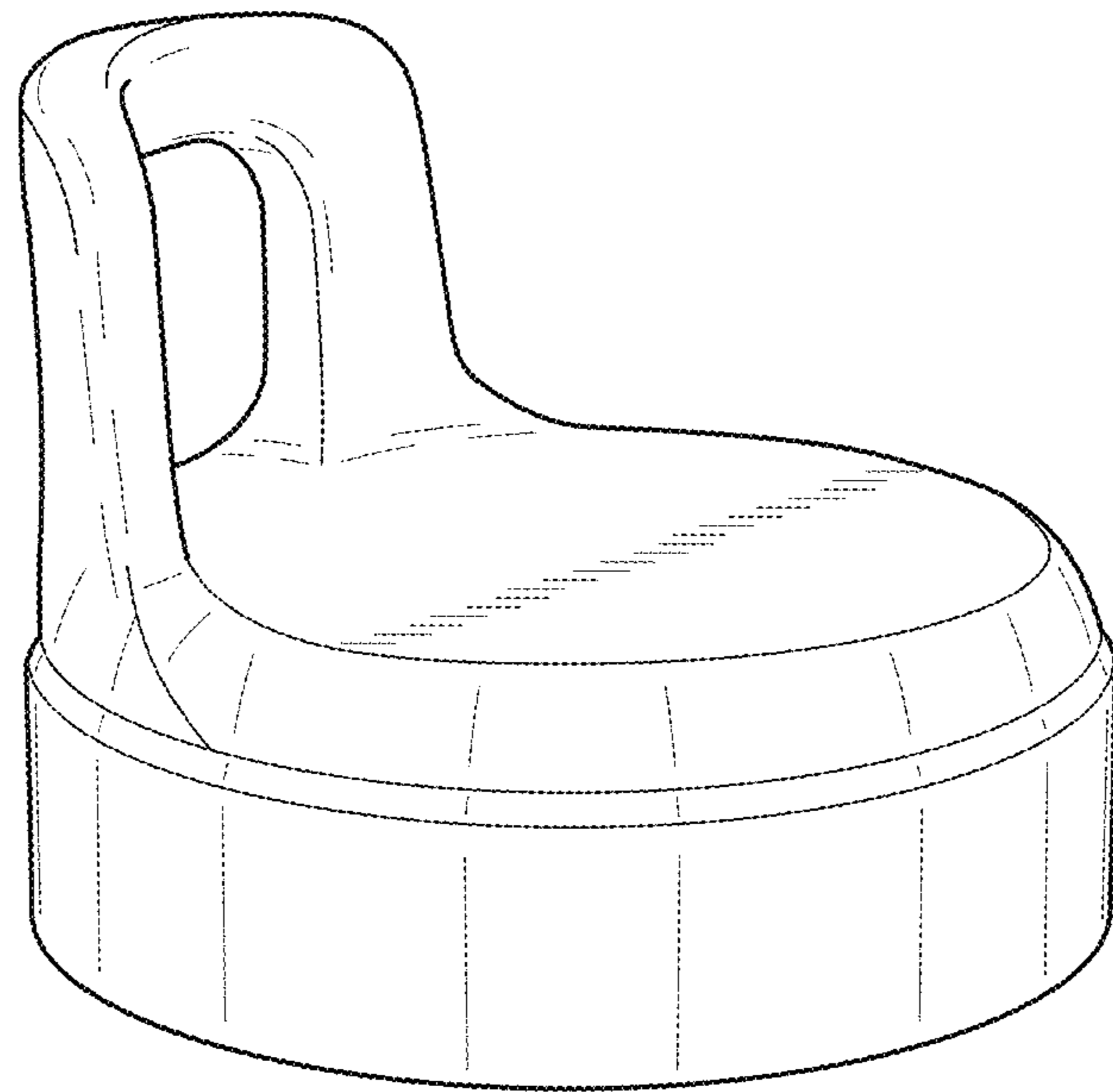


Fig. 2

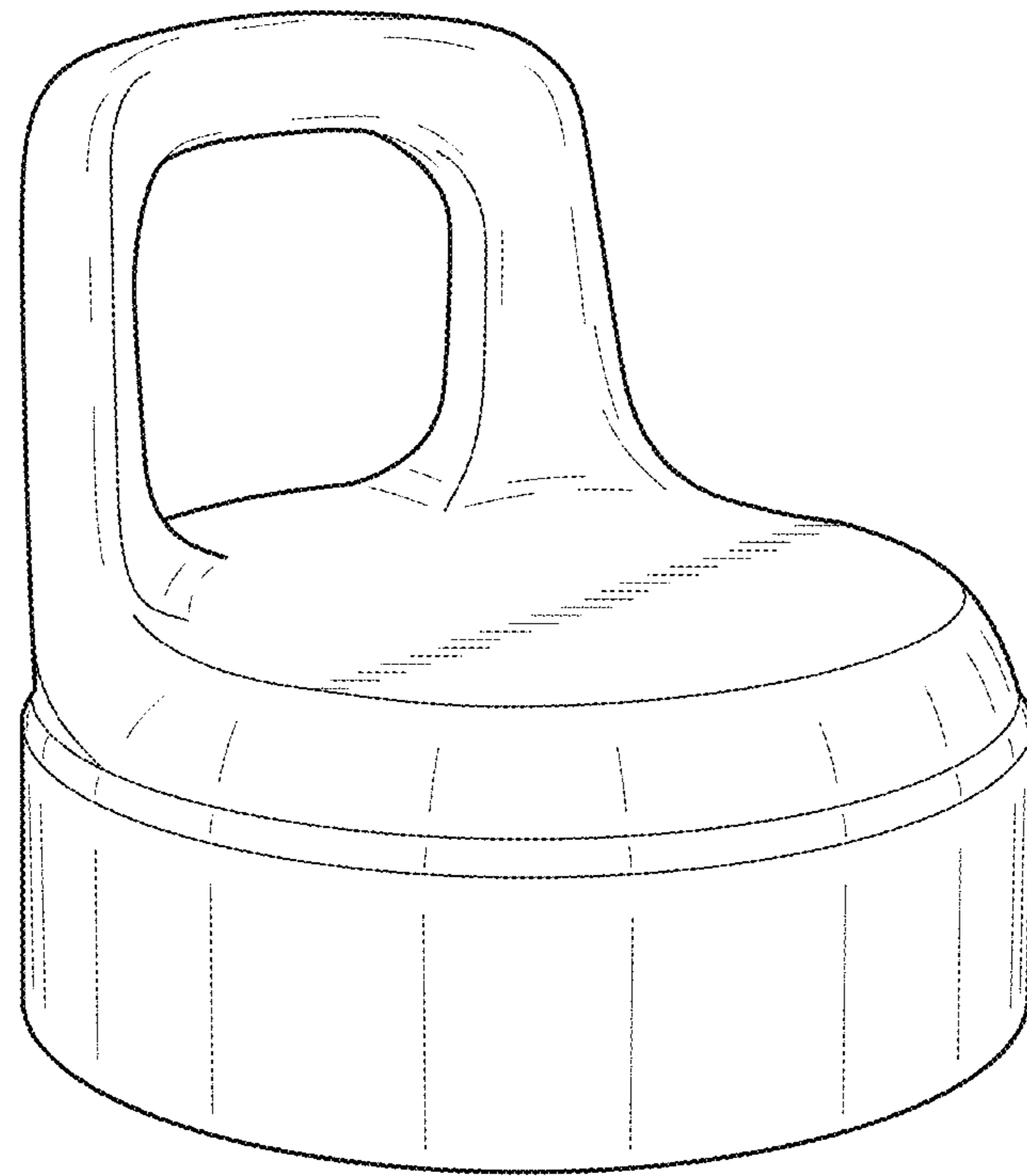


Fig. 3

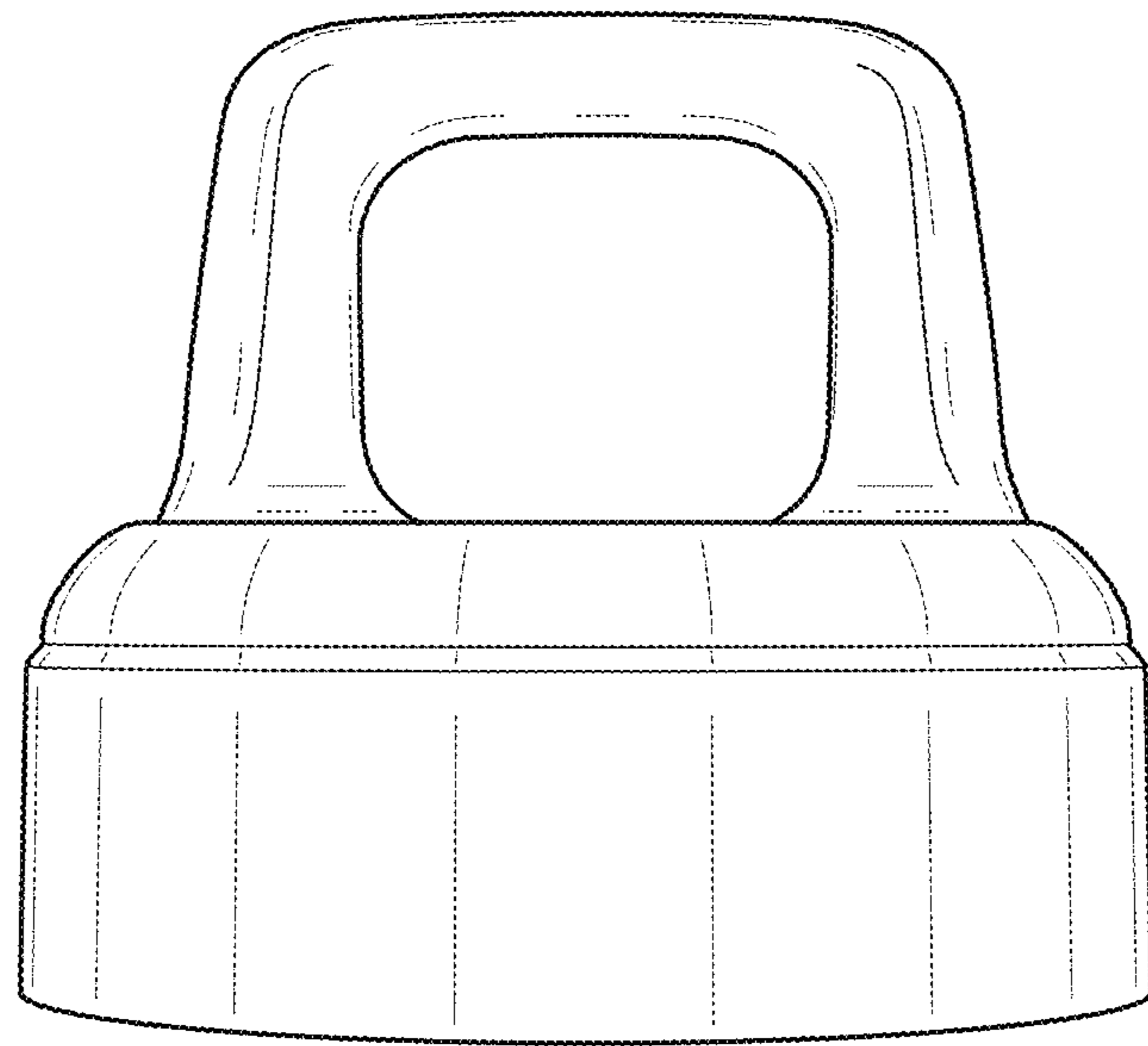


Fig. 4

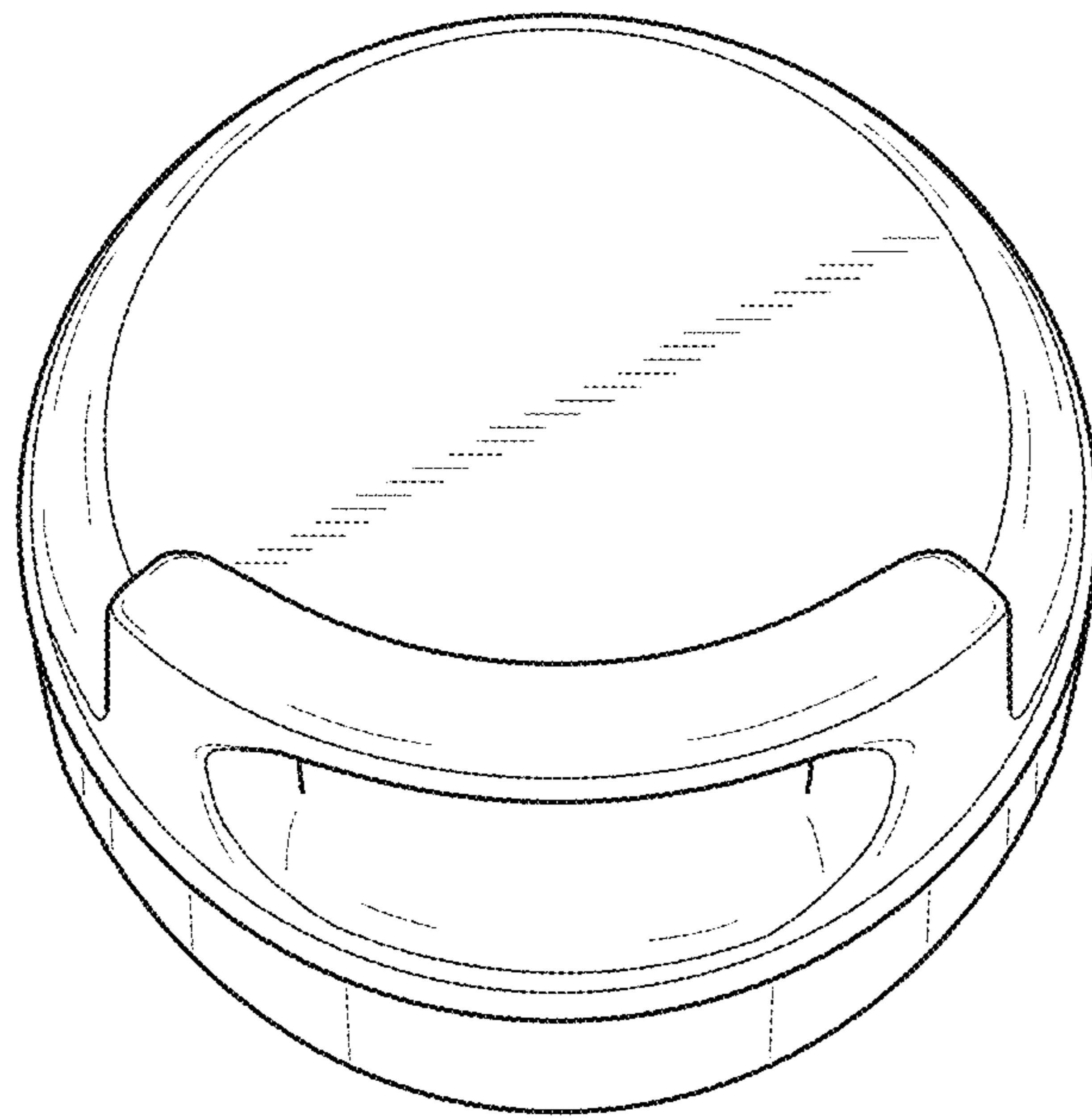


Fig. 5

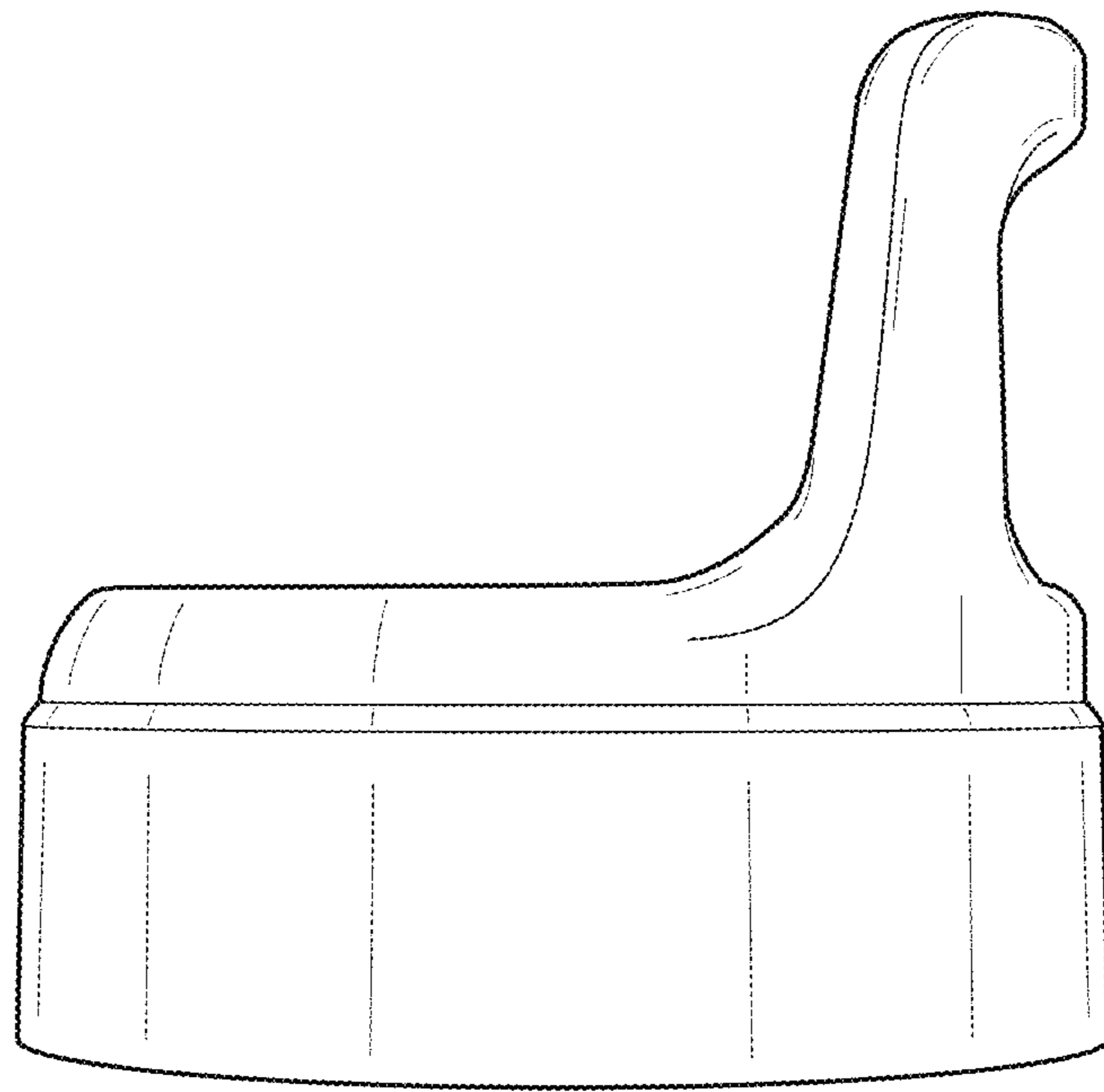


Fig. 6