



US00D816397S

(12) **United States Design Patent** (10) **Patent No.:** **US D816,397 S**
Karl, IV et al. (45) **Date of Patent:** **** May 1, 2018**

(54) **BOTTLE CAP**
(71) Applicant: **Shock Doctor, Inc.**, Minnetonka, MN (US)
(72) Inventors: **Adam Peter Karl, IV**, Burlington, VT (US); **Benjamin Casey Lanza**, Sheldon, VT (US); **James Creath Frazier**, Hinesburg, VT (US); **Bradley Philip Fishkin**, Burlington, VT (US)

D537,676 S * 3/2007 Kingsley D7/510
D596,458 S * 7/2009 McKinney D7/510
D605,942 S * 12/2009 Miksovsky D9/446
D609,969 S * 2/2010 McKinney D7/510
D660,082 S * 5/2012 Wahl D7/510
D758,189 S * 6/2016 Roth D7/392.1
D760,543 S * 7/2016 Lue D7/507
D764,232 S * 8/2016 Marina D7/513
D767,390 S * 9/2016 Miksovsky D7/392.1
2009/0236341 A1 * 9/2009 McKinney A47G 19/2266
220/375

(73) Assignee: **Shock Doctor, Inc.**, Minnetonka, MN (US)

(**) Term: **15 Years**

(21) Appl. No.: **29/575,355**

(22) Filed: **Aug. 24, 2016**

(51) **LOC (11) Cl.** **07-99**

(52) **U.S. Cl.**
USPC **D7/392.1; D7/396.2; D7/510; D9/453**

(58) **Field of Classification Search**
USPC **D7/507, 509, 510, 511, 523, 529, 530, D7/531, 532, 533, 534, 535, 536, 608, D7/392.1, 396.2, 396.4, 387, 394, 515; D9/434, 450, 453, 436; D10/46.2; D24/197, 199; 220/592.16, 592.17**
CPC **A47G 19/22; A47G 19/2205; A47G 19/2227; A47G 19/2266; A47F 3/16; B65D 47/066**

See application file for complete search history.

(56) **References Cited**

U.S. PATENT DOCUMENTS

D244,339 S * 5/1977 Wendt D7/317
D293,643 S * 1/1988 Bormioli D7/318
D458,082 S * 6/2002 Gluck D7/510
D501,362 S * 2/2005 Gauss D7/509
D512,874 S * 12/2005 Poulson D7/510
D529,338 S * 10/2006 Poulson D7/510

OTHER PUBLICATIONS

Waterbox Eastman Tritan Water Bottle Review; Jared Hargrave; Nov. 8, 2010; <http://www.utahoutside.com/2010/11/waterbox-eastman-triton-water-bottle-review/>; 13 pages.

* cited by examiner

Primary Examiner — Marianne Pandozzi

Assistant Examiner — Jae Liang

(74) *Attorney, Agent, or Firm* — Faegre Baker Daniels LLP

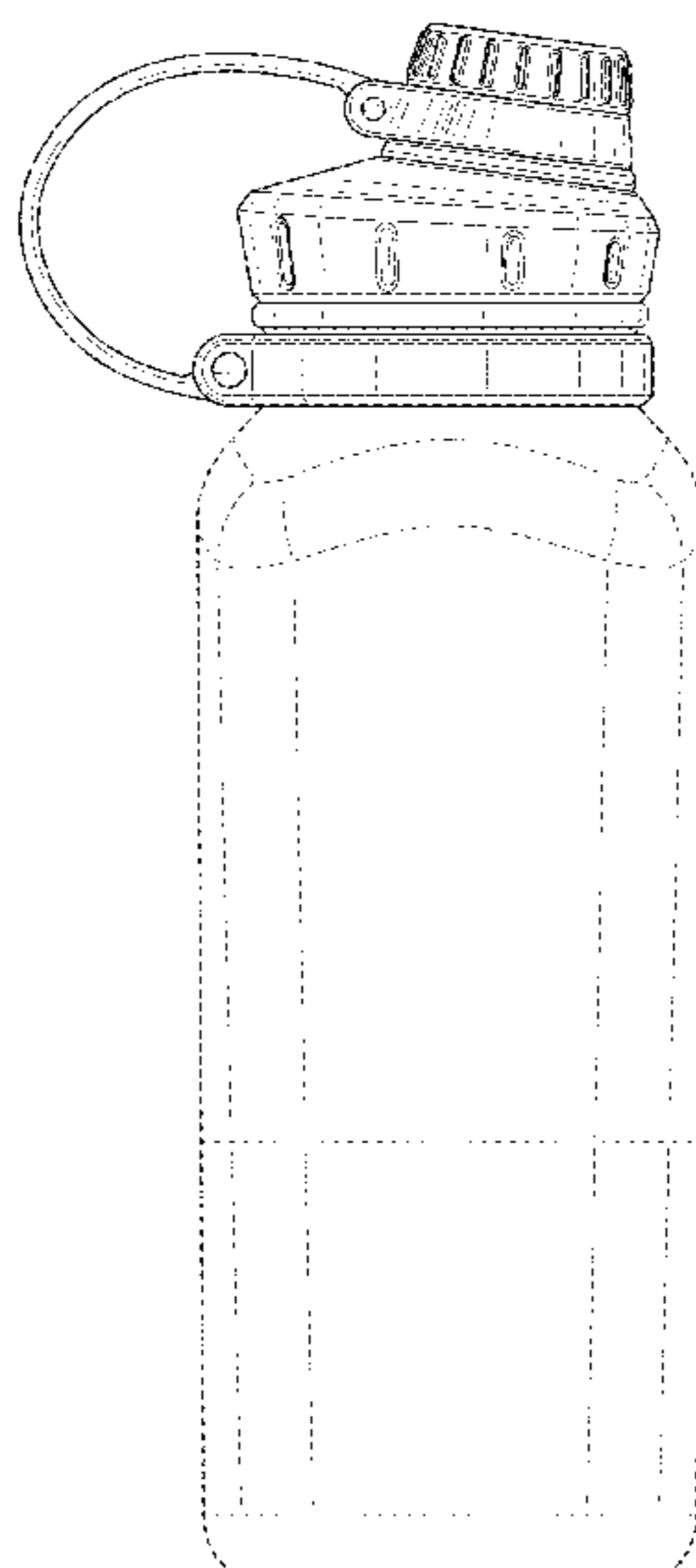
(57) **CLAIM**

The ornamental design for a bottle cap, as shown and described.

DESCRIPTION

FIG. 1 is a front perspective view of a bottle cap showing our new design;
FIG. 2 is a front view thereof;
FIG. 3 is a rear view thereof;
FIG. 4 is a left side view thereof;
FIG. 5 is a right side view thereof;
FIG. 6 is a top view thereof; and,
FIG. 7 is a bottom view thereof.
The broken lines in the drawing depict environmental subject matter only and form no part of the claimed design.

1 Claim, 6 Drawing Sheets



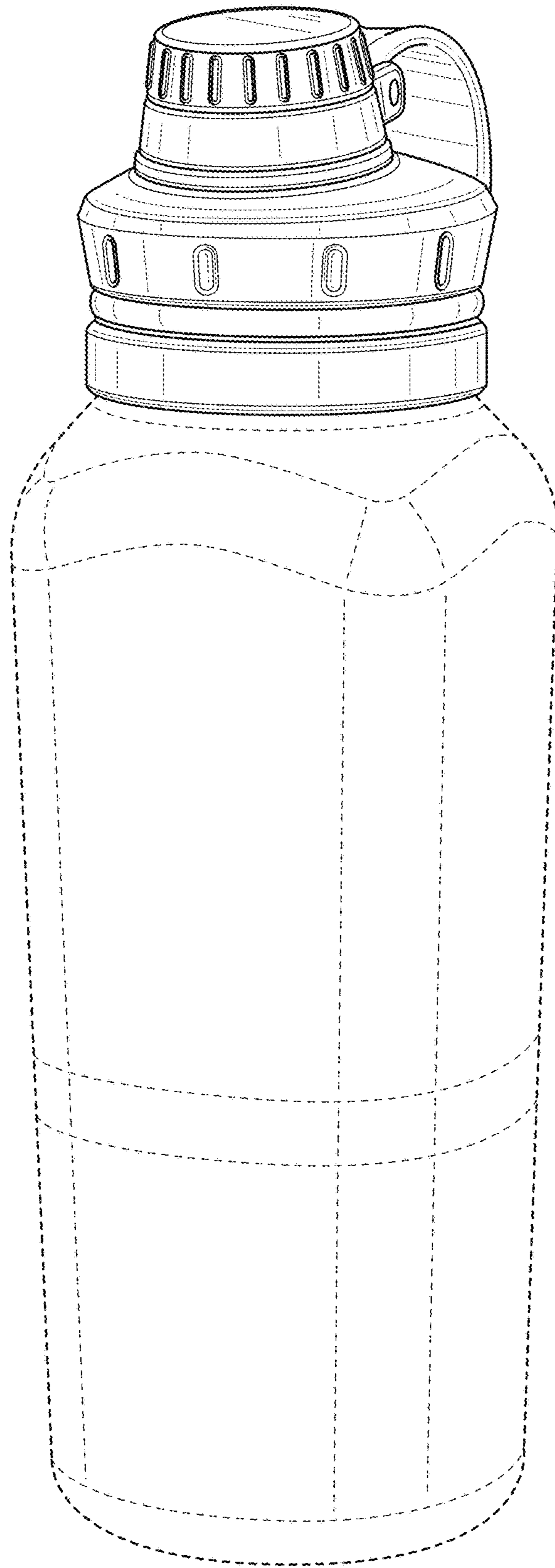


FIG. 1

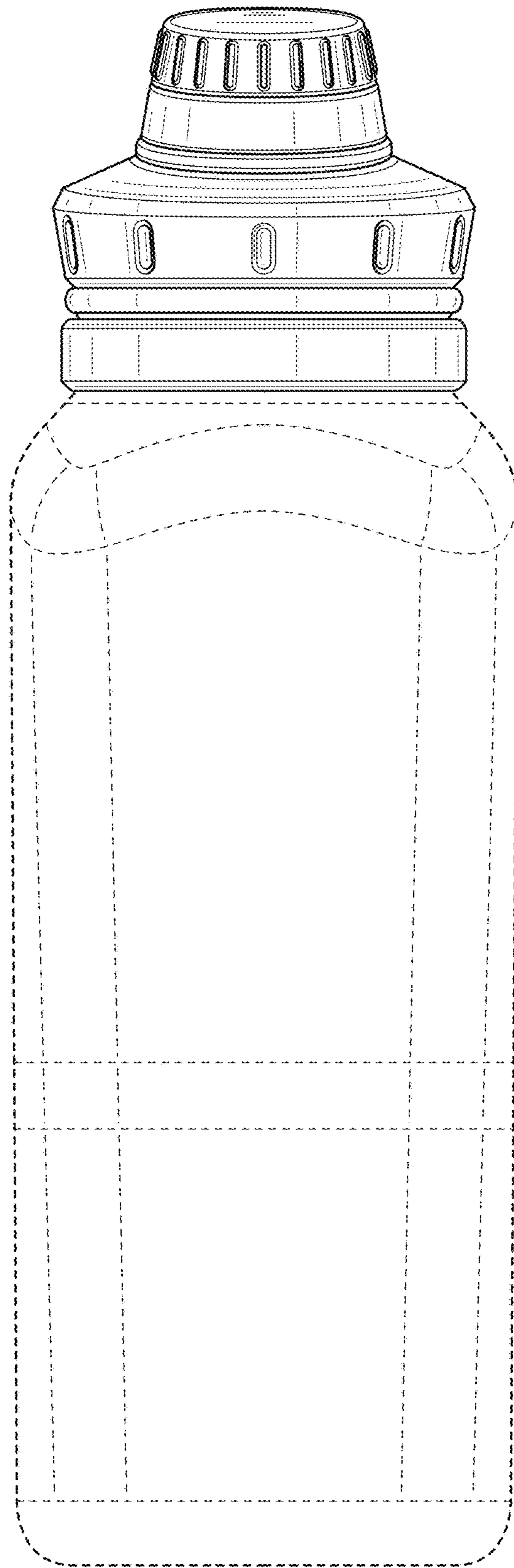


FIG. 2

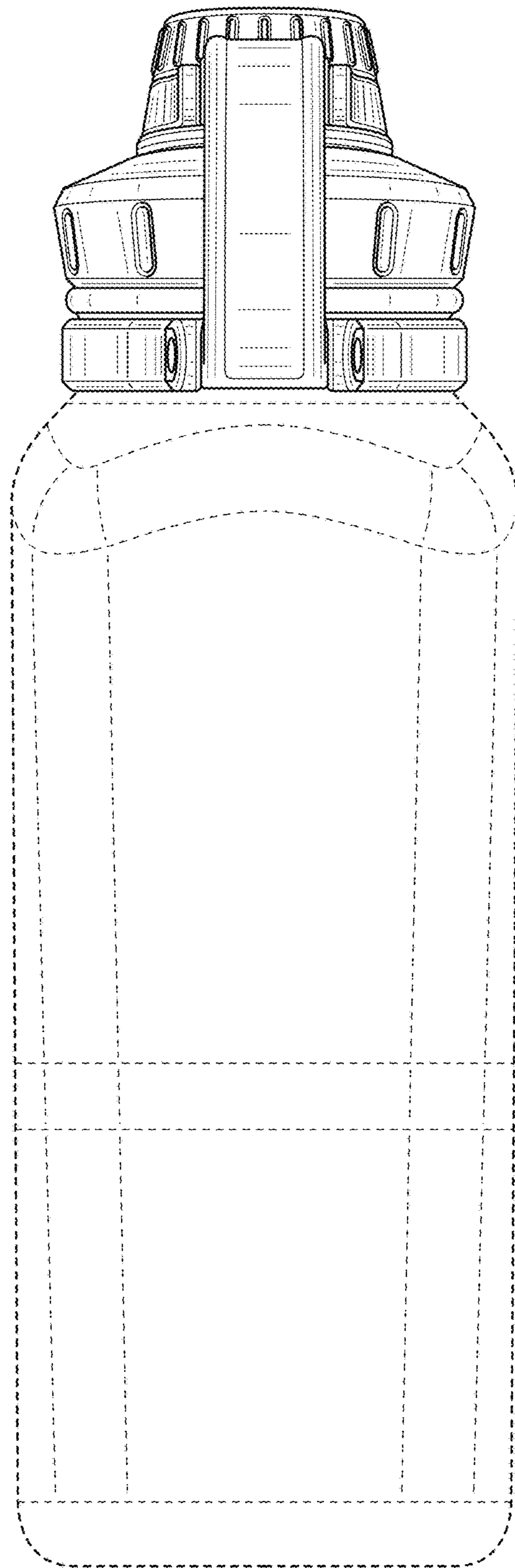


FIG. 3

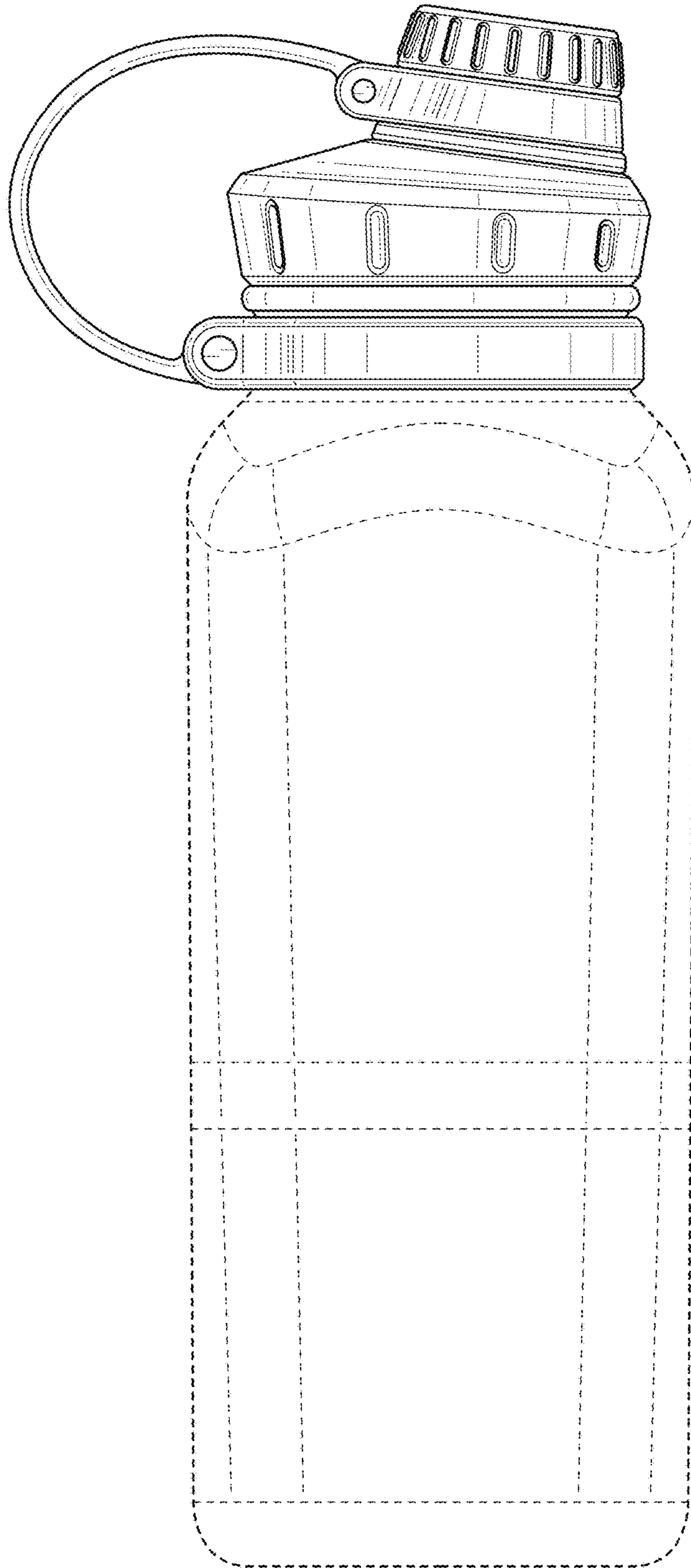


FIG. 4

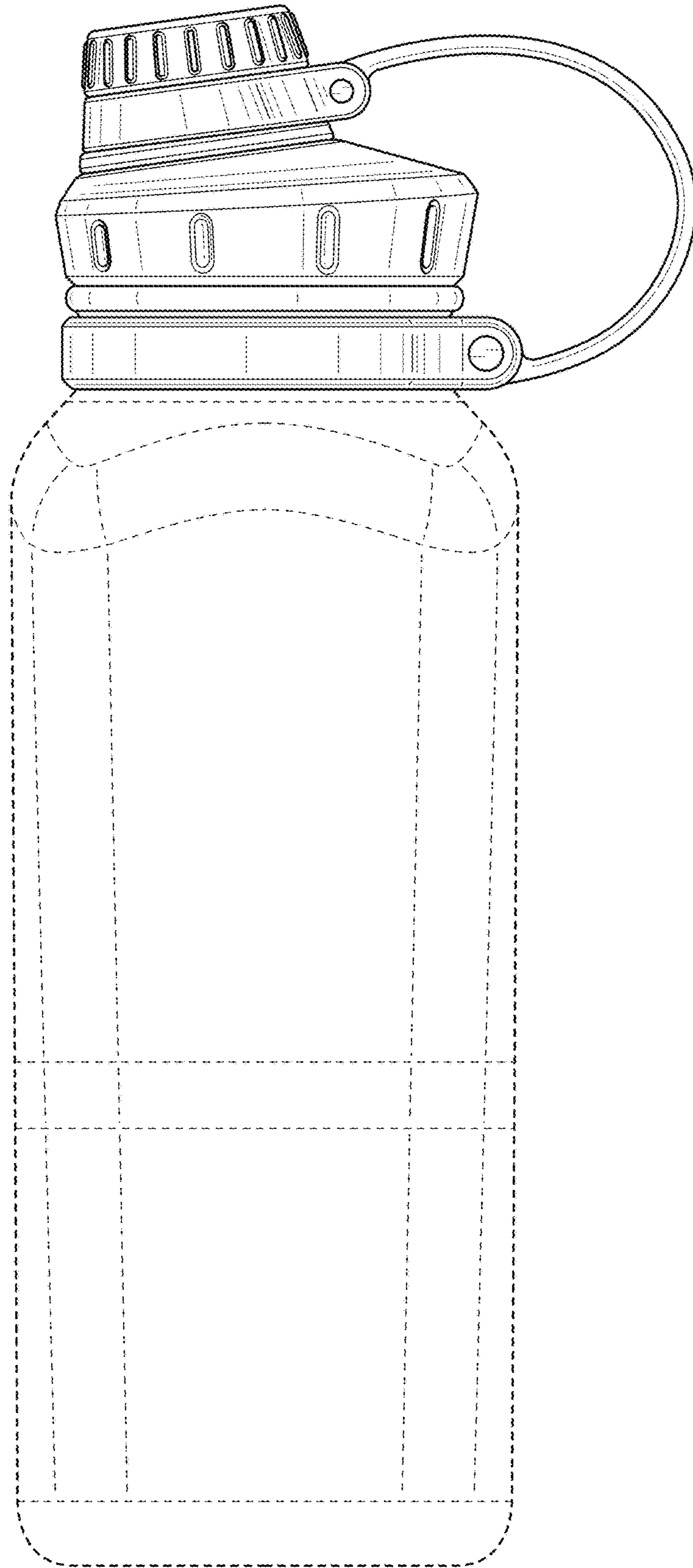


FIG. 5

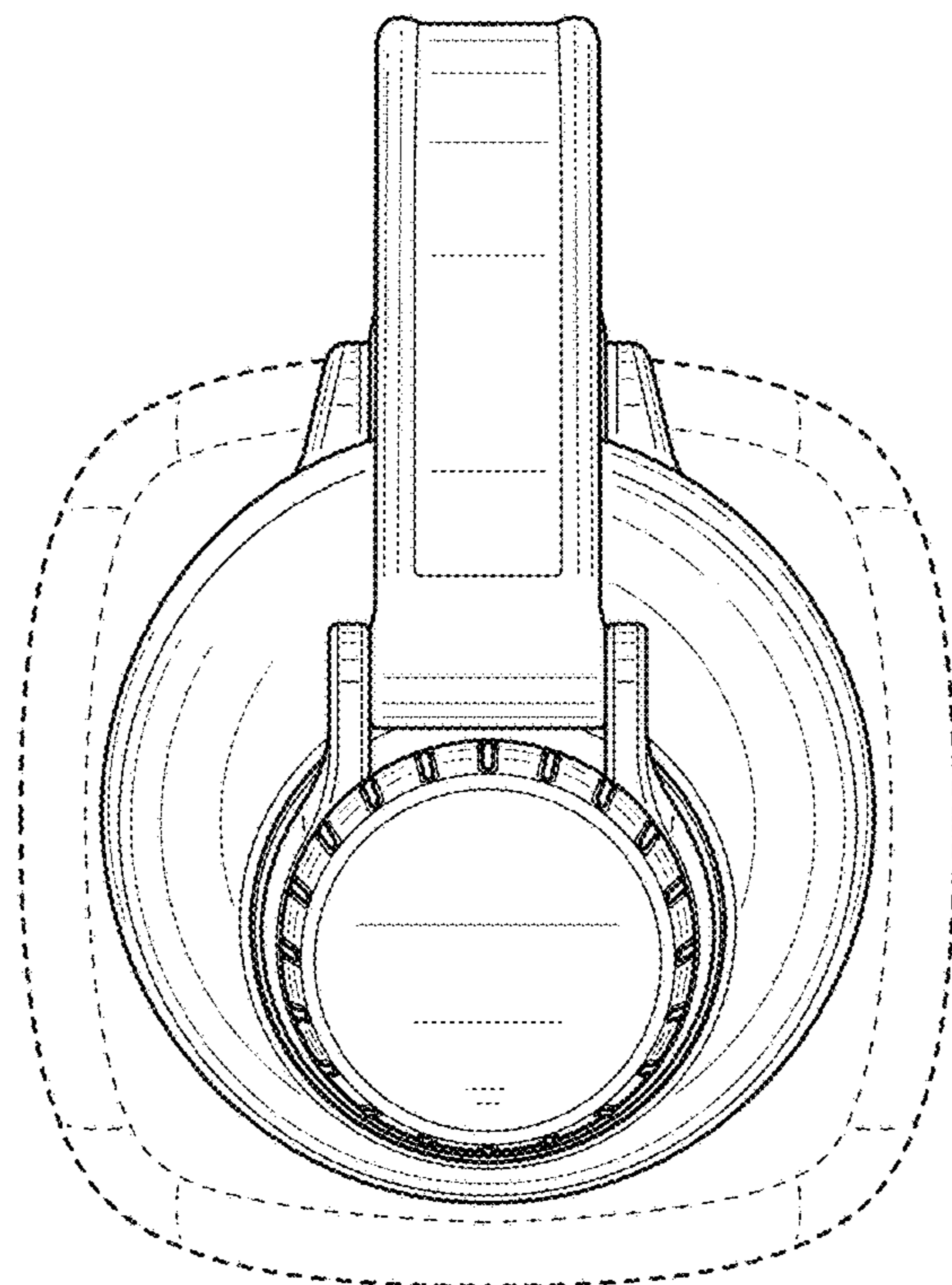


FIG. 6

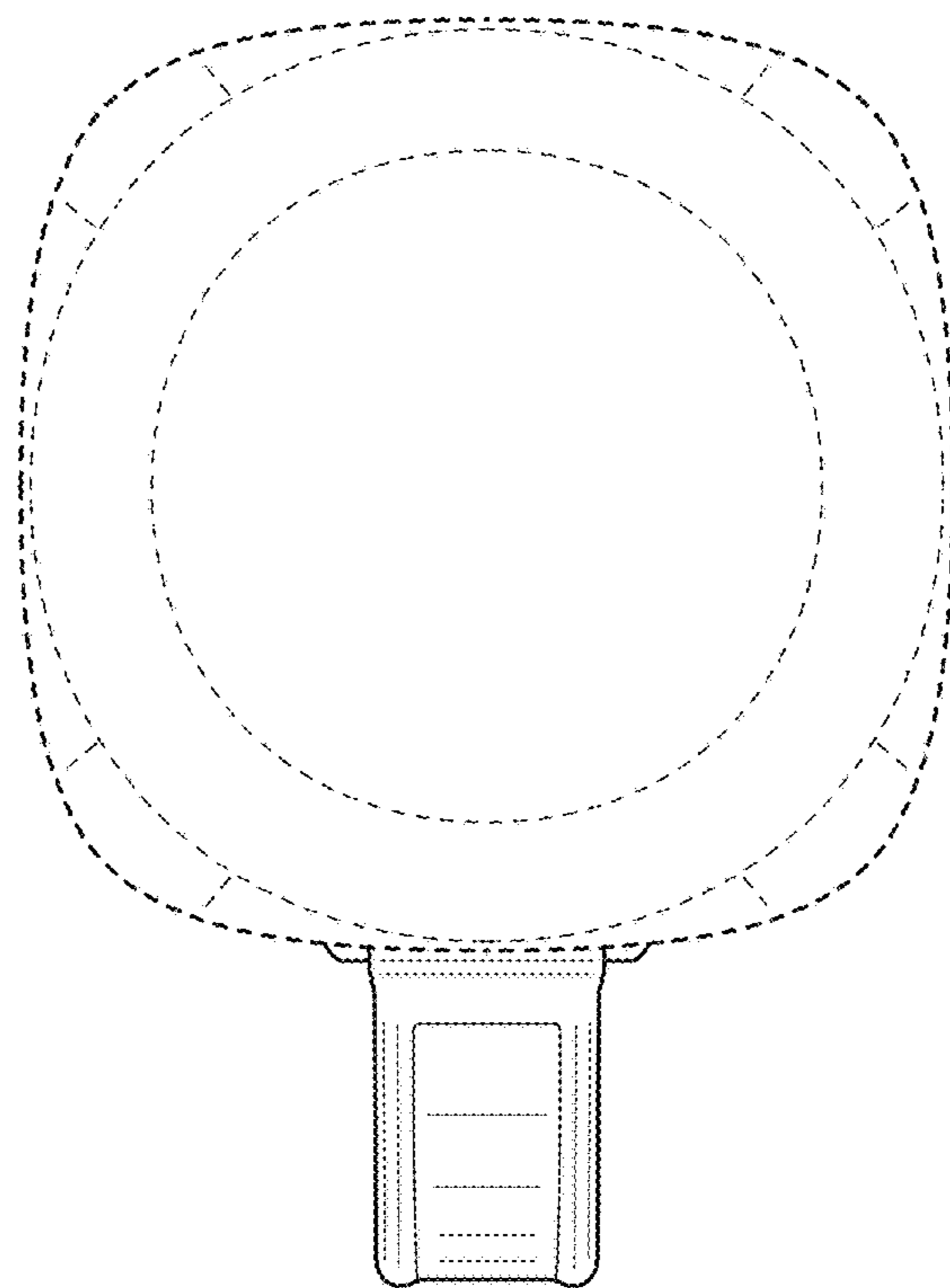


FIG. 7