



US00D816394S

(12) **United States Design Patent** (10) **Patent No.:** **US D816,394 S**
Yeung (45) **Date of Patent:** **** May 1, 2018**

- (54) **BLENDER**
- (71) Applicant: **Parentstar Corporation Limited,**
Kowloon (HK)
- (72) Inventor: **Chi Kuen Yeung,** Taikoo Shing (HK)
- (**) Term: **15 Years**
- (21) Appl. No.: **29/589,284**
- (22) Filed: **Dec. 29, 2016**
- (51) **LOC (11) Cl.** **31-00**
- (52) **U.S. Cl.**
USPC **D7/378; D7/376; D7/384; D7/386;**
D7/412
- (58) **Field of Classification Search**
USPC **D7/372, 376-386, 412-413, 602, 629,**
D7/665-666, 669, 679, 693-694
CPC **A21C 1/02; A21C 1/04; A23N 1/00; A23N**
1/02; A47J 43/04; A47J 43/25; A47J
43/27; A47J 43/042; A47J 43/044; A47J
43/046; A47J 43/075; A47J 43/0722;
A47J 43/0727; B01F 3/00; B01F 3/0807;
B01F 3/0853; B01F 13/0059; B01F
13/0064; B02C 1/08; B02C 2/04; B02C
4/42; B02C 4/142; B02C 4/143; B02C
4/423; B02C 13/1835; B28C 5/10; B28C
5/12; B28C 5/14; B28C 5/16
See application file for complete search history.

D630,467 S *	1/2011	Harrod	D7/372
D673,425 S *	1/2013	Brinckerhoff	D7/376
D747,915 S *	1/2016	Kim	D7/372
D767,327 S *	9/2016	McConnell	D7/376
D782,866 S *	4/2017	Suess	D7/376
D790,911 S *	7/2017	Thai	D7/376

OTHER PUBLICATIONS

Certificate of Registration of Design dated May 28, 2015 for Chinese Registration No. 1501131.5.

* cited by examiner

Primary Examiner — Ricky Pham

(74) *Attorney, Agent, or Firm* — Arnold & Porter Kaye Scholer LLP

(57) **CLAIM**

The ornamental design for a blender, as shown and described.

DESCRIPTION

FIG. 1 is a perspective view of one embodiment of a blender. FIG. 2 is a front view of the blender of FIG. 1. FIG. 3 is a rear view of the blender of FIG. 1. FIG. 4 is a left side view of the blender of FIG. 1. FIG. 5 is a right side view of the blender of FIG. 1. FIG. 6 is a top view of the blender of FIG. 1; and, FIG. 7 is a bottom view of the blender of FIG. 1.

Also, the references to “perspective,” “front,” “back,” “side,” “top,” and “bottom” views in the Figure Descriptions are not necessarily meant to require any specific orientation of the article as viewed. A blender according to the claimed design may be used in any orientation.

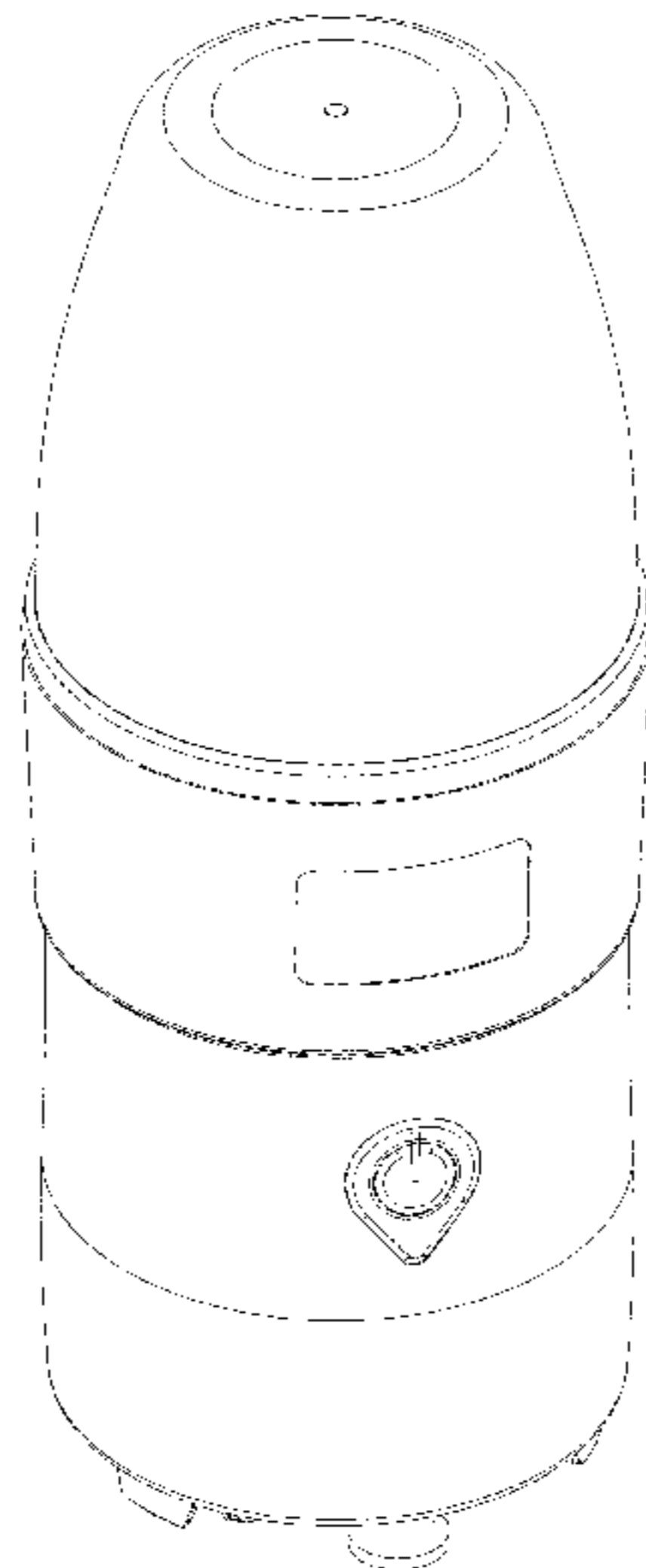
The broken-line disclosure in the views is for illustrative purposes only and forms is no part of the claimed design. Further, missing views not shown form no part of the claimed design.

1 Claim, 6 Drawing Sheets

(56) **References Cited**

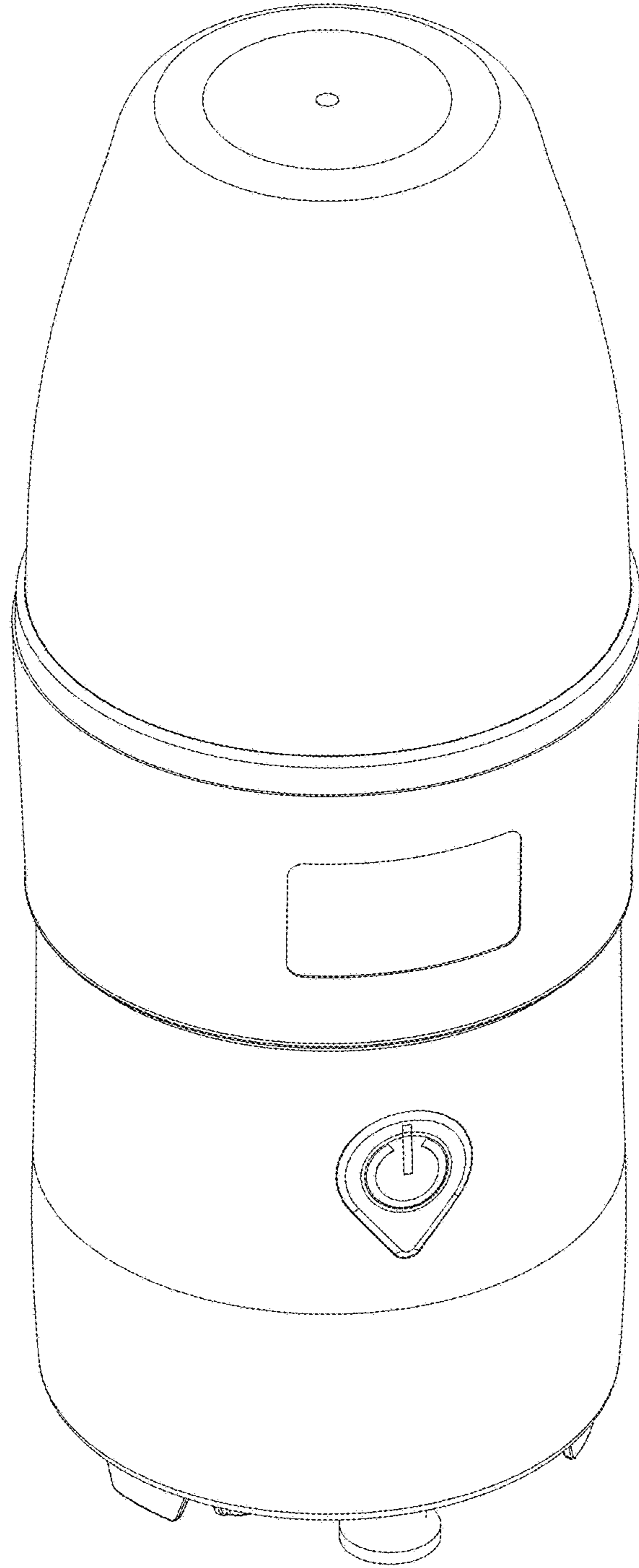
U.S. PATENT DOCUMENTS

D260,350 S *	8/1981	Kahlcke	D7/378
D372,835 S *	8/1996	Leverrier	D7/372
D390,745 S *	2/1998	Leverrier	D7/381
D554,427 S *	11/2007	Sands	D7/378
D572,076 S *	7/2008	Ling	D7/384
D621,206 S *	8/2010	Matta	D7/372
D629,643 S *	12/2010	Bower	D7/376



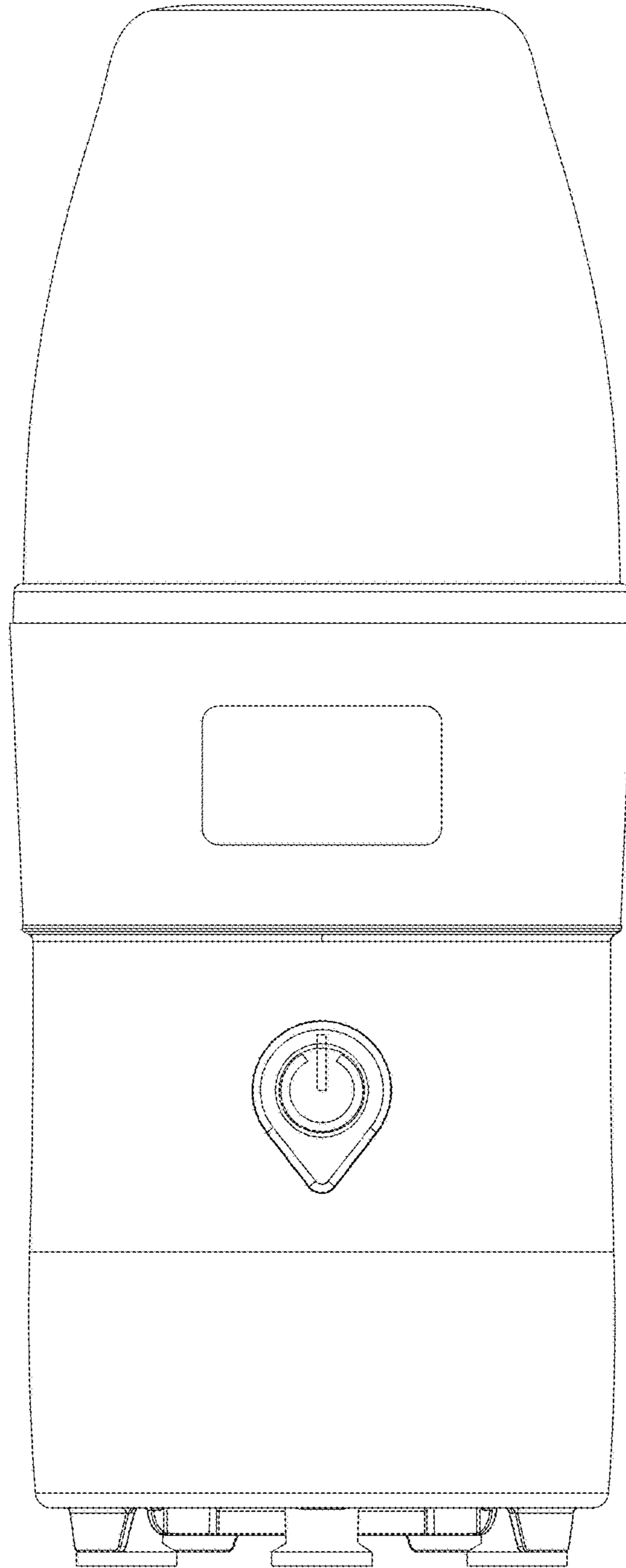
PERSPECTIVE VIEW

FIG. 1



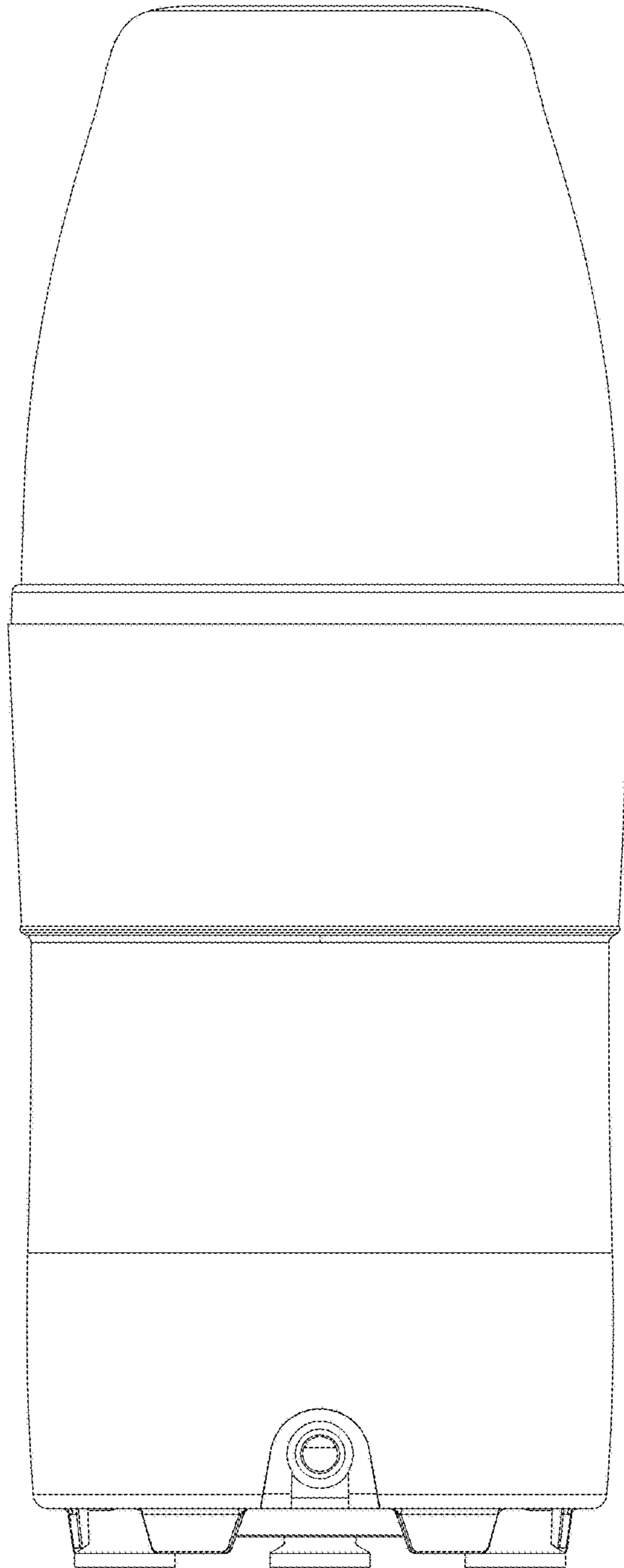
PERSPECTIVE VIEW

FIG. 2



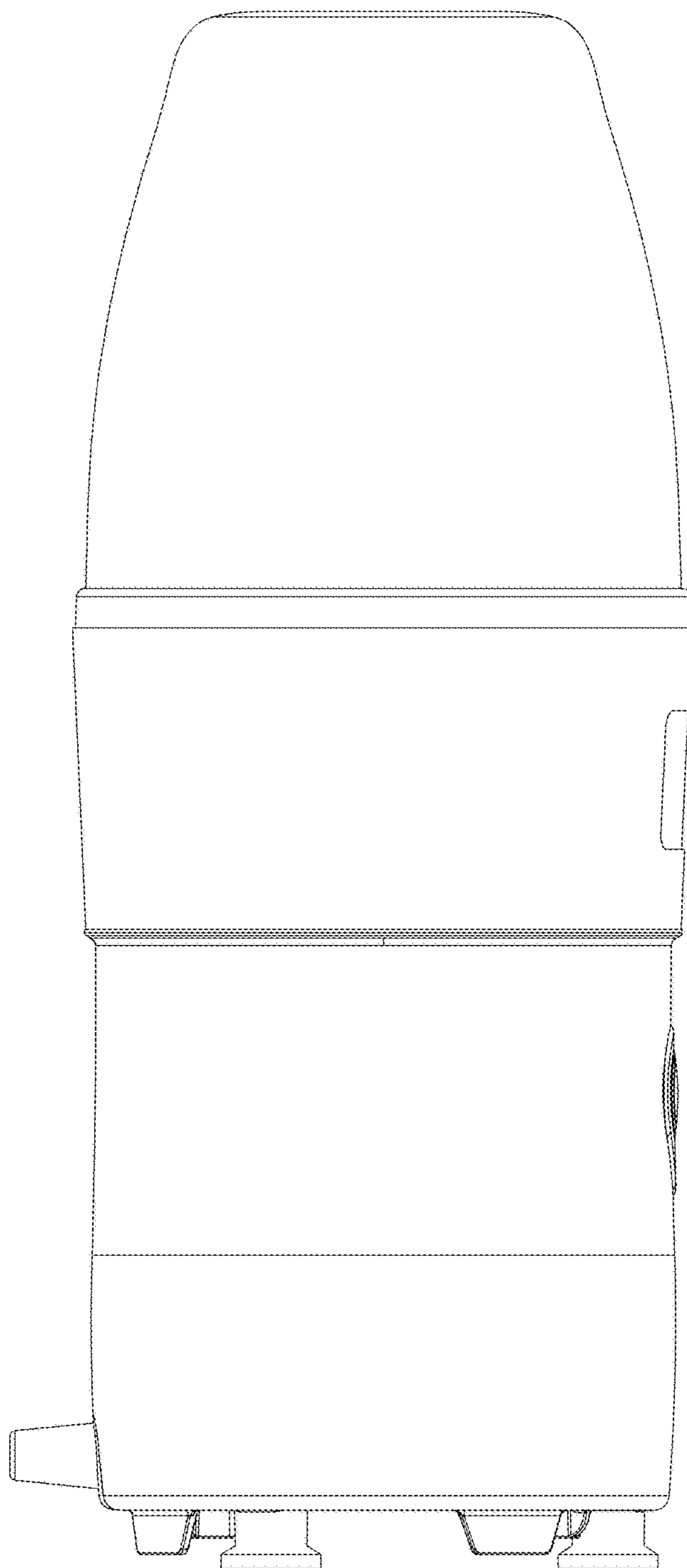
FRONT VIEW

FIG. 3



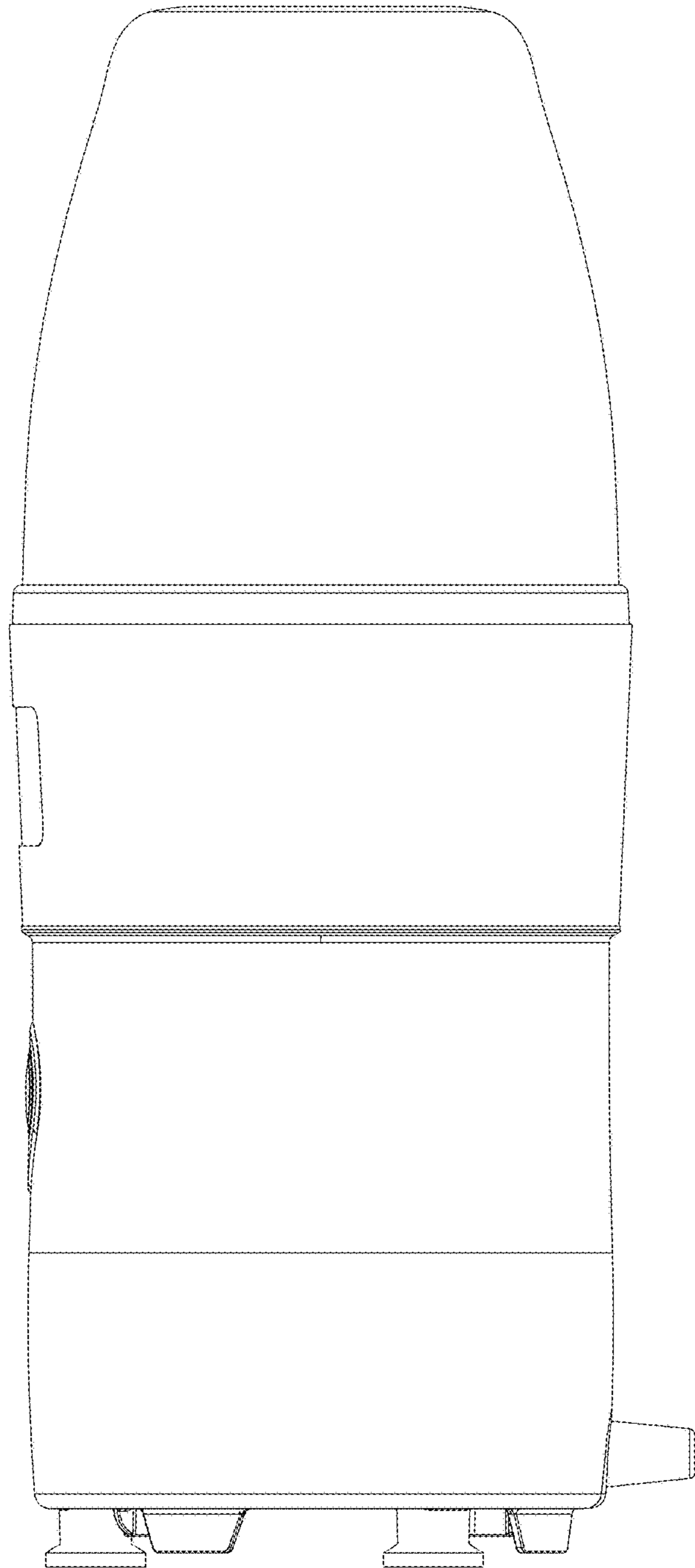
REAR VIEW

FIG. 4



LEFT SIDE VIEW

FIG. 5



RIGHT SIDE VIEW

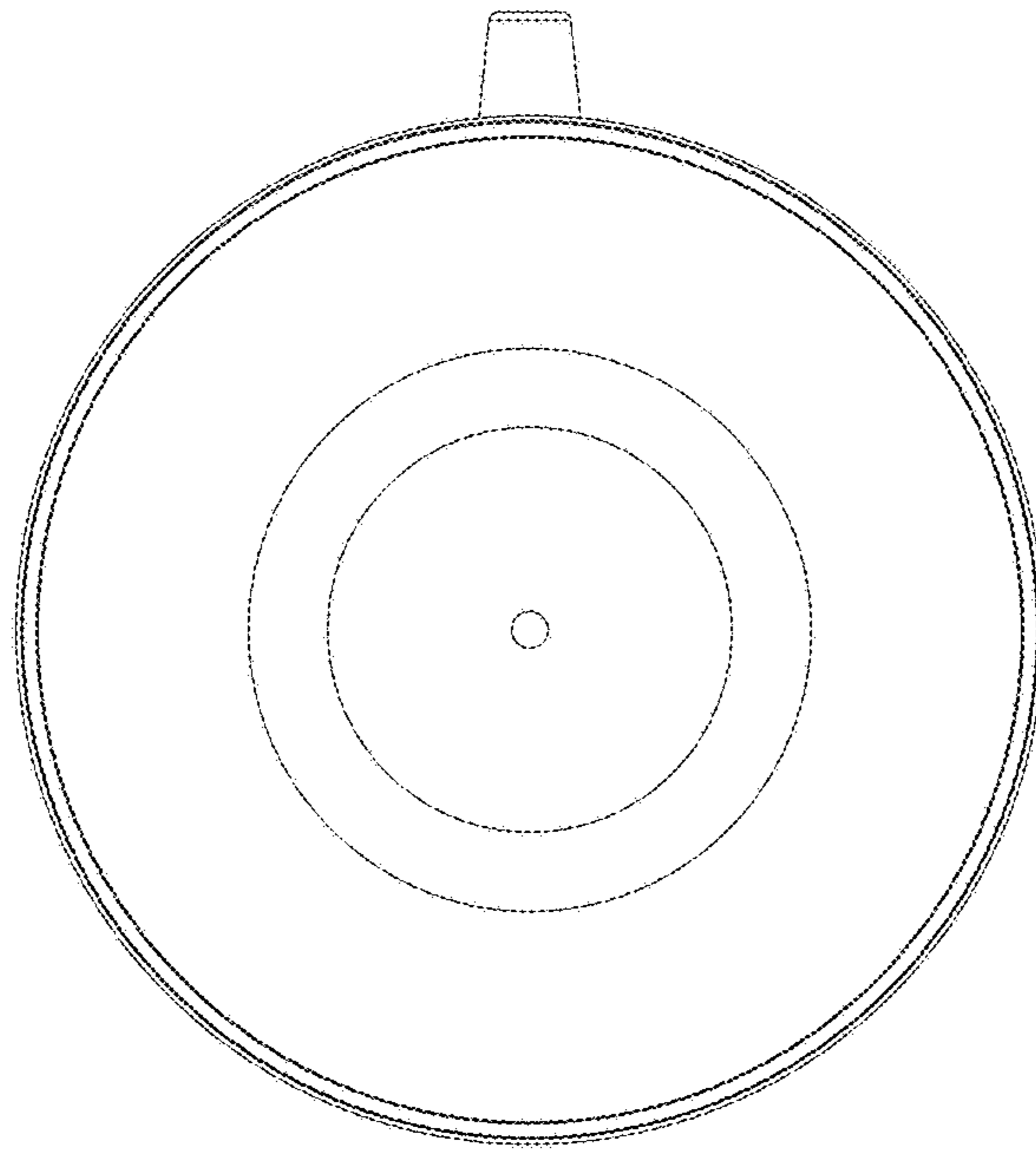


FIG. 6

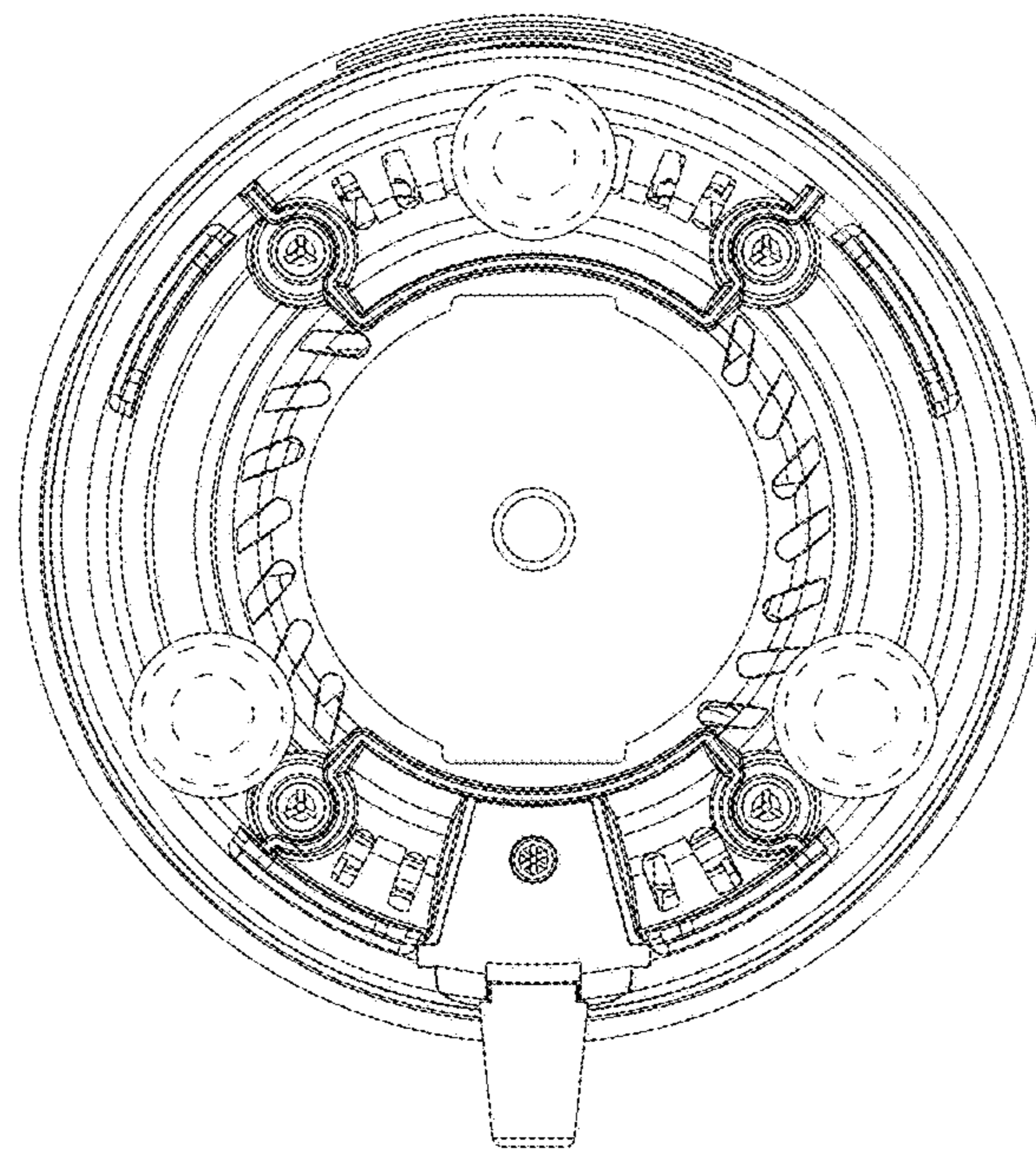


FIG. 7