



US00D816393S

(12) **United States Design Patent** (10) **Patent No.:** **US D816,393 S**
Sandberg (45) **Date of Patent:** **** May 1, 2018**

(54) **QUINOA PASTA MAKER** D267,771 S * 2/1983 Cavalli D7/376
5,409,365 A * 4/1995 Su A21C 1/06
(71) Applicant: **KONINKLIJKE PHILIPS N.V.**, Eindhoven (NL) D368,203 S * 3/1996 Hsu D7/376
D376,725 S * 12/1996 Kang D7/368
(72) Inventor: **Emma Stina Katarina Sandberg**, Shanghai (CN) D495,921 S * 9/2004 Lallemand D7/372
D586,613 S * 2/2009 Martinez D7/368
D704,984 S * 5/2014 Hollinger D7/376
D745,340 S * 12/2015 Lee D7/412
(73) Assignee: **KONINKLIJKE PHILIPS N.V.**, Eindhoven (NL) D772,023 S * 11/2016 Allende Fritsch D7/665
D775,491 S * 1/2017 Brinkley D7/372

(**) Term: **15 Years**

(21) Appl. No.: **35/501,618**

(22) Filed: **Mar. 24, 2016**

(80) **Hague Agreement Data**

Int. Filing Date: **Mar. 24, 2016**
Int. Reg. No.: **DM/090053**
Int. Reg. Date: **Mar. 24, 2016**
Int. Reg. Pub. Date: **Sep. 30, 2016**

(30) **Foreign Application Priority Data**

Nov. 30, 2015 (EM) 002883009-0001

(51) **LOC (11) Cl.** **07-04**

(52) **U.S. Cl.**
USPC **D7/368**

(58) **Field of Classification Search**
USPC D7/368, 372, 376, 381-386, 412-414,
D7/665, 669
CPC . A21C 11/20; A21C 1/144; A21C 3/04; A47J
9/005; A47J 43/06; B02C 18/302; B02C
18/36; B02C 18/00; B02C 18/065; B02C
2018/308
See application file for complete search history.

(56) **References Cited**

U.S. PATENT DOCUMENTS

D109,972 S * 6/1938 Anderson et al. D7/372
D118,154 S * 12/1939 Blazey D7/372

OTHER PUBLICATIONS

Philips Compact Pasta Maker, by Philips, Amazon [online], date first available Nov. 4, 2016, [retrieved on Sep. 6, 2017]. Retrieved from the Internet <URL: <https://www.amazon.com/Philips-Compact-Pasta-Maker-Collection/dp/B01N3PB5LN>>.*

* cited by examiner

Primary Examiner — Sheryl Lane
Assistant Examiner — Nicole C Shiflet

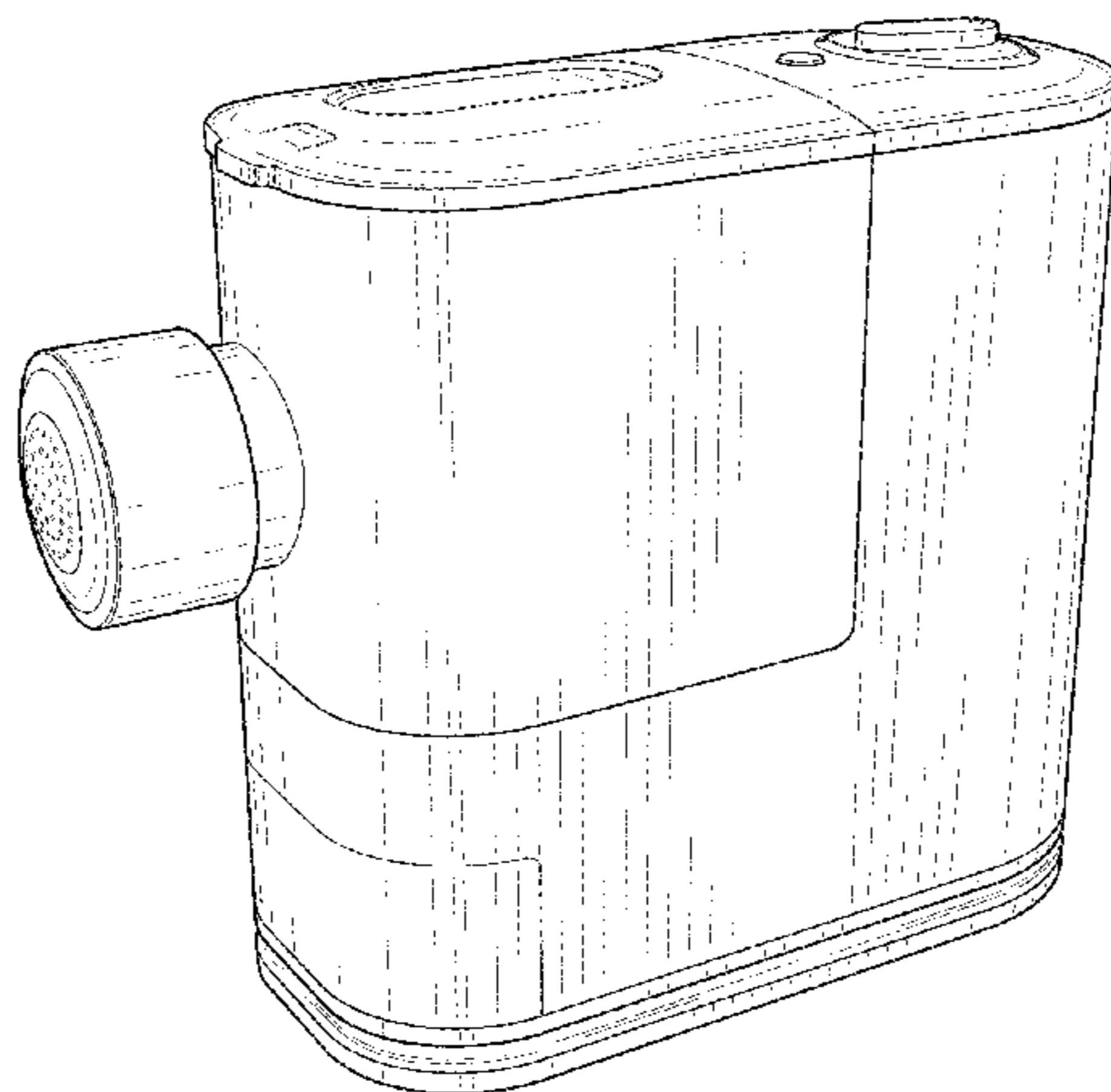
(57) **CLAIM**

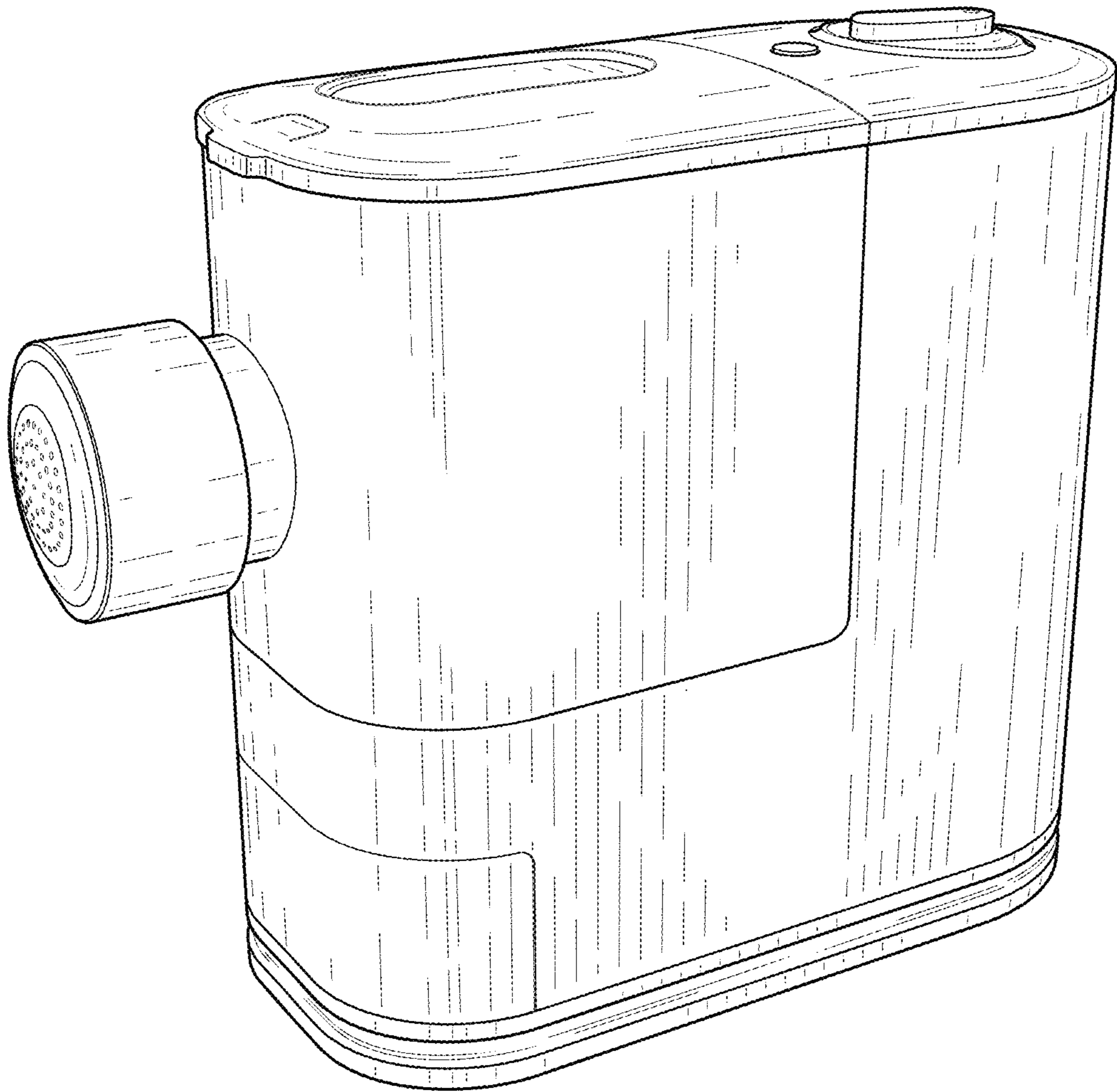
The ornamental design for a quinoa pasta maker, as shown and described.

DESCRIPTION

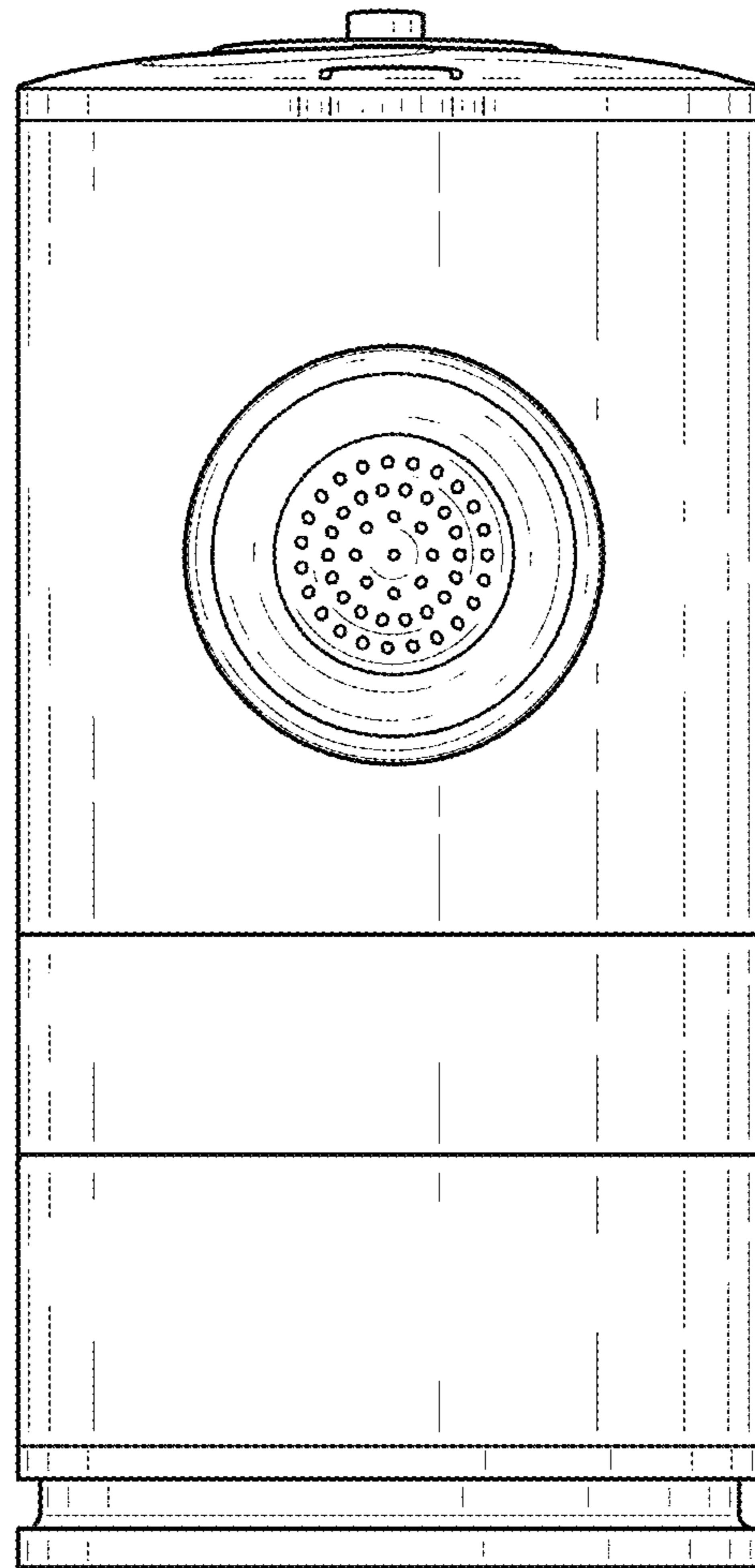
1.1 is a perspective view showing the quinoa pasta maker of my design;
1.2 is a front elevational view thereof;
1.3 is a rear elevational view thereof;
1.4 is a left side elevational view thereof;
1.5 is a right side elevational view thereof;
1.6 is a top plan view thereof; and
1.7 is a bottom plan view thereof.
The portions of the quinoa pasta maker shown in broken lines are included for the purpose of illustrating unclaimed portions of the quinoa pasta maker and form no part of the claimed design.

1 Claim, 7 Drawing Sheets

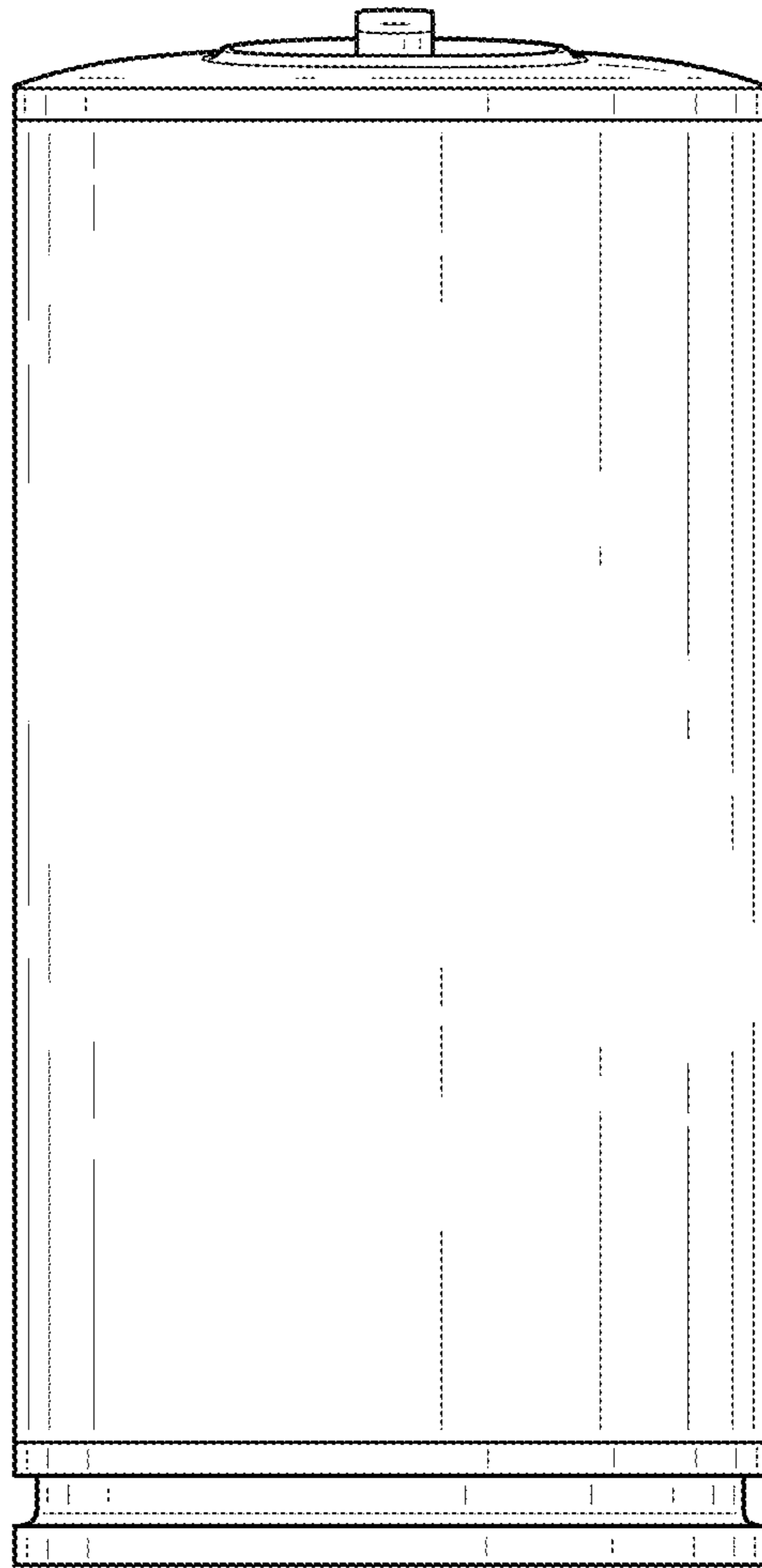




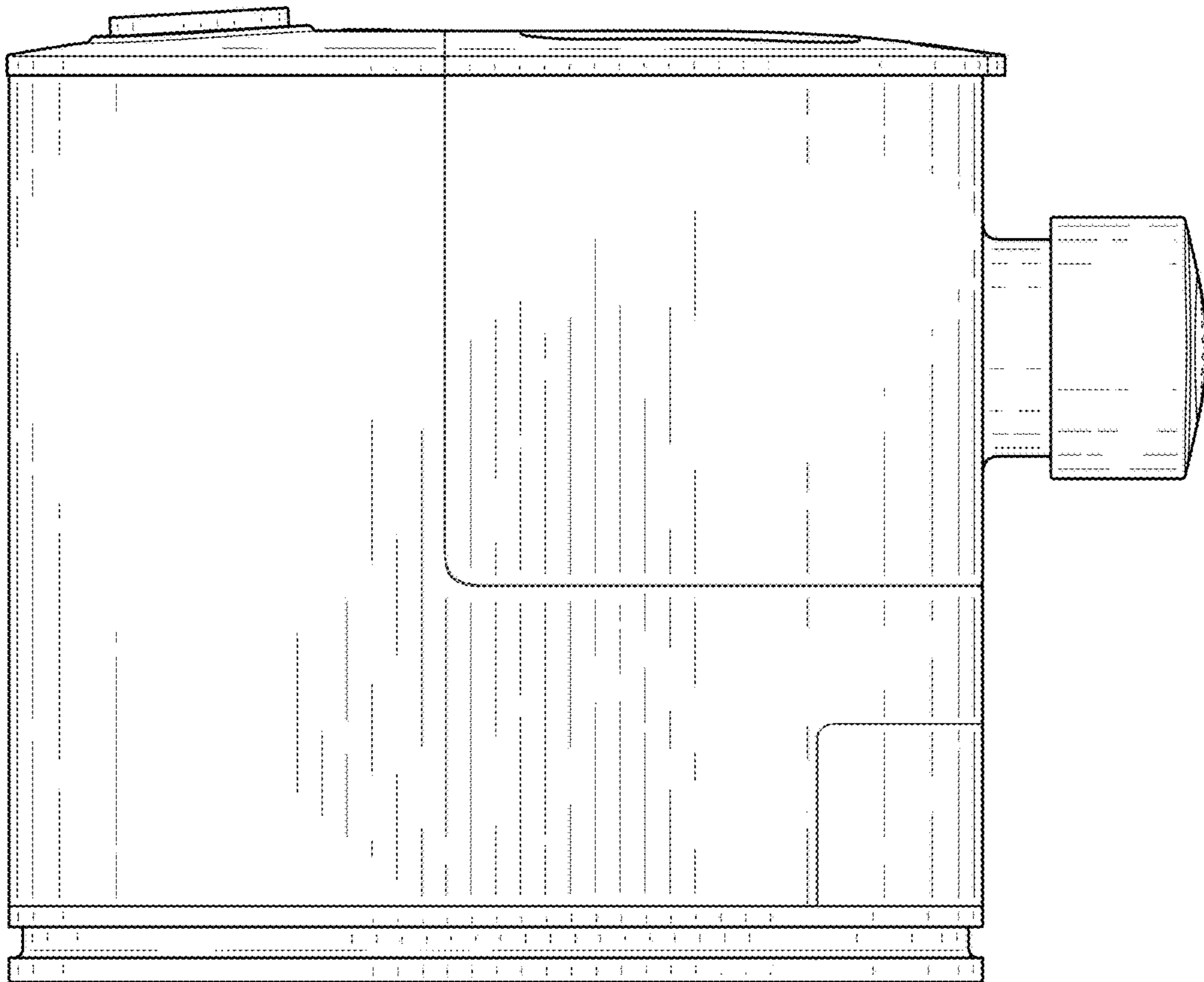
1.1



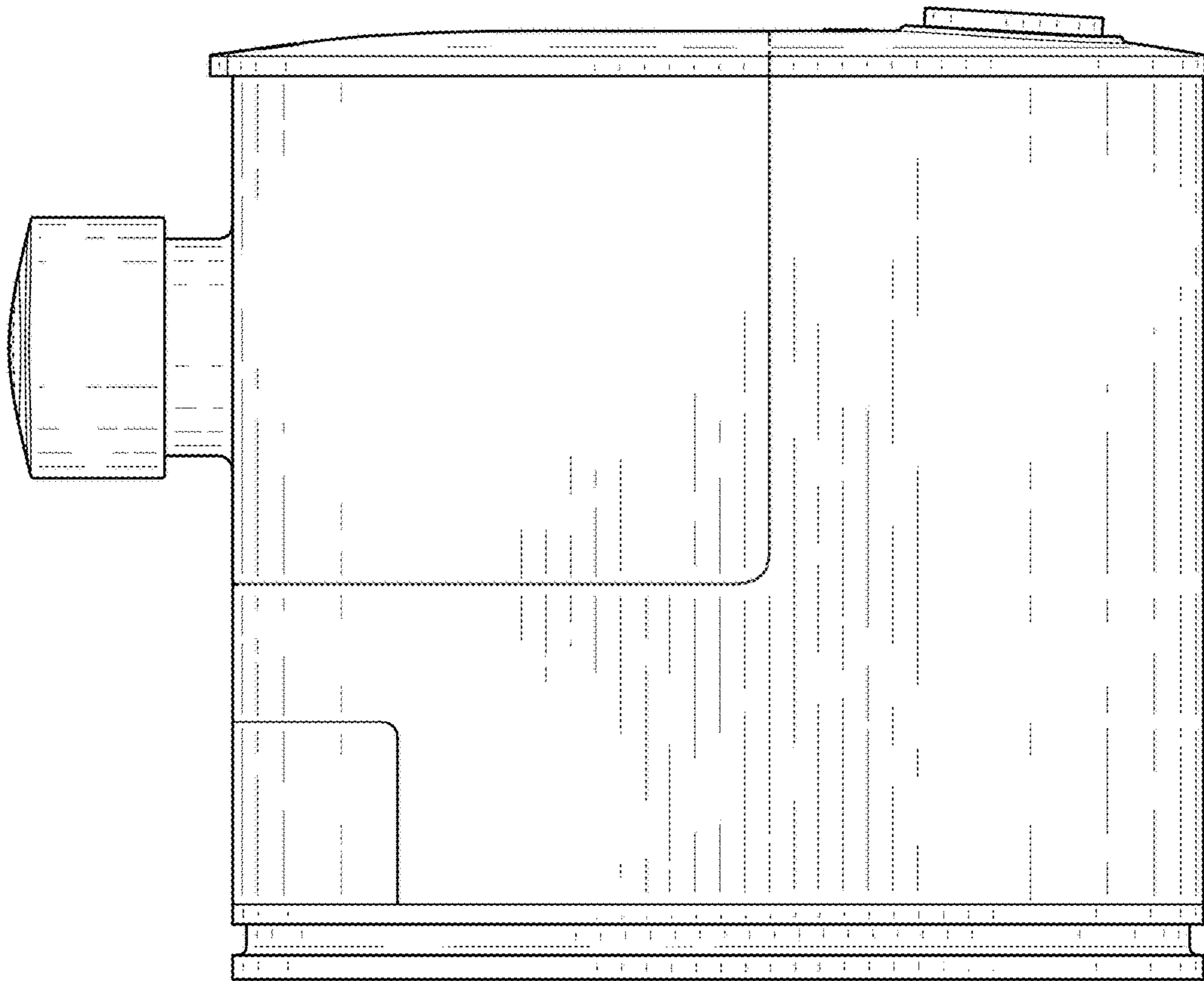
1.2



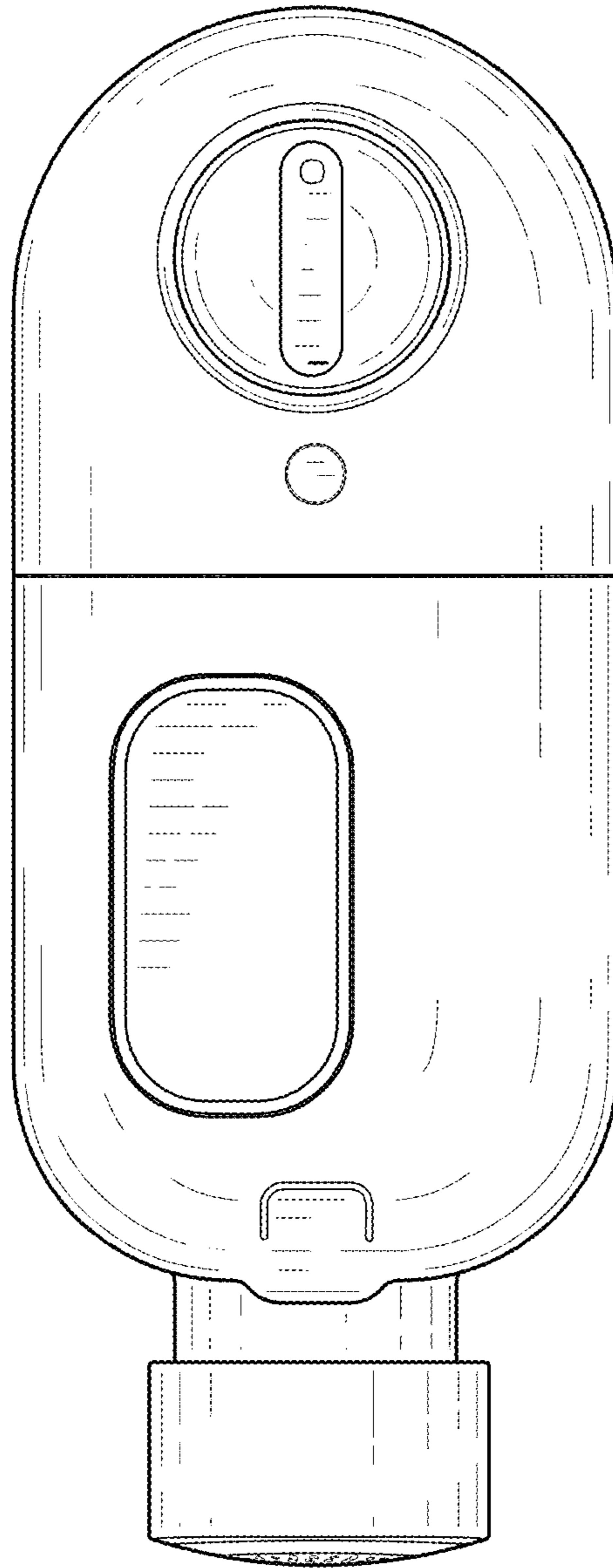
1.3



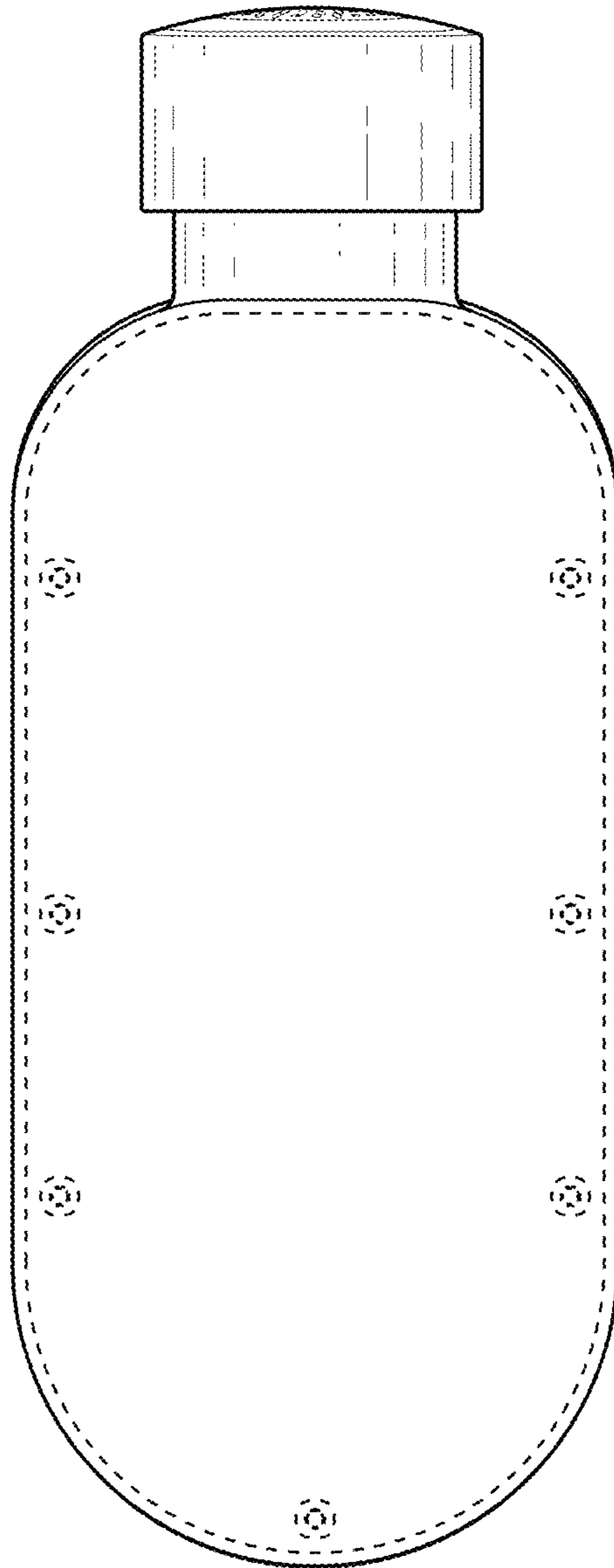
1.4



1.5



1.6



1.7