



US00D816390S

(12) **United States Design Patent** (10) **Patent No.:** **US D816,390 S**
Zhang et al. (45) **Date of Patent:** **** May 1, 2018**

(54) **FRYER** D449,958 S * 11/2001 Liu D7/356
D452,795 S * 1/2002 Johnson D7/354
(71) Applicant: **KONINKLIJKE PHILIPS N.V.**, D464,526 S * 10/2002 Brown D7/354
Eindhoven (NL) 6,742,444 B1 * 6/2004 Lai A47J 37/1209
219/430
(72) Inventors: **Mingshuo Zhang**, Amstelveen (NL); D532,248 S * 11/2006 Allende Fritsch D7/354
Andreas Kowalewski, Amsterdam (NL) D592,008 S * 5/2009 Reiner D7/354
D620,743 S * 8/2010 Hsiao D7/354
(73) Assignee: **KONINKLIJKE PHILIPS N.V.**, D677,113 S * 3/2013 Reiner D7/354
Eindhoven (NL) D680,802 S * 4/2013 Seymour D7/354
D692,718 S * 11/2013 Verbrugge D7/354
D704,500 S * 5/2014 Kim D7/354
D719,397 S * 12/2014 Krooshof D7/354

(**) Term: **15 Years**

(21) Appl. No.: **35/501,199**

(22) Filed: **Jan. 11, 2016**

(80) **Hague Agreement Data**

Int. Filing Date: **Jan. 11, 2016**
Int. Reg. No.: **DM/089009**
Int. Reg. Date: **Jan. 11, 2016**
Int. Reg. Pub. Date: **Jul. 15, 2016**

(30) **Foreign Application Priority Data**

Aug. 25, 2015 (EM) 002759811-0001
Aug. 25, 2015 (EM) 002759811-0005

(51) **LOC (11) Cl.** **07-02**

(52) **U.S. Cl.**
USPC **D7/354**

(58) **Field of Classification Search**
USPC D7/402-405, 354-361, 332-337, 323,
D7/327, 339, 352
CPC A47J 37/12; A47J 37/1204; A47J 37/1209;
A47J 37/1257
See application file for complete search history.

(56) **References Cited**

U.S. PATENT DOCUMENTS

D387,243 S * 12/1997 Bumoux D7/354
D436,795 S * 1/2001 Martres D7/354

(Continued)

OTHER PUBLICATIONS

Philips Airfryer HD922026, by Philips, Amazon [online], date first available Jun. 5, 2013, [retrieved on Jun. 30, 2017]. Retrieved from the Internet <URL: https://www.amazon.com/Philips-HD9220-26-Airfryer-Black/dp/B00D7N43UA/ref=sr_1_2?ie=UTF8&qid=1498793359&sr=8-2&keywords=philips+fryer>.*

(Continued)

Primary Examiner — Sheryl Lane
Assistant Examiner — Nicole C Shiflet

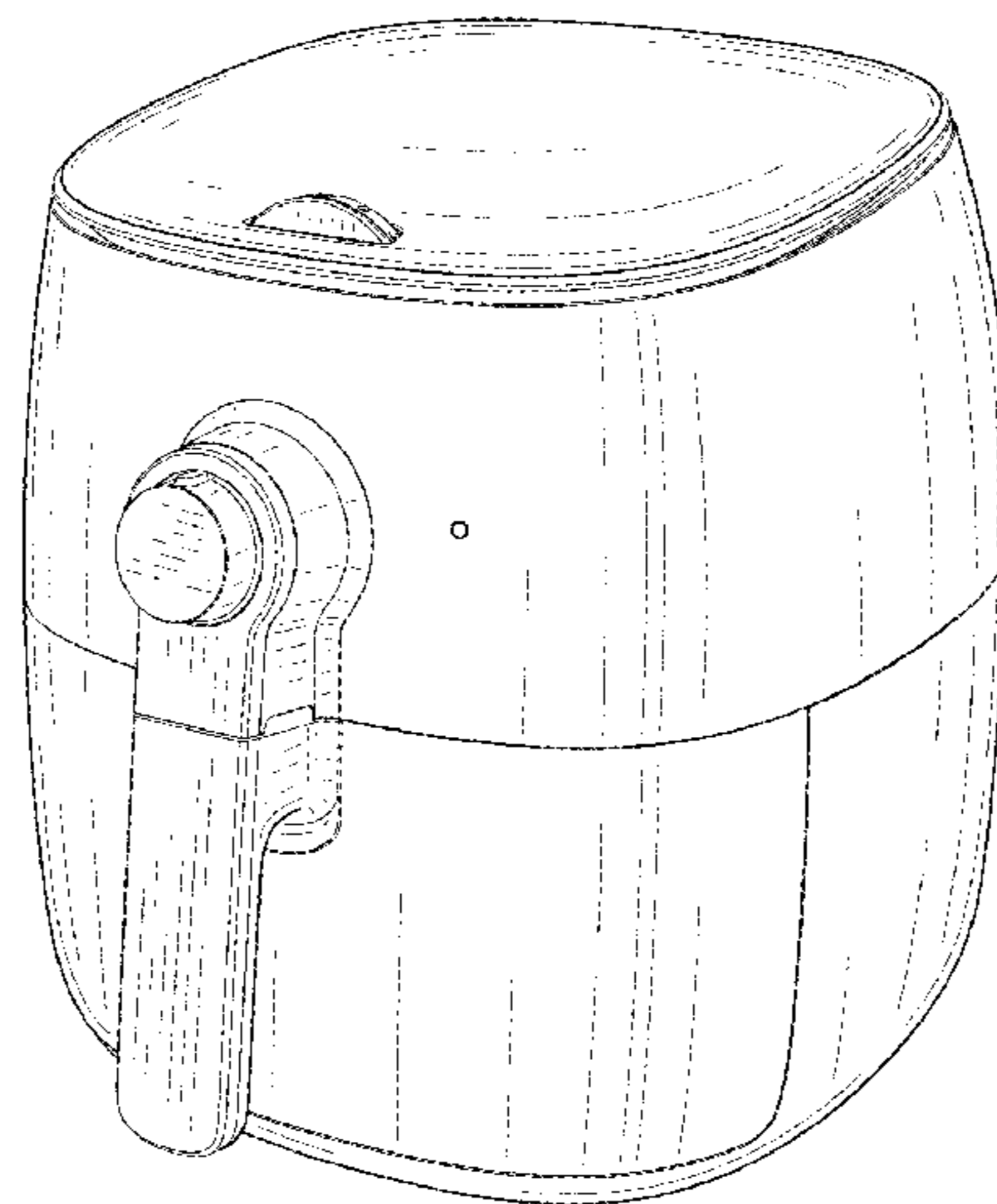
(57) **CLAIM**

The ornamental design for a fryer, as shown and described.

DESCRIPTION

1. Fryer
1.1 is a top front perspective view showing the fryer;
1.2 is a front elevational view thereof;
1.3 is a rear elevational view thereof;
1.4 is a left side elevational view thereof;
1.5 is a right side elevational view thereof;
1.6 is a top plan view thereof; and
1.7 is a bottom plan view thereof.
The broken lines in the views of the reproductions depict portions of the fryer that form no part of the claimed design.

1 Claim, 7 Drawing Sheets



(56)

References Cited

U.S. PATENT DOCUMENTS

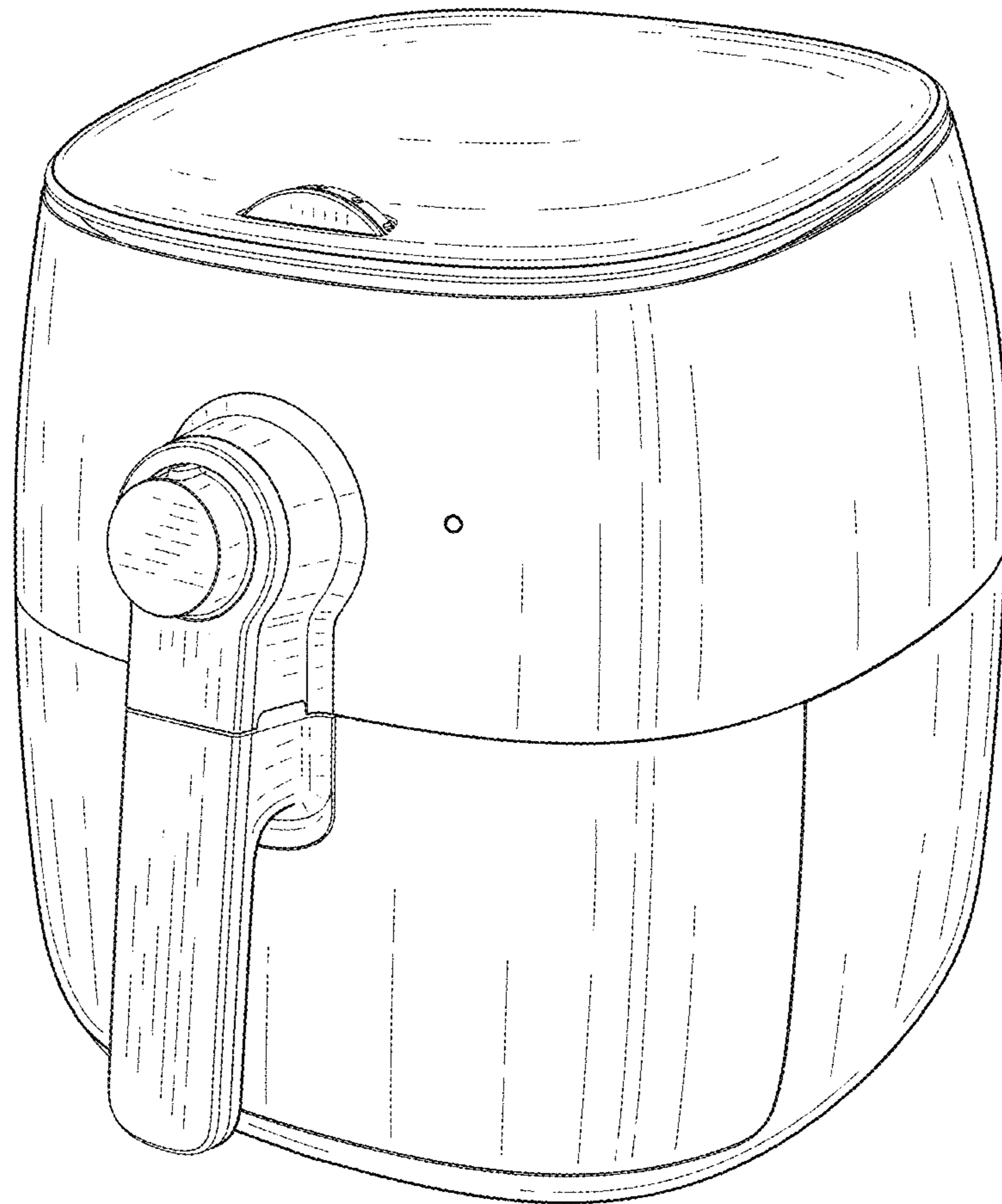
D734,973	S *	7/2015	Leavitt	D7/323
D738,671	S *	9/2015	Ha	D7/323
D750,418	S *	3/2016	Allende Fritsch	D7/354
D750,419	S *	3/2016	Hu	D7/354
D770,843	S *	11/2016	Chung	D7/354
D787,258	S *	5/2017	Chung	D7/354
D787,260	S *	5/2017	Krooshof	D7/354
D789,730	S *	6/2017	Jozancy	D7/354
2007/0028781	A1 *	2/2007	Popeil	A47J 36/10 99/407
2009/0205511	A1 *	8/2009	Tienor	A23L 5/11 99/403
2014/0318384	A1 *	10/2014	Pinel	A47J 37/1223 99/412

OTHER PUBLICATIONS

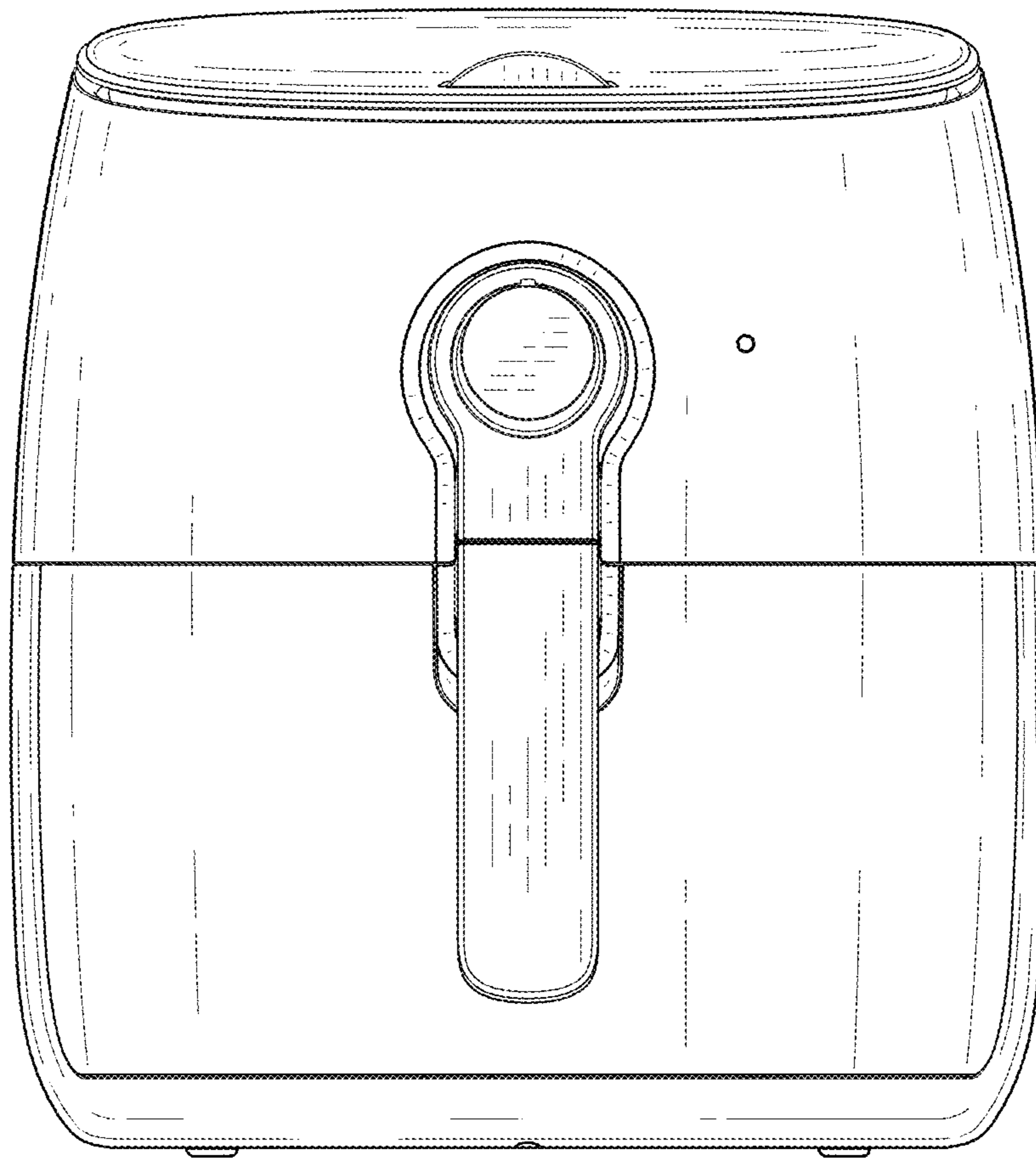
Philips HD694196 Airfryer Avance Turbo Star, by Philips, Amazon [online], date first available Apr. 6, 2017, [retrieved on Jun. 30, 2017]. Retrieved from the Internet <URL: https://www.amazon.com/Philips-HD9641-96-Airfryer-Avance/dp/B06Y39KPZ4/ref=sr_1_4?ie=UTF8&qid=1498793359&sr=8-4&keywords=philips+fryer>.*

Philips HD962196 Viva Turbo Star, by Philips, Amazon [online], date first available Apr. 20, 2017, [retrieved on Jun. 30, 2017]. Retrieved from the Internet <URL: https://www.amazon.com/Philips-HD9621-96-Turbo-fryer/dp/B01N6NYF0B/ref=sr_1_12?ie=UTF8&qid=1498793359&sr=8-12&keywords=philips+fryer>.*

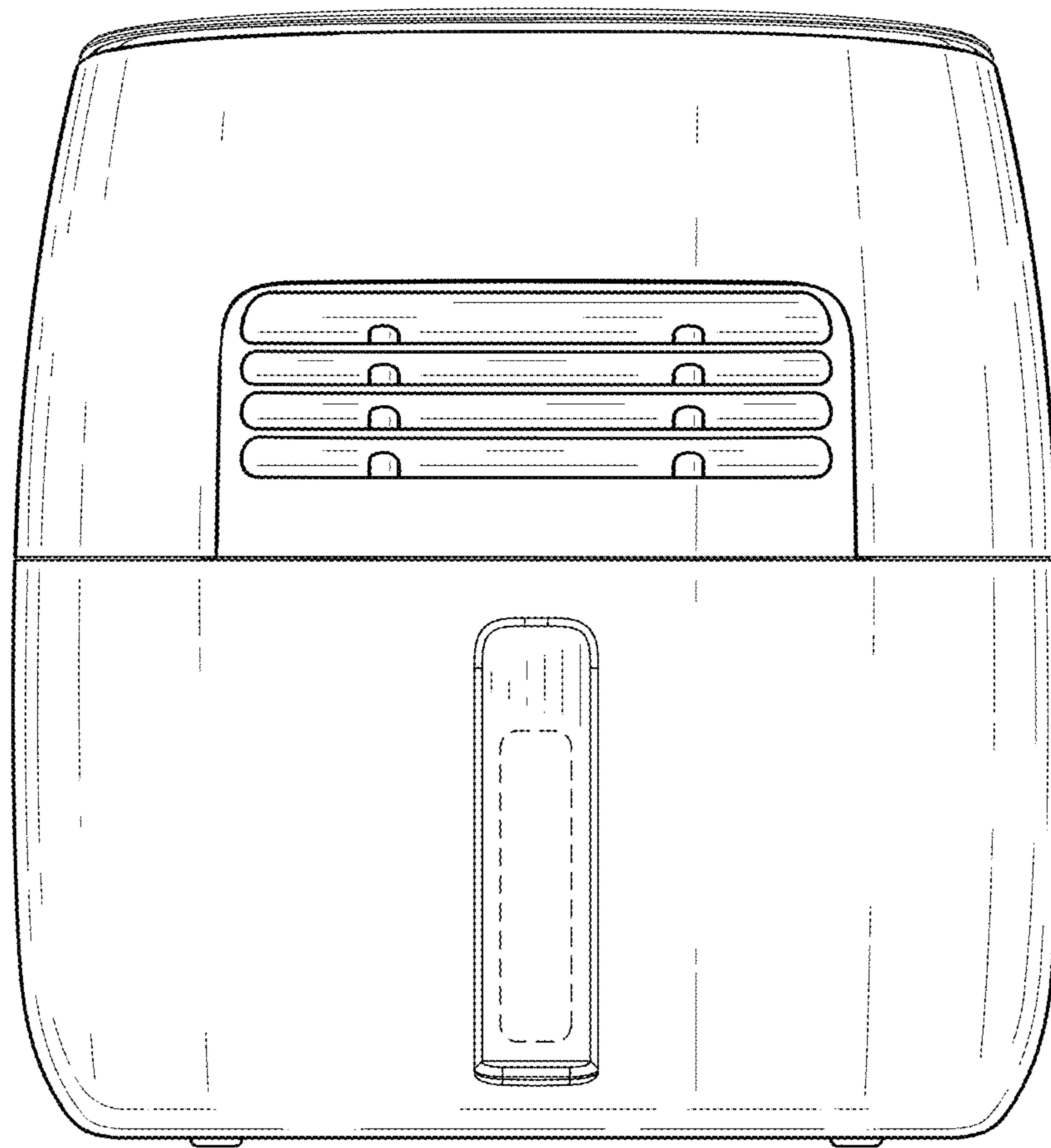
* cited by examiner



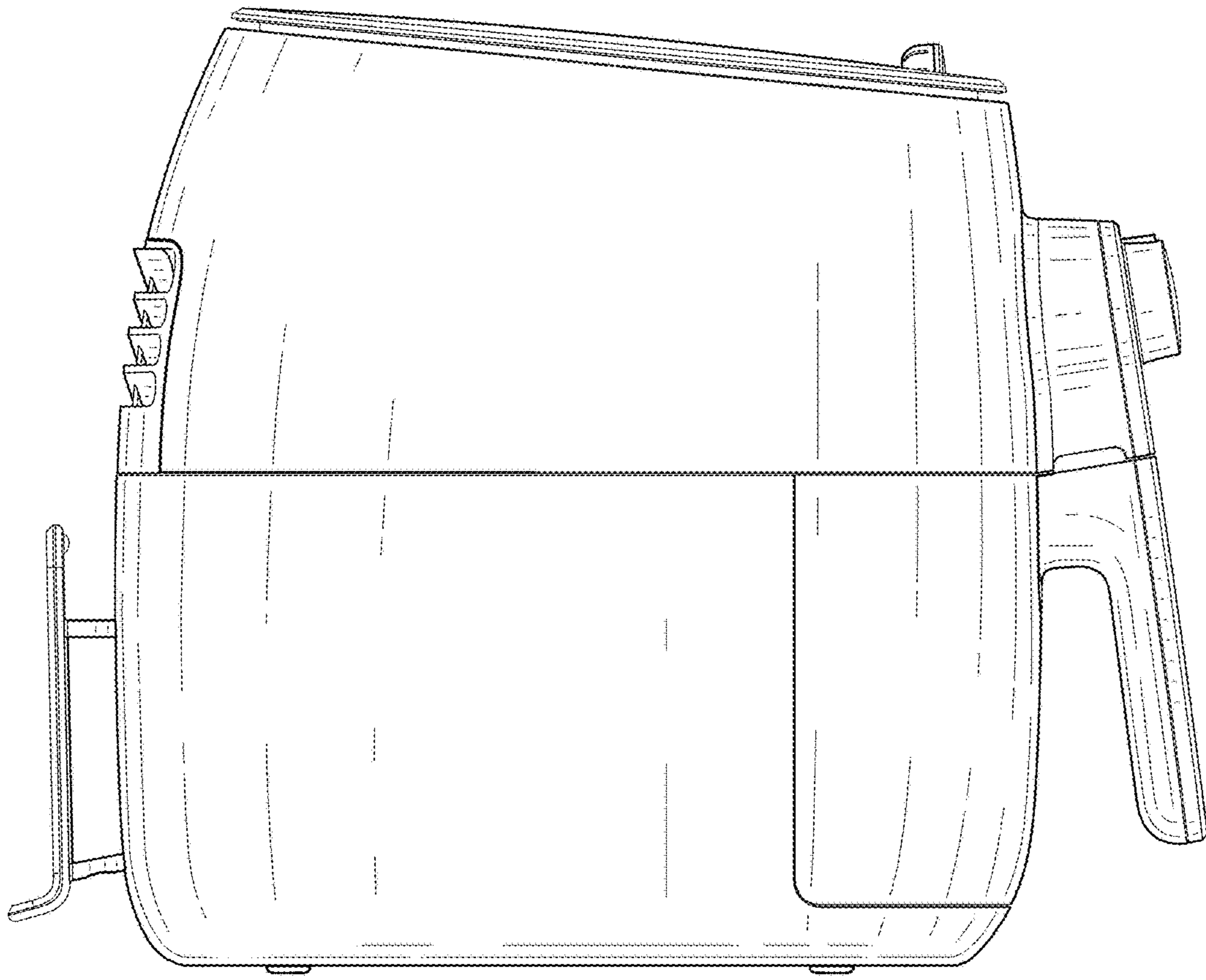
1.1



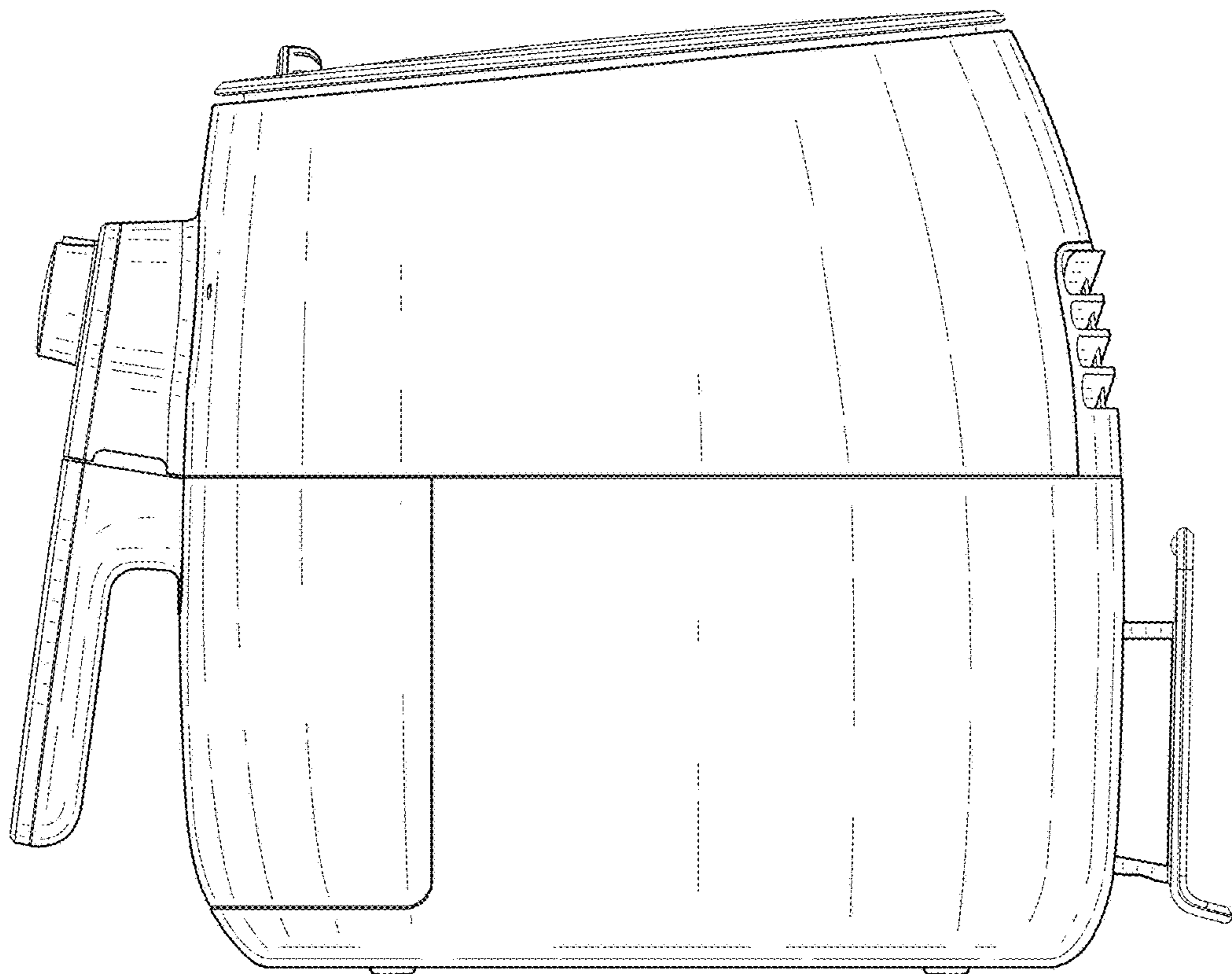
1.2



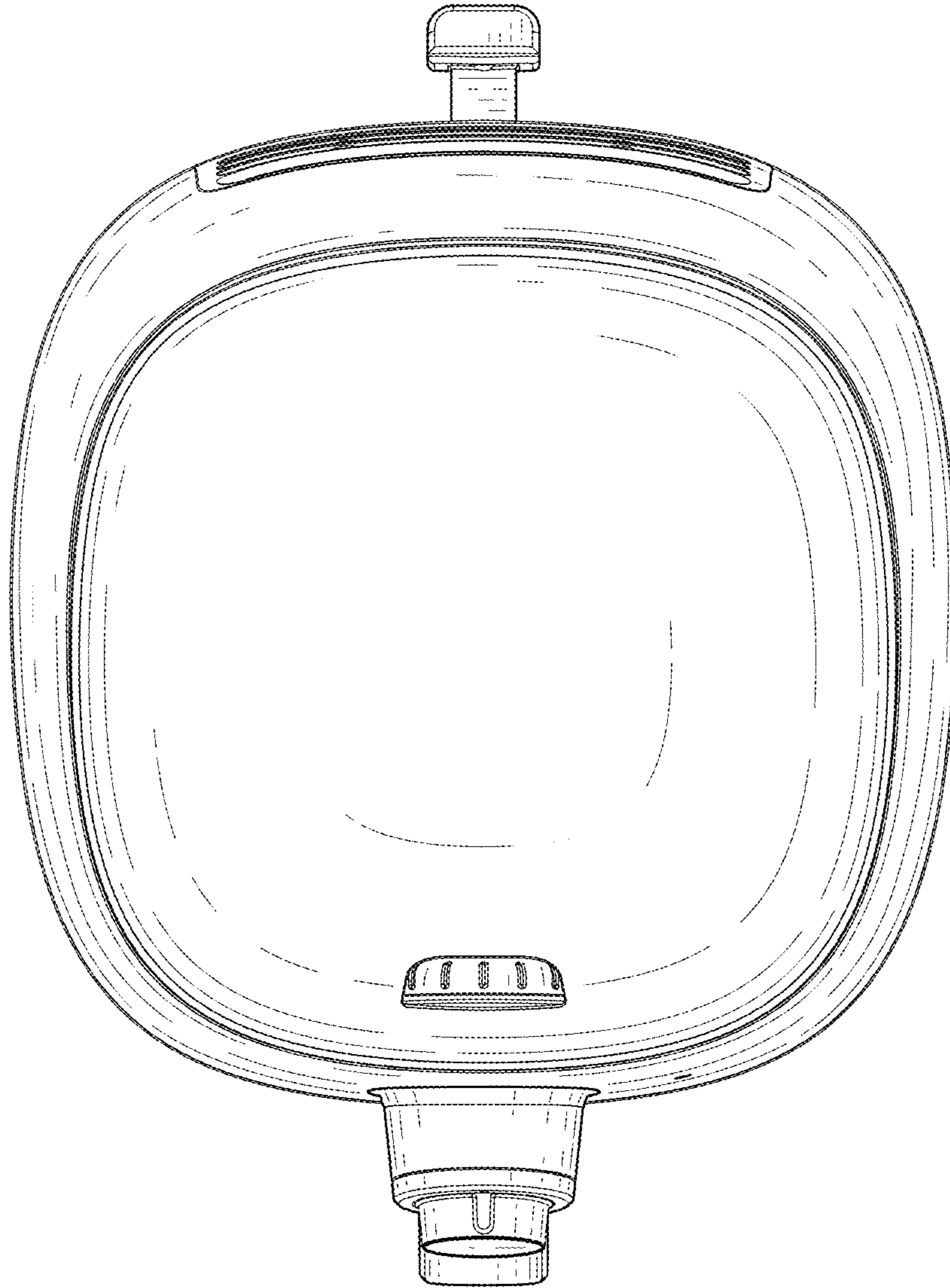
1.3



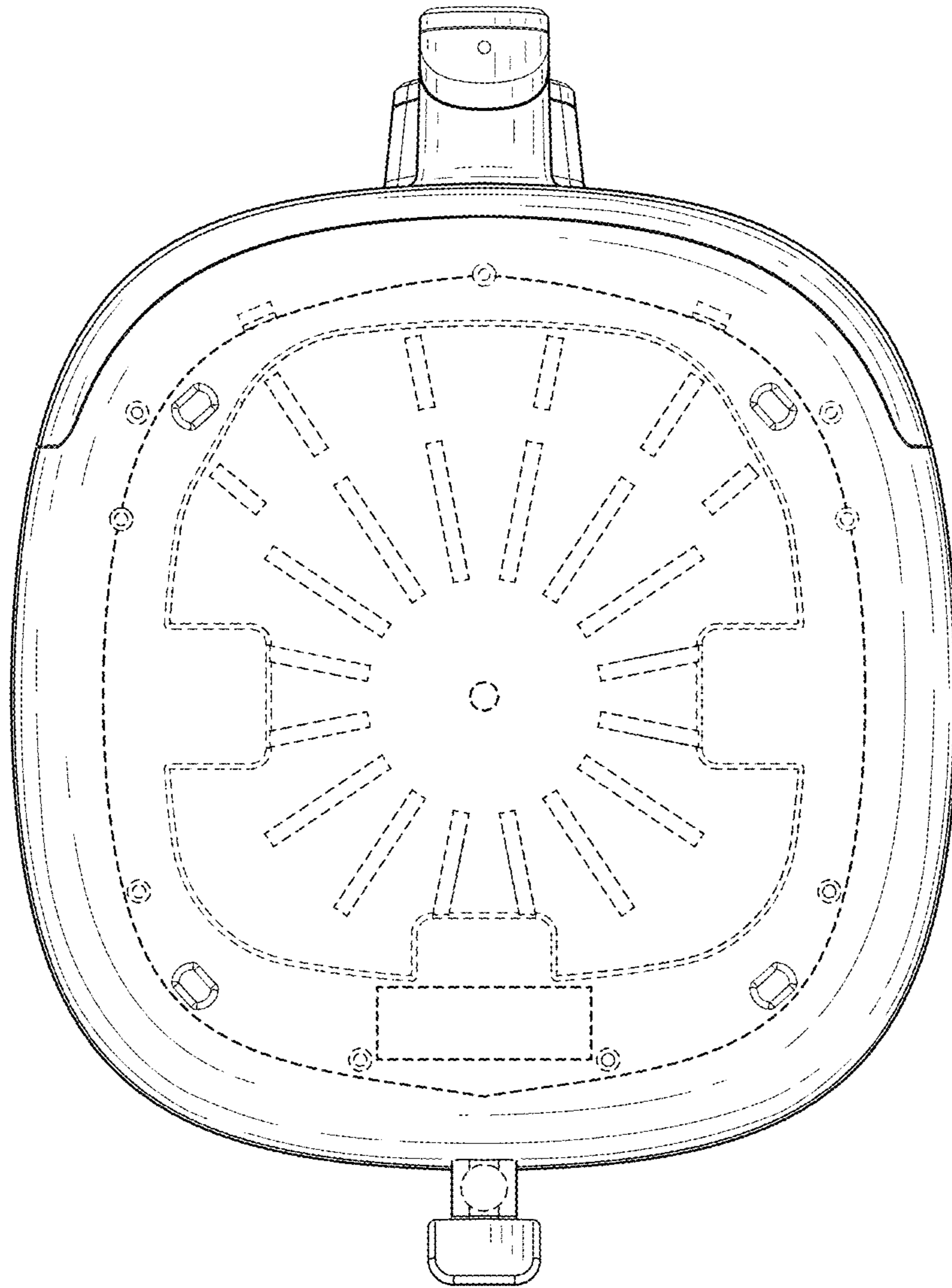
1.4



1.5



1.6



1.7