



US00D816387S

(12) **United States Design Patent**  
**Mirchandani et al.**

(10) **Patent No.:** **US D816,387 S**

(45) **Date of Patent:** **\*\* May 1, 2018**

(54) **COOKING APPARATUS**

(71) Applicant: **Tristar Products, Inc.**, Fairfield, NJ (US)

(72) Inventors: **Keith Mirchandani**, Fairfield, NJ (US);  
**Paul McGrath**, Flanders, NJ (US);  
**James Mitrik**, Long Pond, PA (US);  
**Alejandro G. Lozano**, Guttenberg, NJ (US)

(73) Assignee: **Tristar Products, Inc.**, Fairfield, NJ (US)

(\*\*) Term: **15 Years**

(21) Appl. No.: **29/595,957**

(22) Filed: **Mar. 3, 2017**

(51) **LOC (11) Cl.** ..... **07-02**

(52) **U.S. Cl.**  
USPC ..... **D7/354**

(58) **Field of Classification Search**  
USPC ..... D3/304; D7/323, 354–361, 391, 543,  
D7/545, 549, 550.1, 553.1–553.8,  
D7/554.1–554.4, 555, 584, 586, 602, 629;  
D9/425, 430–433, 455–456, 730, 737,  
D9/756–762  
CPC .... A21B 3/00; A21B 3/13; A21B 3/15; A21B  
3/134; A21B 5/00; A21B 5/02; A47J  
36/022; A47J 36/025; A47J 36/027; A47J  
37/00; A47J 37/04; A47J 45/062; B29C  
45/14; B65D 1/22; B65D 1/24; B65D  
1/34; B65D 1/36; B65D 77/2056; B65D  
81/343; B65D 85/36

See application file for complete search history.

(56) **References Cited**

**U.S. PATENT DOCUMENTS**

1,671,450 A 5/1928 Ross  
3,765,595 A \* 10/1973 Bernhardt ..... B65D 77/2056  
206/515

4,014,451 A 3/1977 Cannon et al.  
4,106,486 A 8/1978 Lee  
4,195,747 A 4/1980 Hare  
4,865,858 A 9/1989 Petcavich

(Continued)

**FOREIGN PATENT DOCUMENTS**

CA 99505 A 6/1906  
CN 203776009 U 8/2014

(Continued)

*Primary Examiner* — Ricky Pham

(74) *Attorney, Agent, or Firm* — Adler Pollock & Sheehan P.C.; Daniel J. Holmander, Esq.

(57) **CLAIM**

The ornamental design for a cooking apparatus, as shown and described.

**DESCRIPTION**

FIG. 1 is a front perspective view of a first embodiment of a cooking apparatus in accordance with the subject disclosure.

FIG. 2 is a right side view of the cooking apparatus of FIG. 1.

FIG. 3 is a left side view of the cooking apparatus of FIG. 1.

FIG. 4 is a front view of the cooking apparatus of FIG. 1.

FIG. 5 is a rear view of the cooking apparatus of FIG. 1.

FIG. 6 is a top view of the cooking apparatus of FIG. 1.

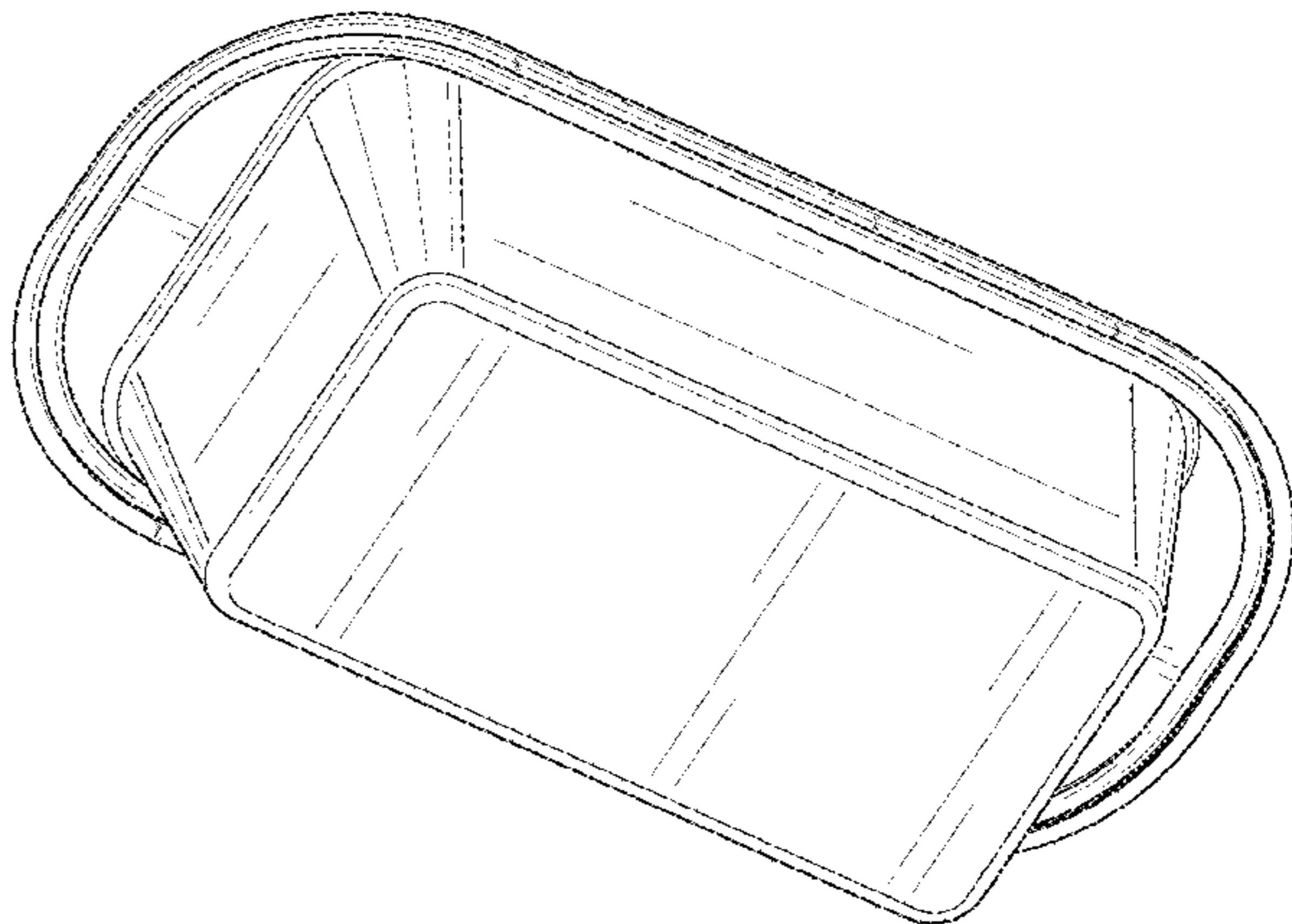
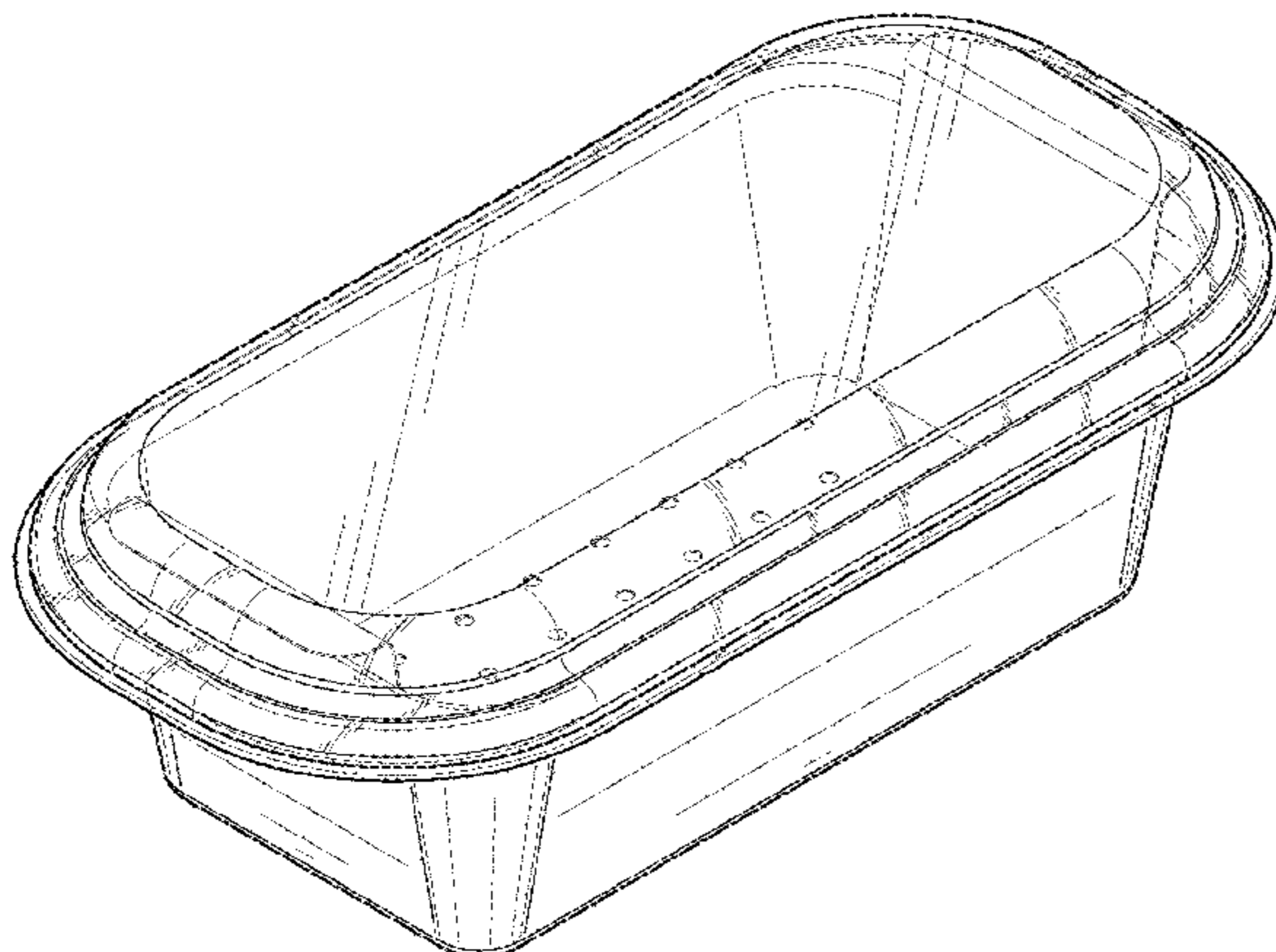
FIG. 7 is a bottom view of the cooking apparatus of FIG. 1.

FIG. 8 is a top perspective view of the cooking apparatus of FIG. 1.

FIG. 9 is a bottom perspective view of the cooking apparatus of FIG. 1; and,

FIG. 10 is a front perspective view of a second embodiment of the cooking apparatus of FIG. 1 indicating surface shading for metal.

**1 Claim, 10 Drawing Sheets**



(56)

References Cited

U.S. PATENT DOCUMENTS

D384,555 S 10/1997 Bradley  
 5,800,853 A 9/1998 Wang  
 D437,180 S 2/2001 Emrich  
 D439,159 S \* 3/2001 Chen ..... D9/425  
 D445,633 S 7/2001 Bradley  
 D466,758 S 12/2002 Bradley  
 6,546,850 B1 4/2003 Akiyama-Warren  
 D528,376 S 9/2006 Munson et al.  
 D559,621 S 1/2008 Raichlen et al.  
 D569,169 S 5/2008 Munson  
 D583,615 S \* 12/2008 Simon ..... D7/354  
 D584,112 S 1/2009 Ehrenhaus et al.  
 D588,859 S 3/2009 Simon et al.  
 D606,812 S \* 12/2009 Wu ..... D7/629  
 D615,825 S 5/2010 Curtin  
 D641,217 S 7/2011 Chen et al.  
 D644,884 S \* 9/2011 Samartgis ..... D7/602  
 D649,410 S \* 11/2011 Segal ..... D7/629  
 D664,427 S \* 7/2012 Chen ..... D9/425  
 D665,674 S \* 8/2012 Wu ..... D7/629  
 D684,733 S 6/2013 Altoon

D713,146 S \* 9/2014 Ghiorghie ..... D3/304  
 D724,903 S \* 3/2015 Chen ..... D7/629  
 D755,579 S \* 5/2016 Wu ..... D7/629  
 D777,535 S 1/2017 Zemel et al.  
 D801,104 S \* 10/2017 Mirchandani ..... D7/354  
 2005/0098046 A1 5/2005 Morgan  
 2009/0218356 A1 \* 9/2009 Colacitti ..... B29C 45/14  
 2010/0263552 A1 10/2010 Hendrickson  
 2015/0069215 A1 3/2015 Kohnen  
 2015/0250189 A1 9/2015 Marin Moro  
 220/574

FOREIGN PATENT DOCUMENTS

GB 802872 A 10/1958  
 GB 835370 A 5/1960  
 GB 2073582 A 10/1981  
 GB 2075824 A 11/1981  
 GB 2451496 A 2/2009  
 JP 2009508512 A 3/2009  
 WO WO-890210 A1 1/1989  
 WO WO-9533360 A1 12/1995  
 WO WO-2006062527 A1 6/2006

\* cited by examiner

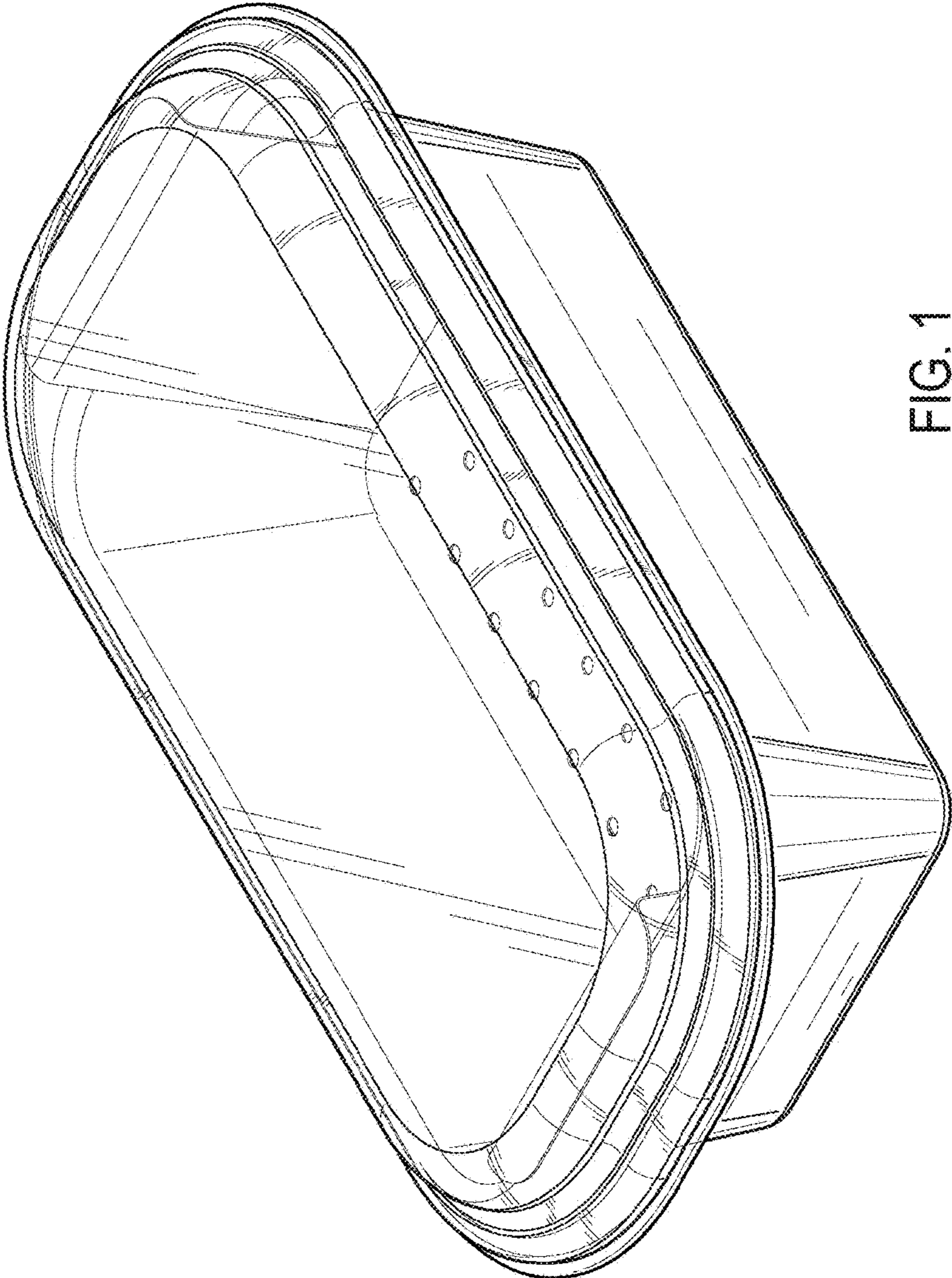


FIG. 1

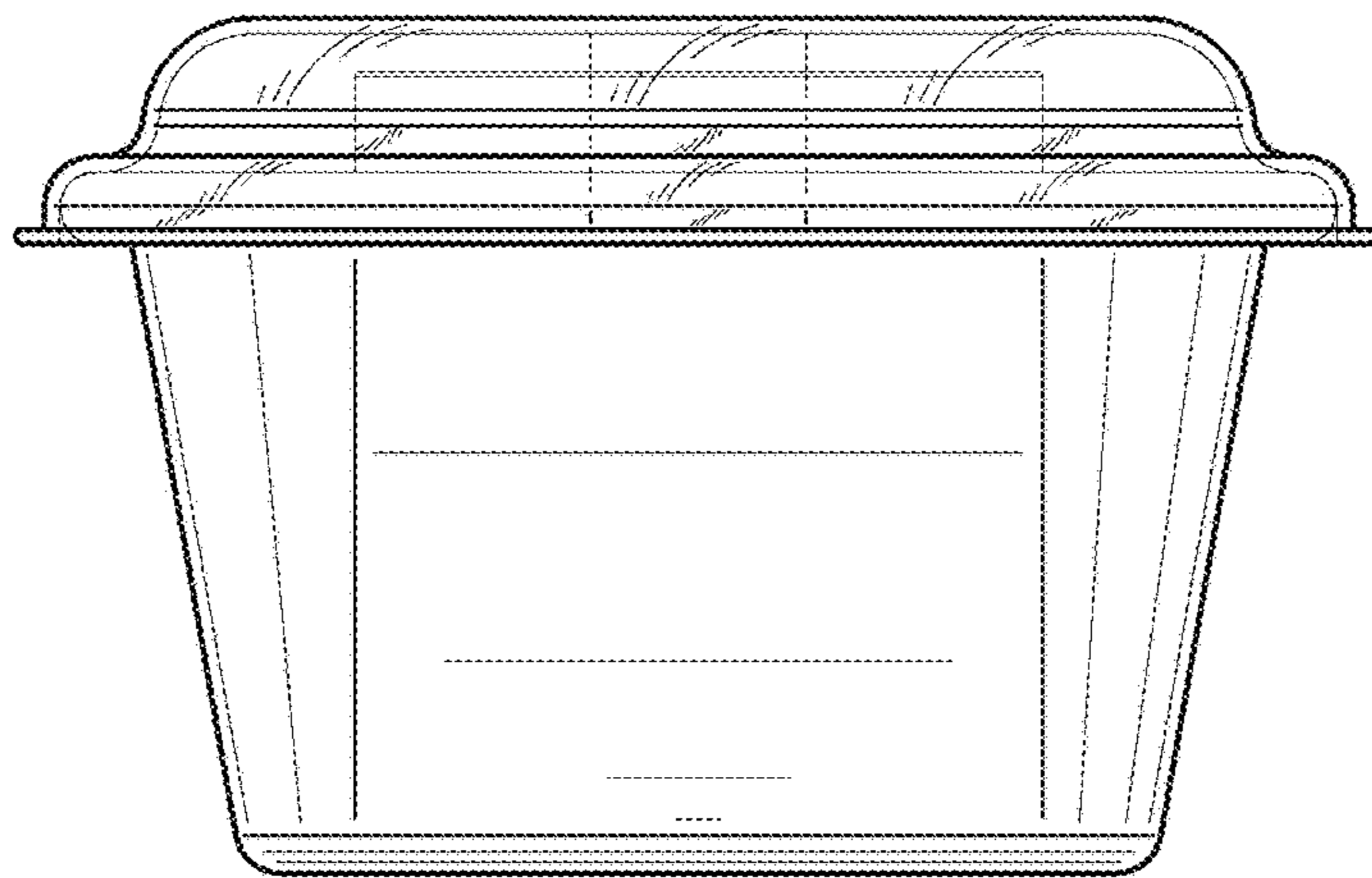


FIG. 2

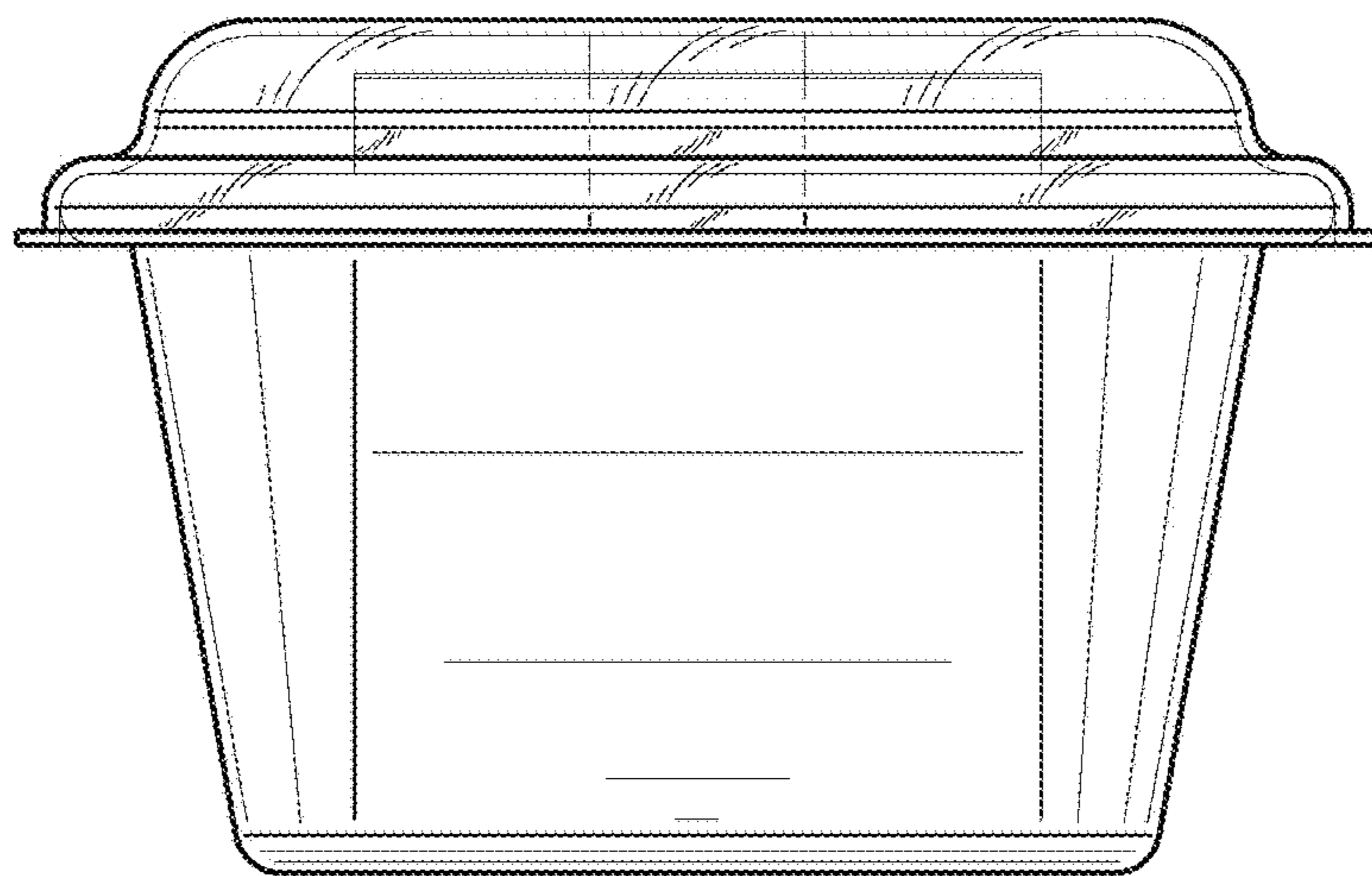


FIG. 3

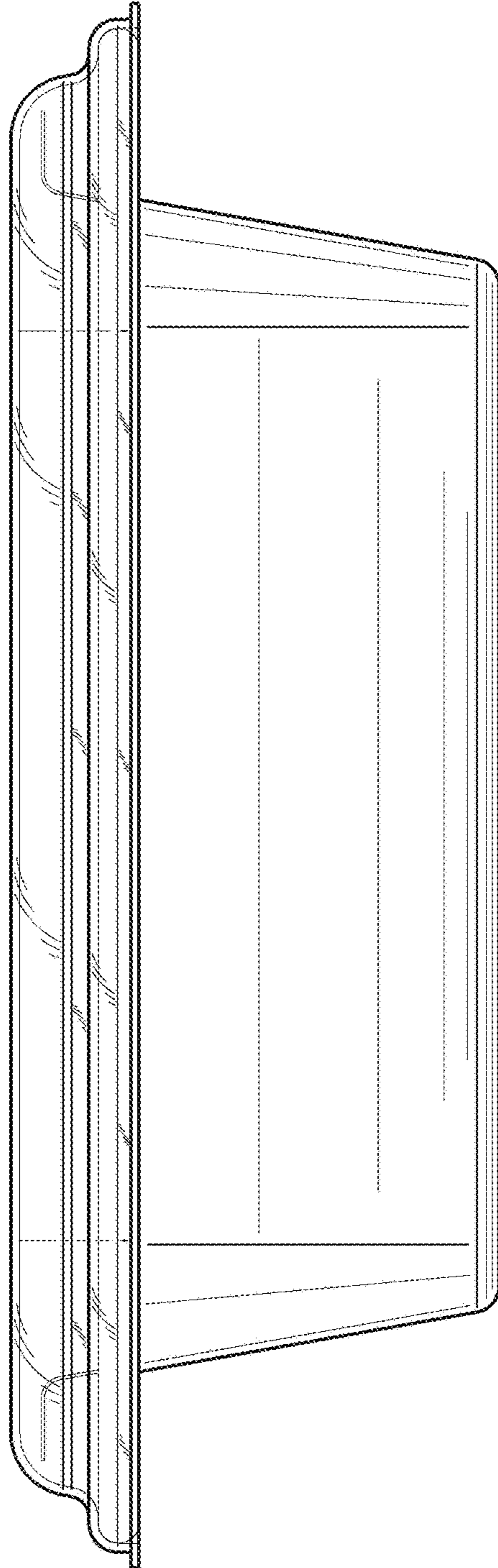


FIG. 4

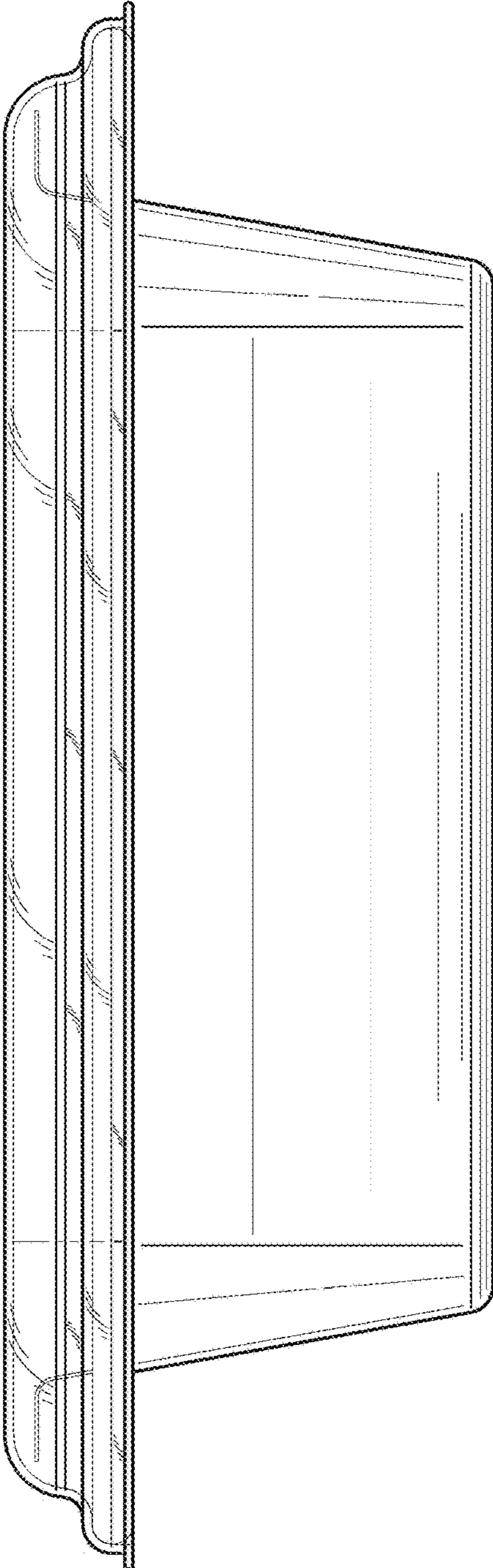


FIG. 5

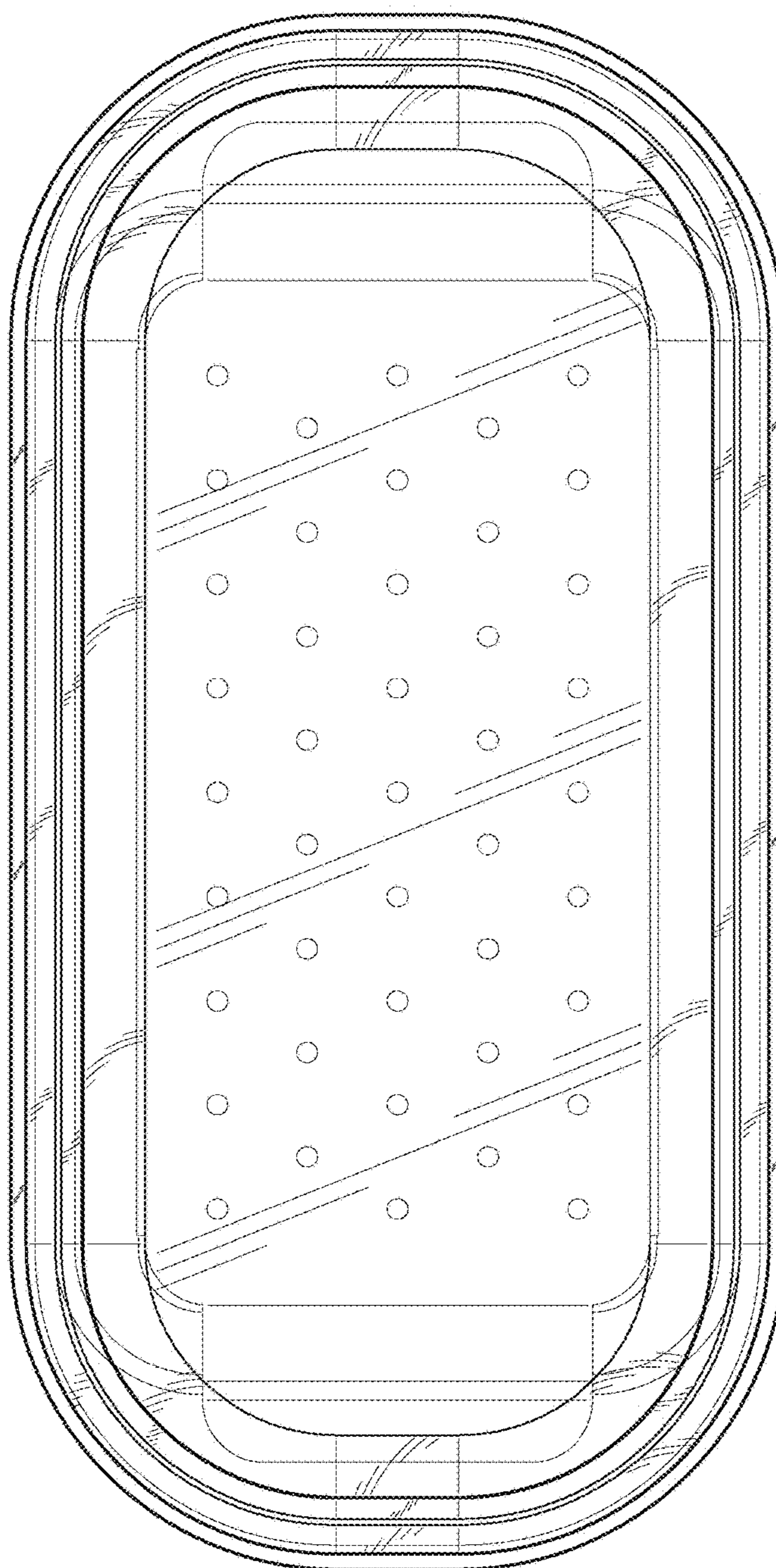


FIG. 6



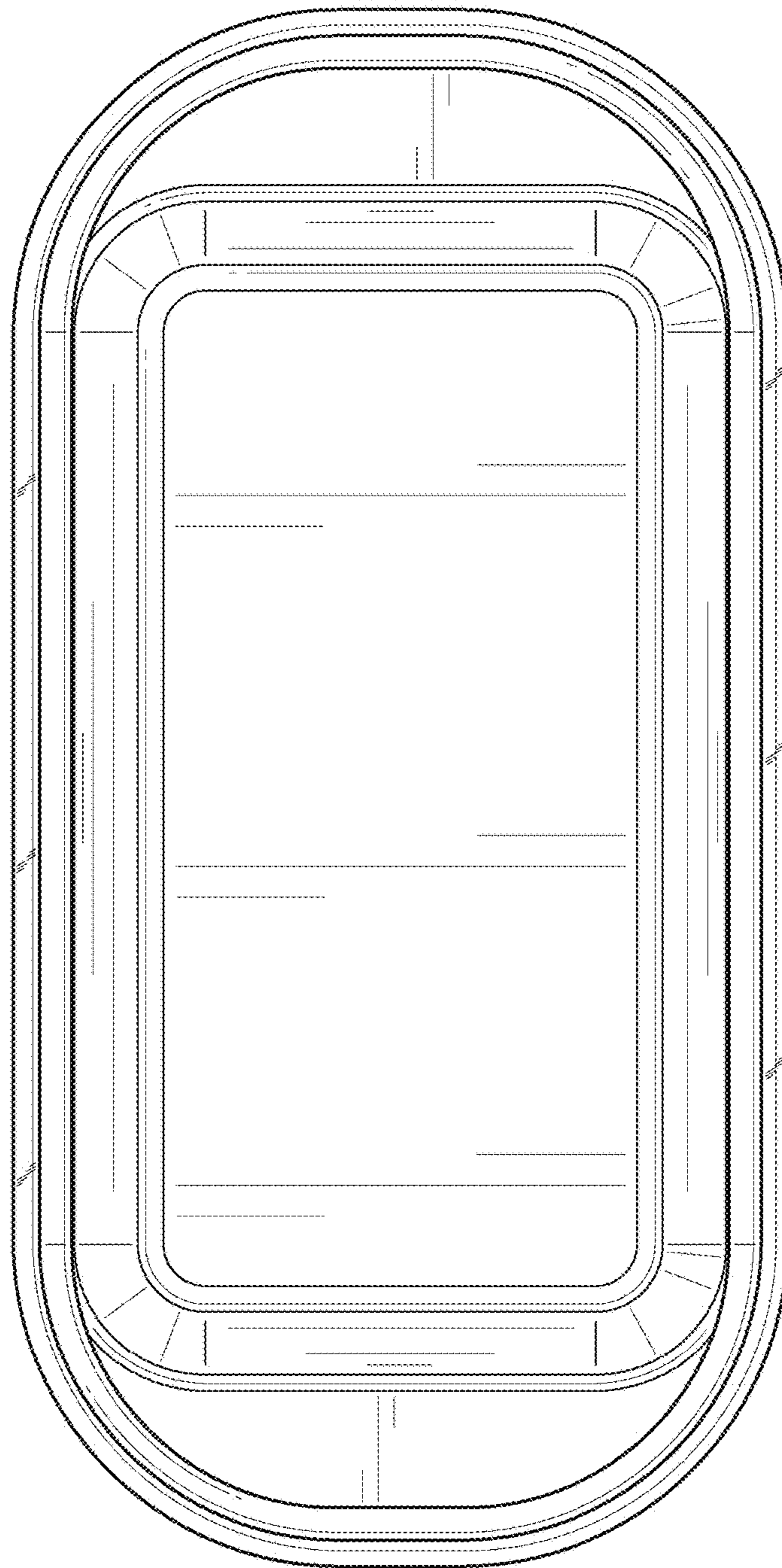


FIG. 7

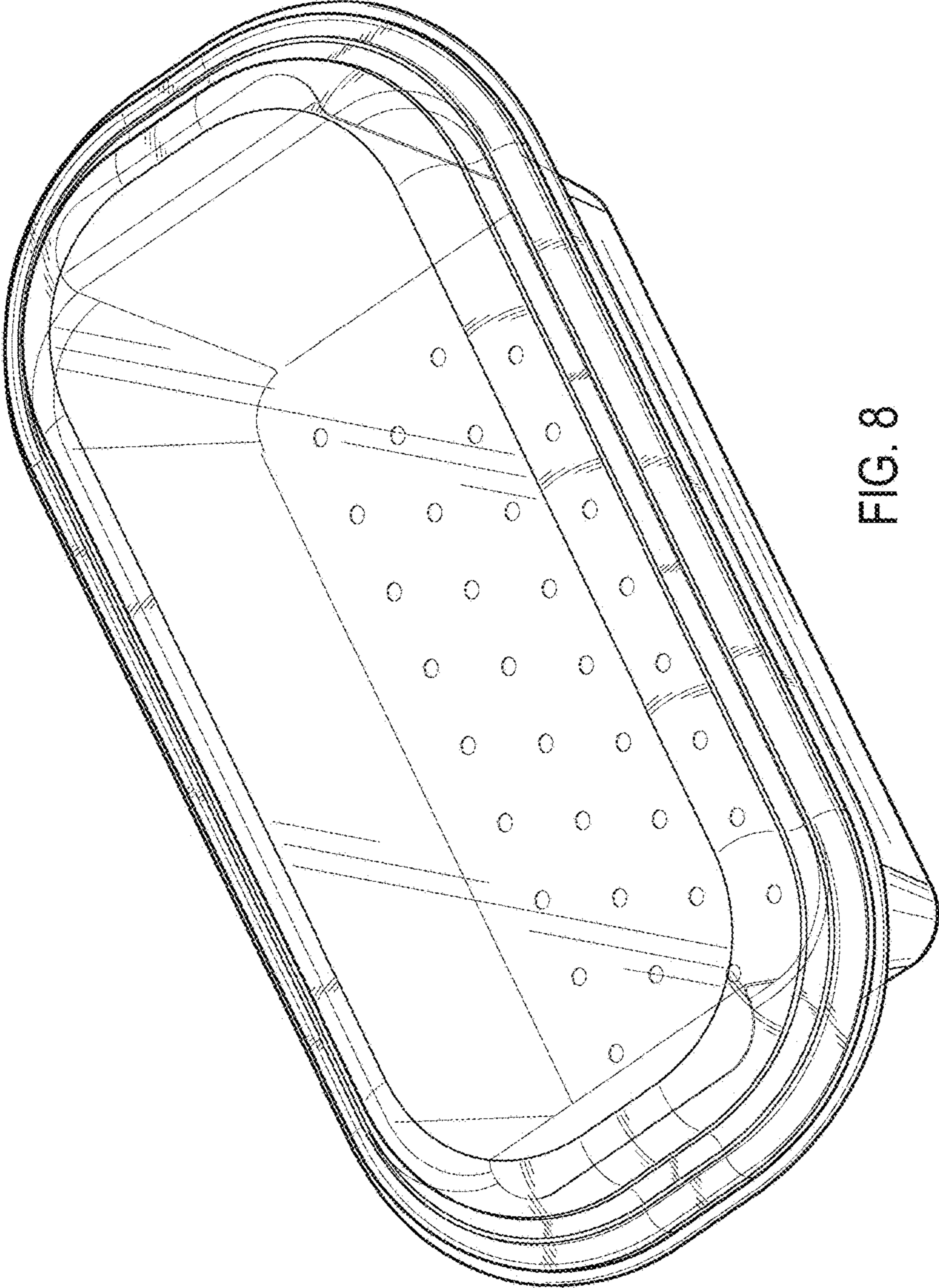


FIG. 8

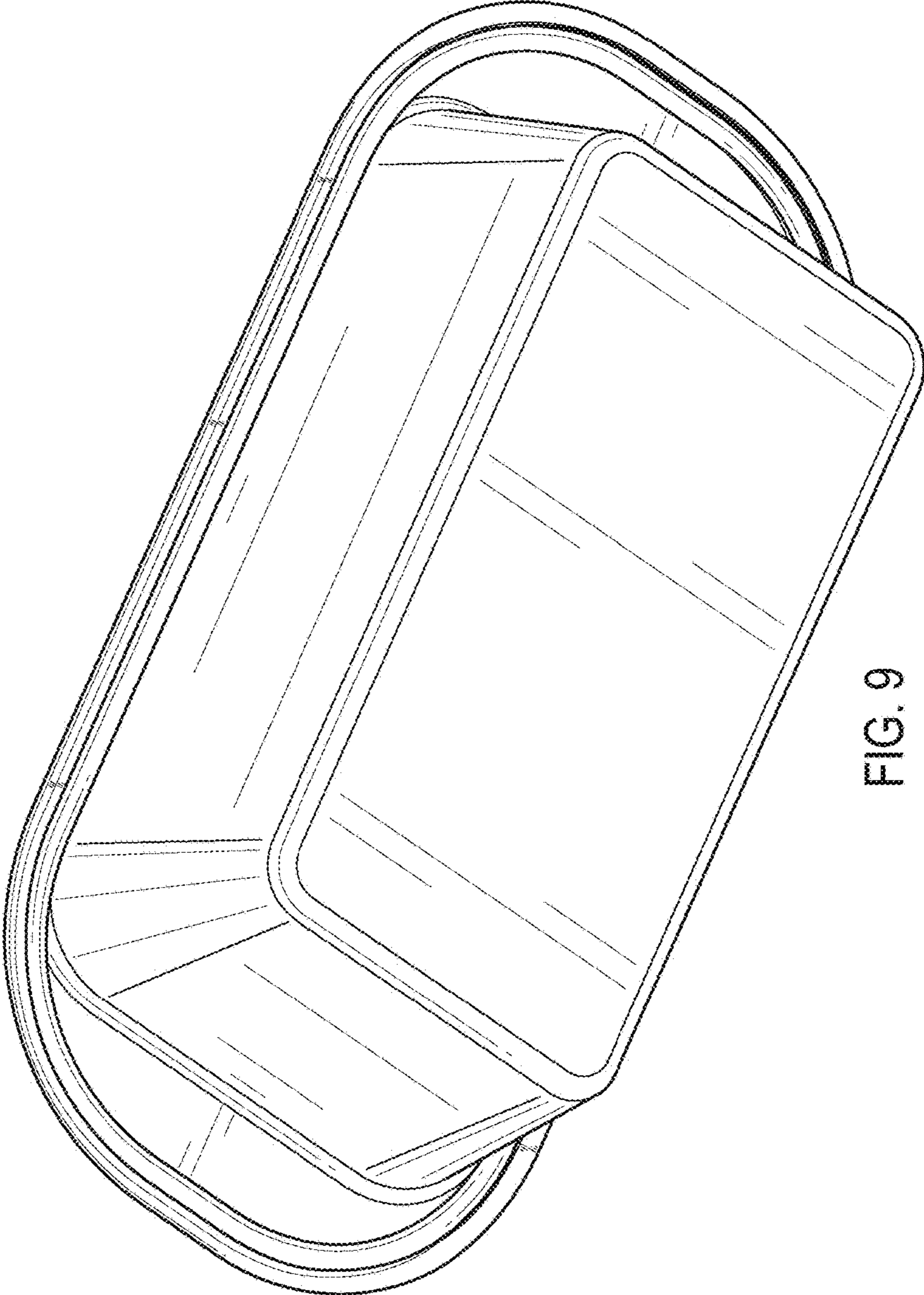


FIG. 9

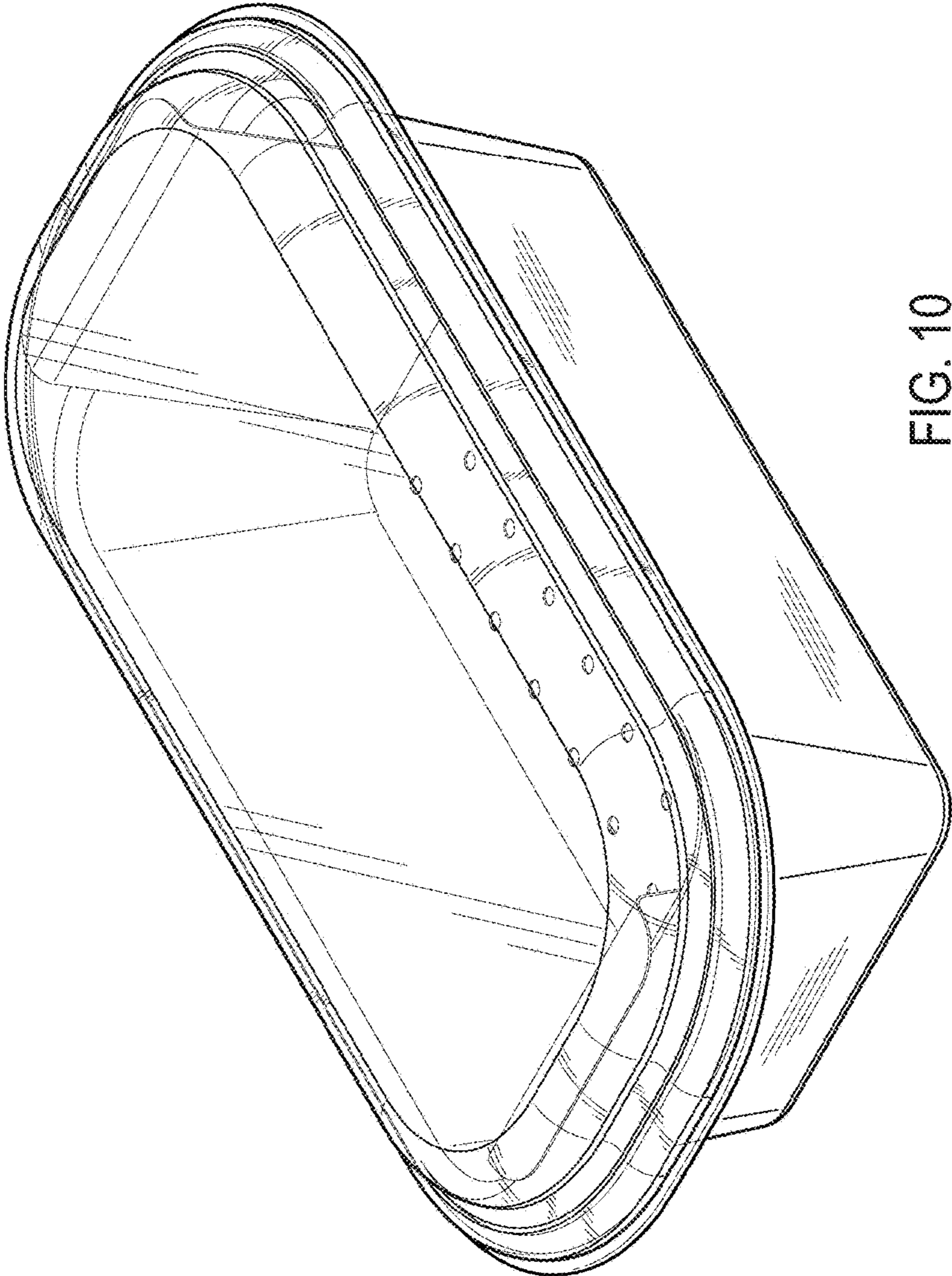


FIG. 10