



US00D816386S

(12) **United States Design Patent**
Kim et al.

(10) **Patent No.:** **US D816,386 S**
(45) **Date of Patent:** **** May 1, 2018**

(54) **GAS RANGE**

(71) Applicant: **Samsung Electronics Co., Ltd.**,
Suwon-si (KR)

(72) Inventors: **Jae-Jun Kim**, Seoul (KR); **Jae-Moon Lee**, Seoul (KR); **Hyeong-Ju Seo**, Seoul (KR); **Woo-Joo Choi**, Ahnyang-si (KR); **Jong-Su Jeon**, Seoungnam-si (KR); **Hwan-Woong Choi**, Seoul (KR)

(73) Assignee: **Samsung Electronics Co., Ltd.**,
Suwon-si (KR)

(**) Term: **15 Years**

(21) Appl. No.: **29/580,812**

(22) Filed: **Oct. 13, 2016**

(51) **LOC (11) Cl.** **07-02**

(52) **U.S. Cl.**
USPC **D7/340**

(58) **Field of Classification Search**
USPC D7/323, 328–330, 339–349, 390,
D7/402–406; D21/523–524;
D8/300–306

CPC ... A21B 2/00; A47J 37/00; A47J 37/06; A47J
37/0611; A47J 37/08; A47J 37/0807;
A47J 37/0814; A47J 37/0835; A47J
37/0842; A47J 37/085; A47J 37/0864;
A47J 37/0878; A47J 37/0885; A47J
37/0892; F24C 7/00; F24C 7/002; F24C
7/046; F24C 7/067; F24C 15/04; F24C
15/10; F24C 15/102; F24C 15/107

See application file for complete search history.

(56) **References Cited**

U.S. PATENT DOCUMENTS

D560,955 S * 2/2008 Shin D7/340
D604,987 S * 12/2009 Jung D7/348
D697,358 S * 1/2014 Kim D7/340
D736,027 S * 8/2015 Funnell, II D7/339

D736,553 S 8/2015 Funnell et al.
D755,008 S * 5/2016 Kim D7/406
D755,558 S * 5/2016 Lee D7/340
(Continued)

FOREIGN PATENT DOCUMENTS

CN 201330649444 6/2014
EM 002176206-0001 2/2014
(Continued)

OTHER PUBLICATIONS

5.8 cu. ft. Slide-in Gas Range with Fan Convection, posted at Samsung.com, posted on © 1995-2017, site visited Nov. 7, 2017, <<https://www.samsung.com/us/home-appliances/ranges/gas/5-8-cu--ft--slide-in-gas-range-with-fan-convection-nx58m9420ss-aa/>>.*

Primary Examiner — Barbara Fox

Assistant Examiner — Messina L Smith

(74) *Attorney, Agent, or Firm* — NSIP Law

(57) **CLAIM**

We claim the ornamental design for a gas range, as shown and described.

DESCRIPTION

FIG. 1 is a front perspective view of a gas range showing our new design;

FIG. 2 is a front view thereof;

FIG. 3 is a rear view thereof;

FIG. 4 is a left-side view thereof;

FIG. 5 is a right-side view thereof;

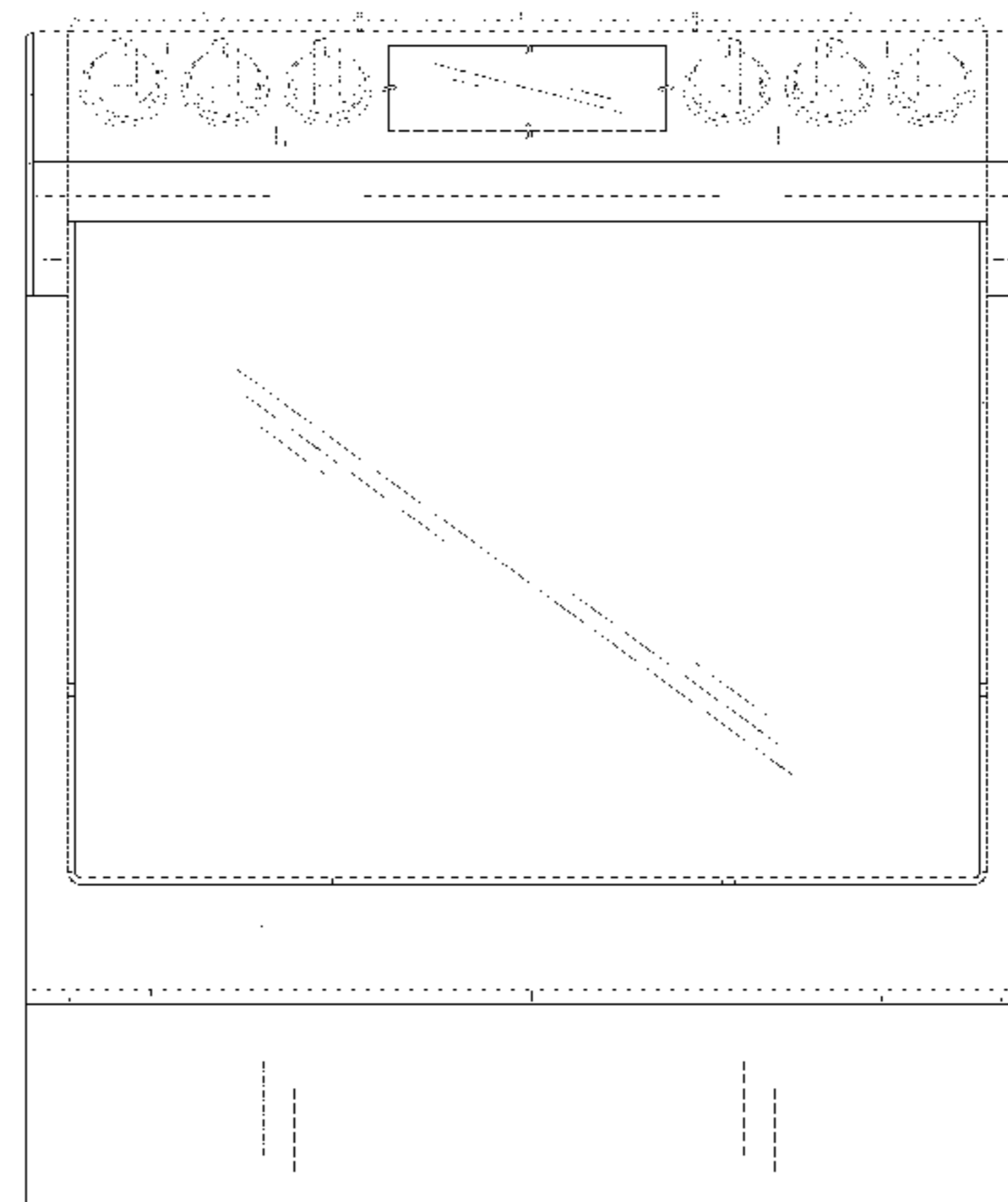
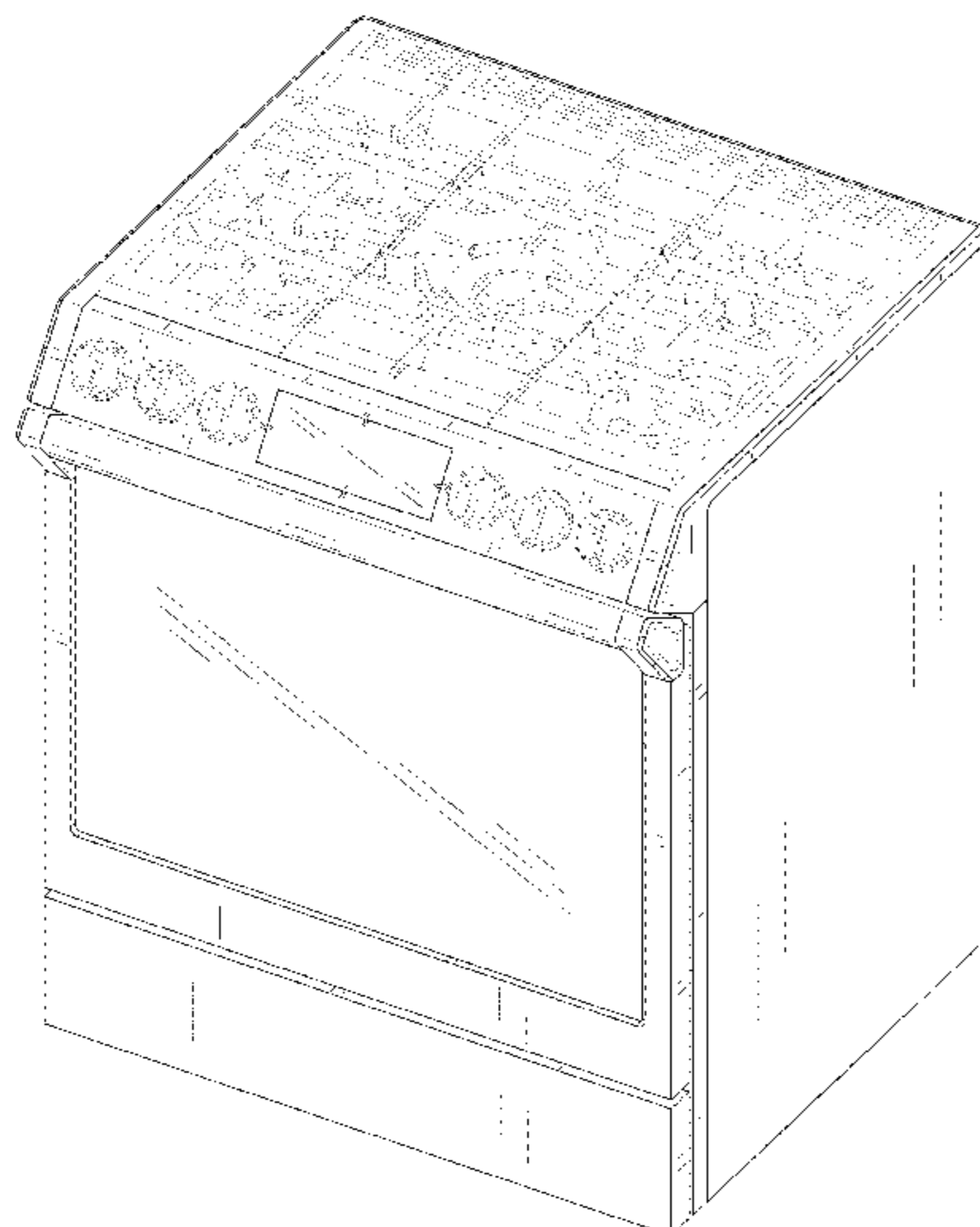
FIG. 6 is a top view thereof; and,

FIG. 7 is a bottom view thereof.

The broken lines in the drawings depict portions of the gas range that form no part of the claimed design.

The gas range screen is shown with symbolic breaks in its length. The appearance of any portion of the article between the break lines forms no part of the claimed design.

1 Claim, 7 Drawing Sheets



(56)

References Cited

U.S. PATENT DOCUMENTS

D781,096 S * 3/2017 Kim D7/339
D781,648 S * 3/2017 Shoemaker D7/406
D786,005 S * 5/2017 Kim D7/340
D786,608 S * 5/2017 Cho D7/339
D786,609 S * 5/2017 Cho D7/339
D787,256 S * 5/2017 Cho D7/339
D788,512 S * 6/2017 Kim D7/323
D790,273 S * 6/2017 Vergin D7/406
D793,150 S * 8/2017 Lee D7/323
2015/0292747 A1* 10/2015 Daughtridge, Jr. F24C 3/126
126/39 B
2017/0196049 A1* 7/2017 Kim H05B 6/1218

FOREIGN PATENT DOCUMENTS

KR 30-2013-0007193 12/2013
KR 30-2015-0006400 7/2015

* cited by examiner

FIG. 1

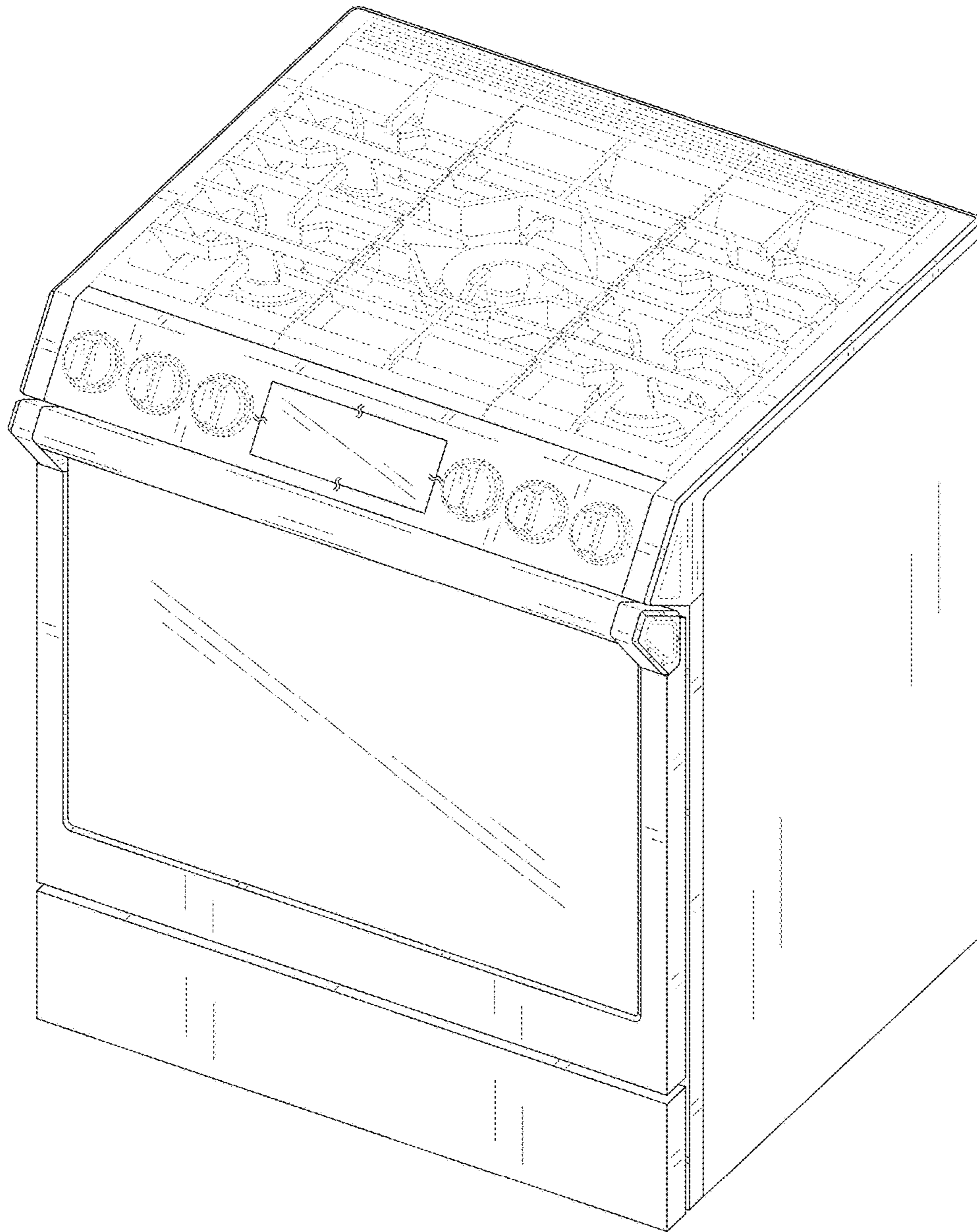


FIG. 2

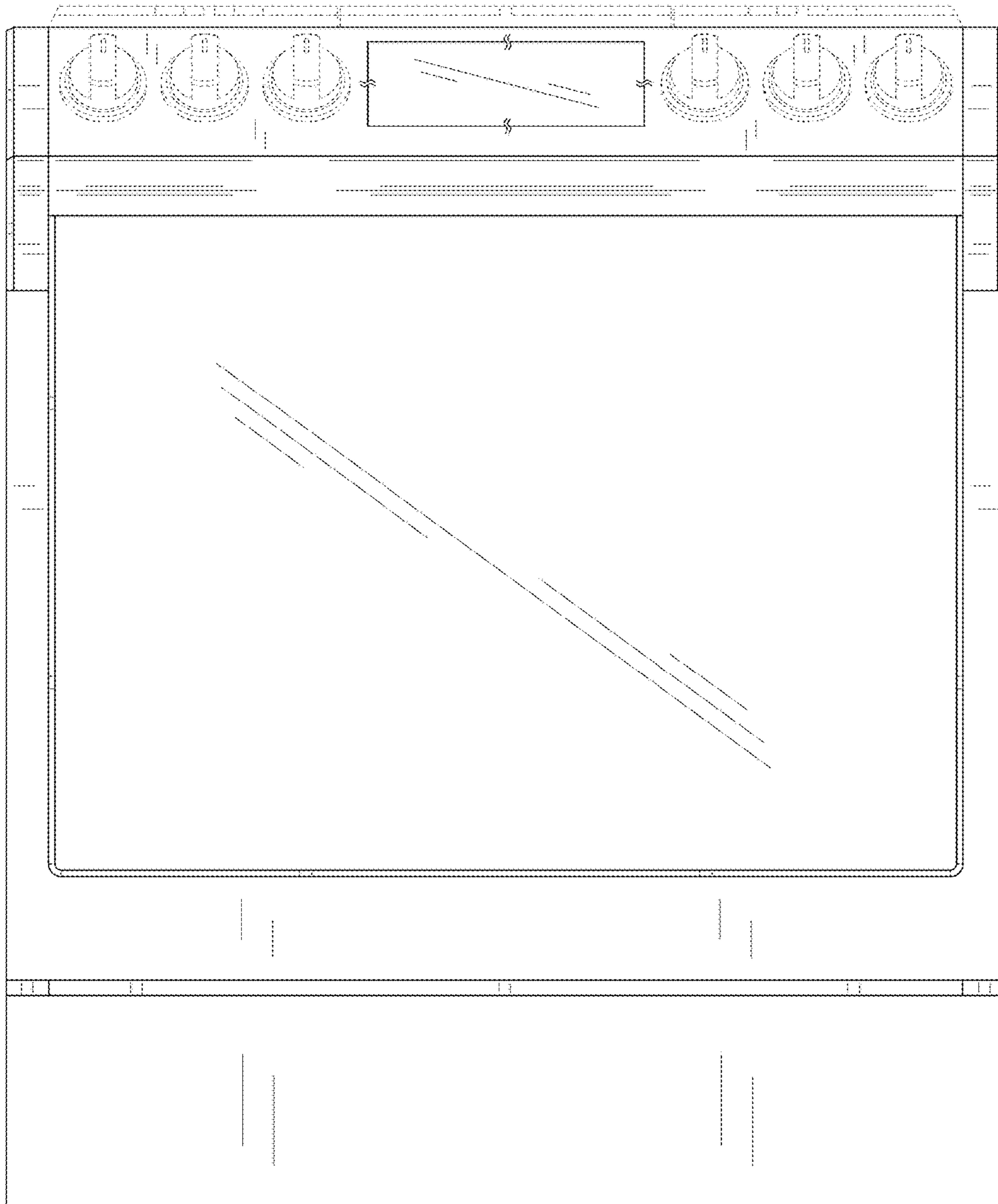


FIG. 3

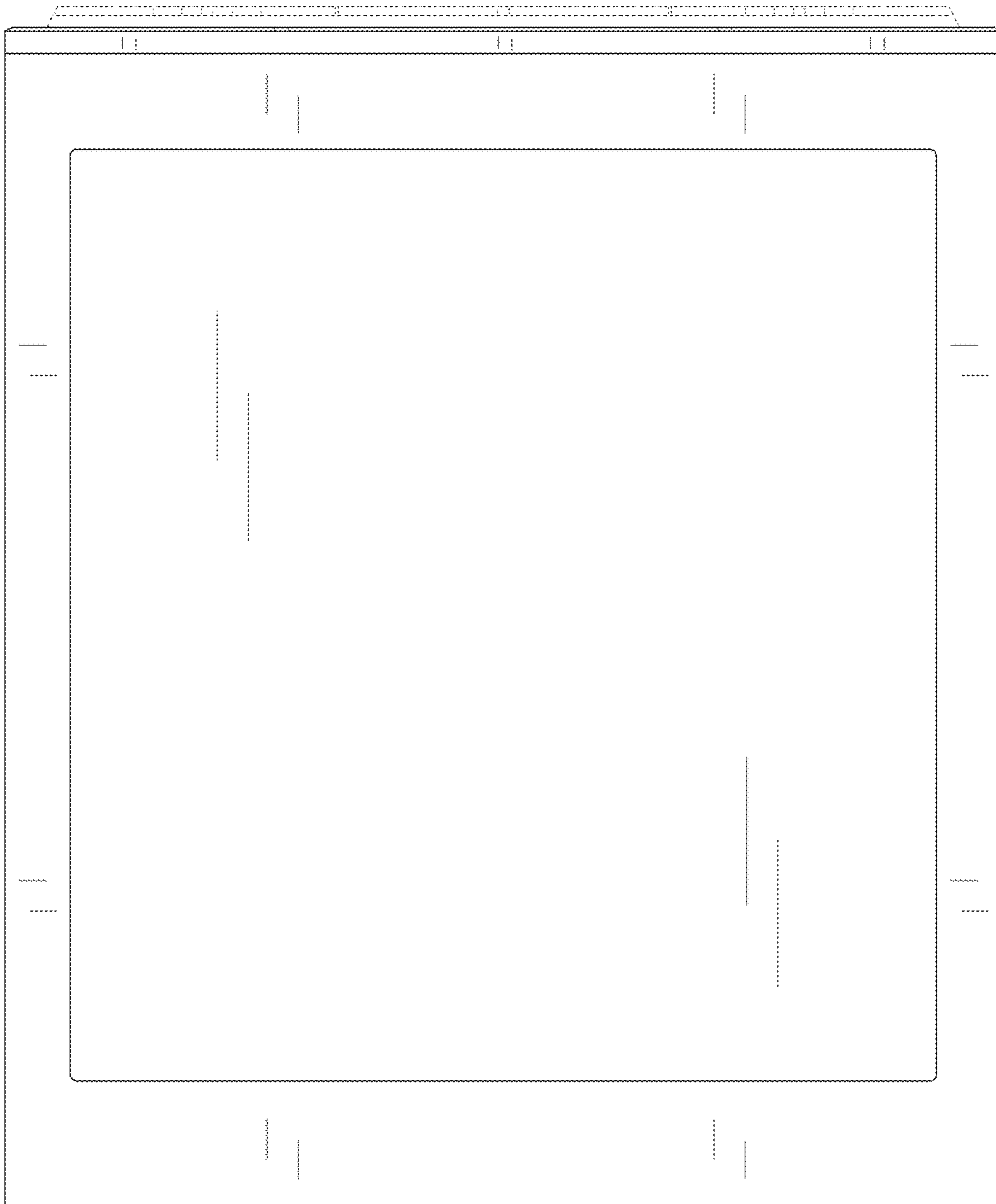


FIG. 4

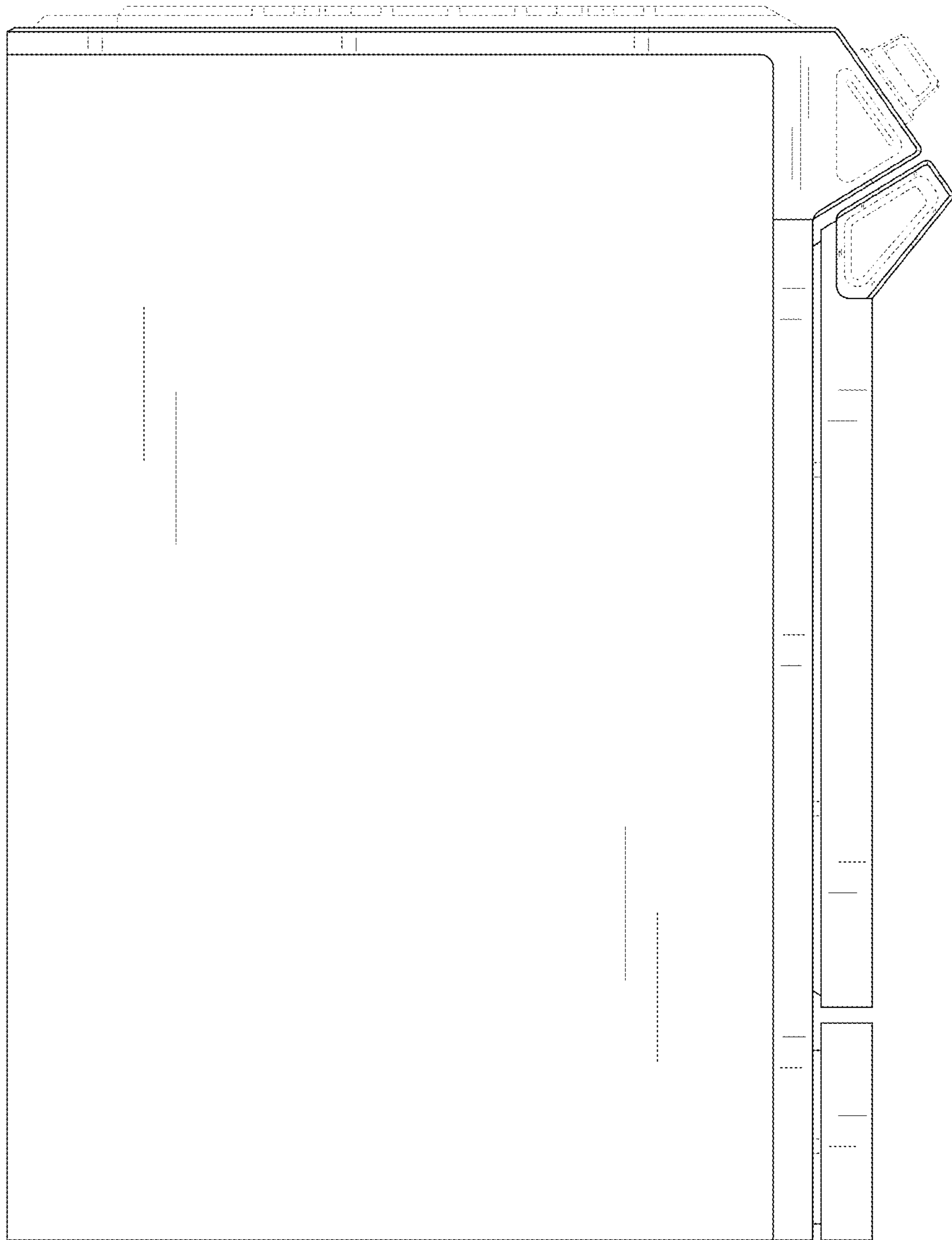


FIG. 5

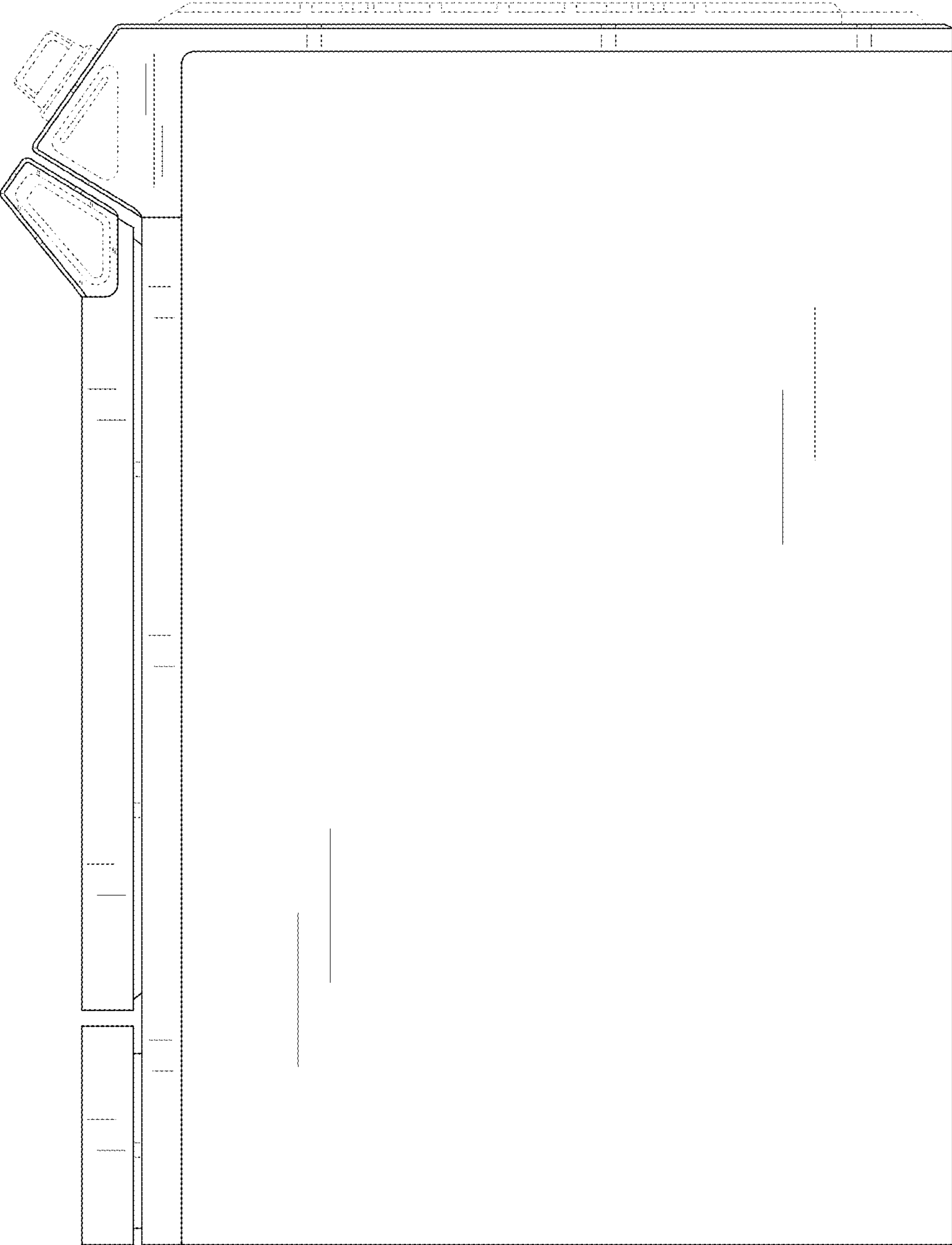


FIG. 6

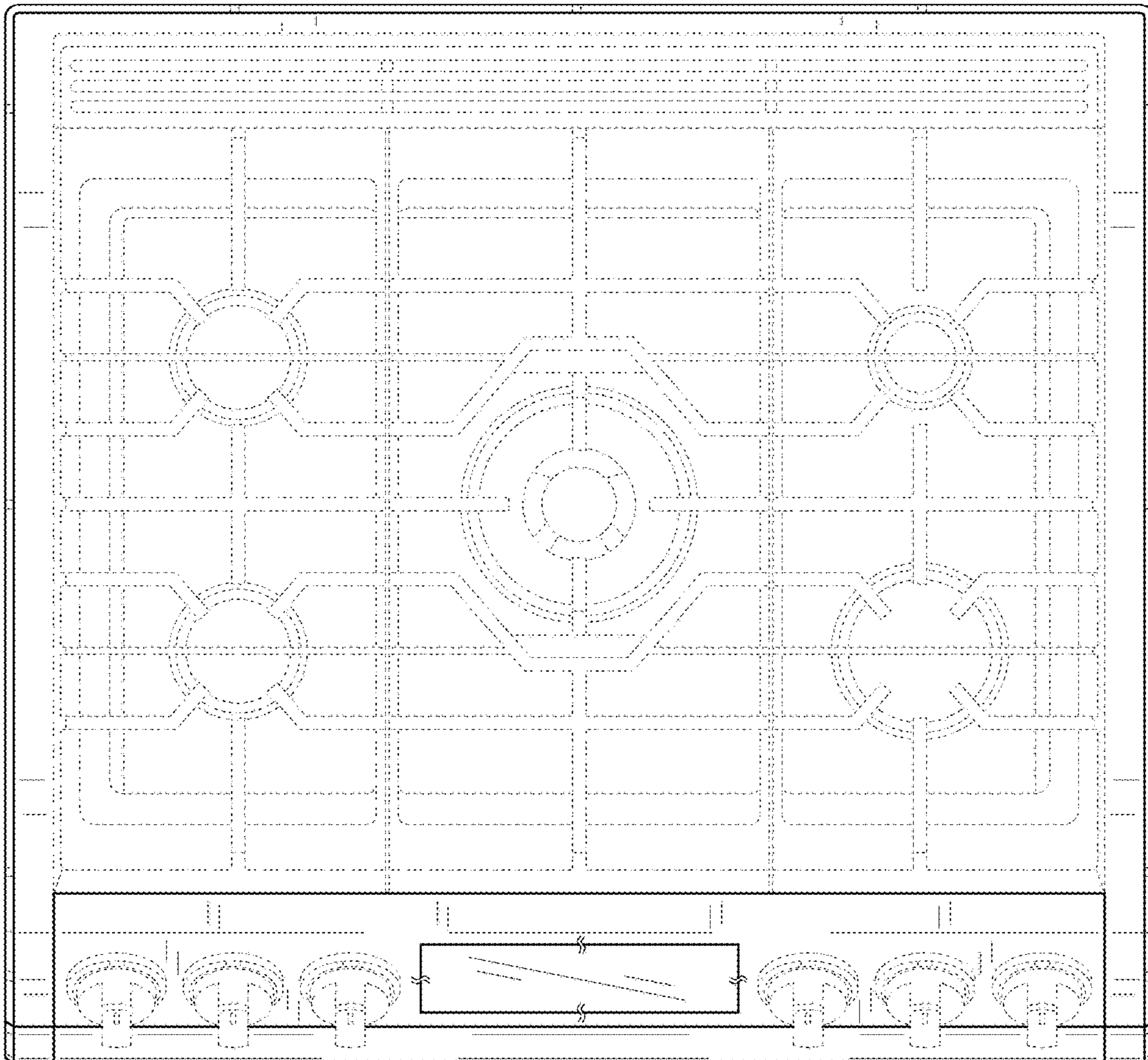


FIG. 7

