



US00D816385S

(12) **United States Design Patent** (10) **Patent No.:** **US D816,385 S**  
**Lira-Nunez et al.** (45) **Date of Patent:** **\*\* May 1, 2018**

(54) **GRILL**

(71) Applicants: **Carmen O. Lira-Nunez**, Downers Grove, IL (US); **Douglas William Masek**, Palatine, IL (US)

(72) Inventors: **Carmen O. Lira-Nunez**, Downers Grove, IL (US); **Douglas William Masek**, Palatine, IL (US)

(73) Assignee: **Weber-Stephen Products LLC**, Palatine, IL (US)

(\*\*) Term: **15 Years**

(21) Appl. No.: **29/553,090**

(22) Filed: **Jan. 28, 2016**

**Related U.S. Application Data**

(63) Continuation of application No. 29/552,652, filed on Jan. 25, 2016.

(51) **LOC (11) Cl.** ..... **07-02**

(52) **U.S. Cl.**  
USPC ..... **D7/334**

(58) **Field of Classification Search**  
USPC ..... D7/323-337, 402-407, 362, 416, 417, D7/357, 408; 126/25 R, 9 R; D23/343,  
(Continued)

(56) **References Cited**

**U.S. PATENT DOCUMENTS**

D395,378 S \* 6/1998 Schlosser ..... D7/334  
D441,254 S \* 5/2001 Pai ..... D7/403  
(Continued)

**OTHER PUBLICATIONS**

Photographs of grill manufactured in 2005 by Chinese entity Perfect Glo.

(Continued)

*Primary Examiner* — Susan Bennett Hattan

*Assistant Examiner* — Brett Miller

(74) *Attorney, Agent, or Firm* — Vitale, Vickrey, Niro & Gasey LLP

(57) **CLAIM**

The ornamental design for a grill, as shown and described in the following Figures.

**DESCRIPTION**

FIG. 1 is a perspective view of a grill of the present invention.

FIG. 2 is a front view of the grill of the present invention.

FIG. 3 is a left side view of the grill of the present invention.

FIG. 4 is a right side view of the grill of the present invention.

FIG. 5 is a top view of the grill of the present invention.

FIG. 6 is a back view of the grill of the present invention.

FIG. 7 is a bottom view of the grill of the present invention.

FIG. 8 is a perspective view of the grill with some items shown in broken line in FIG. 1 removed.

FIG. 9 is a front view of the grill with some items shown in broken line in FIG. 2 removed.

FIG. 10 is a left side view of the grill with some items shown in broken line in FIG. 3 removed.

FIG. 11 is a right side view of the grill with some items shown in broken line in FIG. 4 removed.

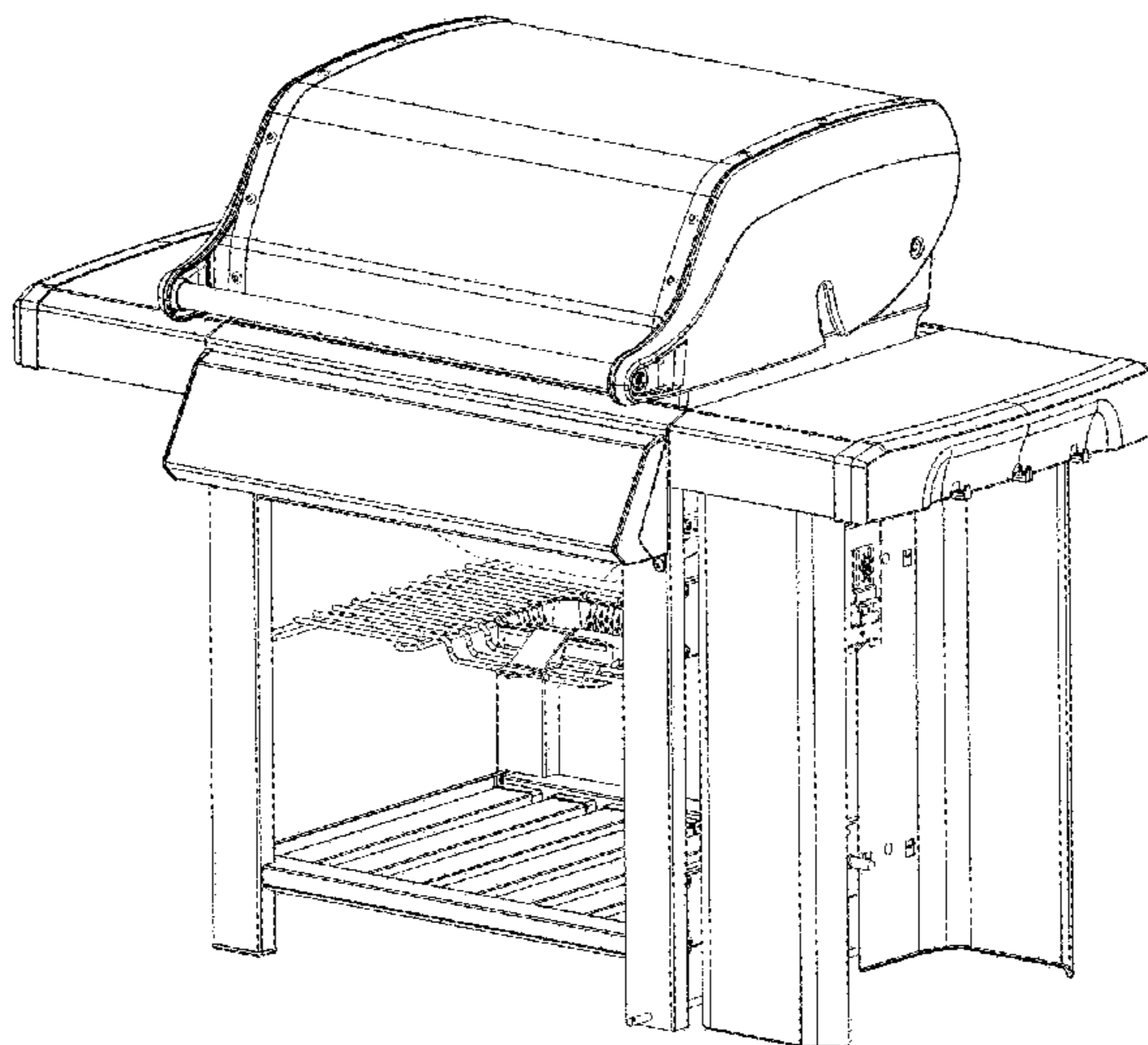
FIG. 12 is a top view of the grill with some items shown in broken line in FIG. 5 removed.

FIG. 13 is a back view of the grill with some items shown in broken line in FIG. 6 removed; and,

FIG. 14 is a bottom view of the grill with some items shown in broken line in FIG. 7 removed.

The broken lines shown in the Figures depict environment and form no part of the claimed design.

**1 Claim, 12 Drawing Sheets**





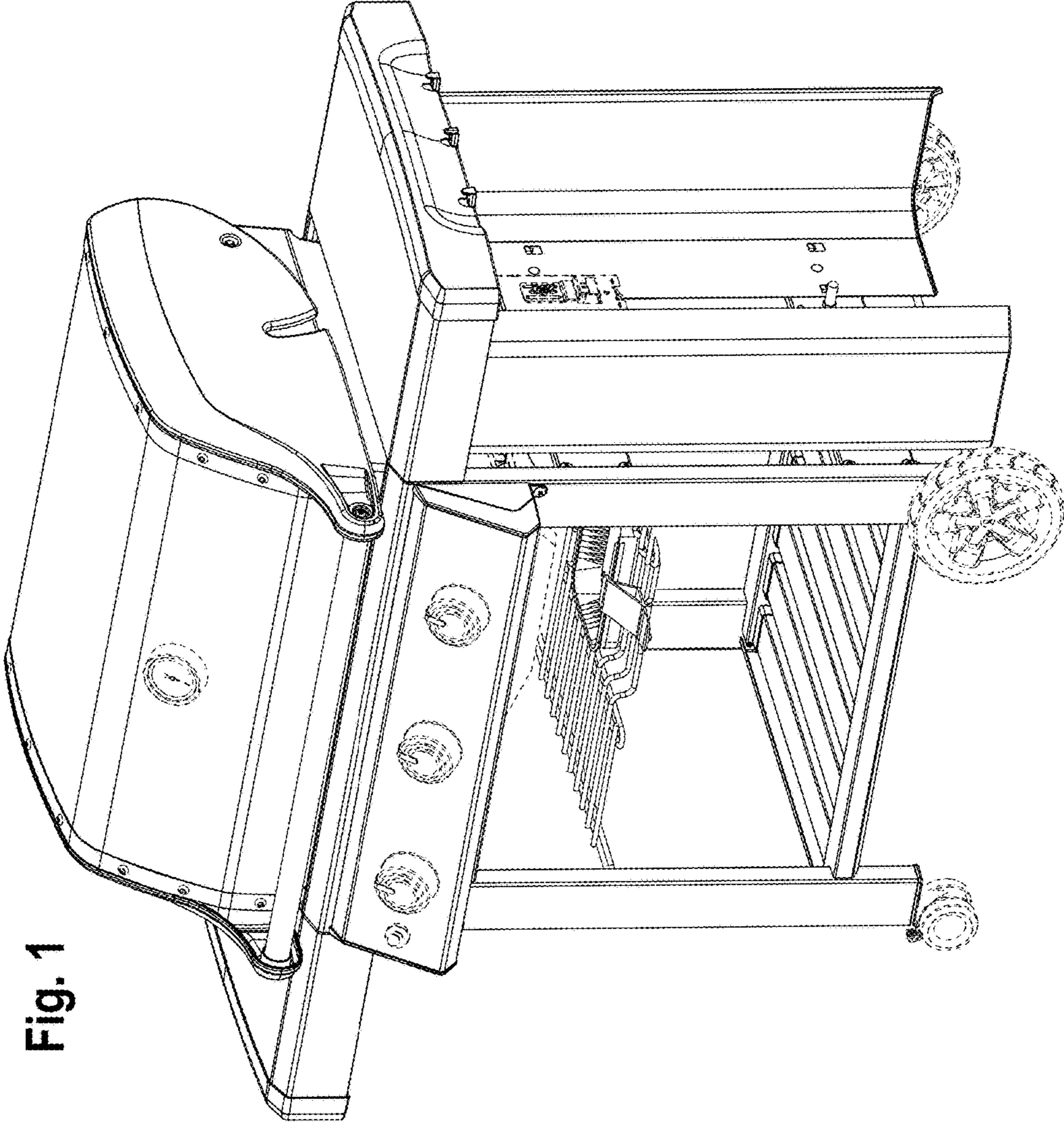


Fig. 1

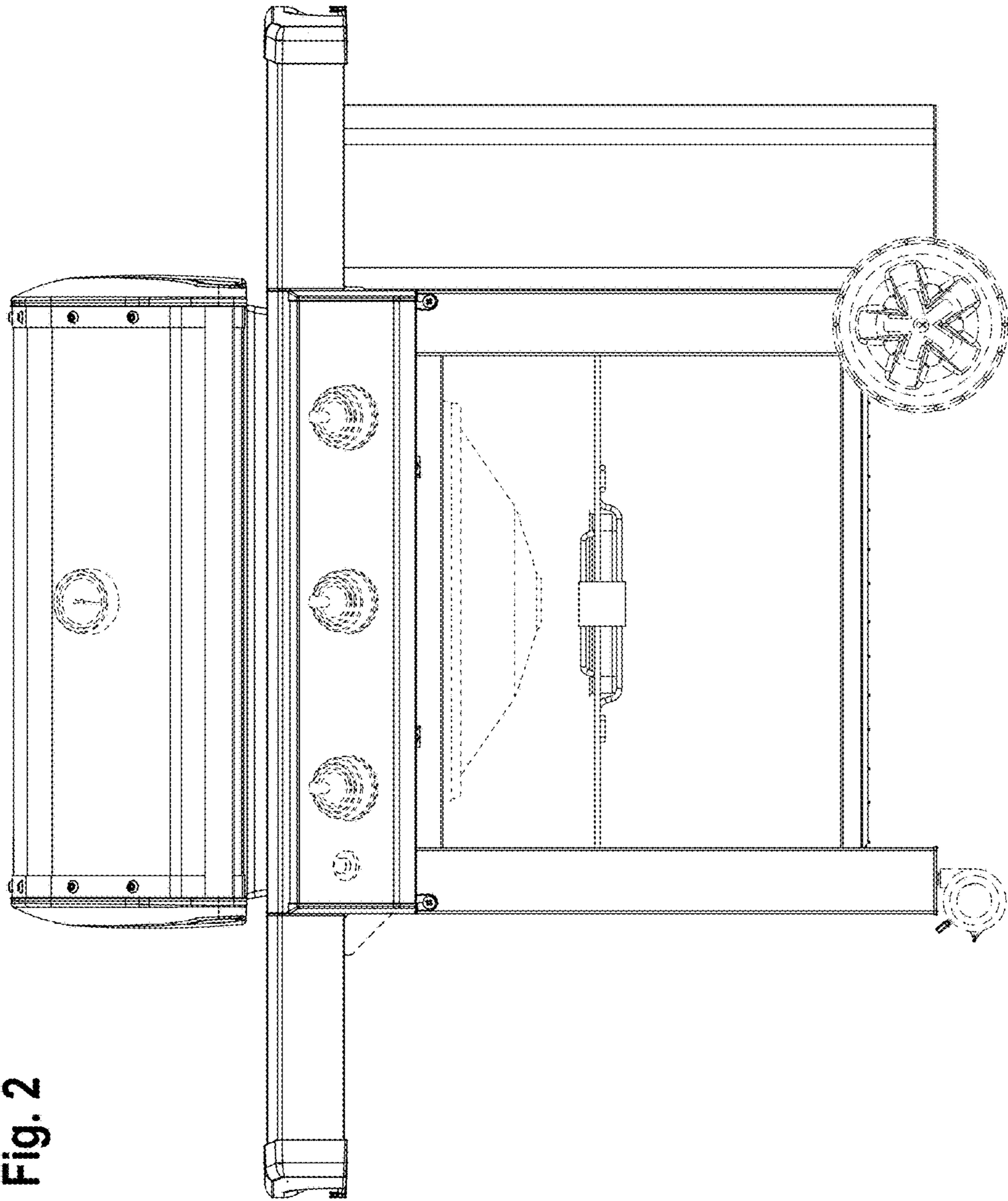


Fig. 2

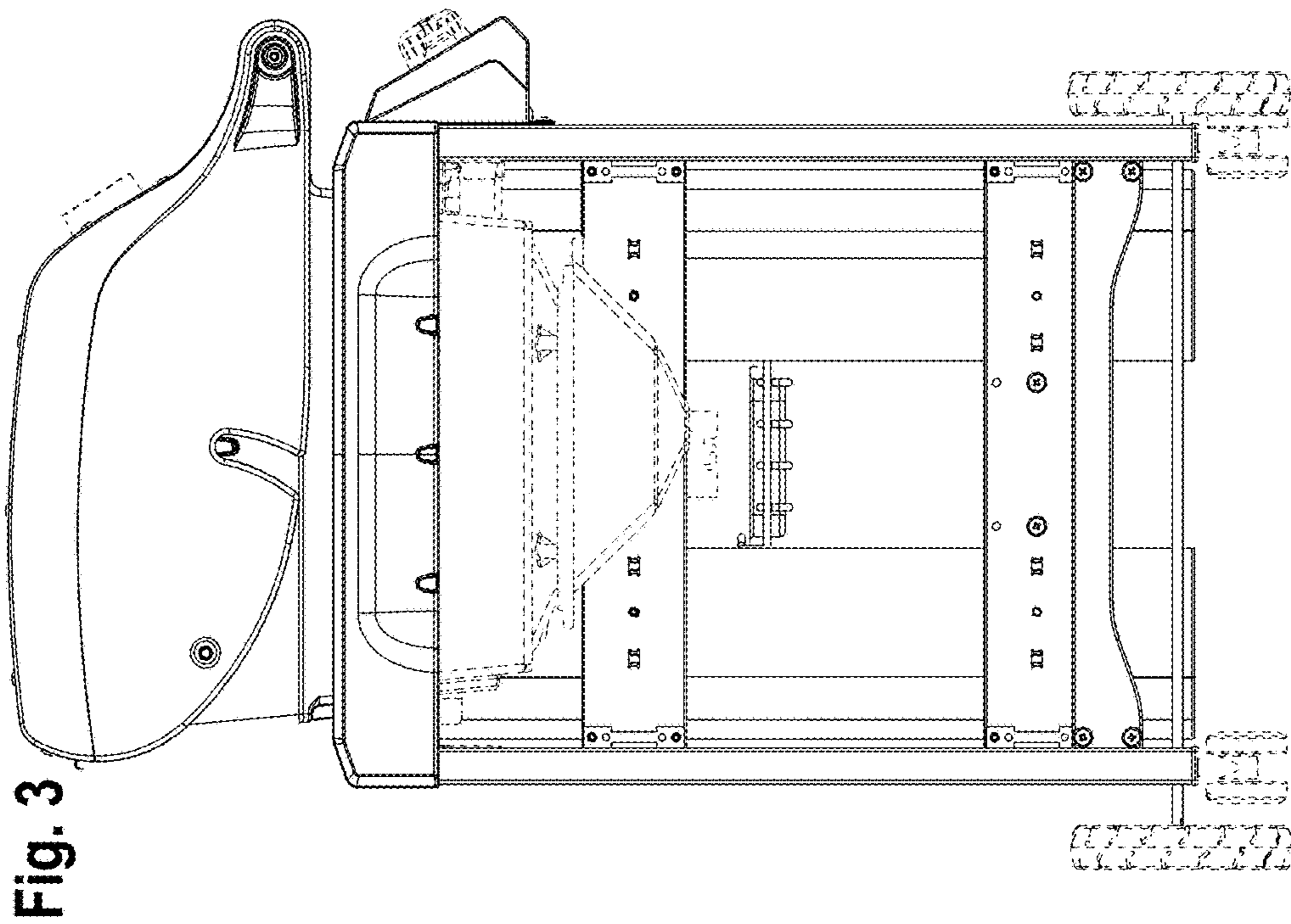
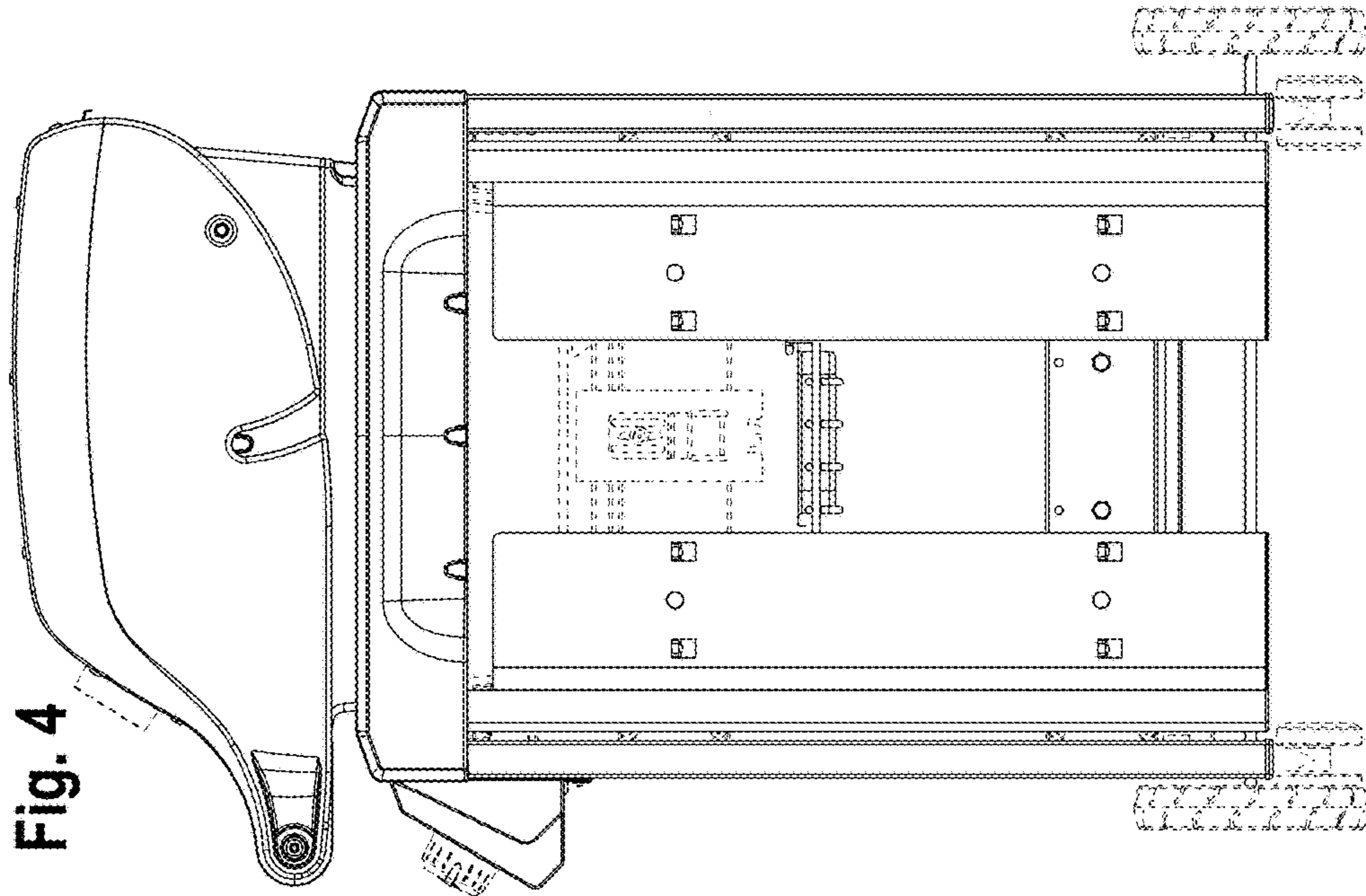
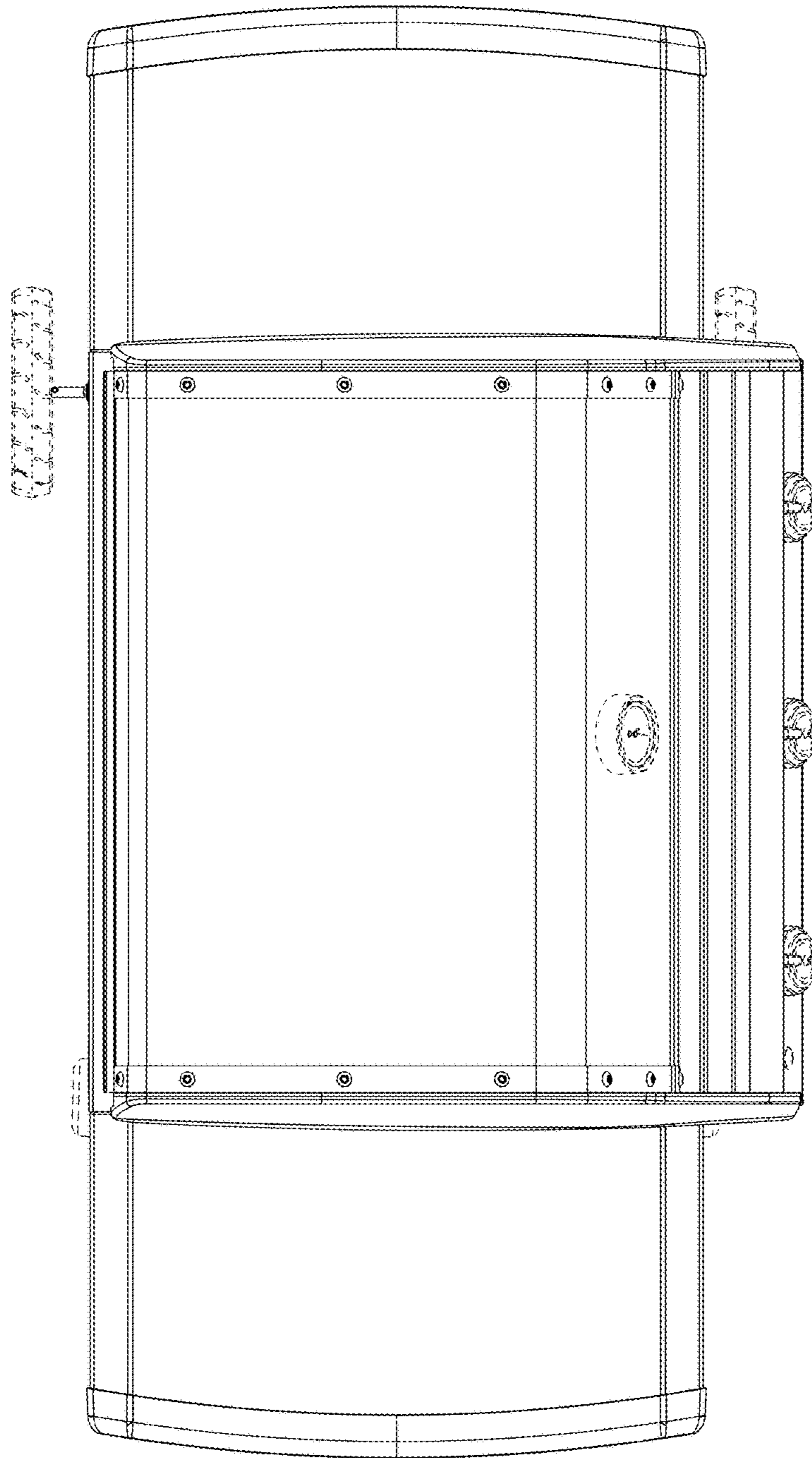


Fig. 5



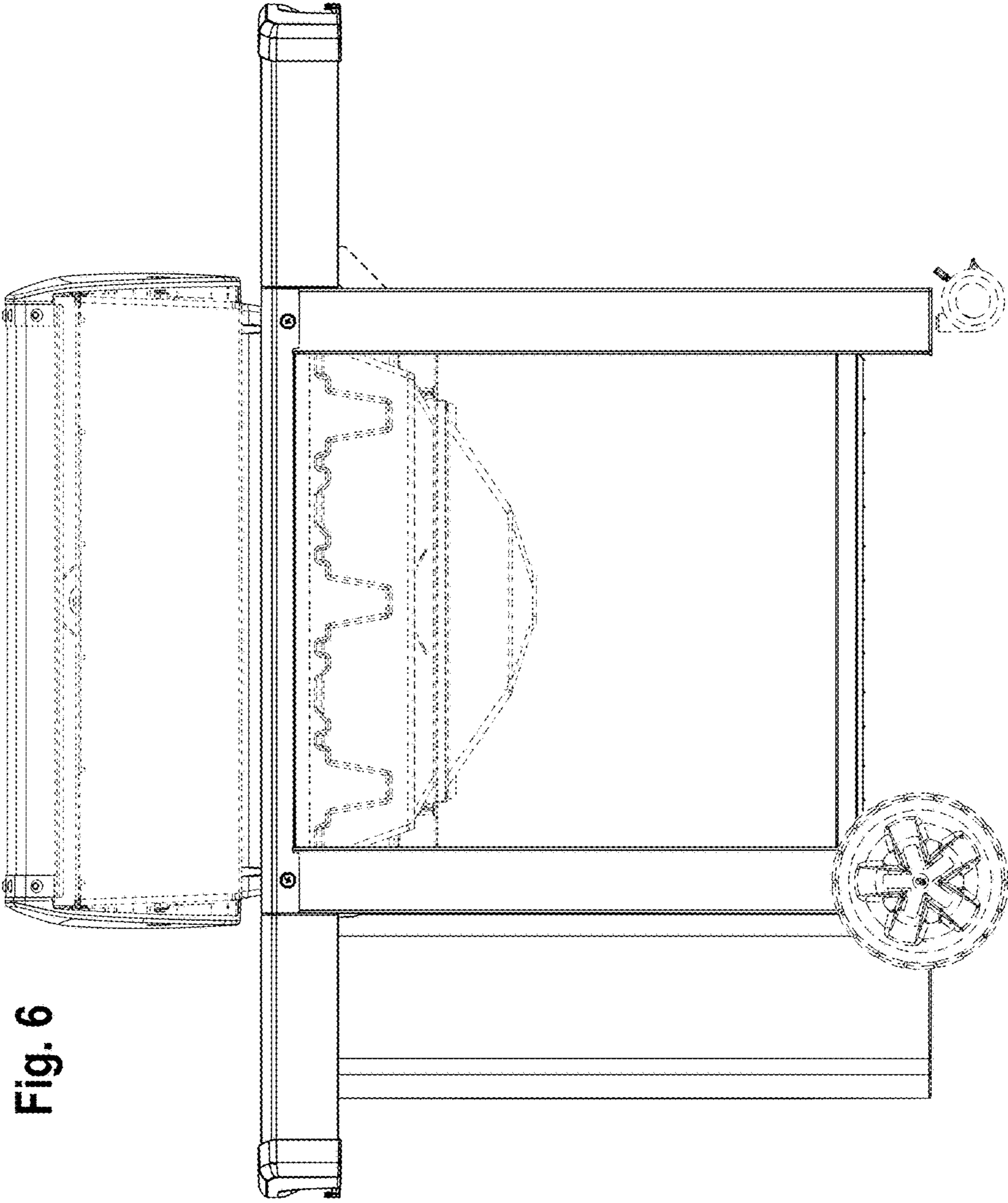
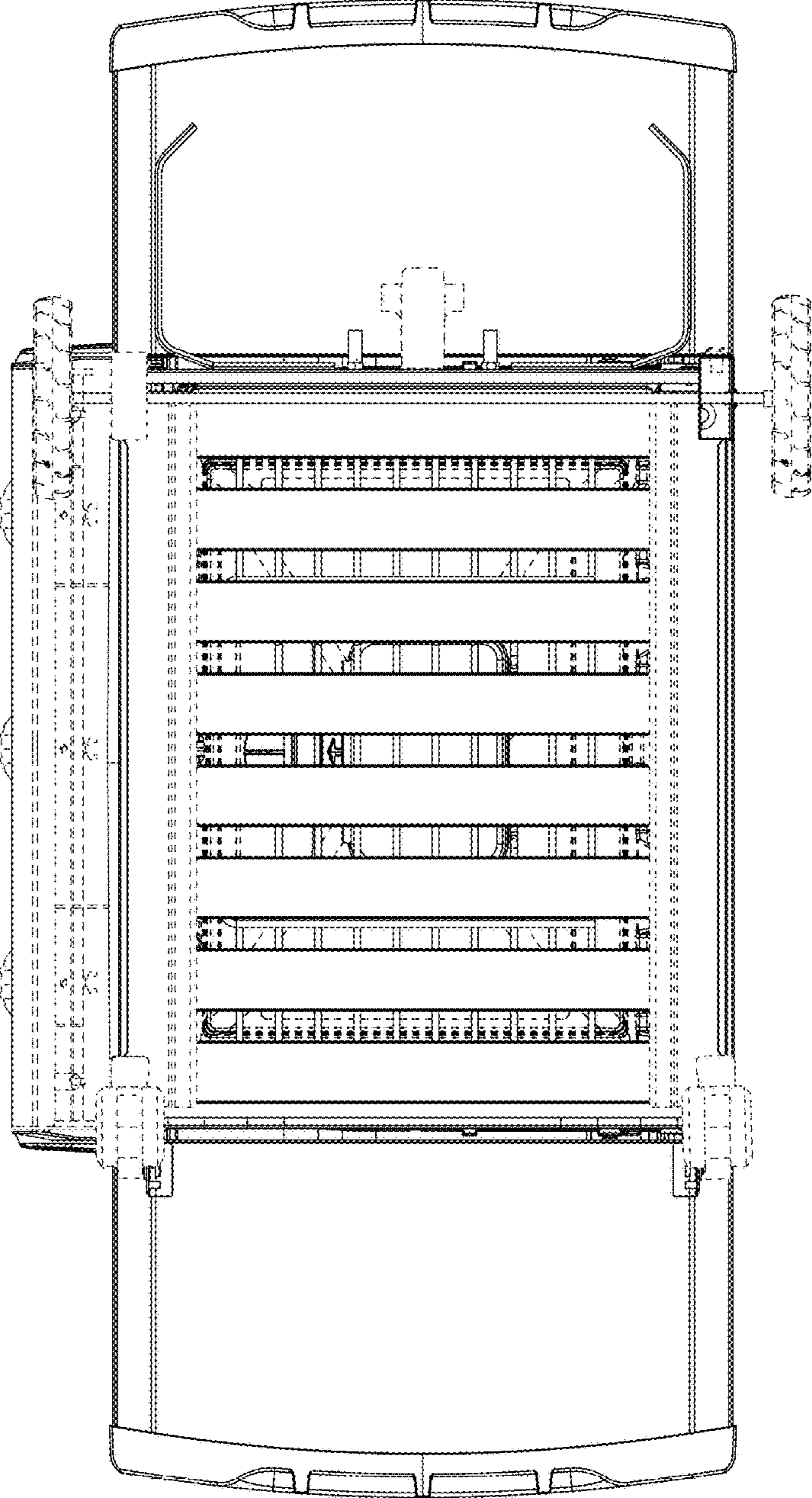
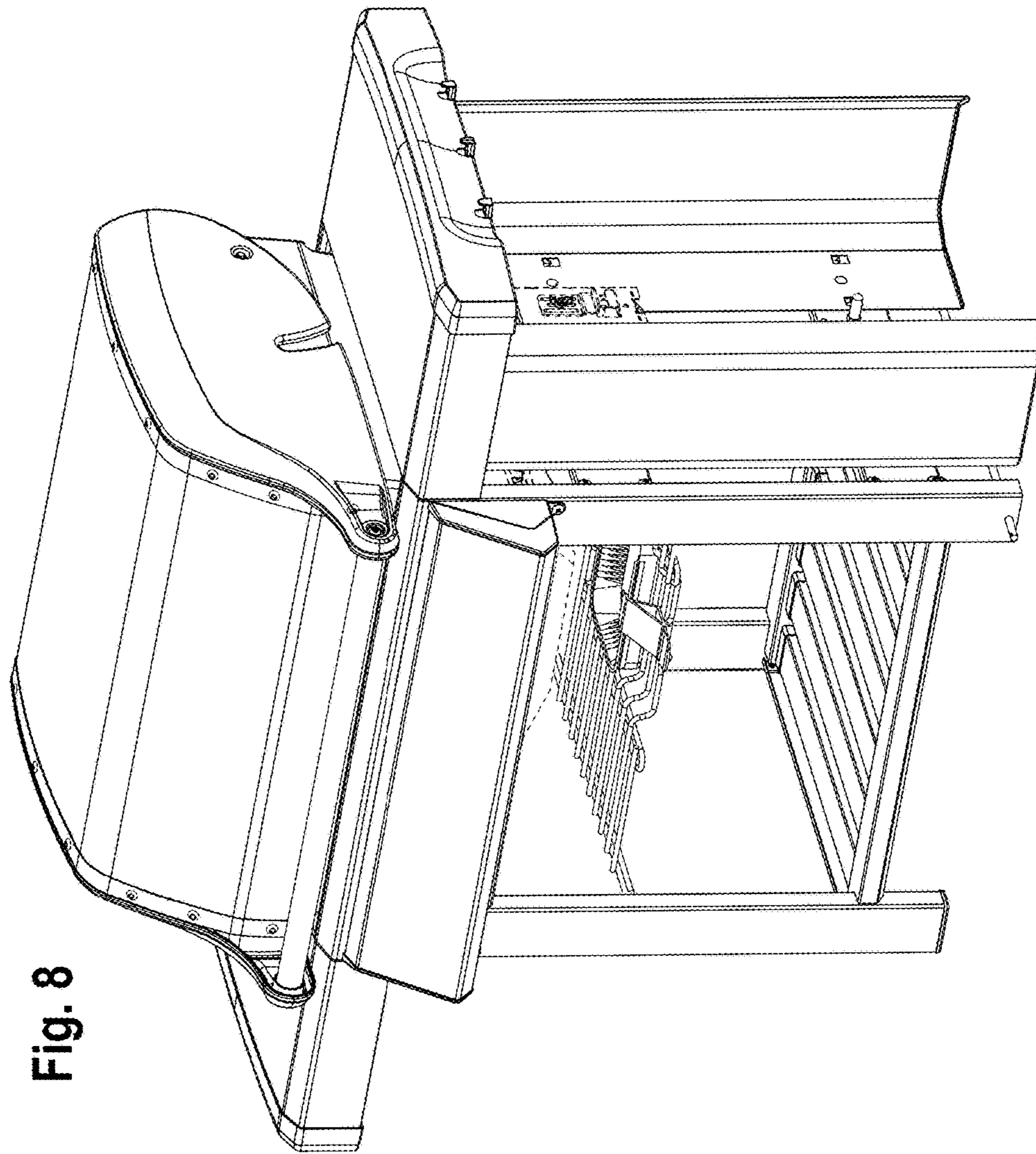


Fig. 6

Fig. 7







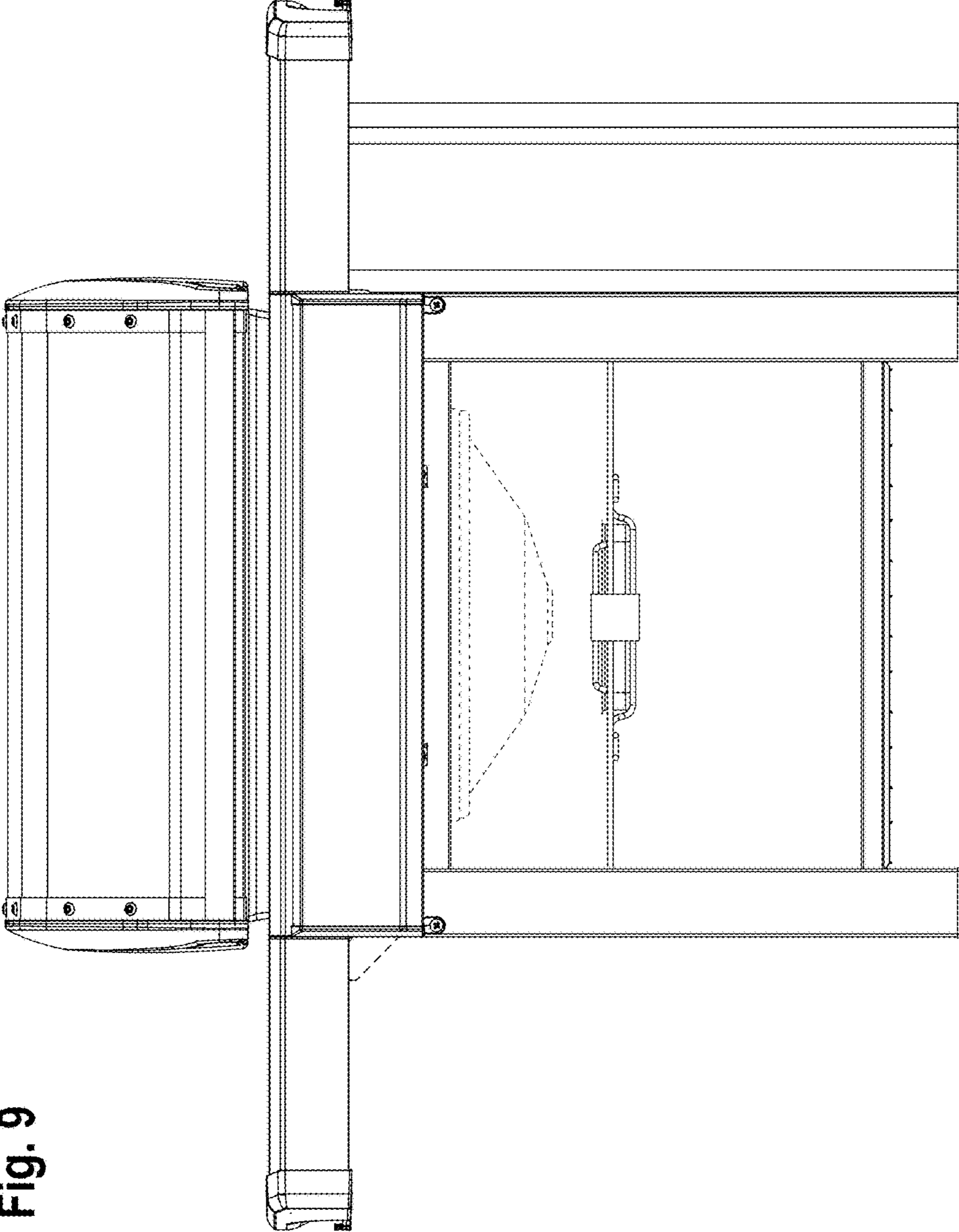


Fig. 9

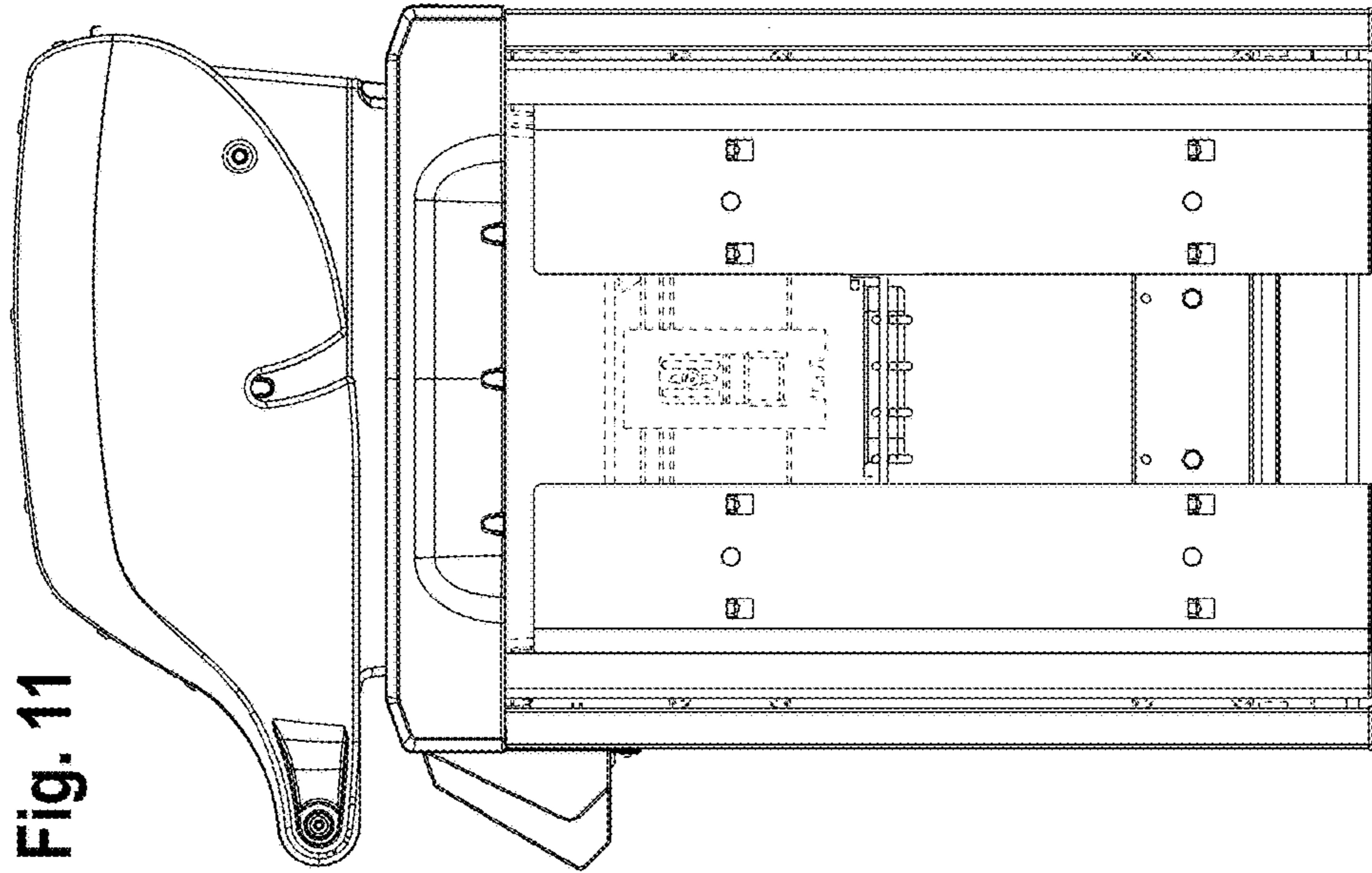


Fig. 11

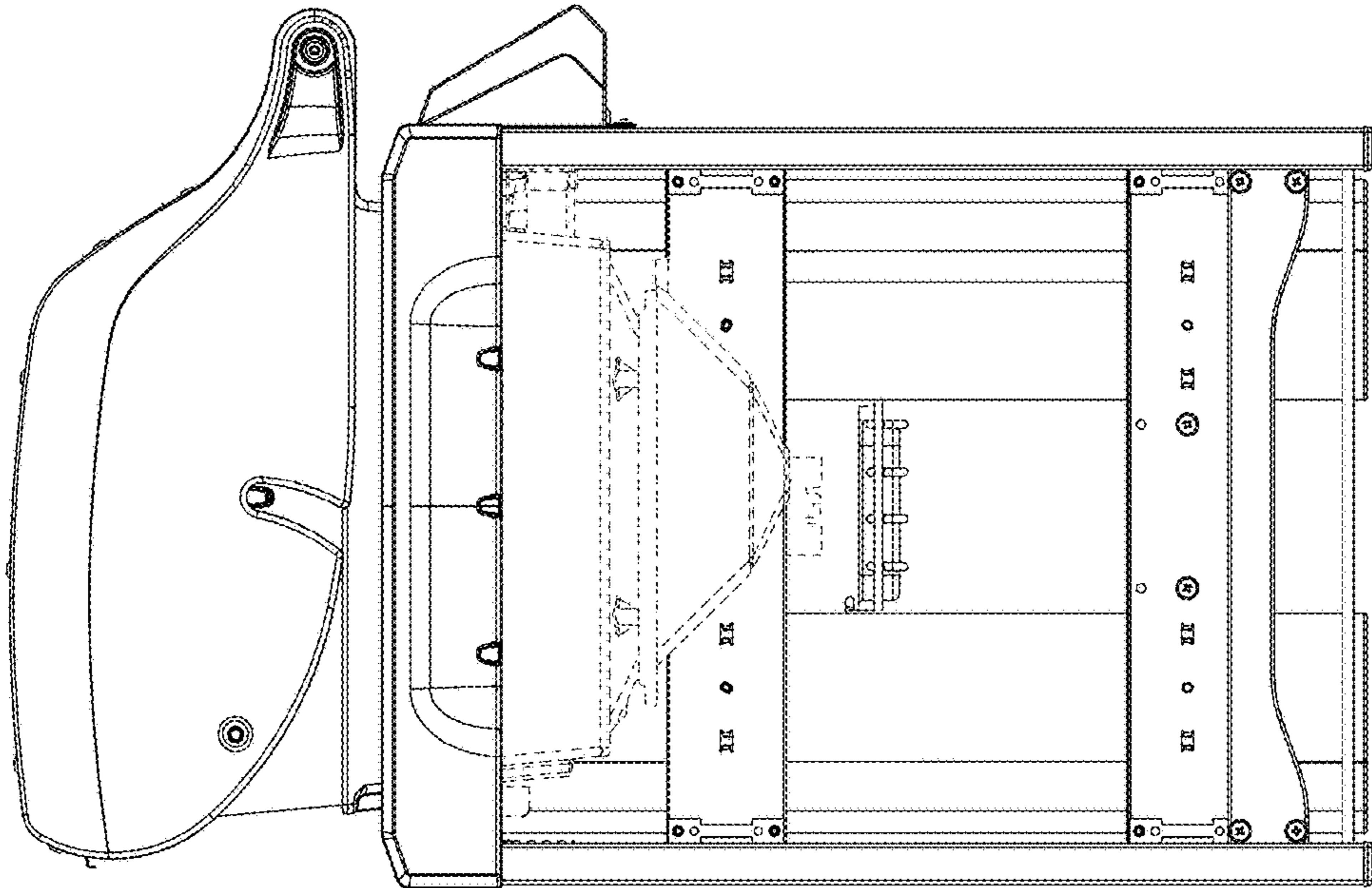
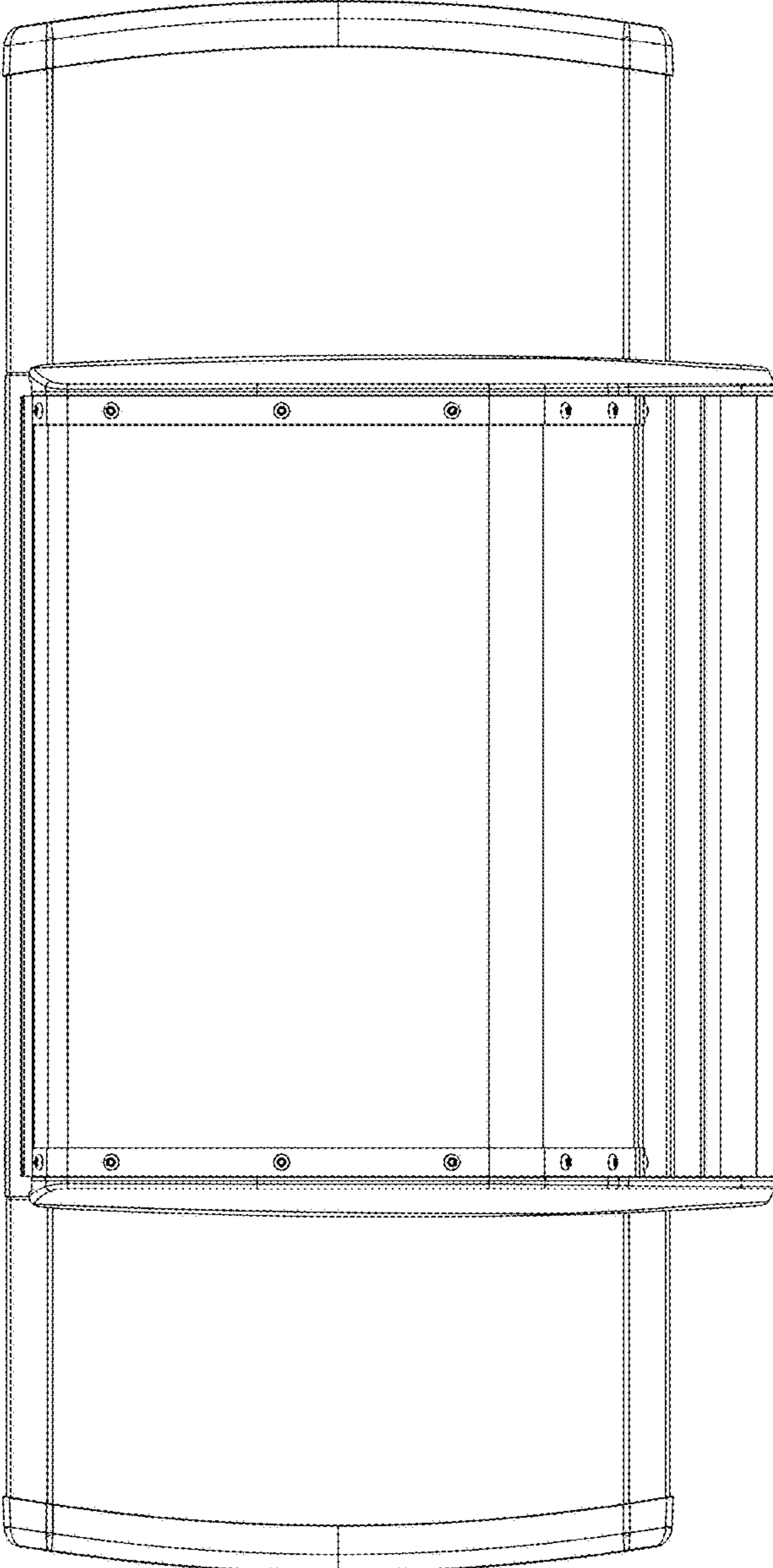


Fig. 10

Fig. 12



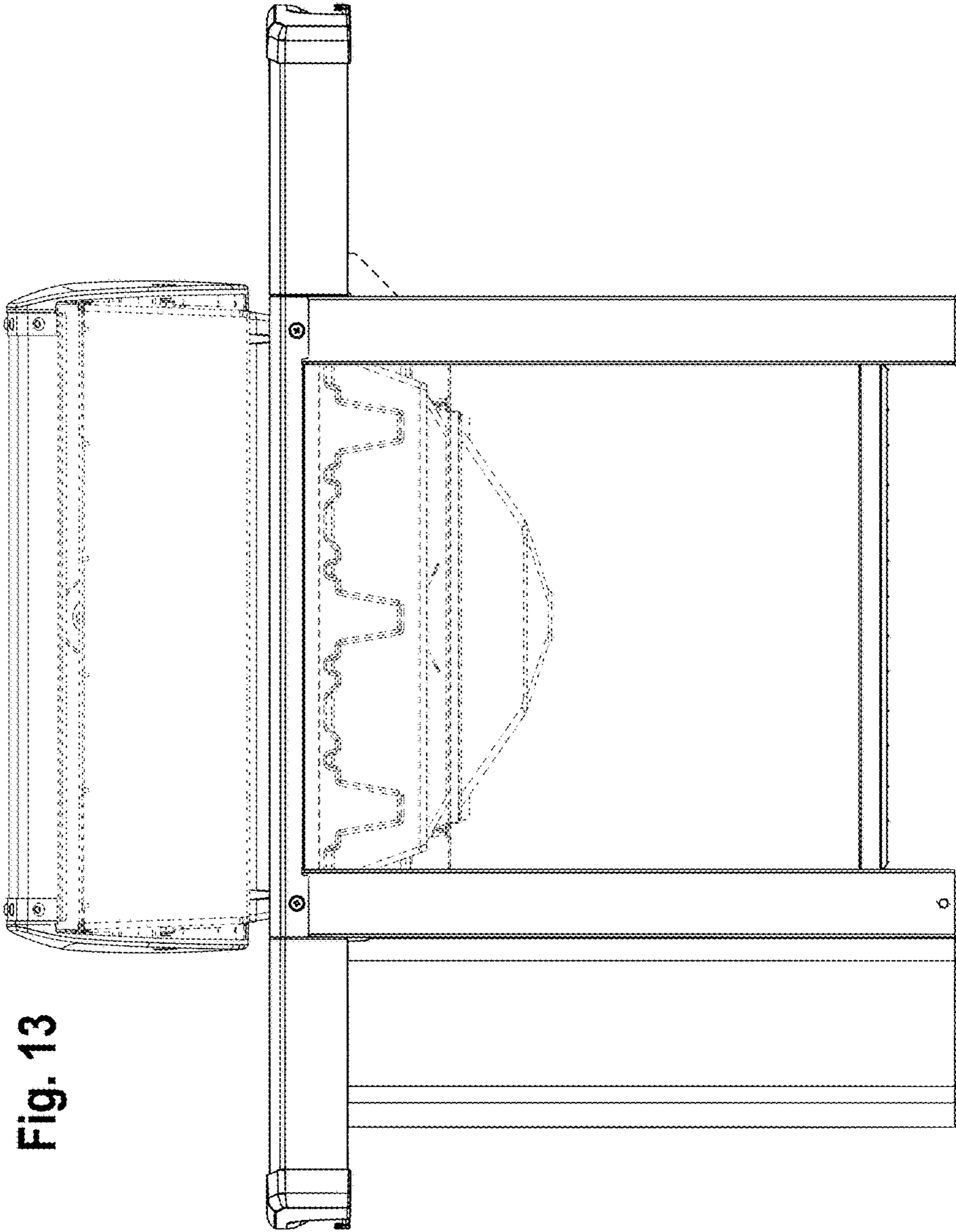


Fig. 13

Fig. 14

