



US00D816384S

(12) **United States Design Patent**
Naden

(10) **Patent No.:** **US D816,384 S**

(45) **Date of Patent:** **** May 1, 2018**

(54) **COFFEE PRESS**

(71) Applicant: **Mark Naden**, Brooklyn, NY (US)

(72) Inventor: **Mark Naden**, Brooklyn, NY (US)

(73) Assignee: **HELEN OF TROY LIMITED**, St. Michael (BB)

(**) Term: **15 Years**

(21) Appl. No.: **29/574,087**

(22) Filed: **Aug. 11, 2016**

(51) **LOC (11) Cl.** **07-01**

(52) **U.S. Cl.**
USPC **D7/318; D7/317**

(58) **Field of Classification Search**
USPC D7/316, 317, 318, 319; 215/396
CPC A47J 31/20; A47J 45/08; A47J 45/077
See application file for complete search history.

(56) **References Cited**

U.S. PATENT DOCUMENTS

D337,236 S * 7/1993 Sambinelli D7/316
D343,760 S * 2/1994 Lin D7/316

D368,404 S * 4/1996 Zive D7/316
5,570,623 A * 11/1996 Lin A47J 31/20
99/285
D377,132 S * 1/1997 Jørgensen D7/318
D383,639 S * 9/1997 Jørgensen D7/318
D448,602 S * 10/2001 Bodum D7/317
D654,754 S * 2/2012 Zoppellari D7/306
D810,491 S * 2/2018 Naden D7/318

* cited by examiner

Primary Examiner — Marianne Pandozzi

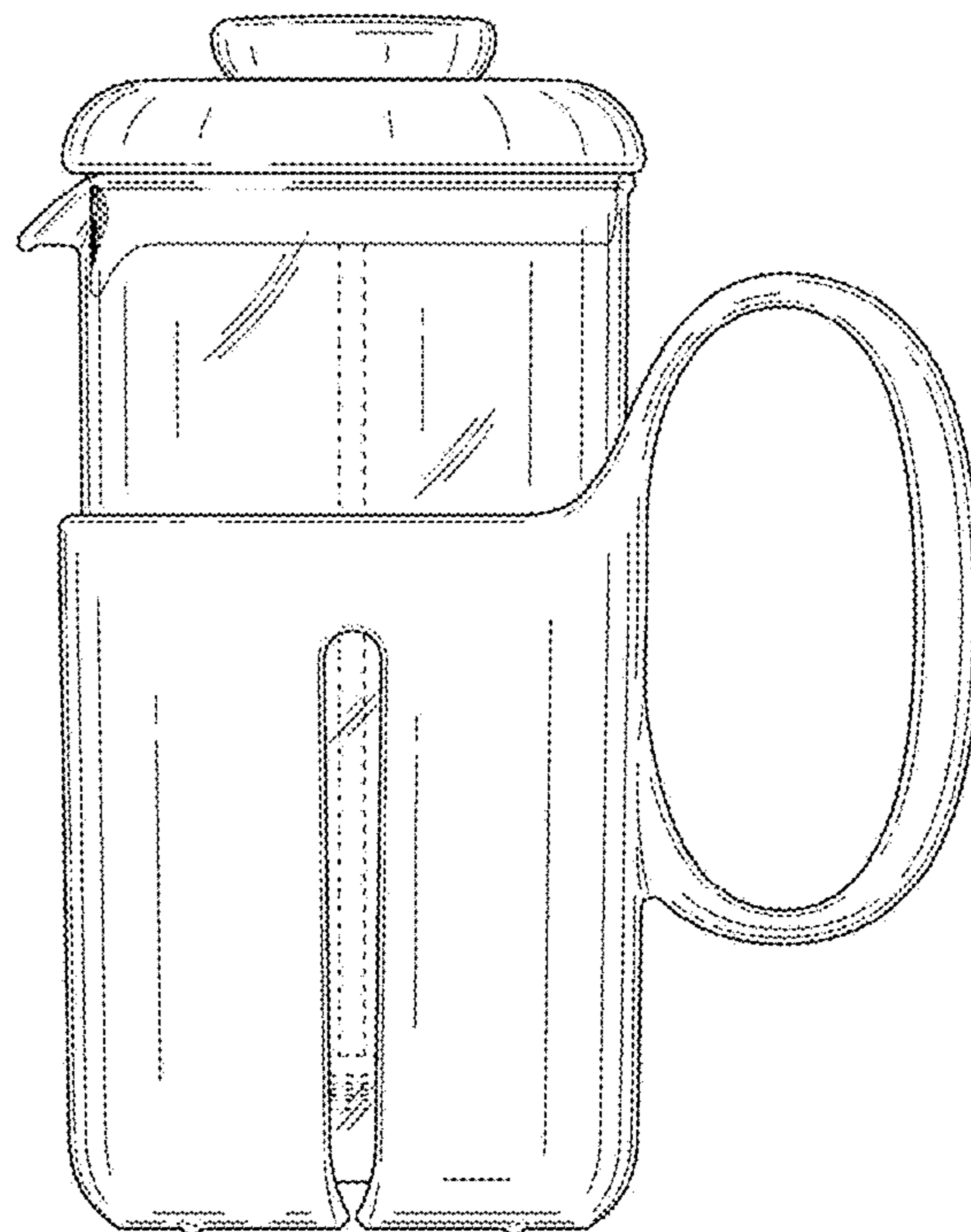
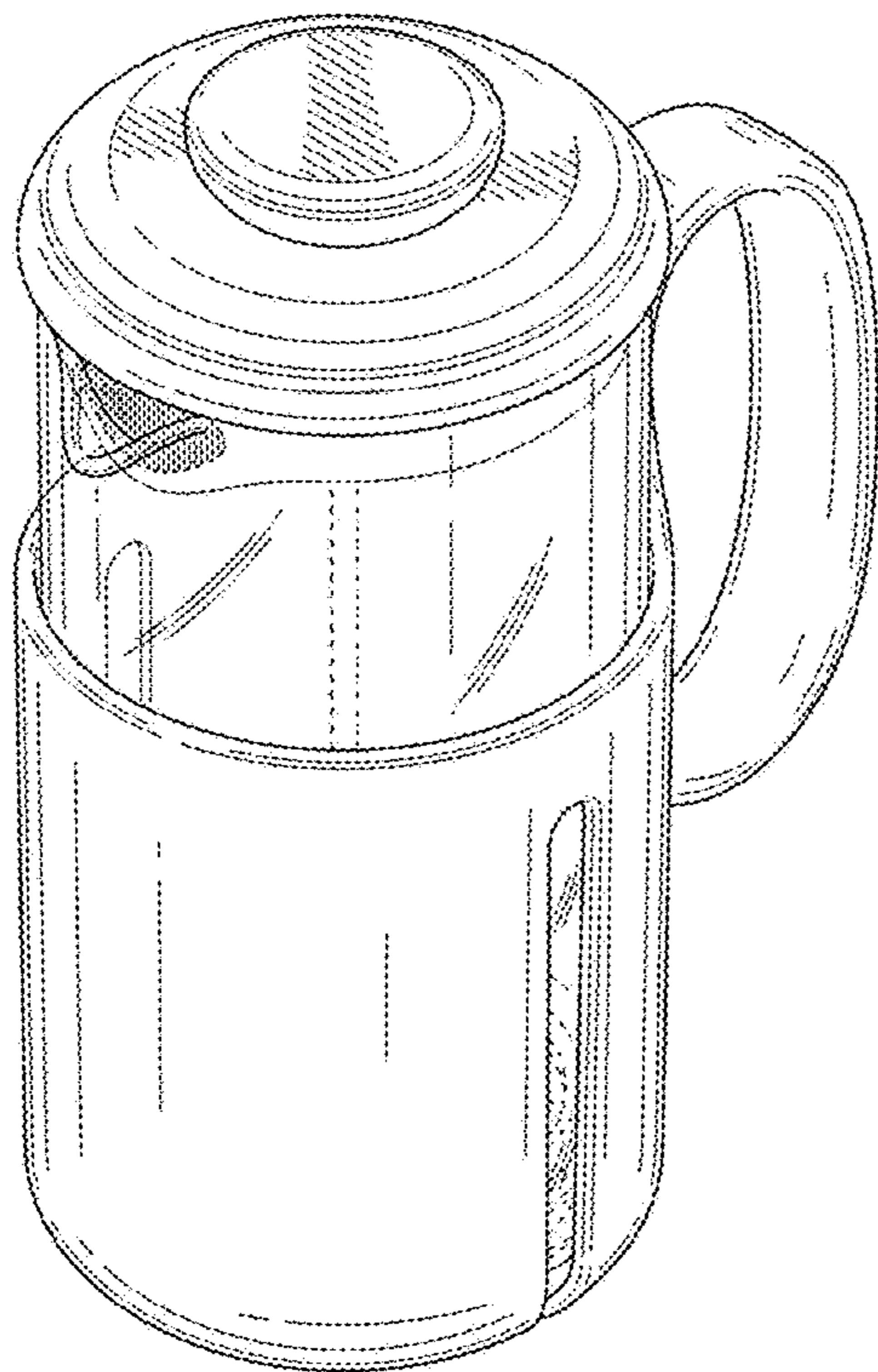
(57) **CLAIM**

The ornamental design for a coffee press, as shown, and described.

DESCRIPTION

FIG. 1 is a perspective view of the coffee press;
FIG. 2 is a front view of the coffee press;
FIG. 3 is a rear view of the coffee press;
FIG. 4 is a left side view of the coffee press;
FIG. 5 is a right side view of the coffee press;
FIG. 6 is a top view of the coffee press; and,
FIG. 7 is a bottom view of the coffee press.
The broken lines illustrate a partially visible coffee plunger, which forms no part of the claimed design.

1 Claim, 7 Drawing Sheets



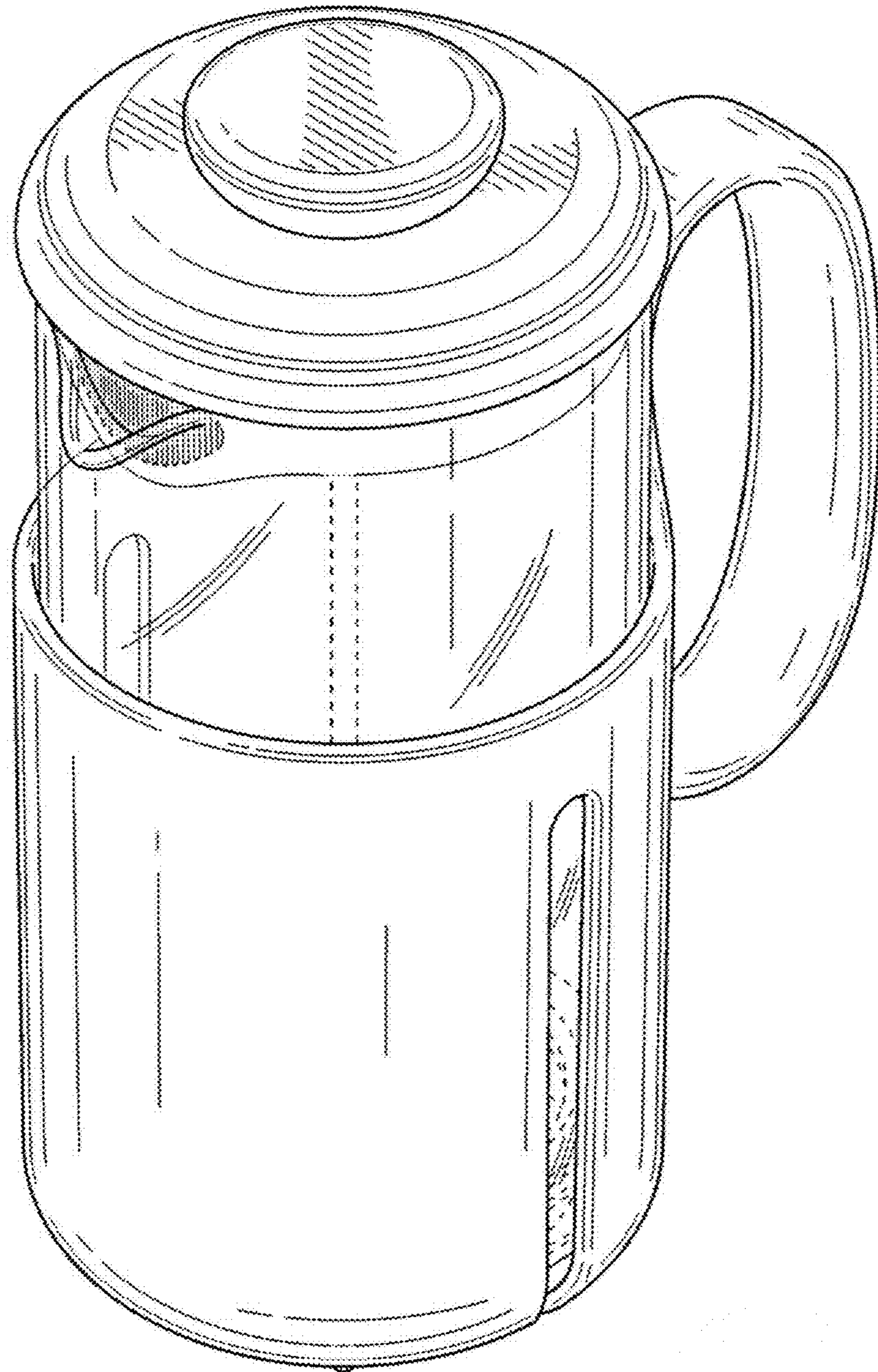


Figure 1

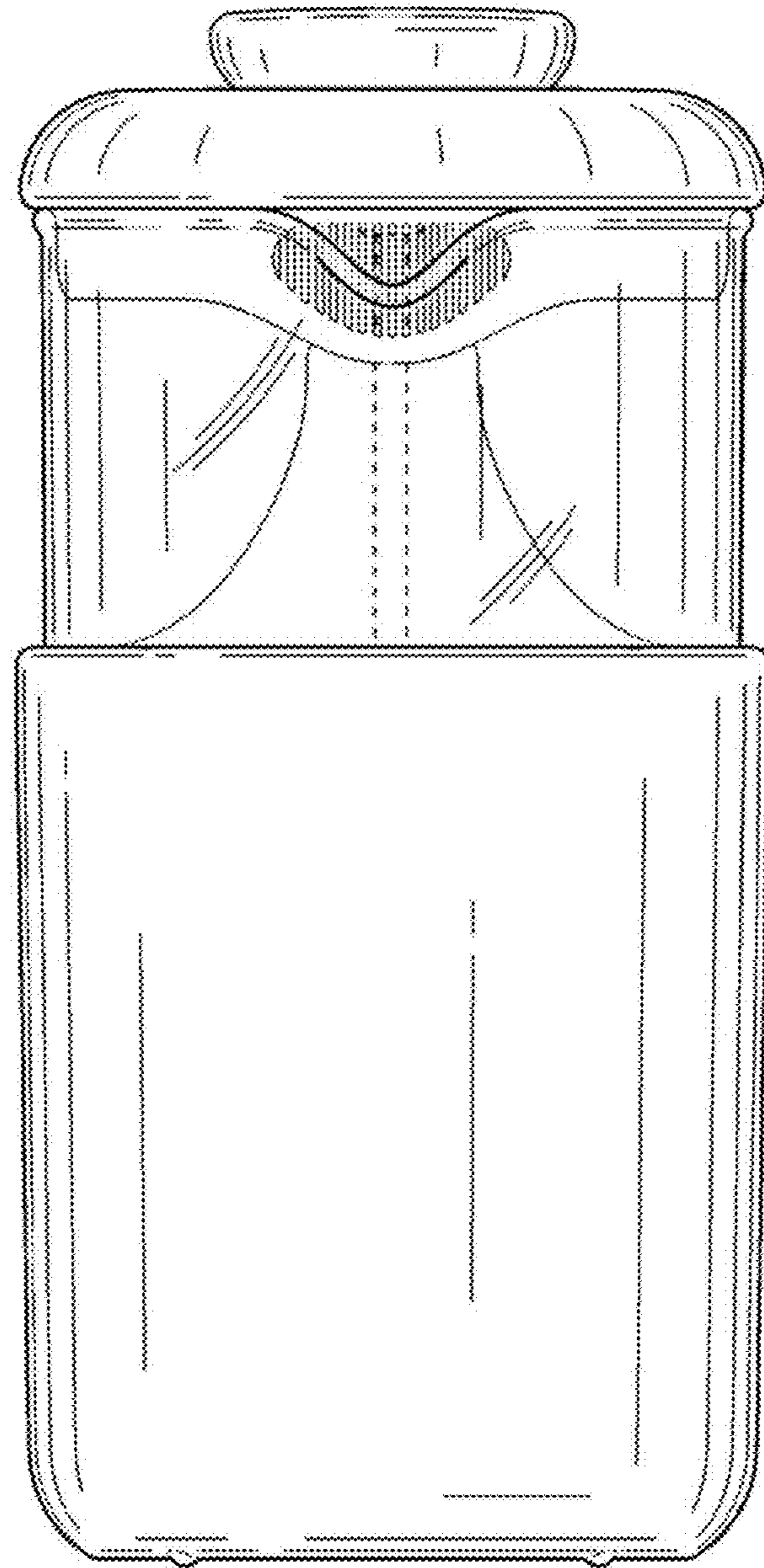


Figure 2

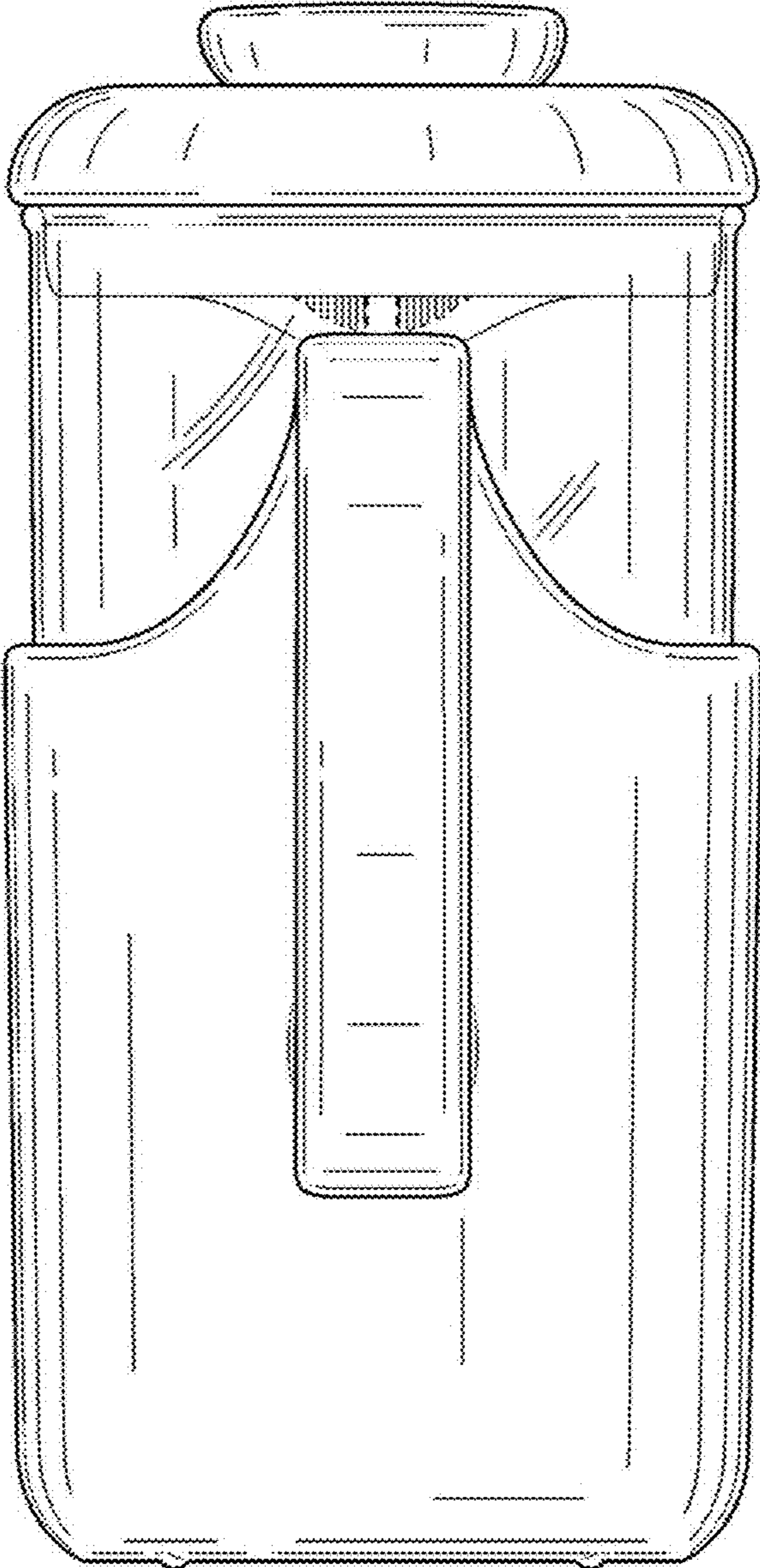


Figure 3

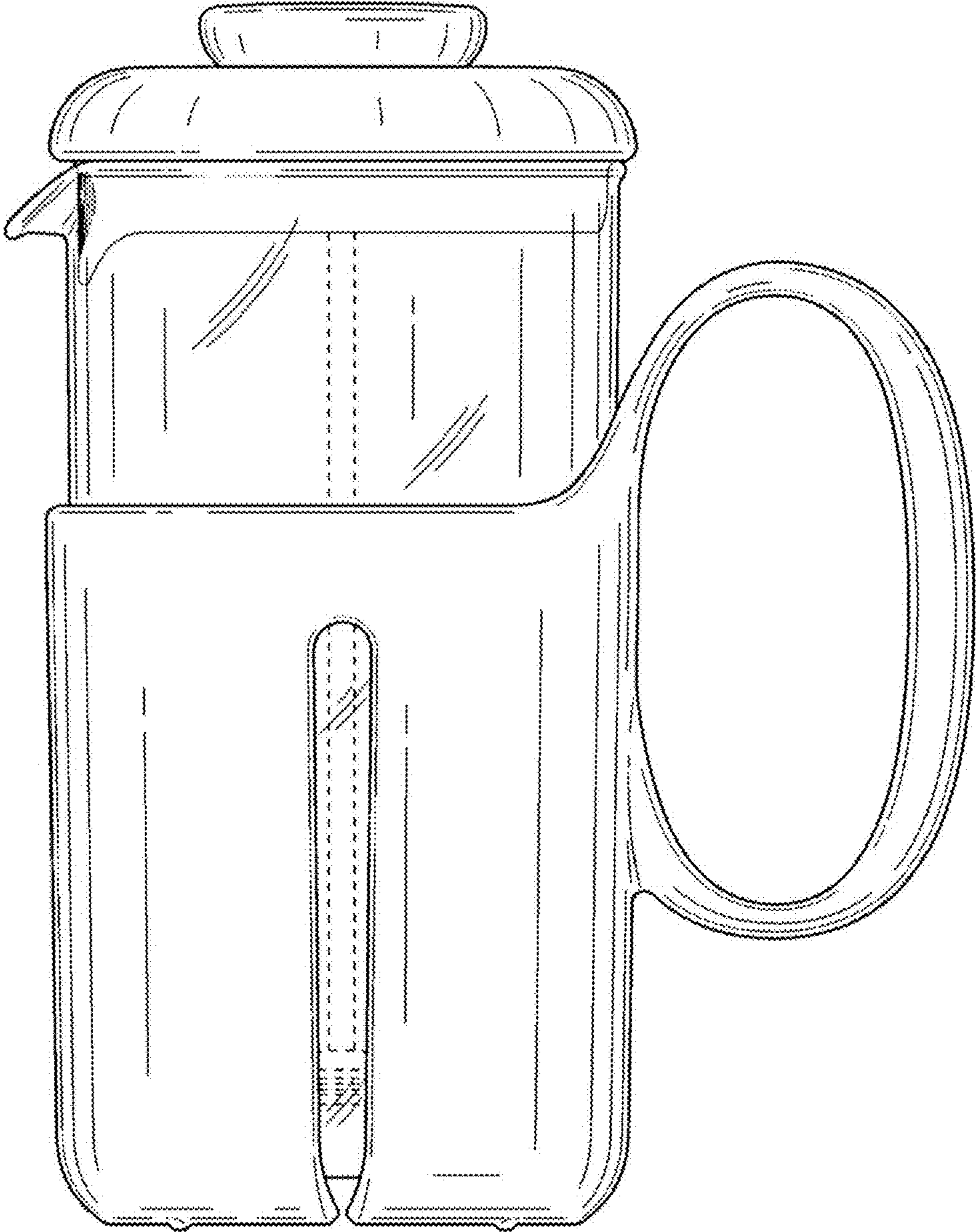


Figure 4

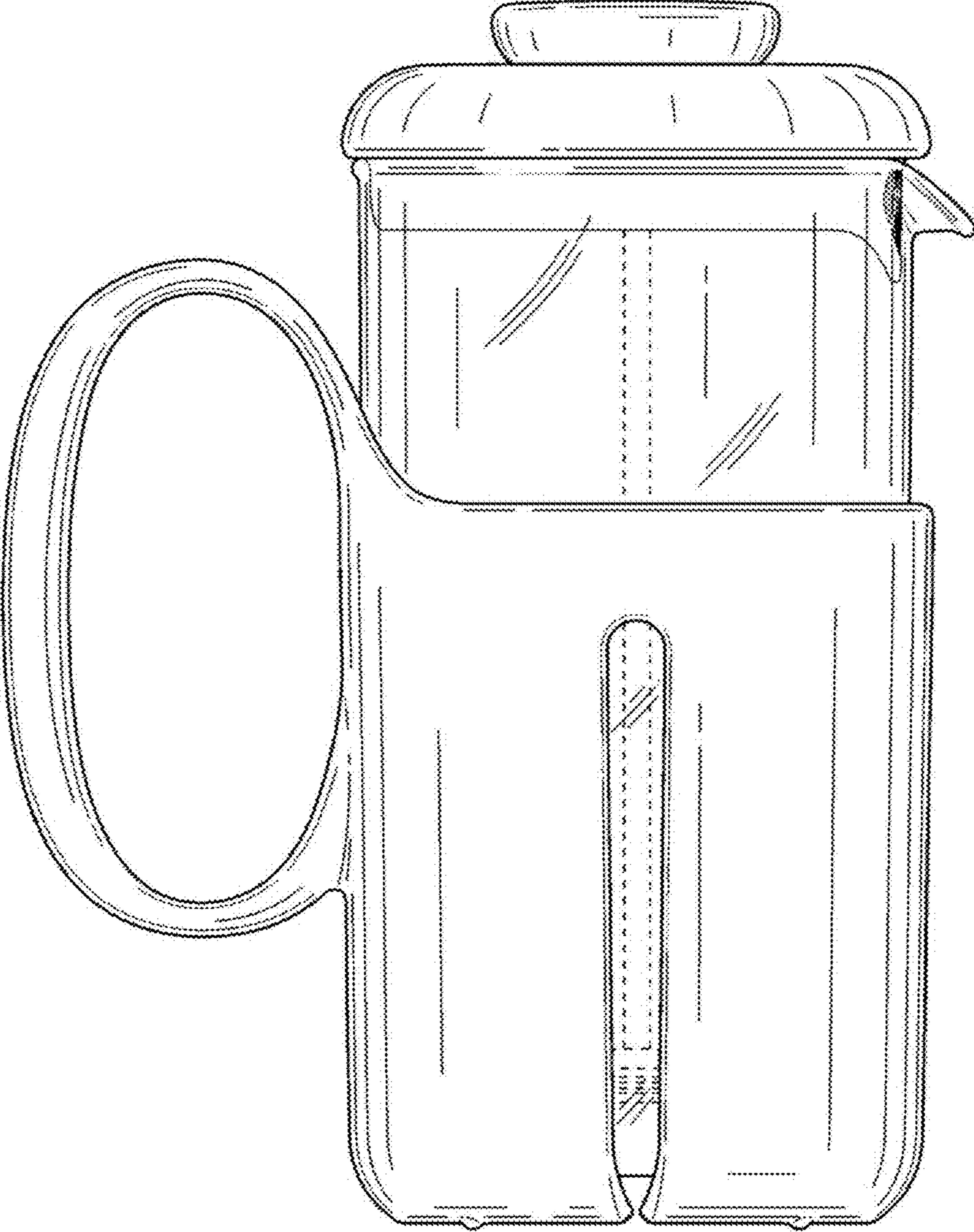


Figure 5

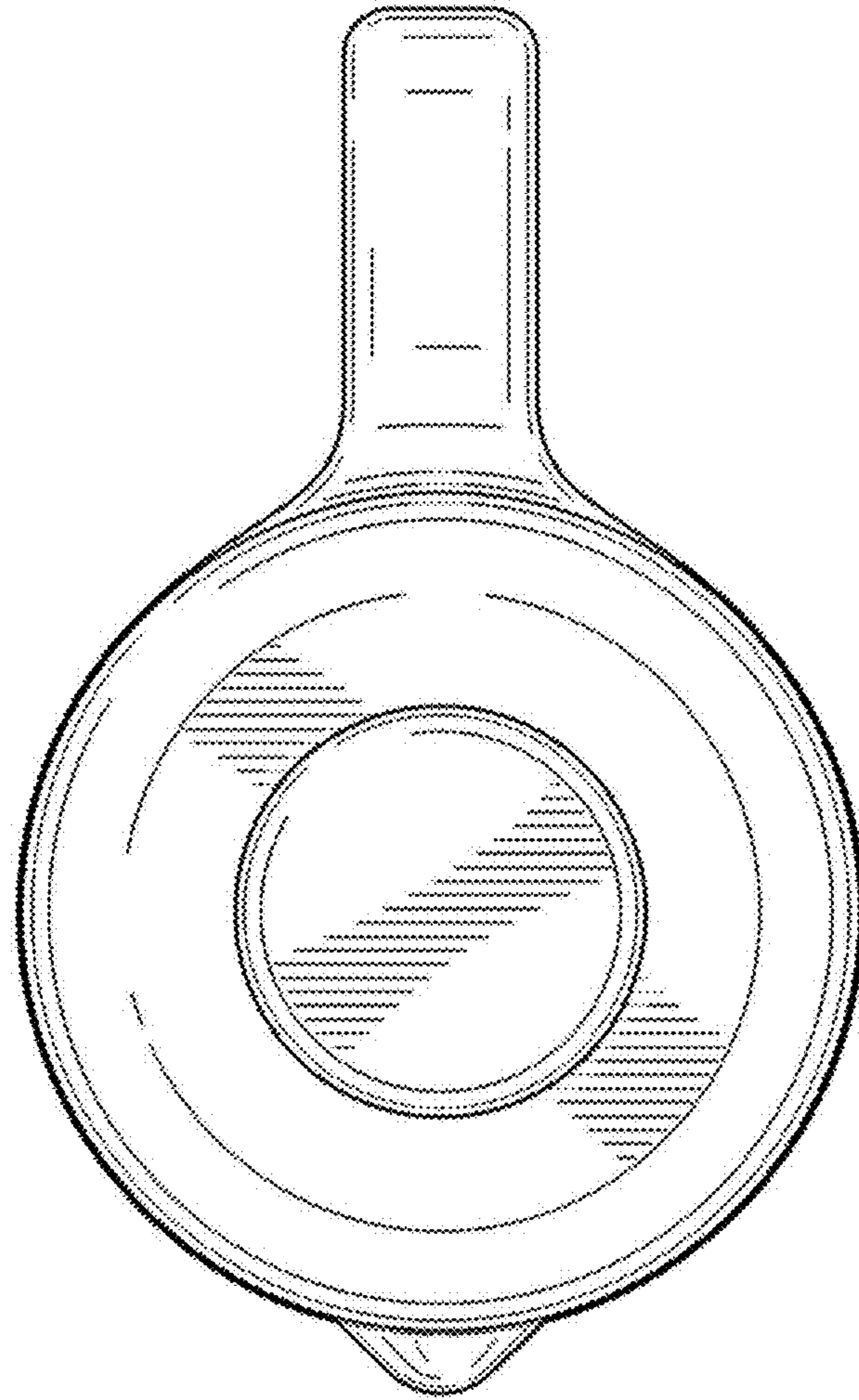


Figure 6

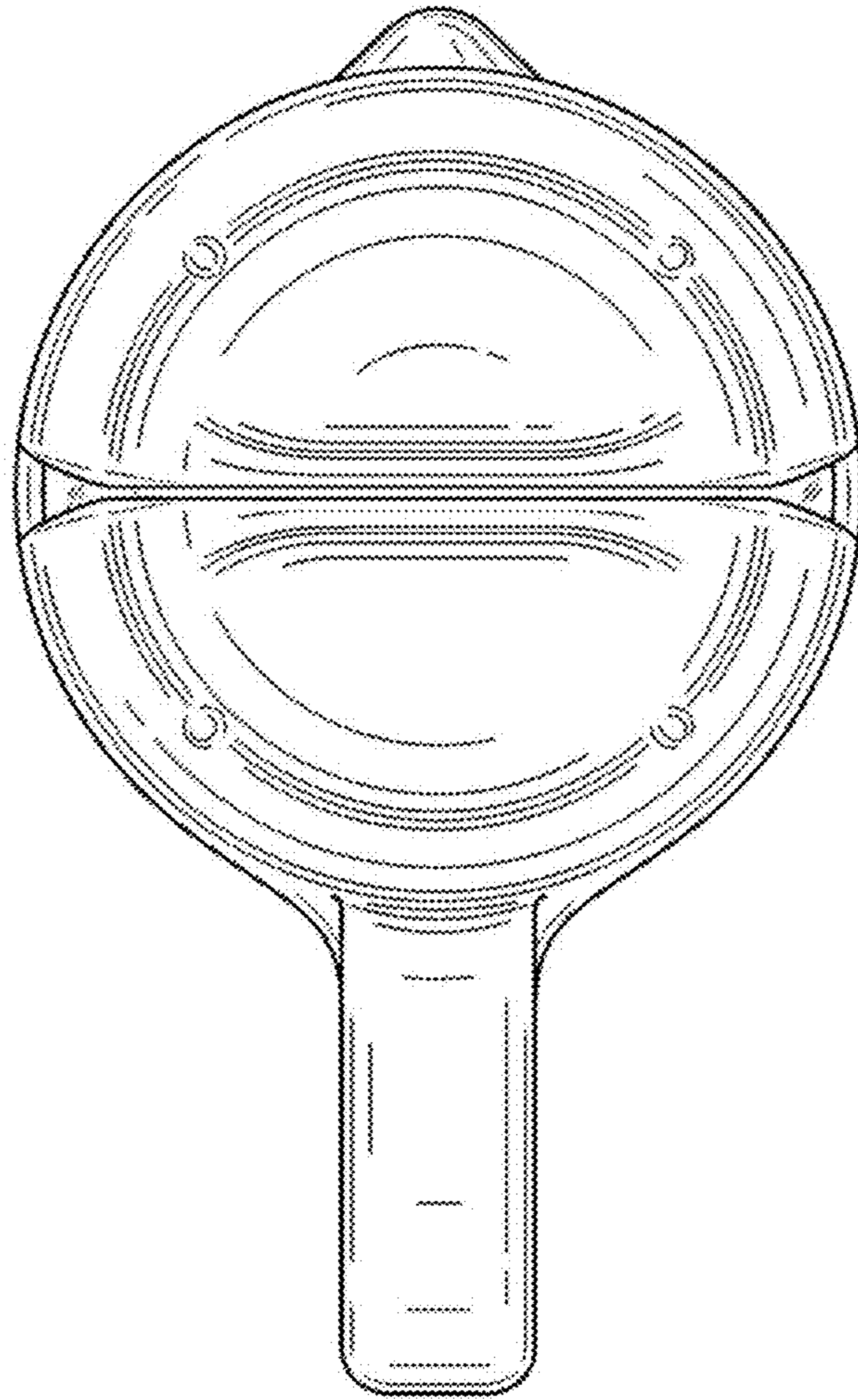


Figure 7