



US00D816383S

(12) **United States Design Patent** (10) **Patent No.:** **US D816,383 S**
Liang (45) **Date of Patent:** **** May 1, 2018**

(54) **DRIP COFFEE MAKER**

(71) Applicant: **Jiangmen Lilong Industries Ltd.**,
Jiangmen, Guangdong (CN)

(72) Inventor: **Yongkang Liang**, Jiangmen (CN)

(73) Assignee: **Jiangmen Lilong Industries Ltd.**,
Jiangmen, Guangdong (CN)

(**) Term: **15 Years**

(21) Appl. No.: **29/568,370**

(22) Filed: **Jun. 17, 2016**

(51) **LOC (11) Cl.** **07-01**

(52) **U.S. Cl.**
USPC **D7/310; D7/311; D7/309**

(58) **Field of Classification Search**
USPC **D7/305-311, 313, 397; D15/82;**
222/129.1, 146.6; 99/295
CPC **A47J 31/44; A47J 31/4403; A47J 31/46;**
A47J 31/4482; A47J 31/369; A47J
31/407; A47J 31/02; A47J 31/047; B67D
1/36; B67D 2210/0065; B67D 1/0864
See application file for complete search history.

D310,931 S * 10/1990 Mollenhoff D7/309
D314,881 S * 2/1991 Wondergem D7/309
D489,214 S * 5/2004 Noda D7/309
D496,213 S * 9/2004 Midden D7/309
D502,043 S * 2/2005 Lin D7/309
D507,449 S * 7/2005 Burton D7/309
D552,402 S * 10/2007 Schwamkrug D7/309
D610,857 S * 3/2010 Pateman D7/306
D712,188 S * 9/2014 Averty D7/309
D718,972 S * 12/2014 Jorgensen D7/309
D760,530 S * 7/2016 Bartoli D7/309
D761,051 S * 7/2016 Bartoli D7/309
D762,412 S * 8/2016 Kestenbaum D7/392
D773,878 S * 12/2016 Lee D7/309
D785,394 S * 5/2017 Palermo D7/306
D788,509 S * 6/2017 Wei D7/305
D800,487 S * 10/2017 Chawla D7/306

* cited by examiner

Primary Examiner — Marianne Pandozzi
(74) *Attorney, Agent, or Firm* — Loginov & Associates;
William A. Loginov

(57) **CLAIM**

The ornamental design for a drip coffee maker, substantially as shown.

DESCRIPTION

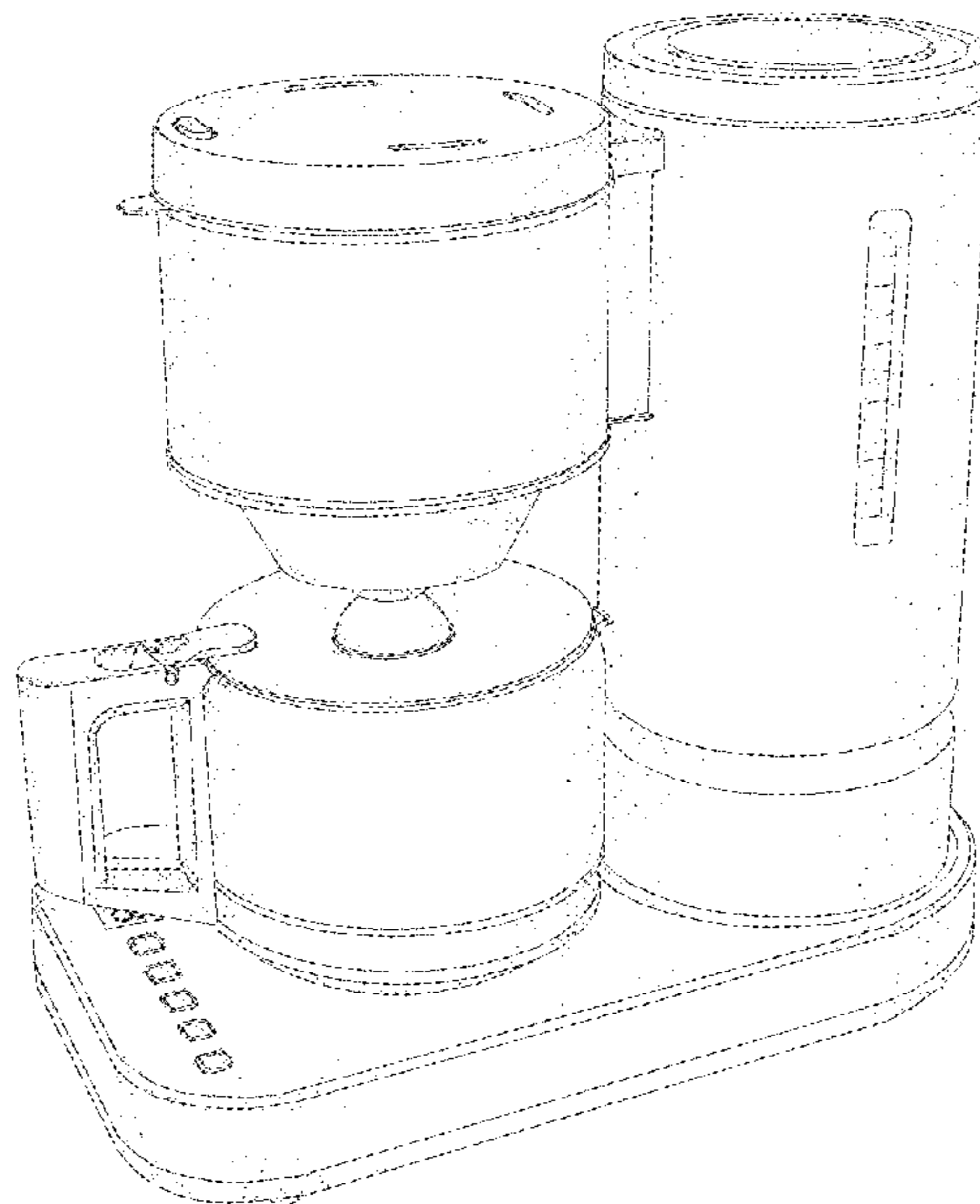
FIG. 1 is a perspective view of the drip coffee maker;
FIG. 2 is a right view thereof;
FIG. 3 is a left view thereof;
FIG. 4 is a front view thereof;
FIG. 5 is a rear view thereof;
FIG. 6 is a top view thereof; and,
FIG. 7 is a bottom view thereof.

1 Claim, 7 Drawing Sheets

(56) **References Cited**

U.S. PATENT DOCUMENTS

D220,579 S * 4/1971 Wickensburg D7/309
3,592,125 A * 7/1971 Tolmie A47J 31/0573
392/467
D240,386 S * 7/1976 Stutzen D7/309
4,721,034 A * 1/1988 Shimomura A47J 31/047
99/280
4,920,868 A * 5/1990 Gehrman A47J 31/0573
285/347



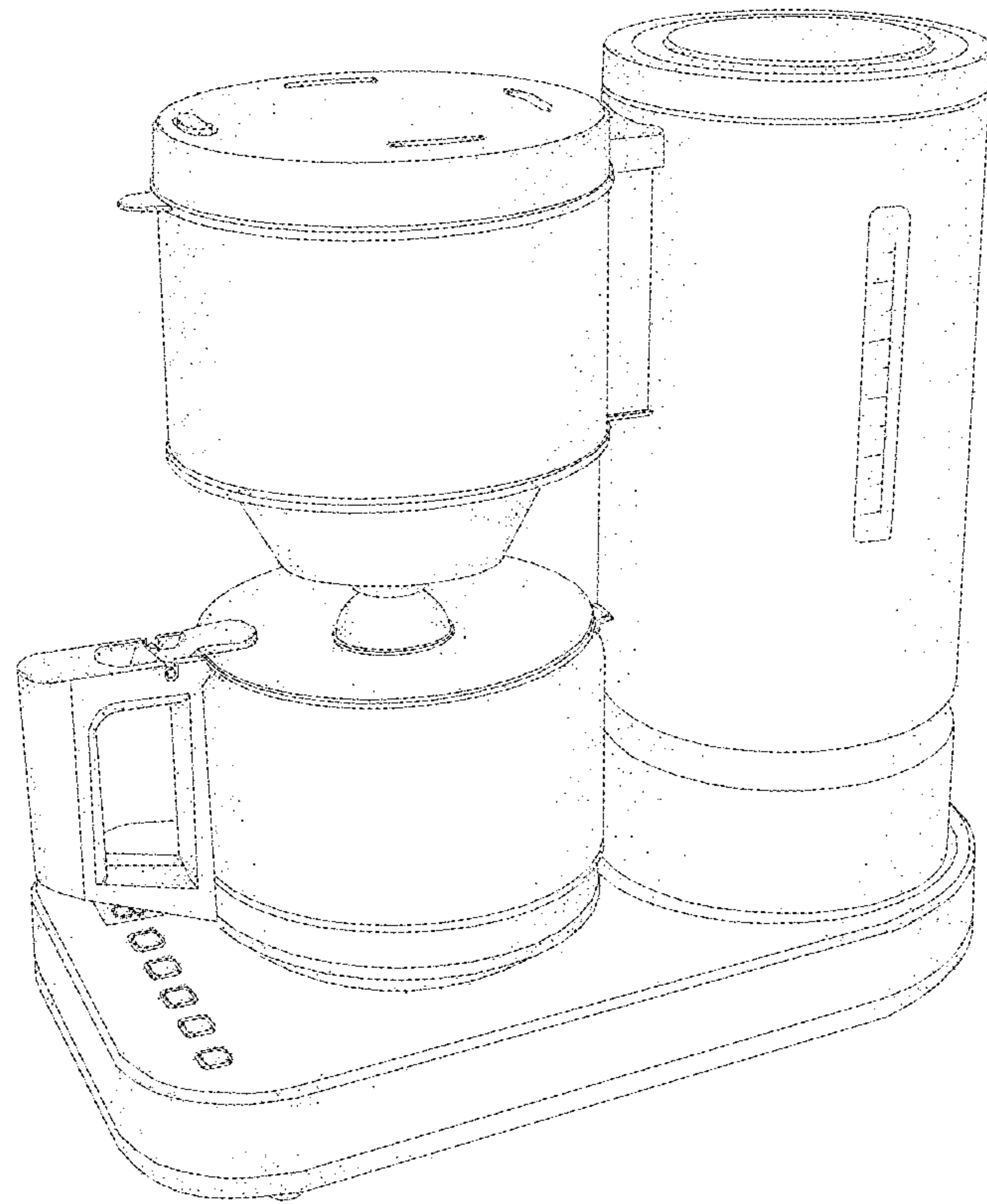


Fig. 1

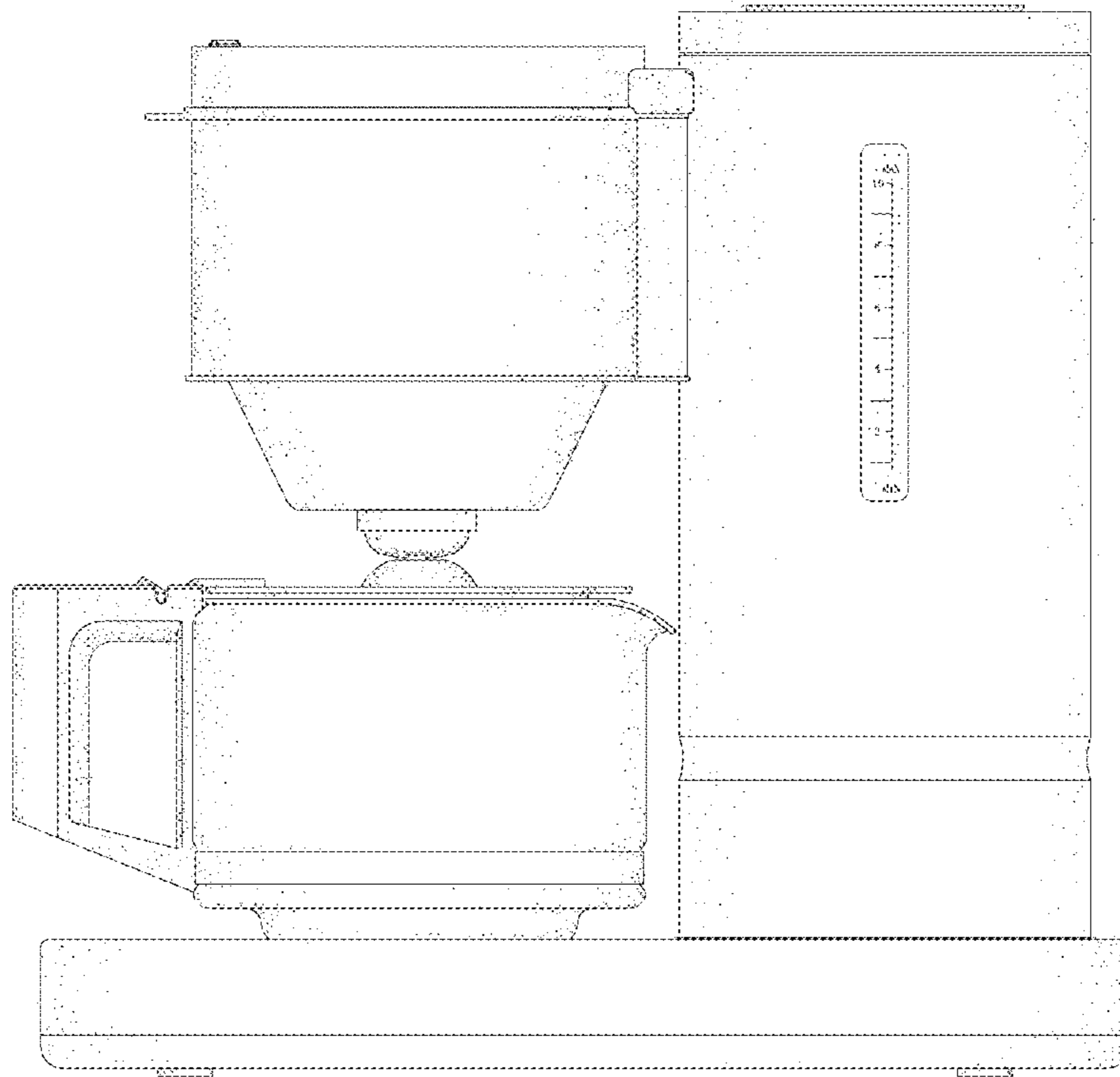


Fig.2

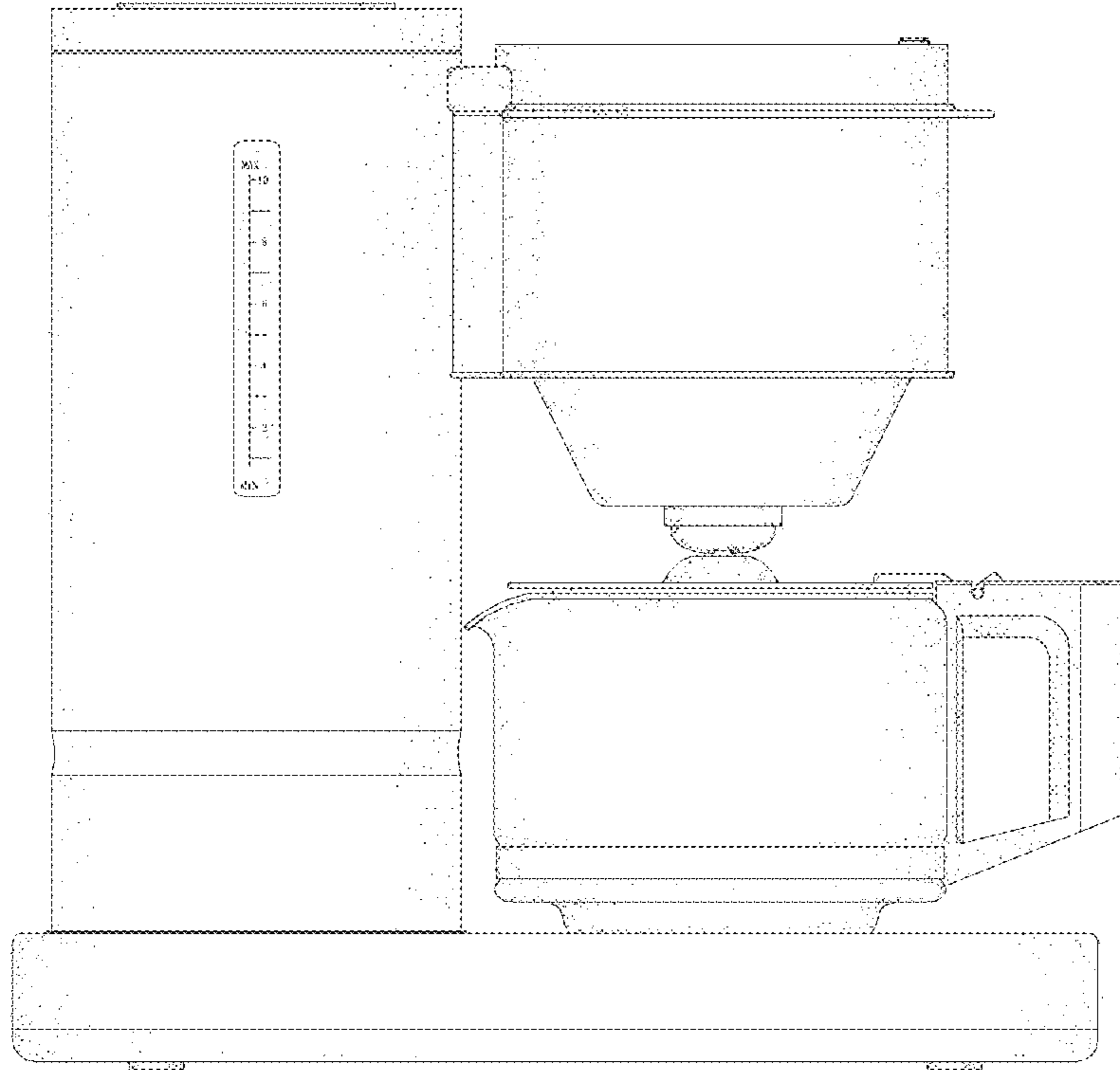


Fig.3

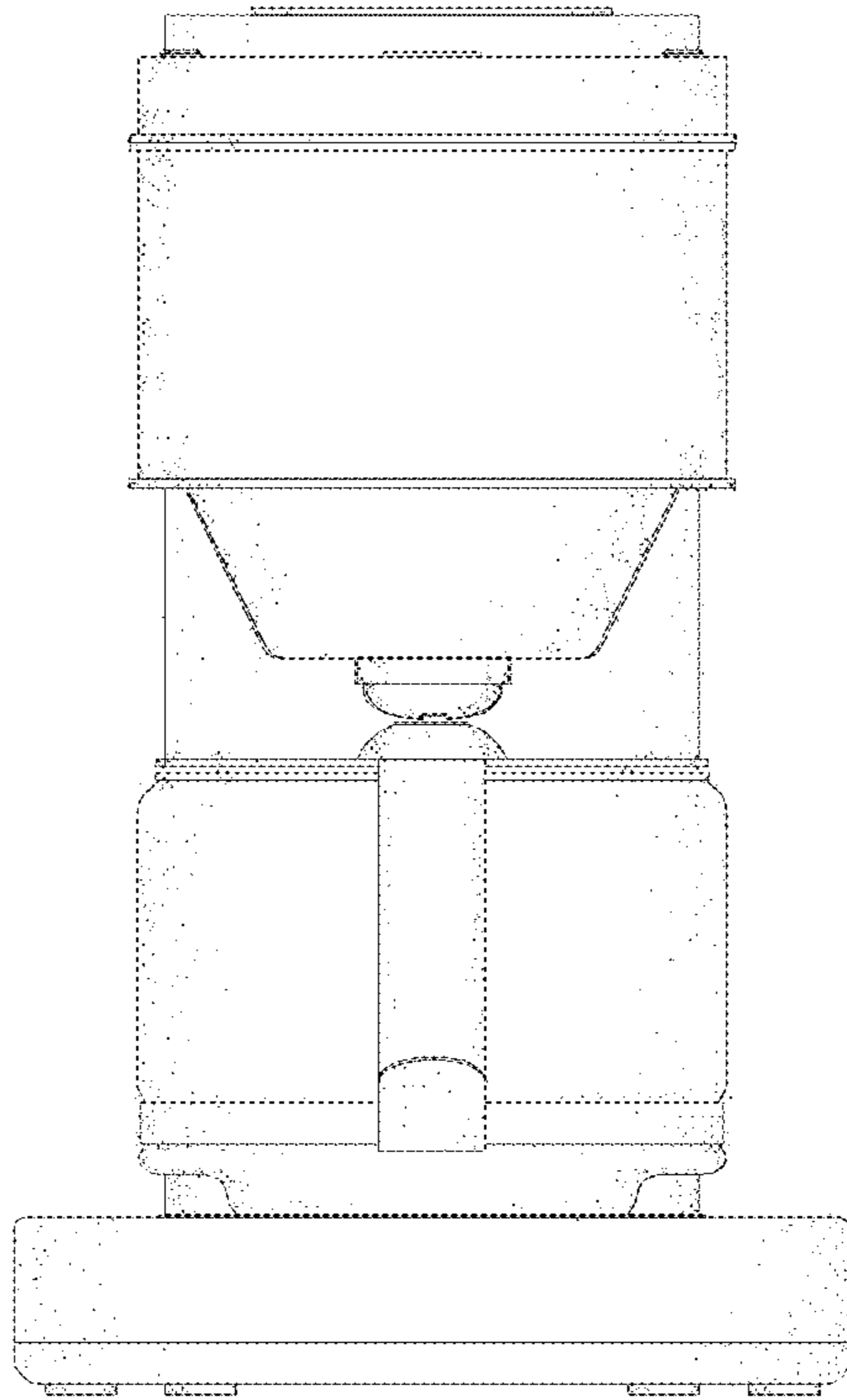


Fig.4

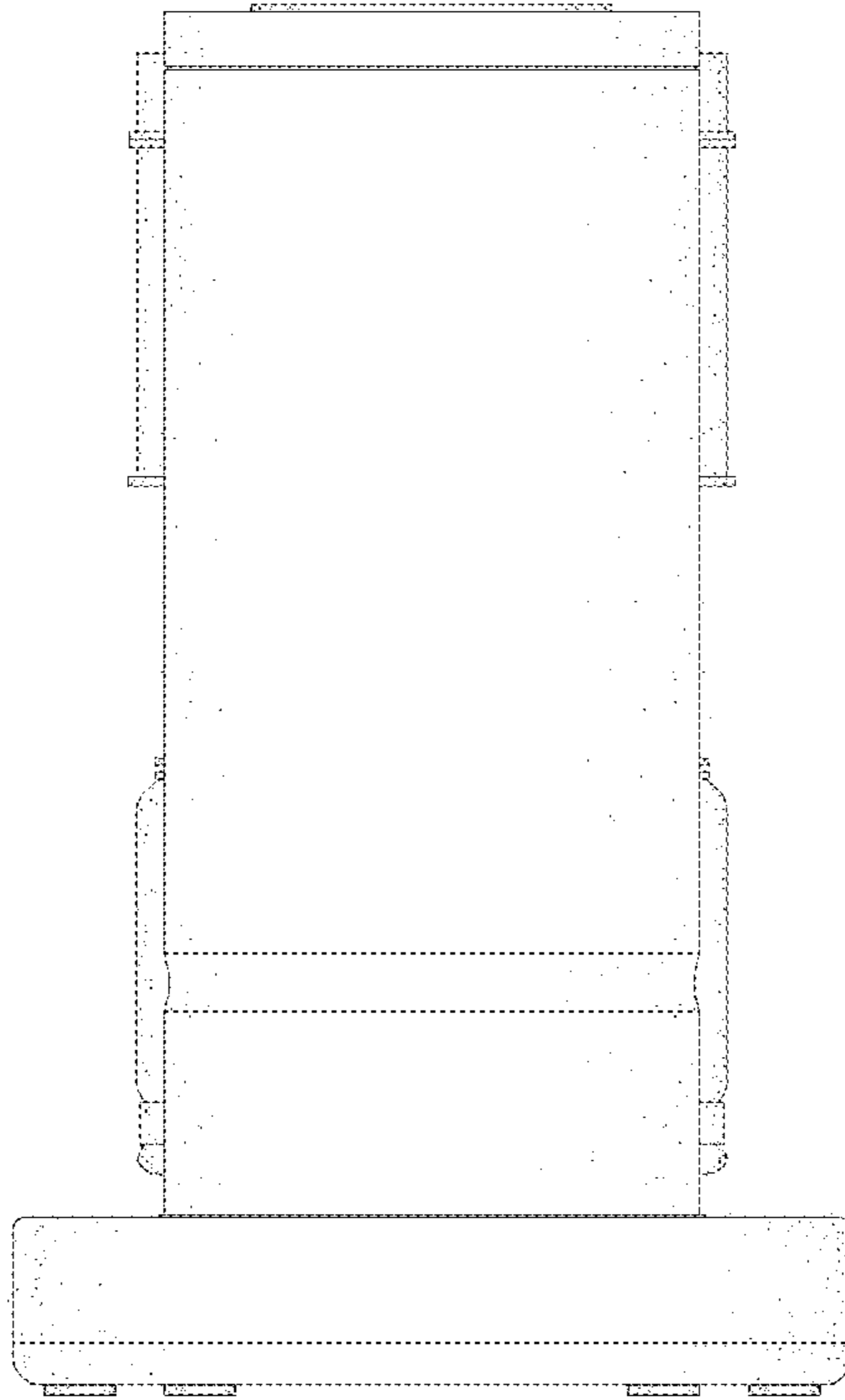


Fig.5

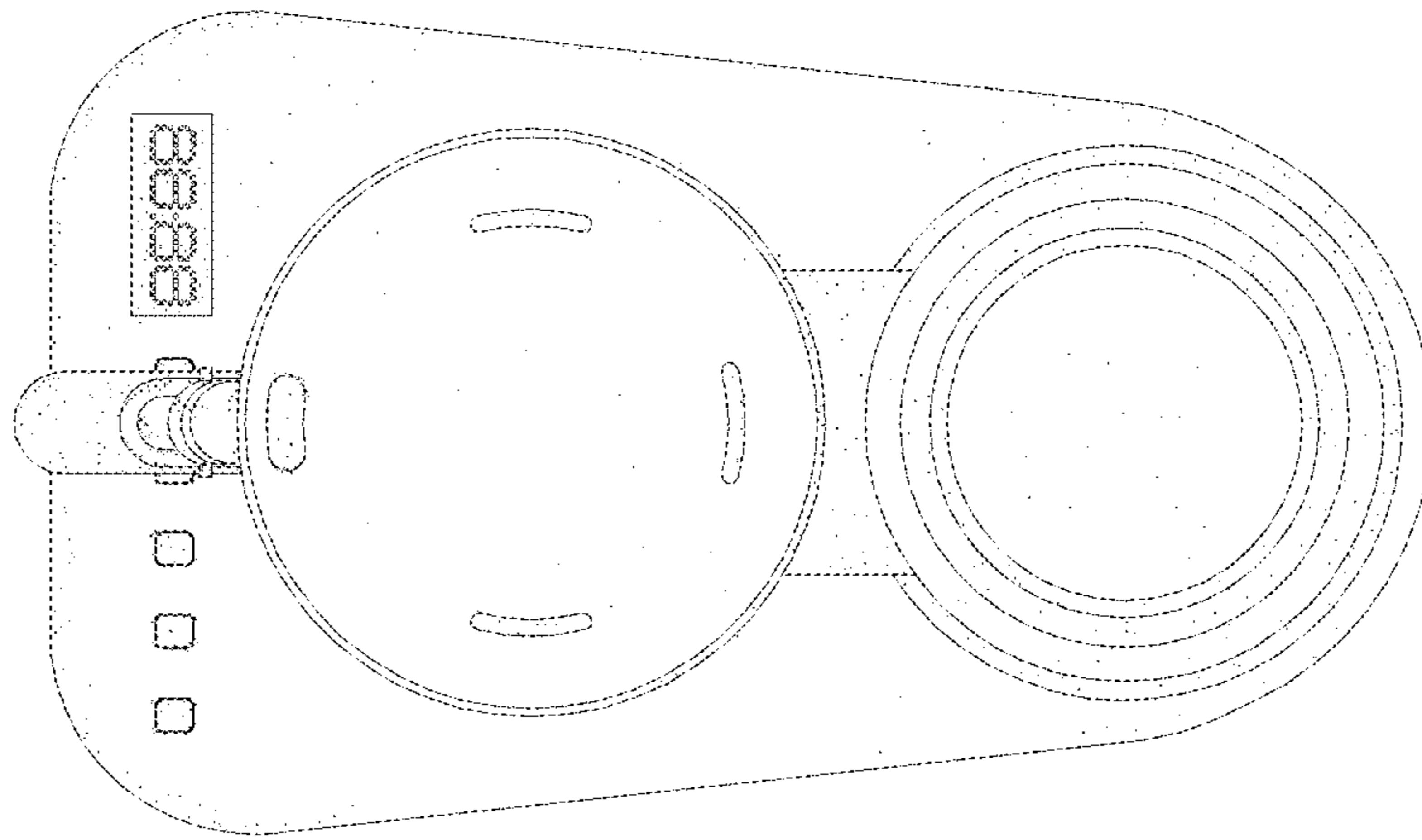


Fig.6

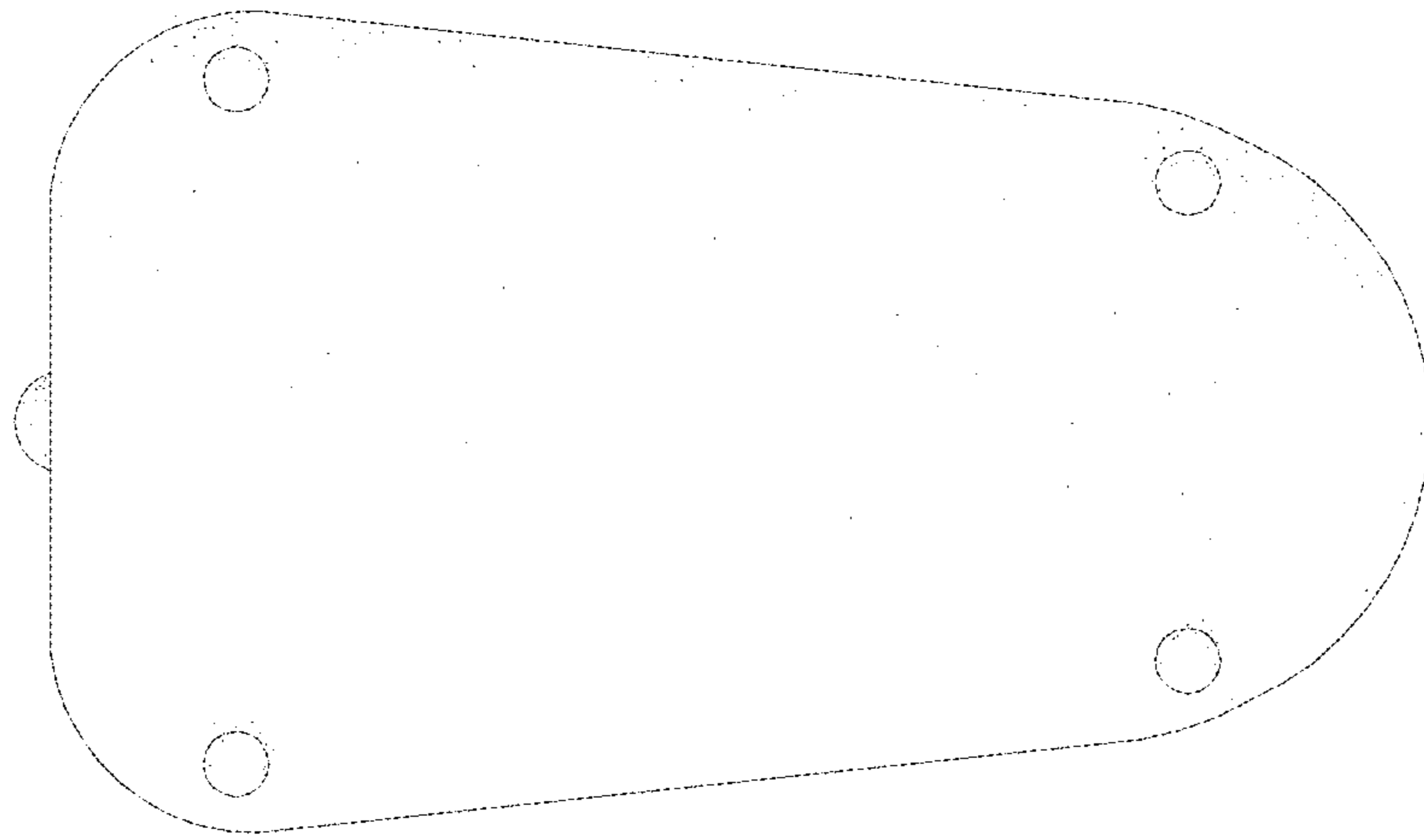


Fig.7