



US00D816381S

(12) **United States Design Patent** (10) **Patent No.:** **US D816,381 S**
Su (45) **Date of Patent:** **** May 1, 2018**

(54) **CHAIR ARMREST**

D699,061 S * 2/2014 Smith D6/716.2
D775,846 S * 1/2017 Tsai D6/366

(71) Applicant: **Tung-Hua Su**, Tainan (CN)

* cited by examiner

(72) Inventor: **Tung-Hua Su**, Tainan (CN)

Primary Examiner — Mimoso De

(**) Term: **15 Years**

(74) *Attorney, Agent, or Firm* — Alan D. Kamrath;
Kamrath IP Lawfirm, P.A.

(21) Appl. No.: **29/601,317**

(57) **CLAIM**

(22) Filed: **Apr. 21, 2017**

The ornamental design for a chair armrest, as shown and described.

(51) **LOC (11) Cl.** **06-01**

(52) **U.S. Cl.**

DESCRIPTION

USPC **D6/716.2**

(58) **Field of Classification Search**

USPC D6/334-336, 366, 367, 374, 379, 380,

D6/716, 716.1, 716.2, 716.3, 716.4

CPC .. A47C 1/03; A47C 7/022; A47C 7/16; A47C

7/282; A47C 7/40; A47C 7/54; A47C

7/543; A47C 7/546; B60N 2/46

See application file for complete search history.

FIG. 1 is a perspective view of the chair armrest showing my new design;

FIG. 2 is a front elevation view thereof;

FIG. 3 is a rear elevation view thereof;

FIG. 4 is a left side elevation view thereof;

FIG. 5 is a right side elevation view thereof;

FIG. 6 is a top plan view thereof; and,

FIG. 7 is a bottom plan view thereof.

The broken lines shown are included for purposes of illustrating unclaimed portions of the article and form no part of the claimed design.

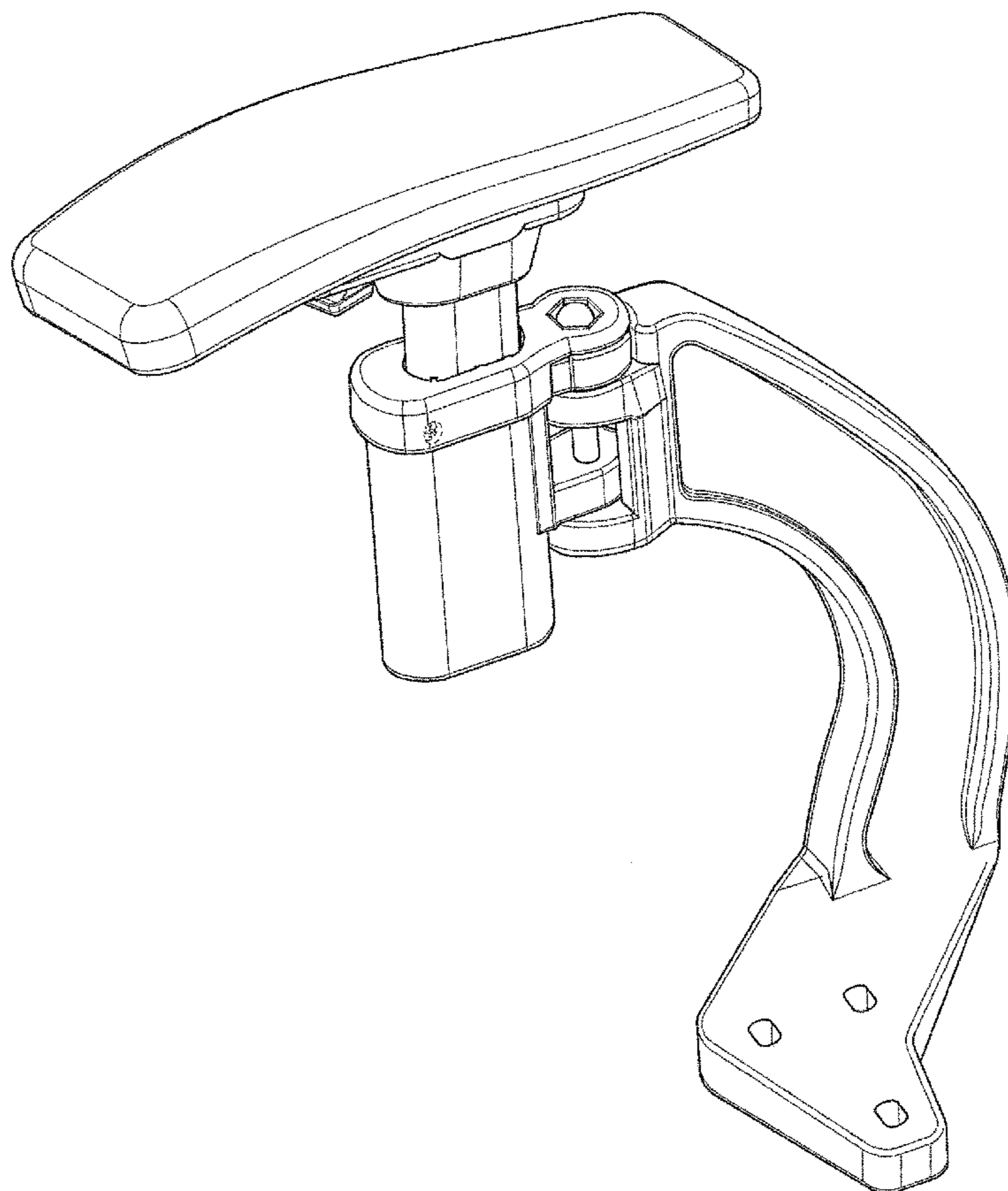
(56) **References Cited**

U.S. PATENT DOCUMENTS

D488,333 S * 4/2004 Su D6/716.2

D543,389 S * 5/2007 Mazzera D6/366

1 Claim, 7 Drawing Sheets



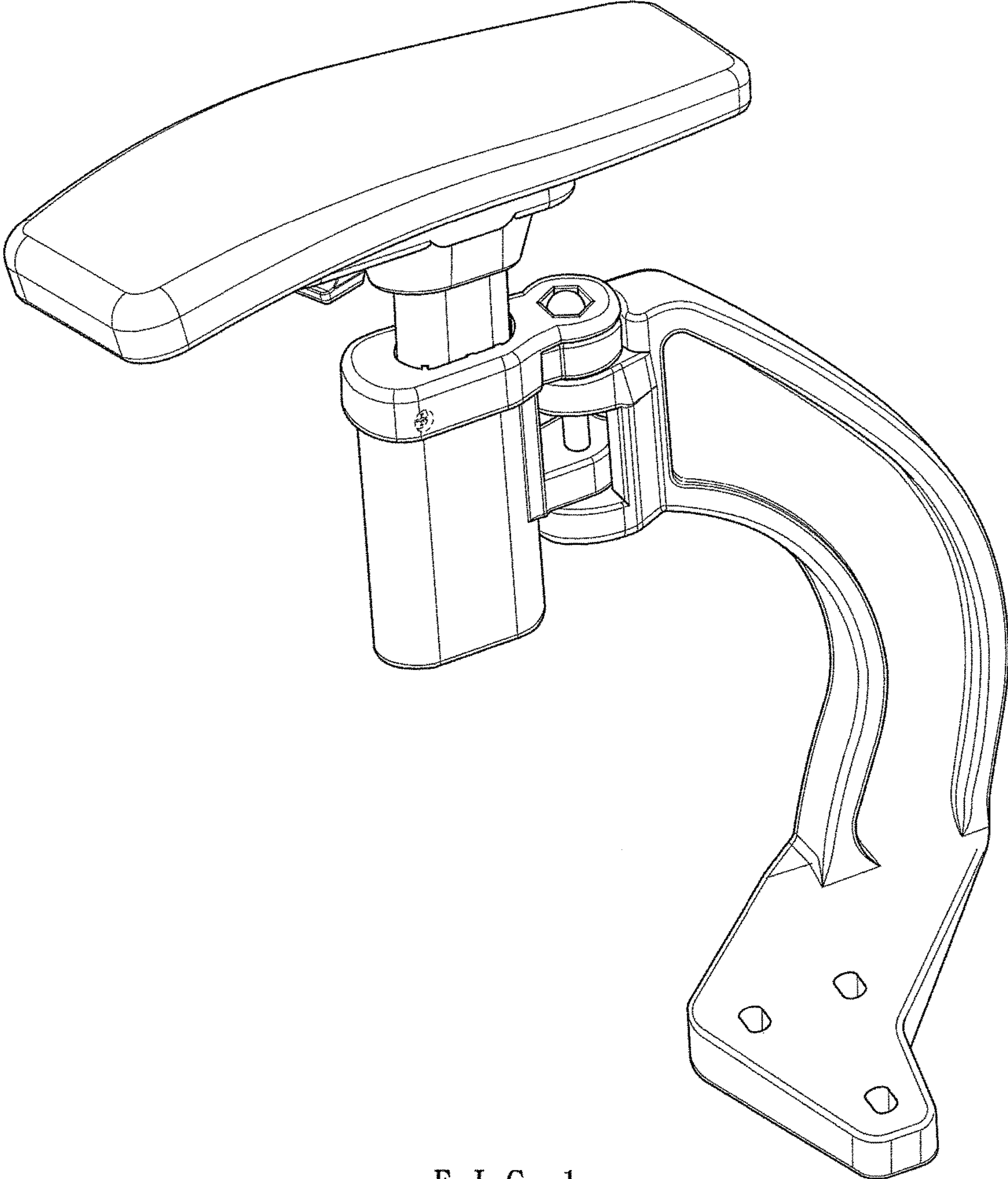


FIG. 1

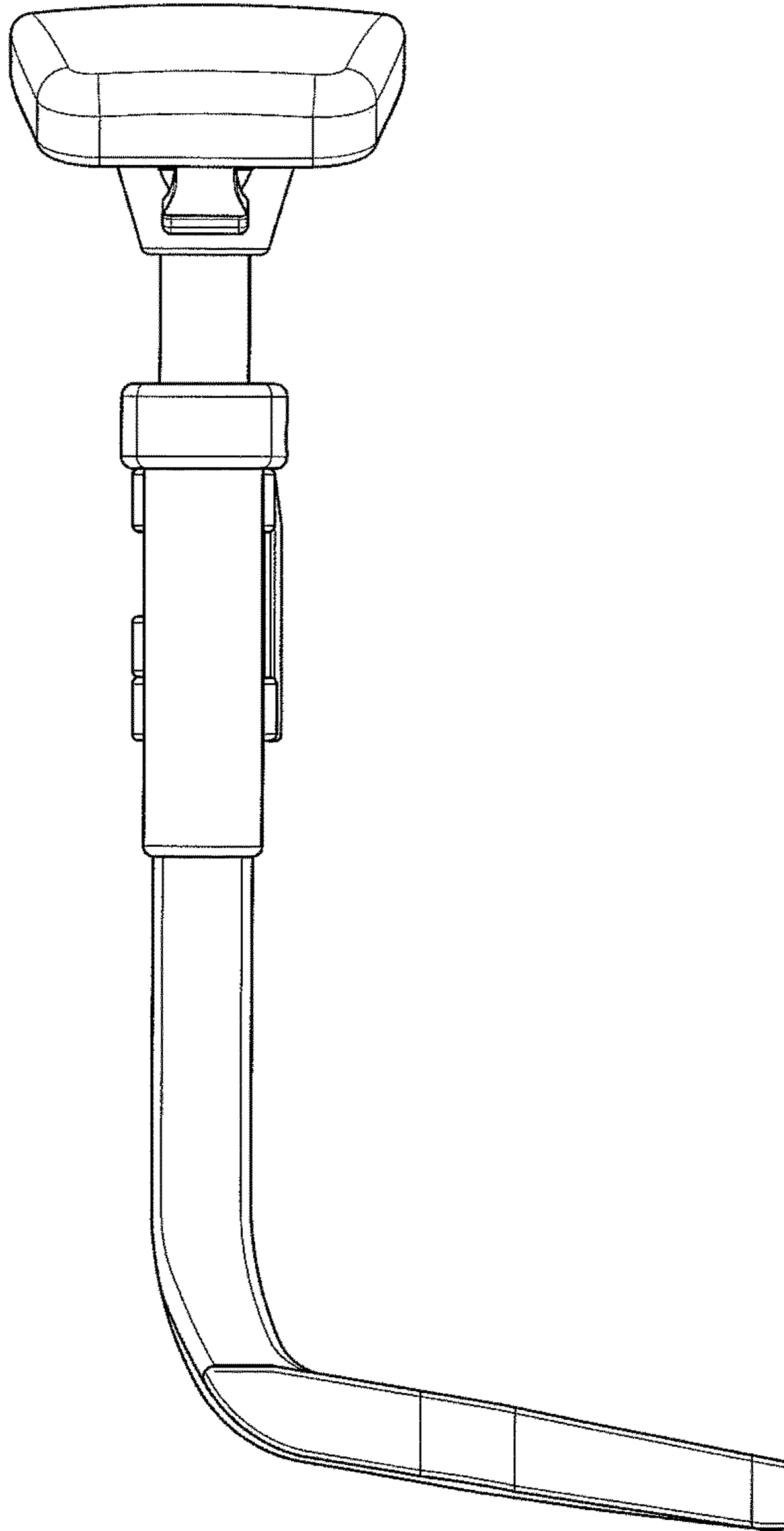


FIG. 2

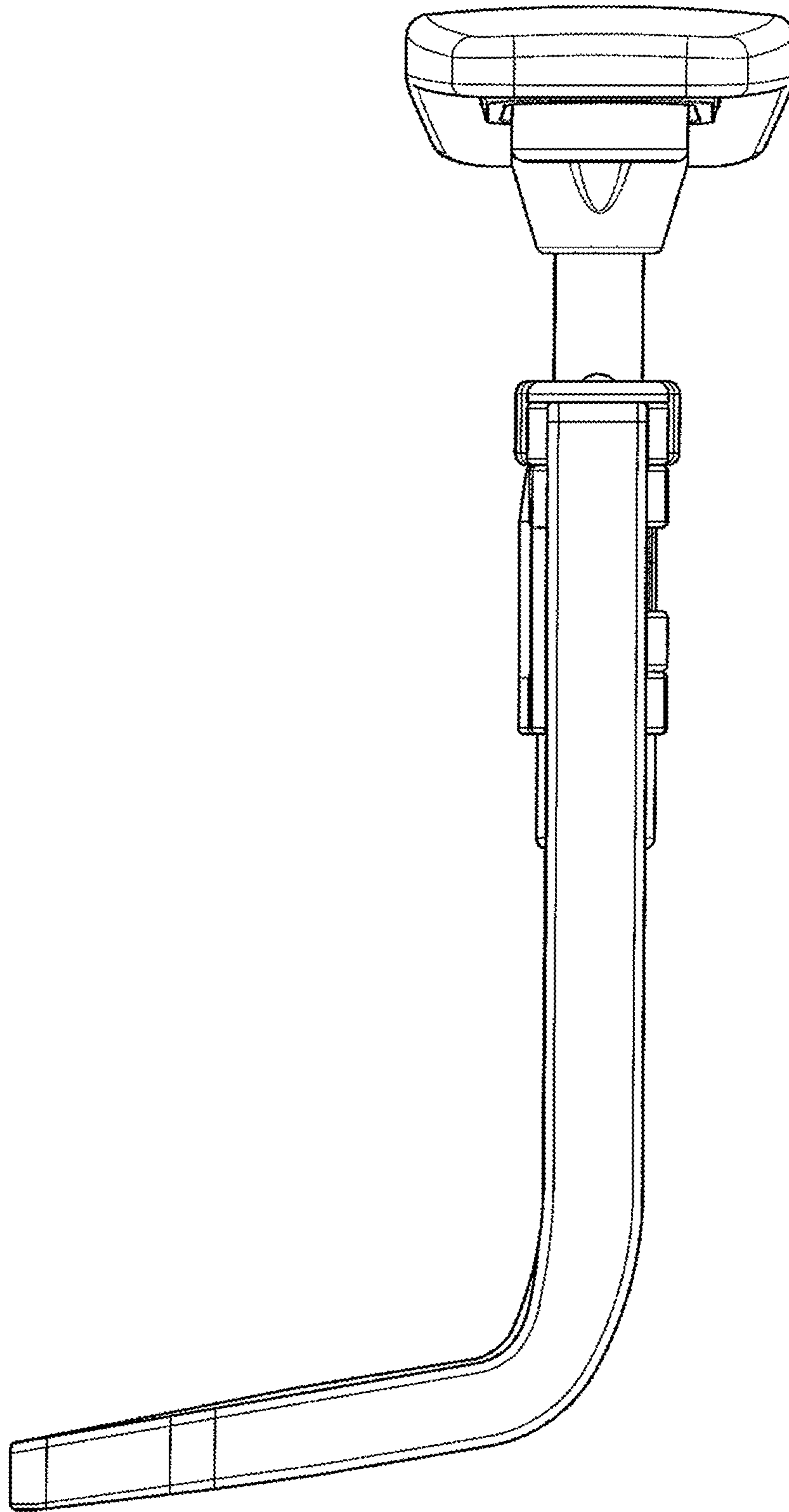
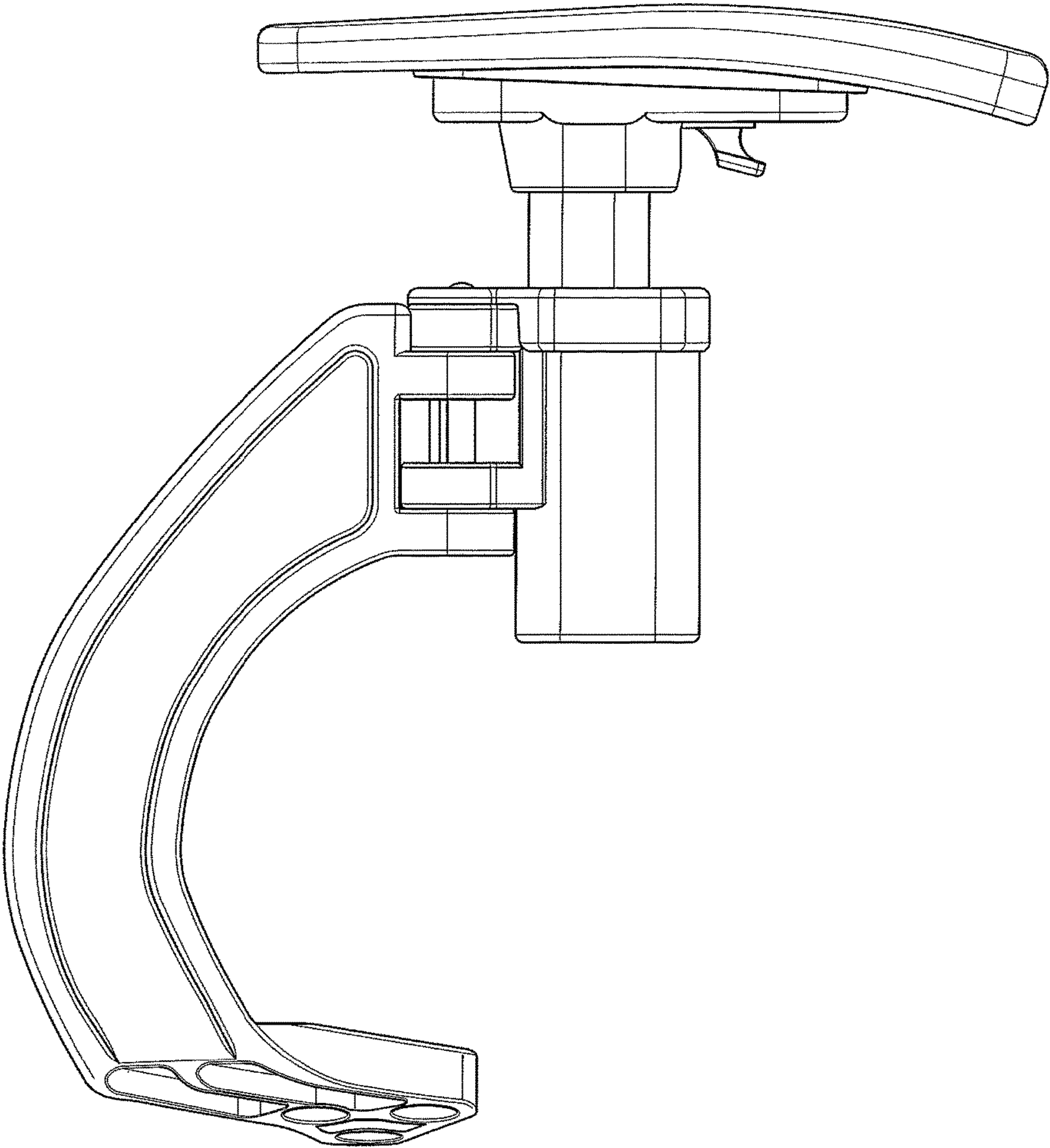


FIG. 3



F I G . 4

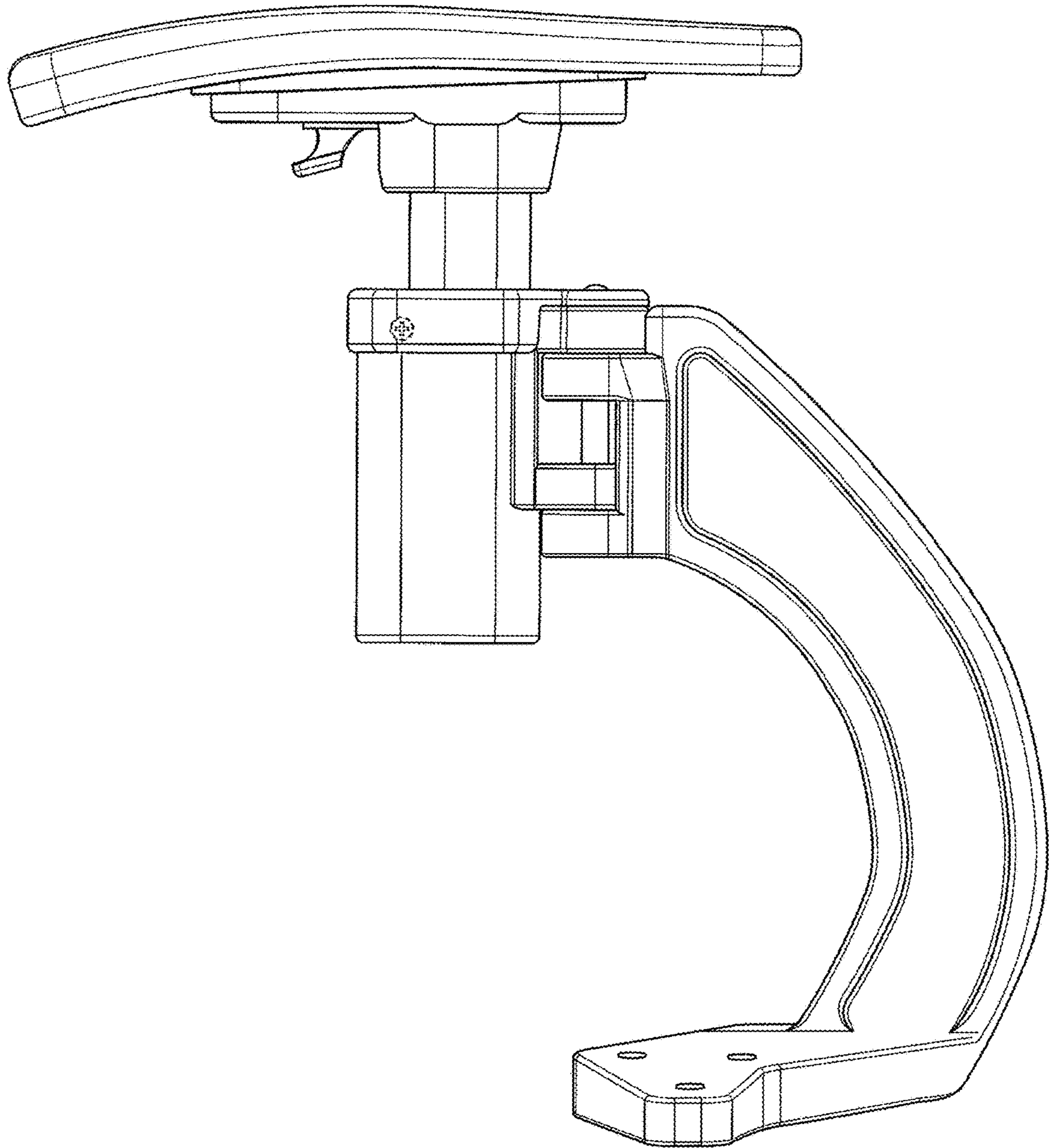
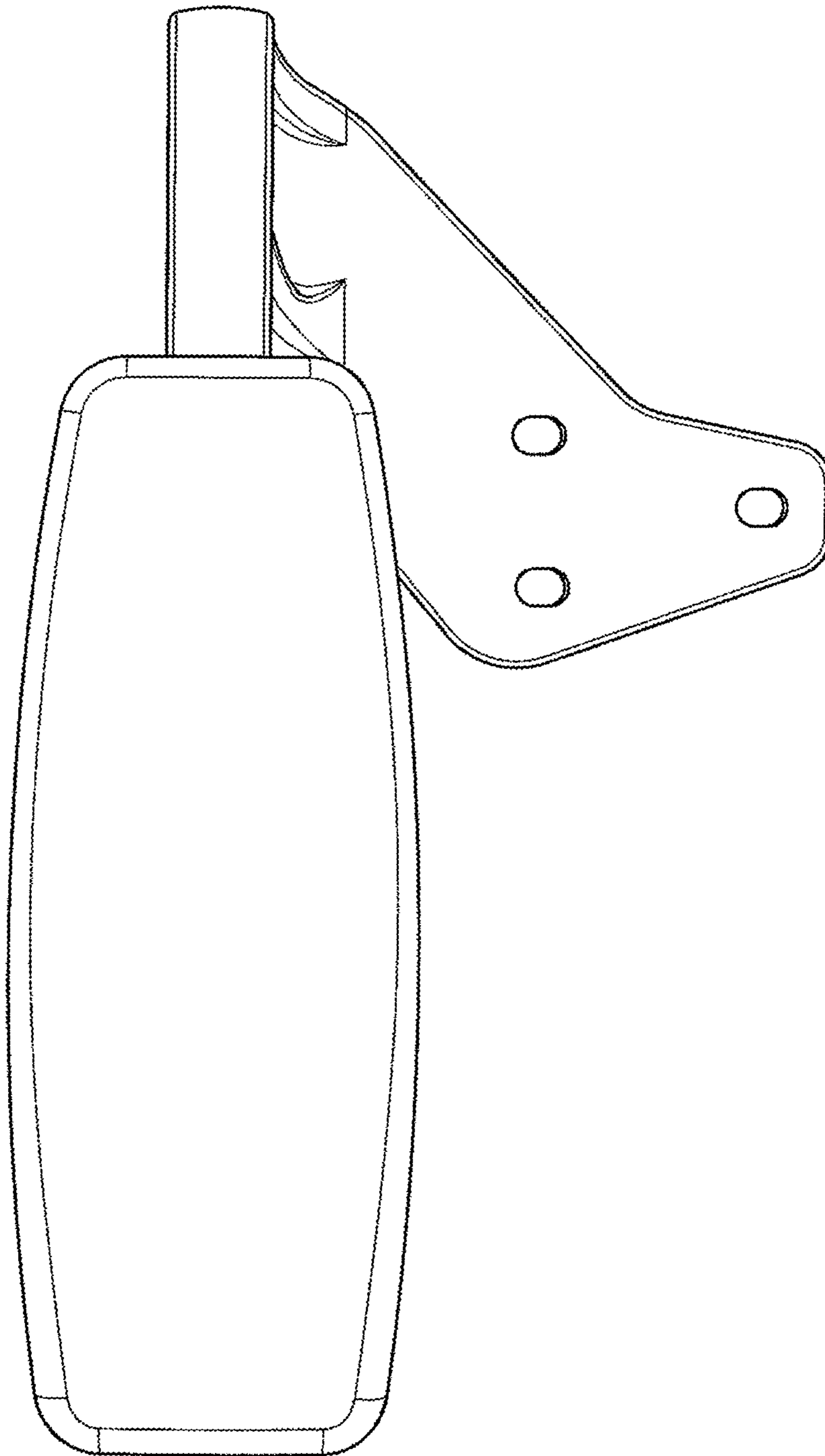


FIG. 5



F I G . 6

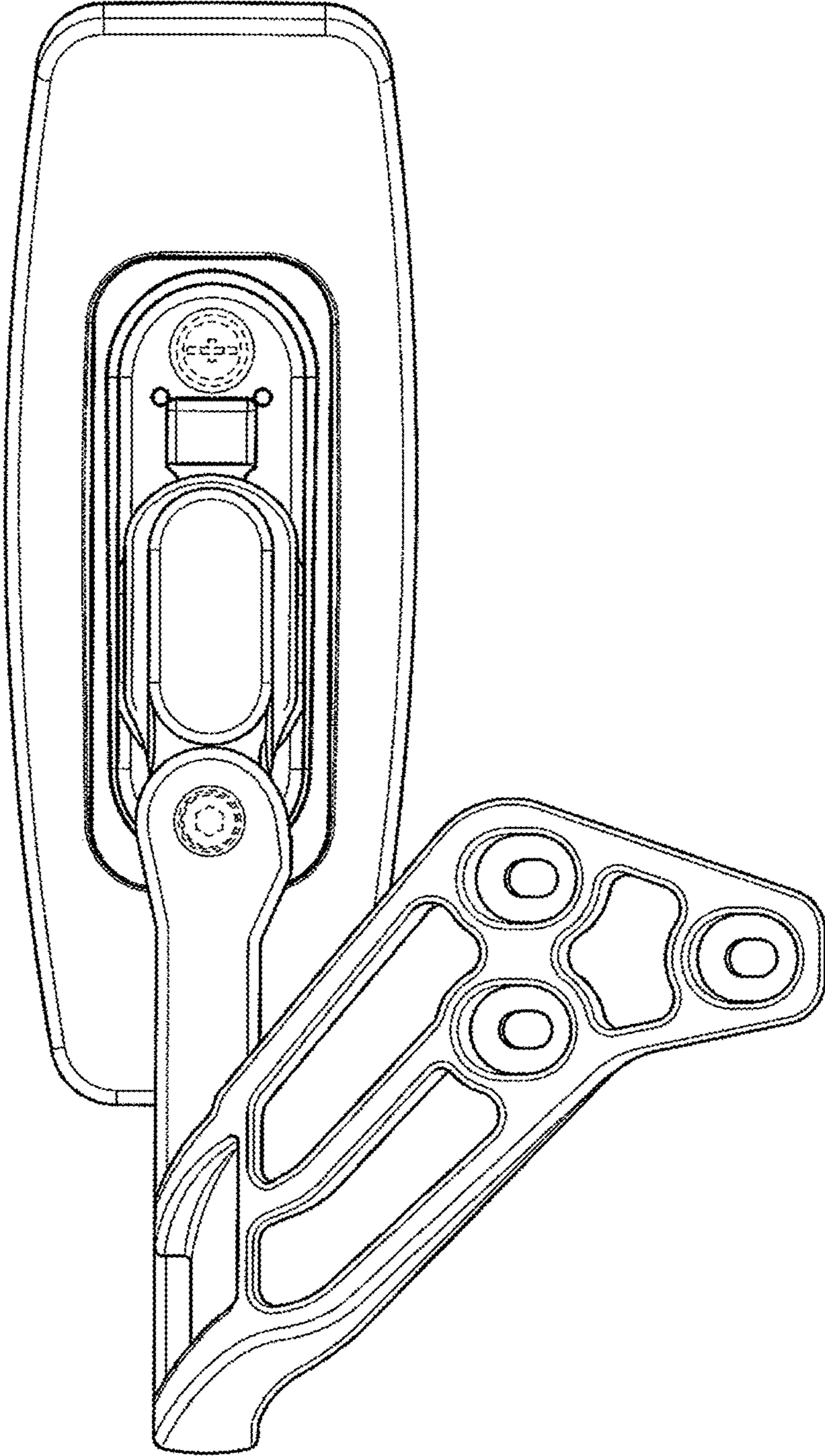


FIG. 7