



US00D816379S

(12) **United States Design Patent**
Wu

(10) **Patent No.:** **US D816,379 S**

(45) **Date of Patent:** **** May 1, 2018**

(54) **FOLDING TABLE**

(71) Applicant: **Yao-Chuan Wu**, Chiayi Hsien (TW)

(72) Inventor: **Yao-Chuan Wu**, Chiayi Hsien (TW)

(**) Term: **15 Years**

(21) Appl. No.: **29/574,211**

(22) Filed: **Aug. 12, 2016**

(51) **LOC (11) Cl.** **06-03**

(52) **U.S. Cl.**
USPC **D6/686**

(58) **Field of Classification Search**
USPC D6/406.3, 671, 677, 686, 687, 690, 691,
D6/691.1, 691.2, 691.3, 691.4, 691.5,
D6/693, 689, 691.9, 695, 695.2
CPC A47B 7/00; A47B 13/08; A47B 13/10;
A47B 21/00; A47B 2009/006; A47B
11/00; A47B 2200/002

See application file for complete search history.

(56) **References Cited**

U.S. PATENT DOCUMENTS

D221,672 S *	8/1971	Kalilich	D21/799.2
D266,036 S *	9/1982	Teves	D6/686
D269,753 S *	7/1983	Offredi	D6/686
4,537,646 A *	8/1985	Hoyle	B29C 63/04 156/212
5,692,815 A *	12/1997	Murphy	G06F 3/0395 108/26
D406,964 S *	3/1999	Lewis	D6/349
D447,893 S *	9/2001	Simonelli	D26/58
D512,245 S *	12/2005	Bean	D6/406.3
D513,131 S *	12/2005	Nelson	D6/335

D517,833 S *	3/2006	Jennings	D6/406.5
D583,163 S *	12/2008	Jennings	D6/406.6
D606,788 S *	12/2009	Goldberg	D6/705
D619,823 S *	7/2010	Jennings	D6/406.3
D663,546 S *	7/2012	Jennings	D6/406.3
D681,973 S *	5/2013	Gibbs	D6/686
D701,089 S *	3/2014	Lee	D7/554.3
D720,152 S *	12/2014	Chauss	D6/406.3
D731,200 S *	6/2015	Andersen	D6/406.3
D736,549 S *	8/2015	Andersen	D6/685
D737,829 S *	9/2015	Lee	D14/447
D775,860 S *	1/2017	Morgan	D6/555
D778,653 S *	2/2017	Spoelhof	D6/707.22

* cited by examiner

Primary Examiner — Mary Ann Calabrese

Assistant Examiner — Sloan Rozin

(74) *Attorney, Agent, or Firm* — WPAT, PC

(57) **CLAIM**

The ornamental design for a folding table, as shown and described.

DESCRIPTION

FIG. 1 is a perspective view of a folding table, showing my new design;

FIG. 2 is a front view thereof;

FIG. 3 is a rear view thereof;

FIG. 4 is a left side view thereof;

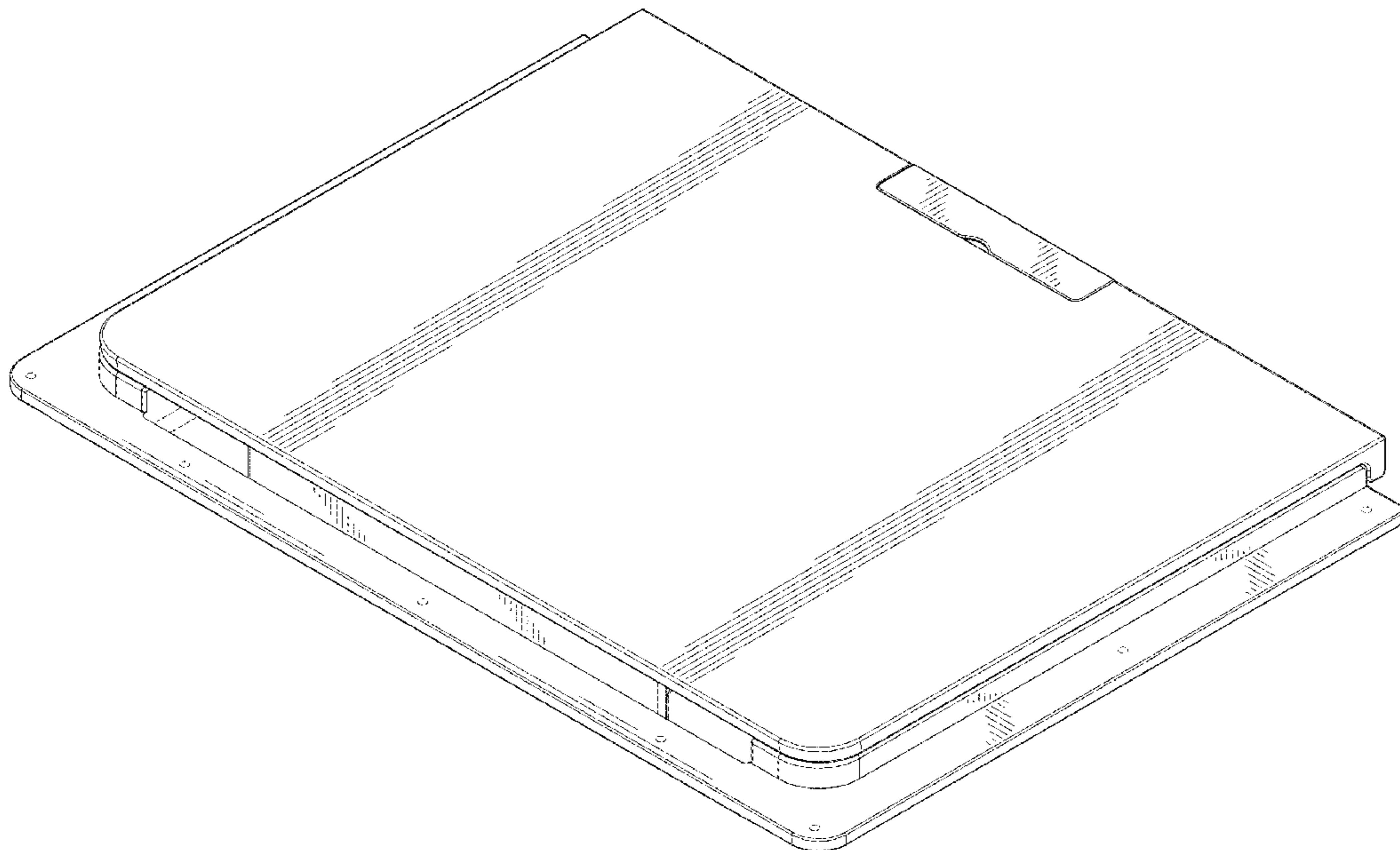
FIG. 5 is a right side view thereof;

FIG. 6 is a top view thereof; and,

FIG. 7 is a bottom view thereof.

The broken line showing of elements on the folding table illustrates portions of the article and forms no part of the claimed design.

1 Claim, 5 Drawing Sheets



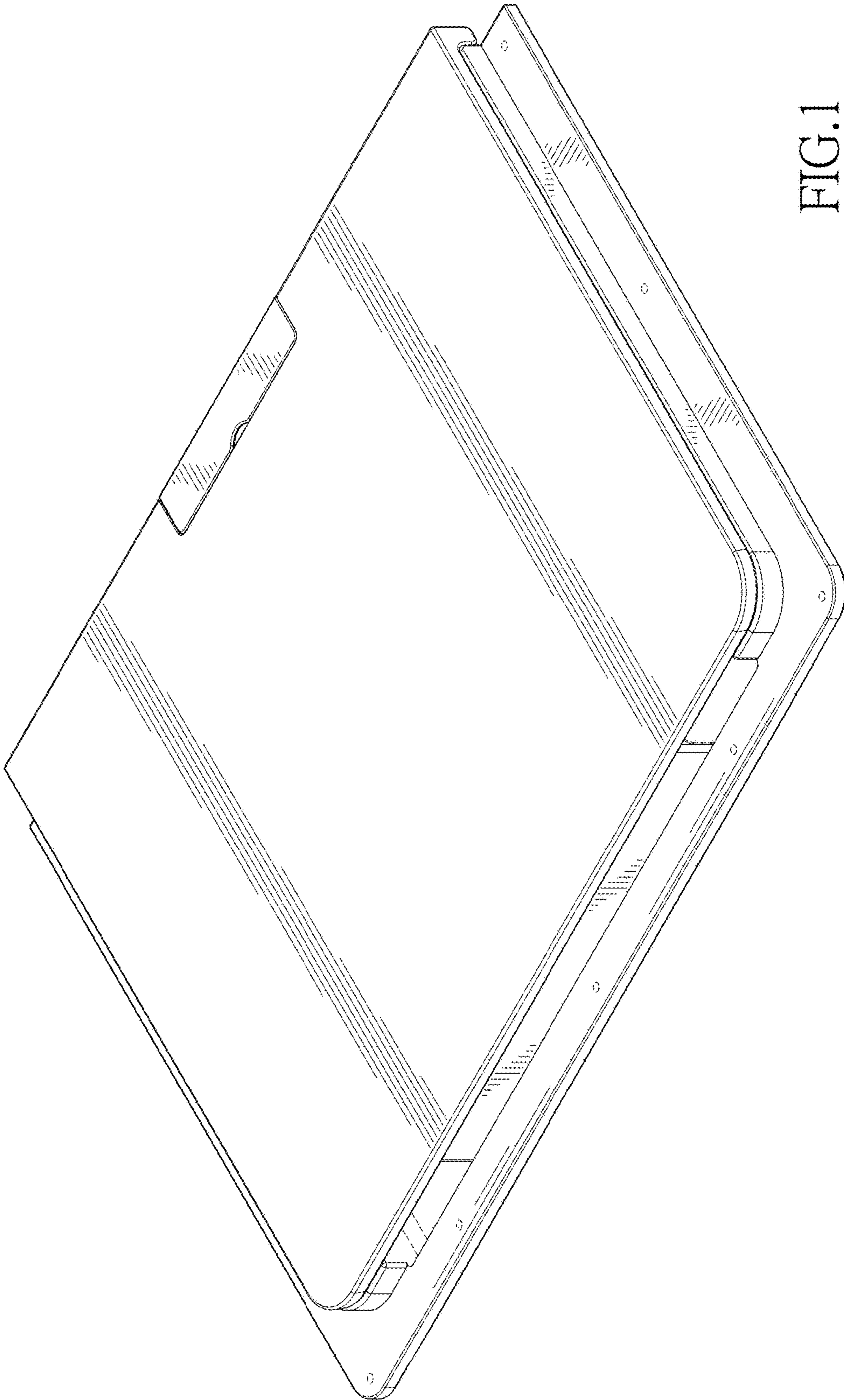


FIG.1

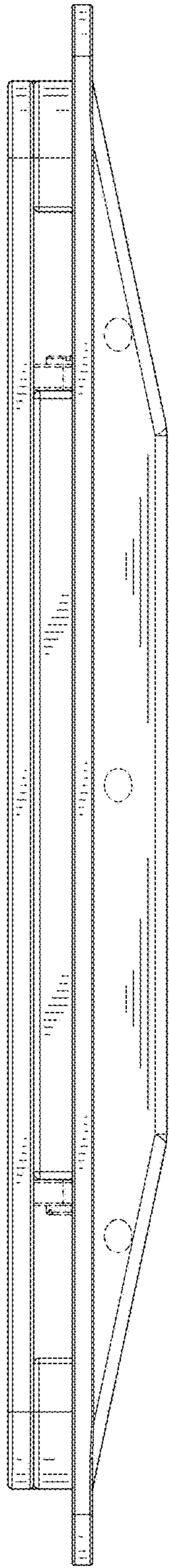


FIG. 2

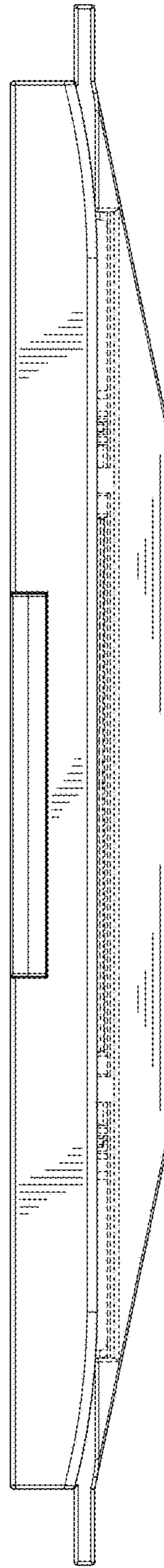


FIG. 3

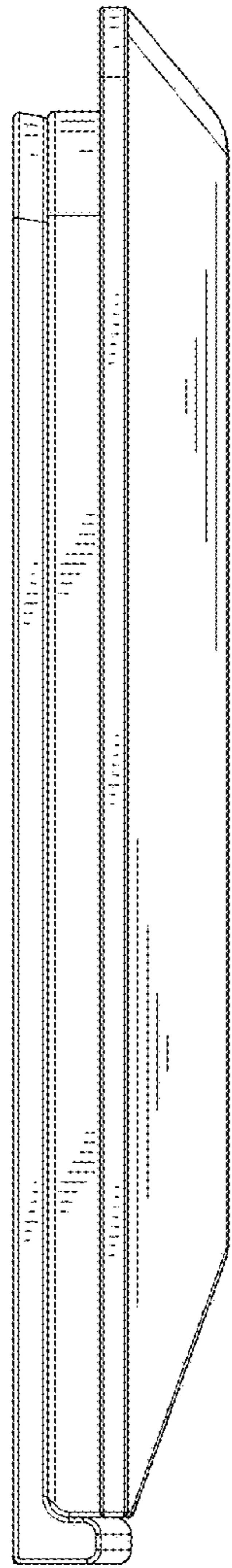


FIG.4

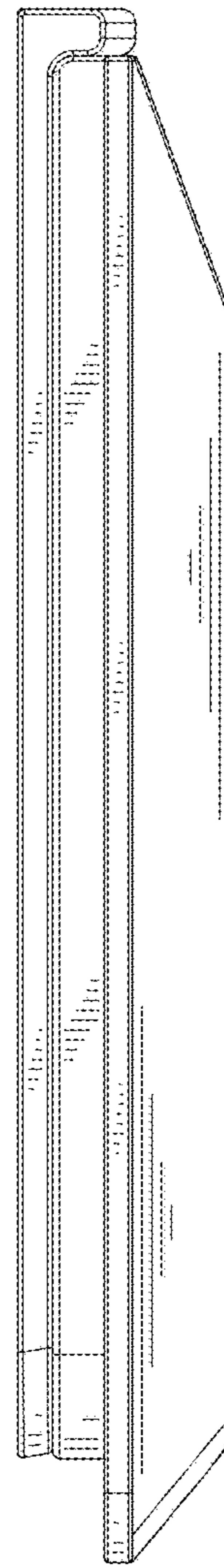


FIG.5

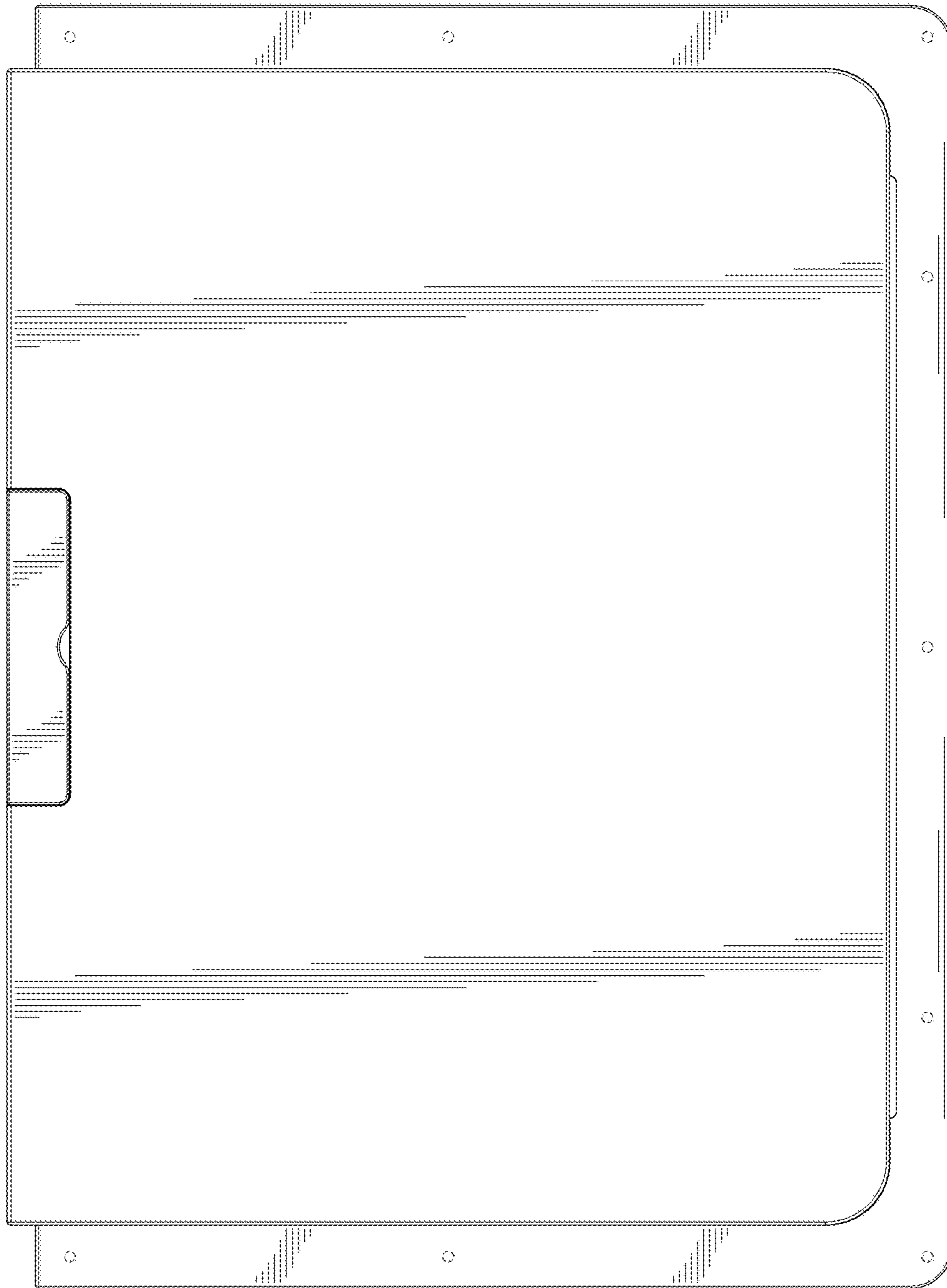


FIG.6

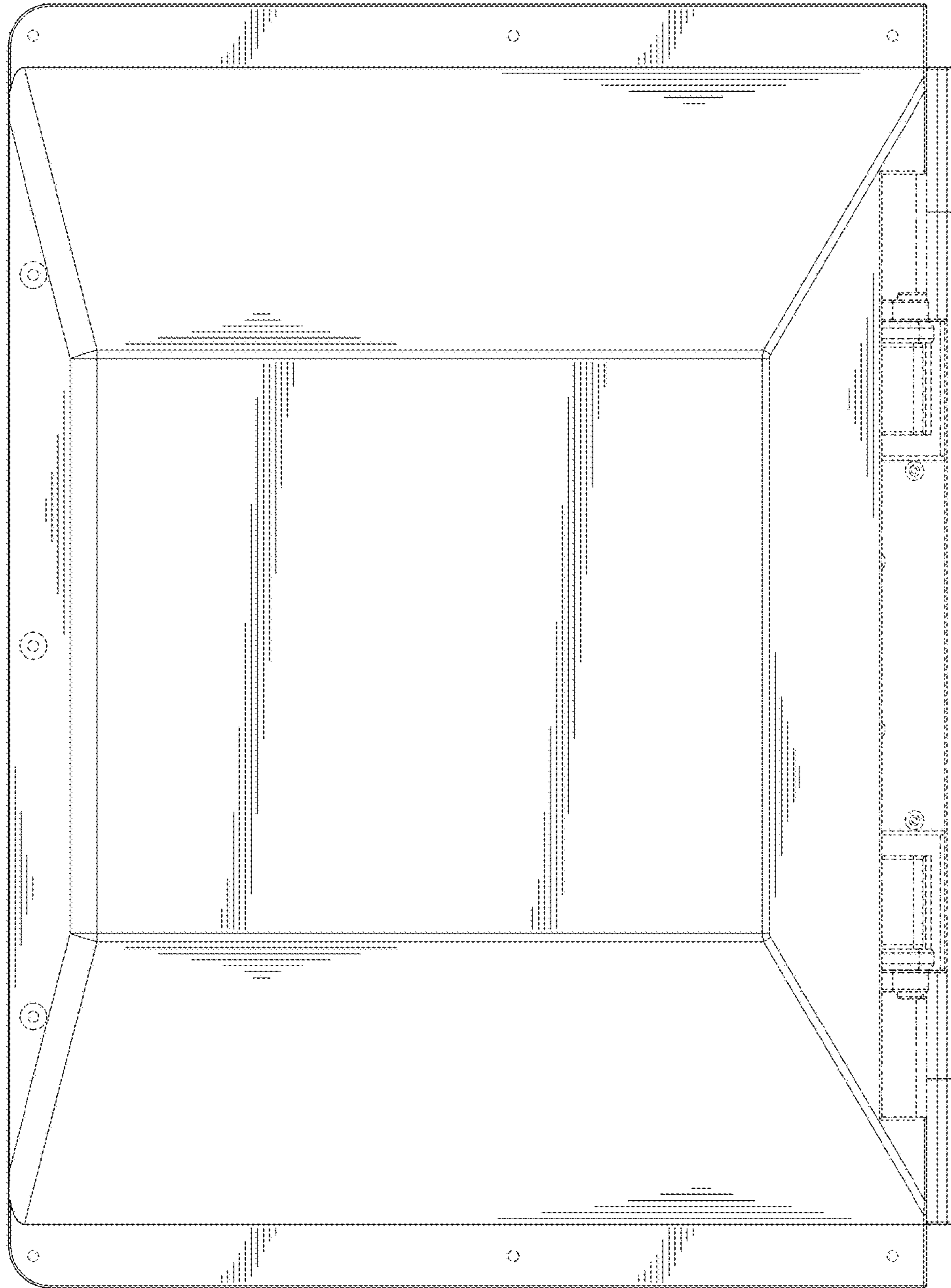


FIG. 7