



US00D816378S

(12) **United States Design Patent** (10) **Patent No.:** **US D816,378 S**  
**Ernst** (45) **Date of Patent:** **\*\* May 1, 2018**

(54) **TOOL STORAGE RACK**  
(71) Applicant: **Gregory R Ernst**, Eagle Creek, OR (US)  
(72) Inventor: **Gregory R Ernst**, Eagle Creek, OR (US)  
(\*\*) Term: **15 Years**  
(21) Appl. No.: **29/587,687**  
(22) Filed: **Dec. 15, 2016**  
(51) **LOC (11) Cl.** ..... **06-06**  
(52) **U.S. Cl.**  
USPC ..... **D6/683.1**  
(58) **Field of Classification Search**  
USPC ..... D6/672, 673, 675, 675.1, 682, 682.1, D6/682.2, 683, 683.1; D3/304, 313, 314, D3/319  
CPC ..... A47B 81/00; A47B 81/04; A47B 63/00; A47F 5/0018; A47F 5/0025; A47F 7/0057; A47F 7/0014  
See application file for complete search history.

D313,520 S \* 1/1991 Block ..... D19/90  
D335,976 S \* 6/1993 Brown ..... D3/319  
D341,376 S \* 11/1993 Feer ..... D19/75  
D385,922 S \* 11/1997 Tisbo ..... D19/75  
D395,569 S \* 6/1998 Hamada ..... D6/629  
D433,251 S \* 11/2000 Blazeovich ..... D6/629  
6,427,851 B1 \* 8/2002 Chang ..... A47B 63/00  
211/42  
D504,467 S \* 4/2005 Killinger ..... D19/90  
D663,912 S \* 7/2012 Le ..... D32/55  
D670,937 S \* 11/2012 Stravitz ..... D6/675.1  
D674,620 S \* 1/2013 Petrick ..... D6/407  
D687,893 S \* 8/2013 Chuang ..... D19/90  
D720,166 S \* 12/2014 Trindall ..... D6/683.1  
D720,401 S \* 12/2014 Lee ..... D19/90  
D766,629 S \* 9/2016 Barker ..... D6/683.1  
D793,715 S \* 8/2017 Mean ..... D3/203.1

\* cited by examiner

Primary Examiner — Kelley Donnelly  
(74) Attorney, Agent, or Firm — patenttm.us

(57) **CLAIM**

I claim the ornamental design for a tool storage rack, as shown and described.

**DESCRIPTION**

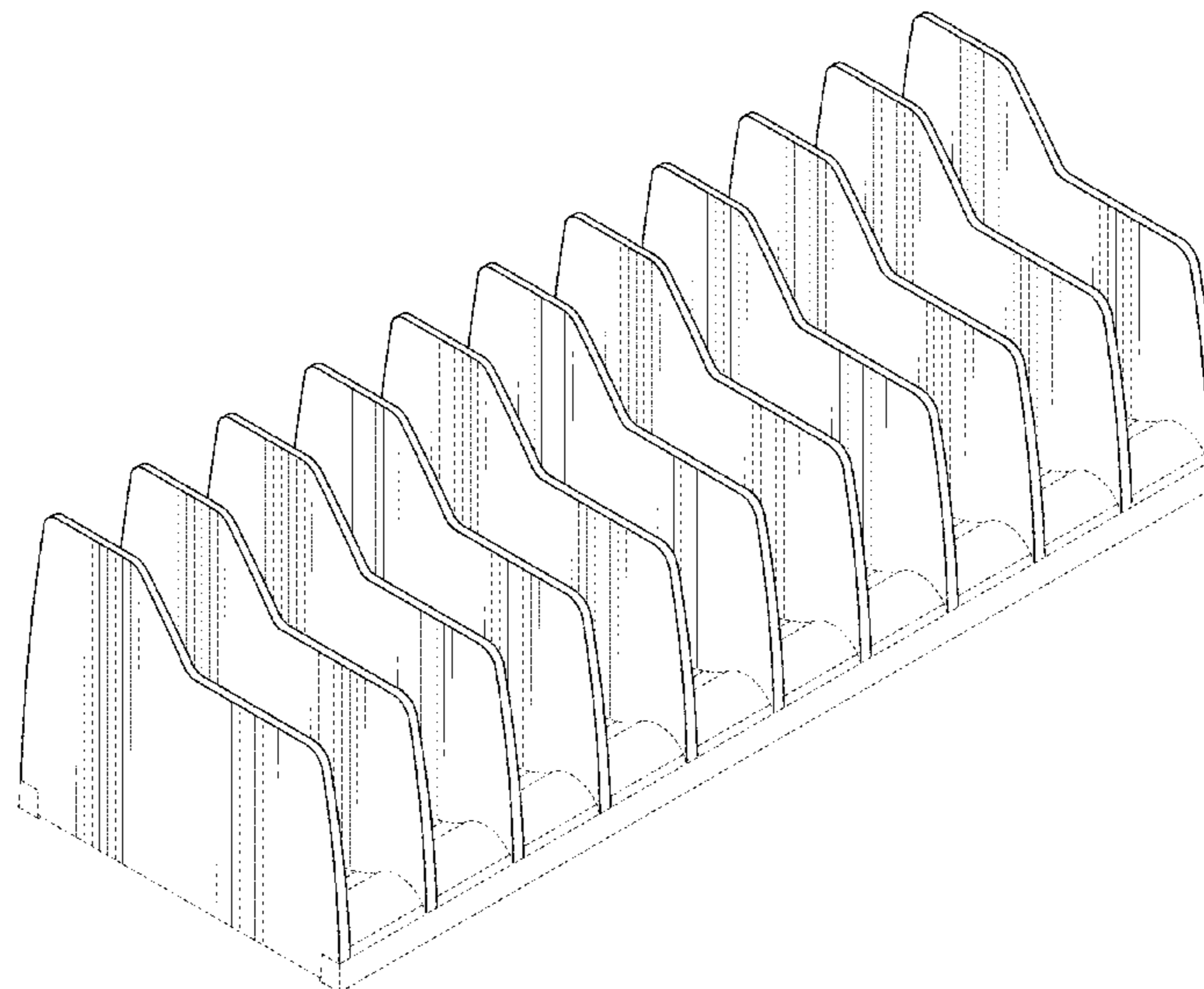
FIG. 1 is a perspective view of a tool storage rack, showing the new design;  
FIG. 2 is a bottom view of the design of FIG. 1;  
FIG. 3 is a top view of the design of FIG. 1;  
FIG. 4 is a left side view of the design of FIG. 1;  
FIG. 5 is a right side view of the design of FIG. 1;  
FIG. 6 is a front elevational view of the design of FIG. 1; and,  
FIG. 7 is a rear elevational view of the design of FIG. 1.  
The broken lines depict portions of the tool storage rack in which the design is embodied that are not considered part of the claimed design.

**1 Claim, 6 Drawing Sheets**

(56) **References Cited**

**U.S. PATENT DOCUMENTS**

D104,956 S \* 6/1937 Baker ..... D19/90  
2,197,789 A \* 4/1940 Dalton ..... A47F 5/10  
211/184  
3,592,344 A \* 7/1971 Schade ..... A47B 47/00  
206/557  
D244,243 S \* 5/1977 Hegg ..... D6/683.1  
D253,444 S \* 11/1979 Mathus ..... D6/407  
4,684,027 A \* 8/1987 Wright ..... G11B 23/0236  
211/40  
D299,360 S \* 1/1989 Klodt ..... D19/75  
D299,478 S \* 1/1989 Klodt ..... D19/75  
4,909,398 A \* 3/1990 Santucci ..... A47F 7/147  
211/11  
D307,159 S \* 4/1990 Foran ..... D19/75



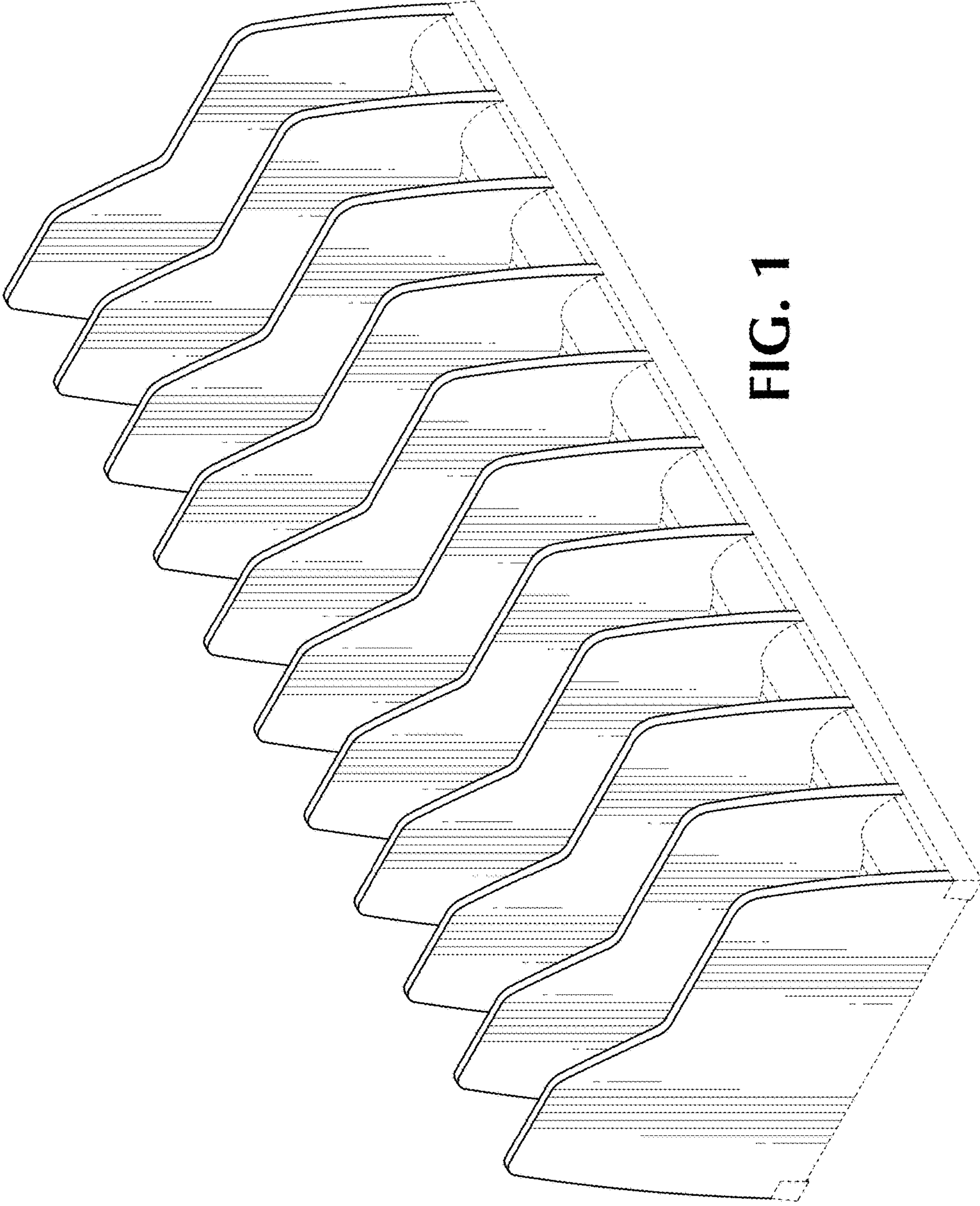


FIG. 1

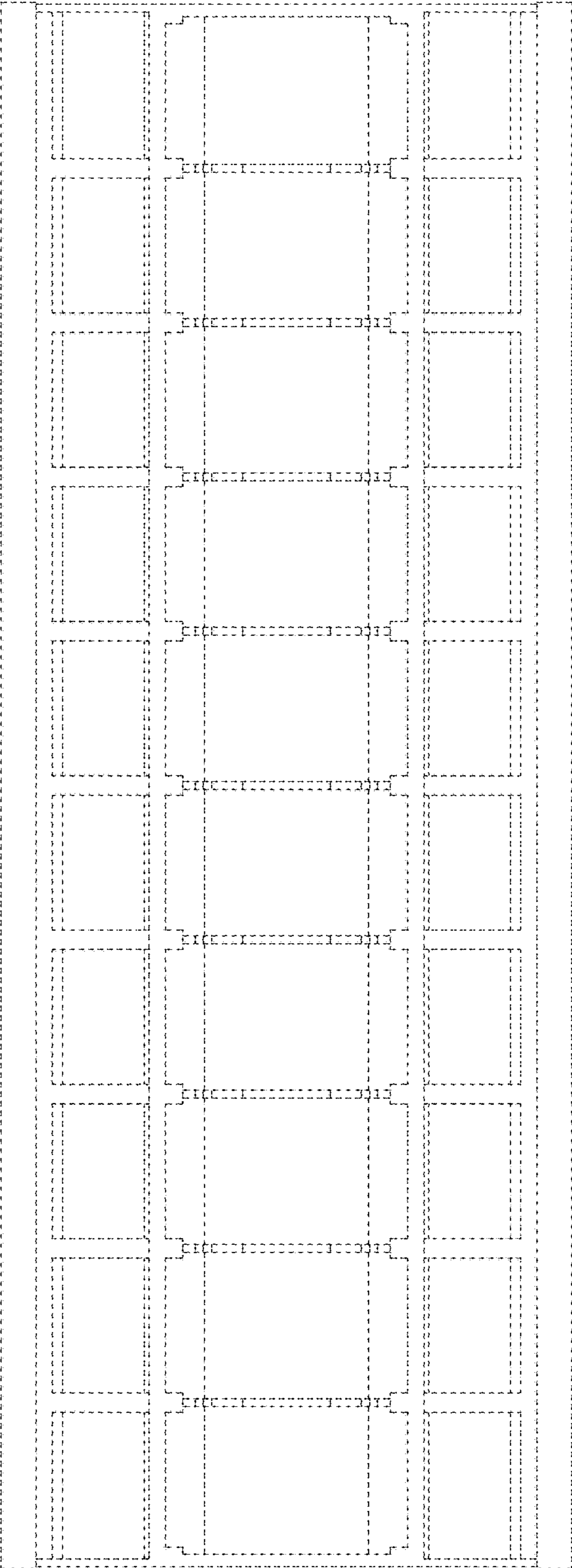


FIG. 2

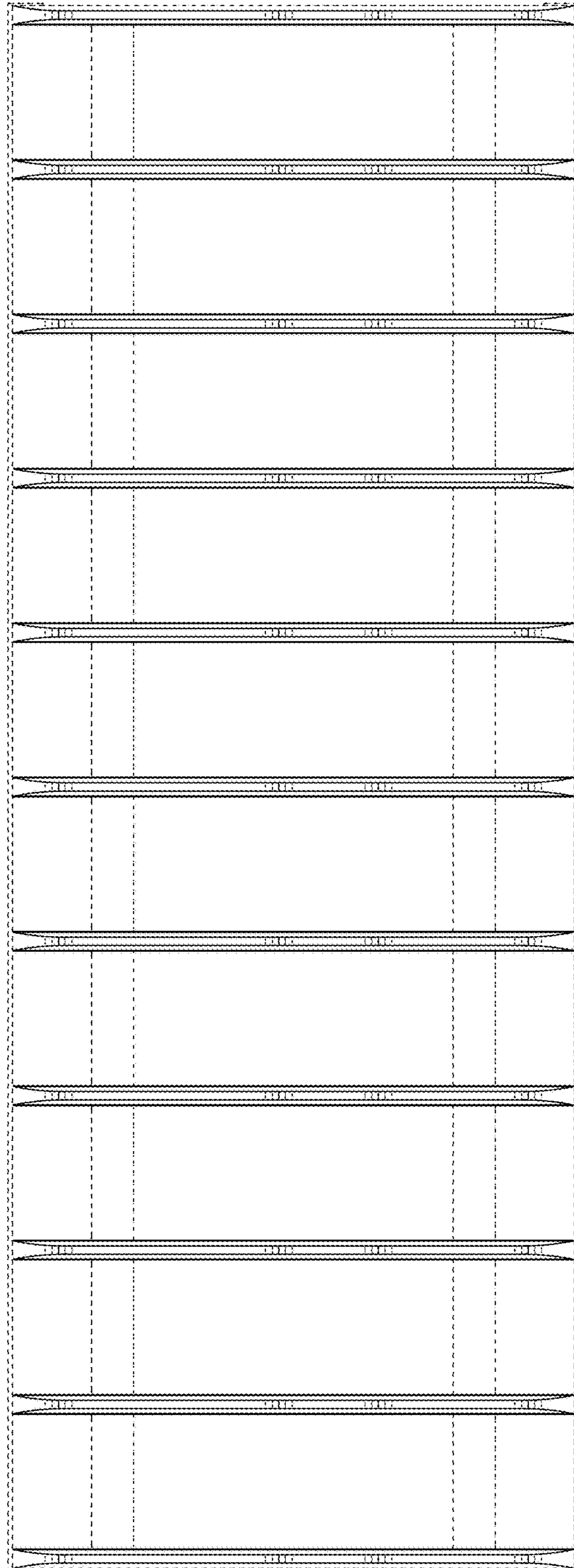


FIG. 3



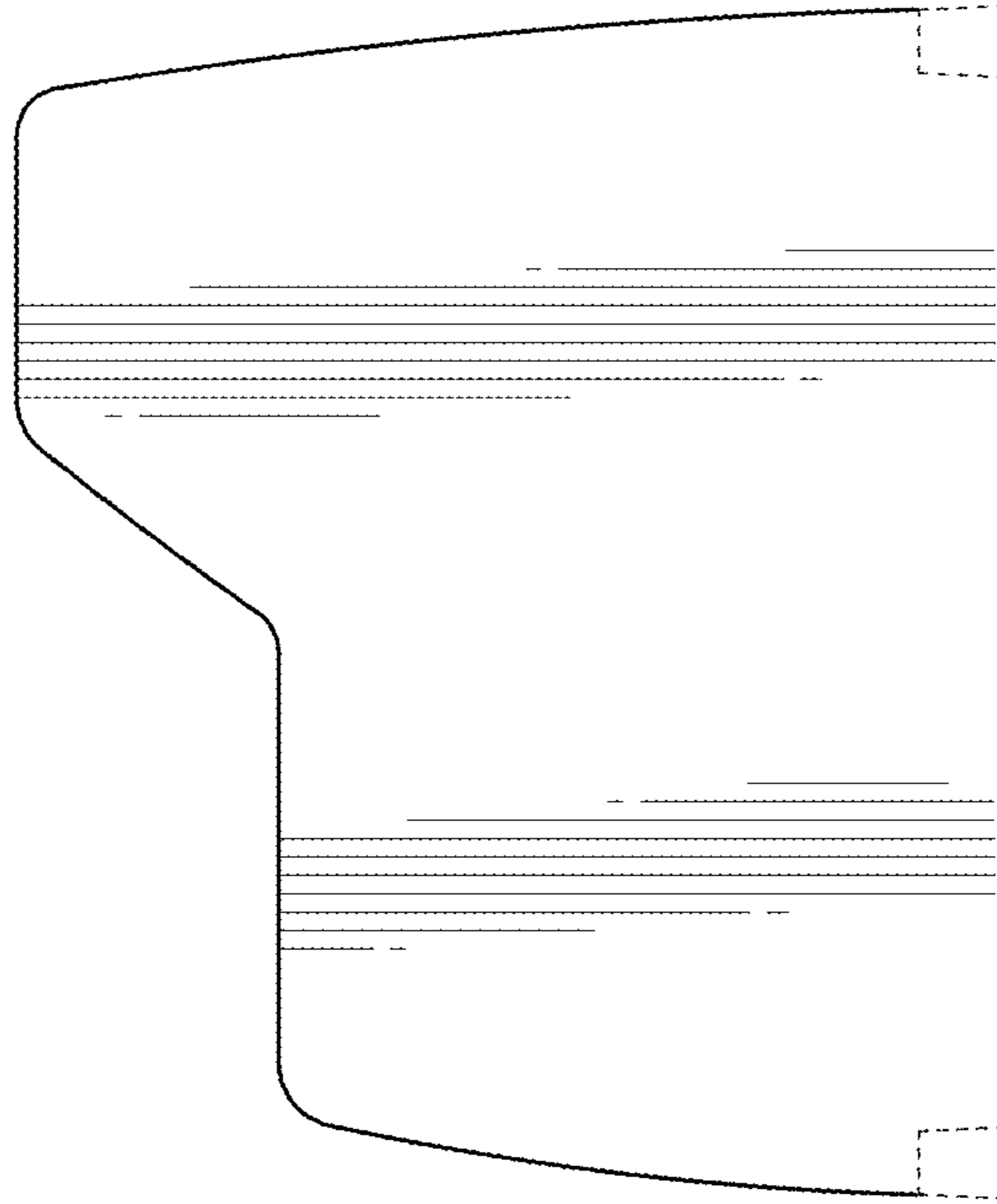


FIG. 5

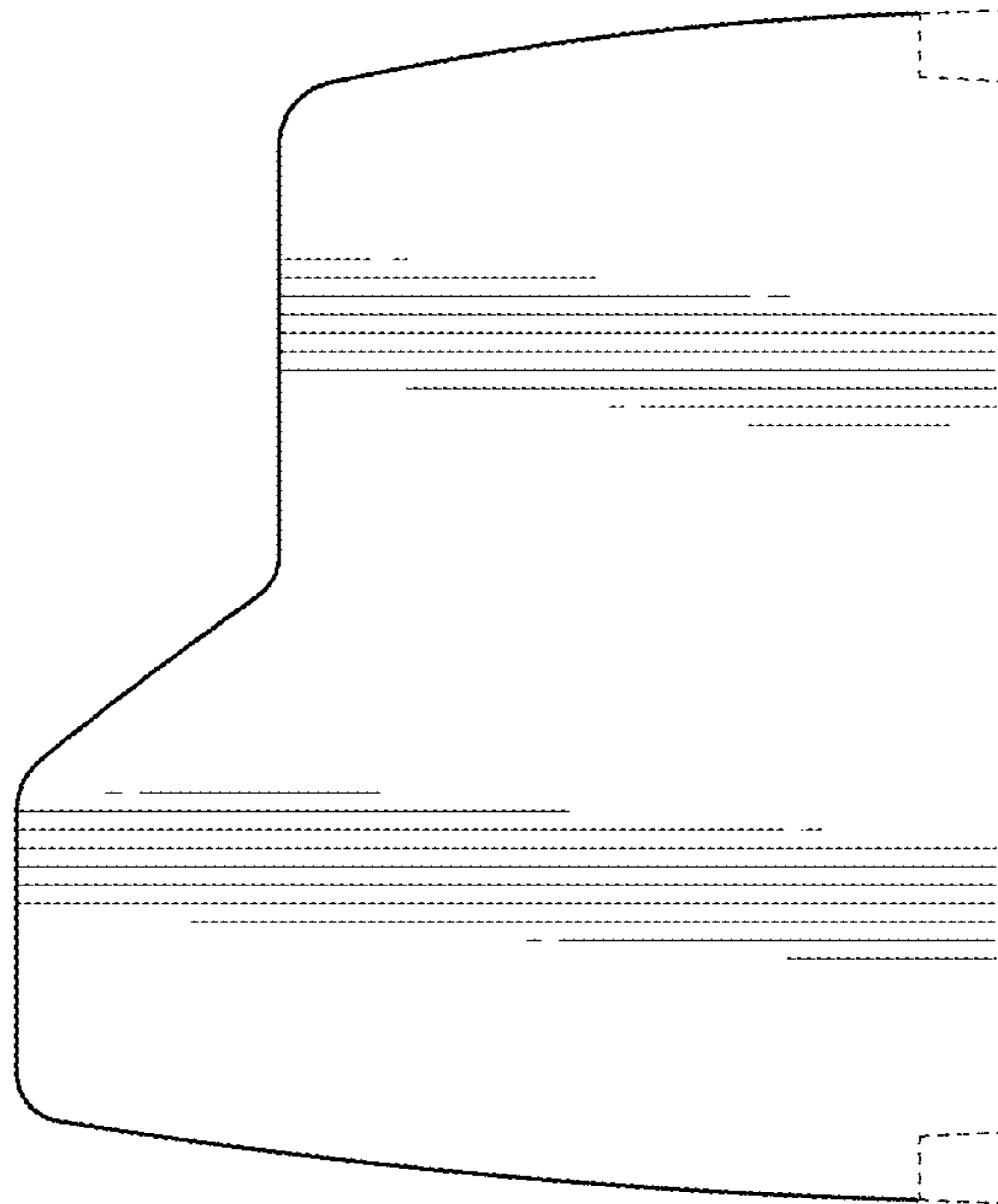


FIG. 4

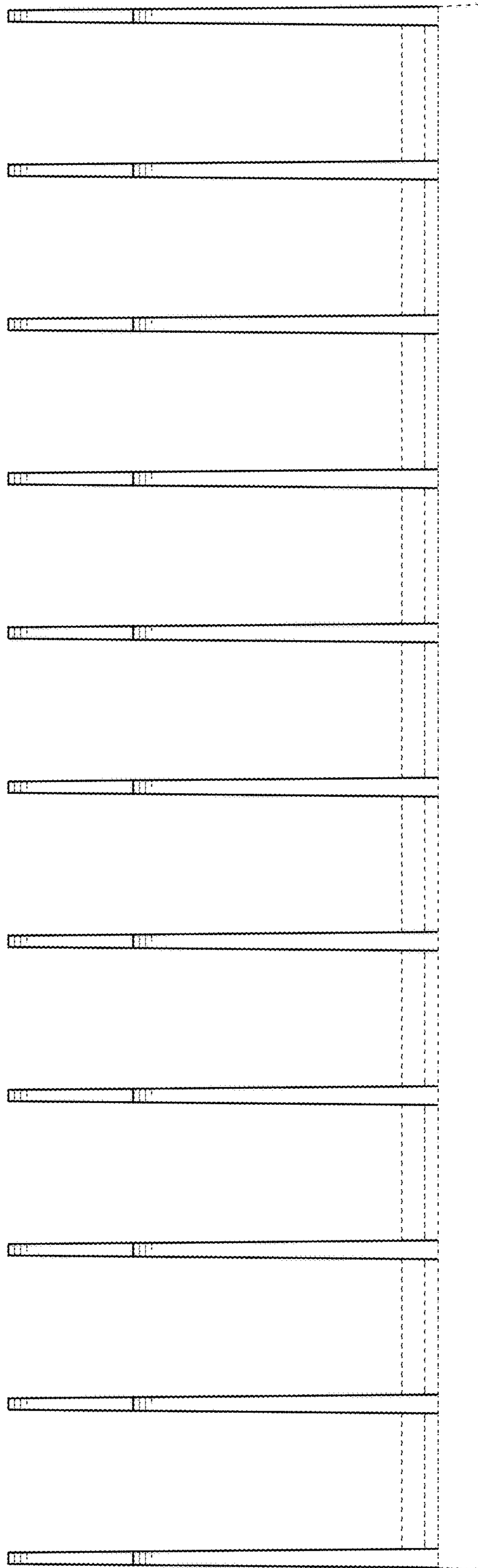


FIG. 6

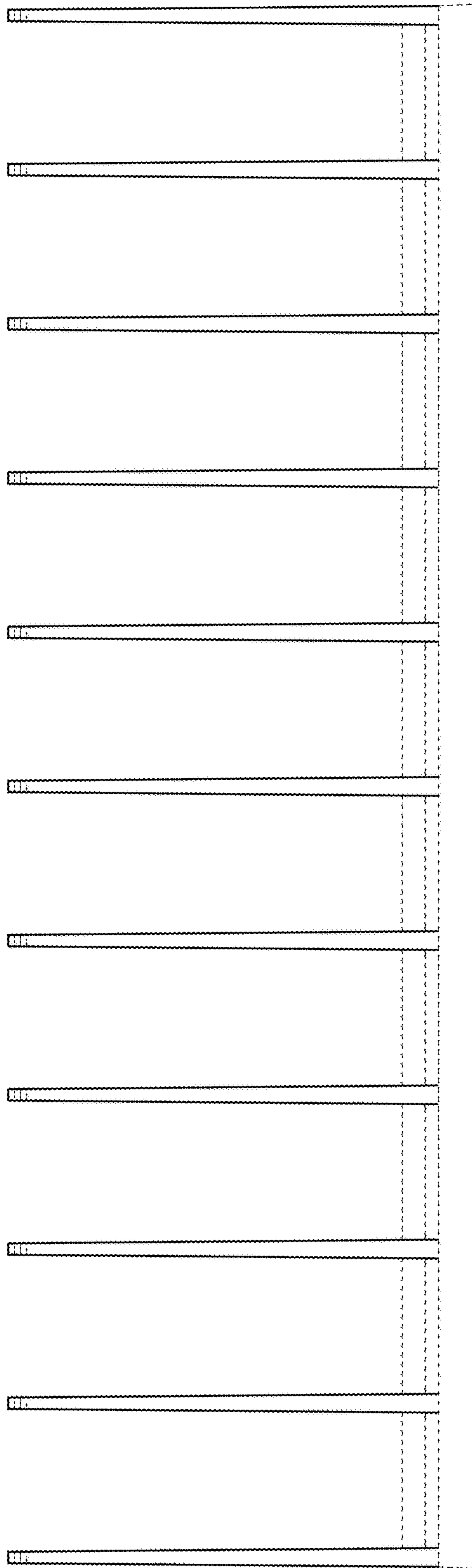


FIG. 7