

US00D816377S

(12) **United States Design Patent**
Levy et al.

(10) **Patent No.:** **US D816,377 S**

(45) **Date of Patent:** **** May 1, 2018**

(54) **STORAGE BIN**
(71) Applicant: **NAVAJO MANUFACTURING COMPANY, INC.**, Denver, CO (US)
(72) Inventors: **Gordon Levy**, Golden, CO (US); **Shawn Shelton**, Denver, CO (US)
(73) Assignee: **NAVAJO MANUFACTURING COMPANY, INC.**, Denver, CO (US)

D594,229 S * 6/2009 Barkdoll D3/304
D621,619 S * 8/2010 Ripoll D3/304
D677,055 S * 3/2013 Nowicky D3/304
D732,324 S * 6/2015 Hawkins D6/683.1
D735,996 S * 8/2015 Fath D3/305
D747,102 S * 1/2016 Kraemer D3/307
D761,369 S * 7/2016 Elsea D21/782
D781,625 S * 3/2017 Poniatowski D6/683
D783,286 S * 4/2017 Silverman D3/304
D790,856 S * 7/2017 Levy D3/304
D797,451 S * 9/2017 Levy D3/304

* cited by examiner

(**) Term: **15 Years**

Primary Examiner — Kelley Donnelly

(21) Appl. No.: **29/582,774**

(74) *Attorney, Agent, or Firm* — Studebaker & Brackett PC

(22) Filed: **Oct. 31, 2016**

(51) **LOC (11) Cl.** **06-01**

(52) **U.S. Cl.**
USPC **D6/683**

(58) **Field of Classification Search**
USPC D3/304, 307, 308, 312, 313, 314, 315;
D6/672, 672.1, 678, 683, 683.1
CPC A45C 13/083; A47F 1/04; B65D 71/0003;
B65D 2543/00222; B65D 2543/00296
See application file for complete search history.

(57) **CLAIM**

The ornamental design for a storage bin, as shown and described.

(56) **References Cited**

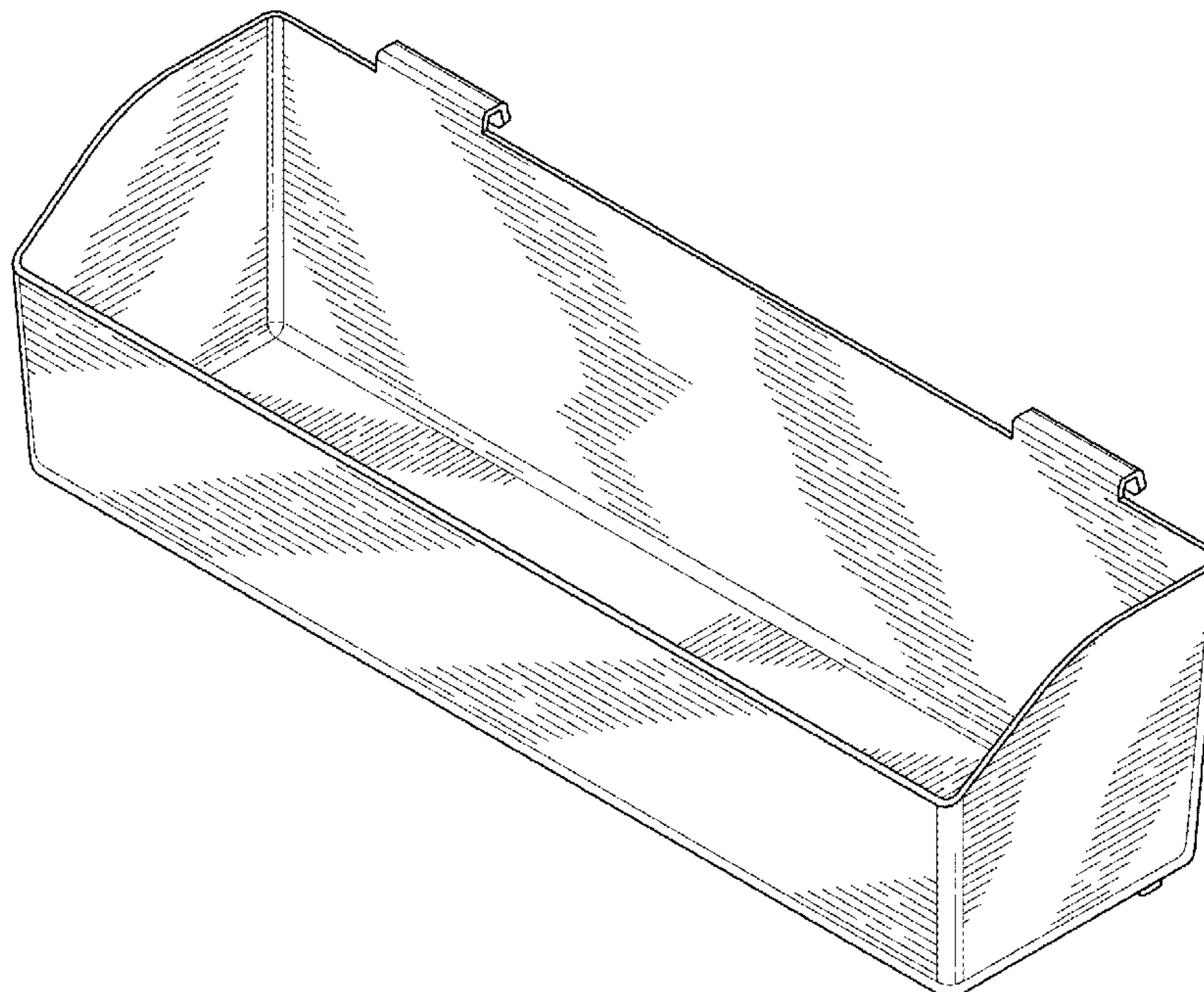
U.S. PATENT DOCUMENTS

D164,744 S * 10/1951 Thomson D6/574
D281,477 S * 11/1985 Neff D6/567
D292,516 S * 10/1987 Wolff D15/89
D322,993 S * 1/1992 Hobson D19/75
D356,461 S * 3/1995 May D6/567
D437,698 S * 2/2001 Cassler D6/323
D550,482 S * 9/2007 Belokin A47F 5/0068
D6/683

DESCRIPTION

FIG. 1 is a front perspective view showing our new design for a storage bin,
FIG. 2 is a front view thereof,
FIG. 3 is a rear view thereof,
FIG. 4 is a top view thereof,
FIG. 5 is a bottom view thereof,
FIG. 6 is a left side view thereof,
FIG. 7 is a right side view thereof,
FIG. 8 is a front perspective view of an alternate embodiment,
FIG. 9 is a front view thereof,
FIG. 10 is a top view thereof; and,
FIG. 11 is a bottom view thereof.

1 Claim, 6 Drawing Sheets



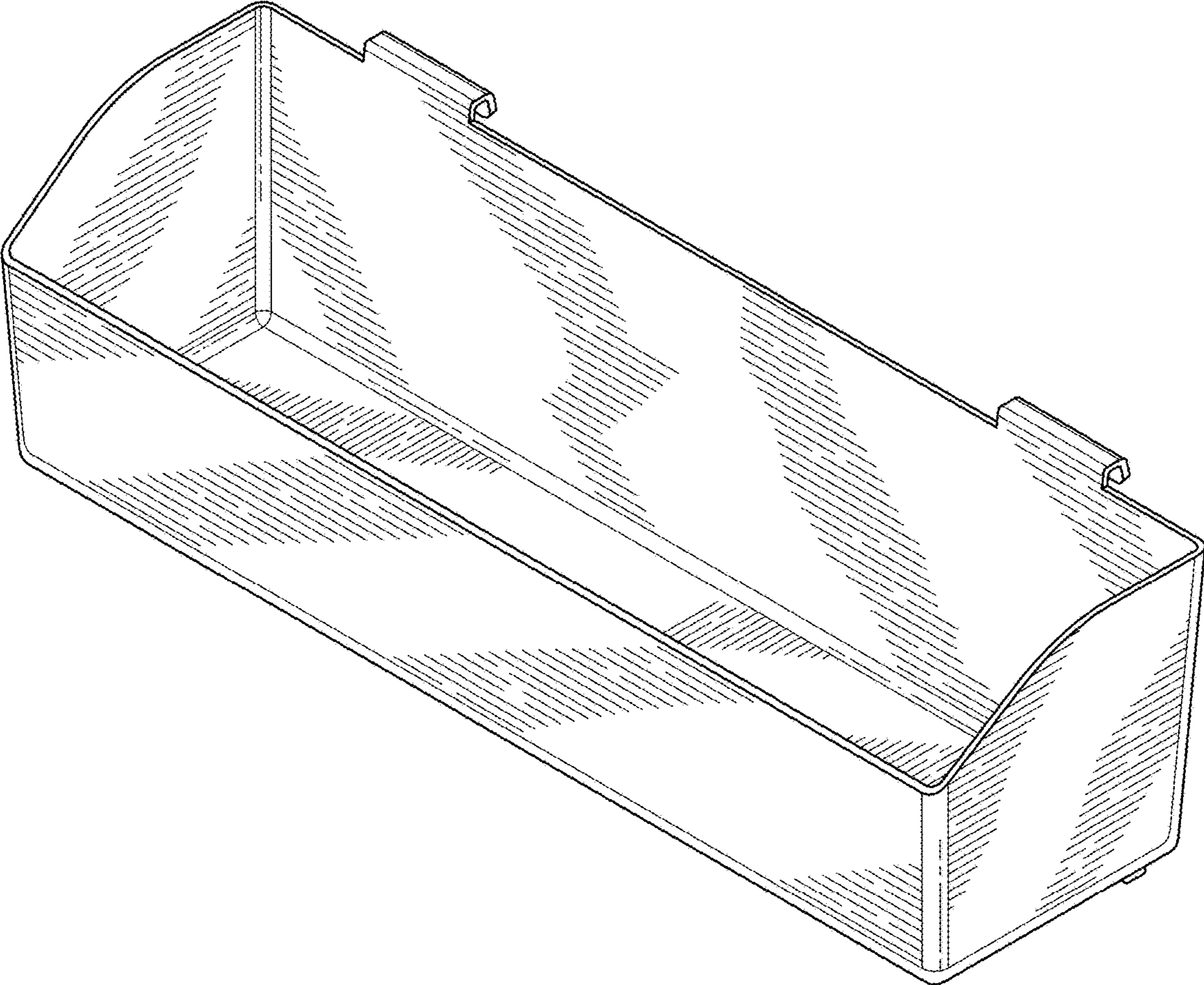


FIG. 1

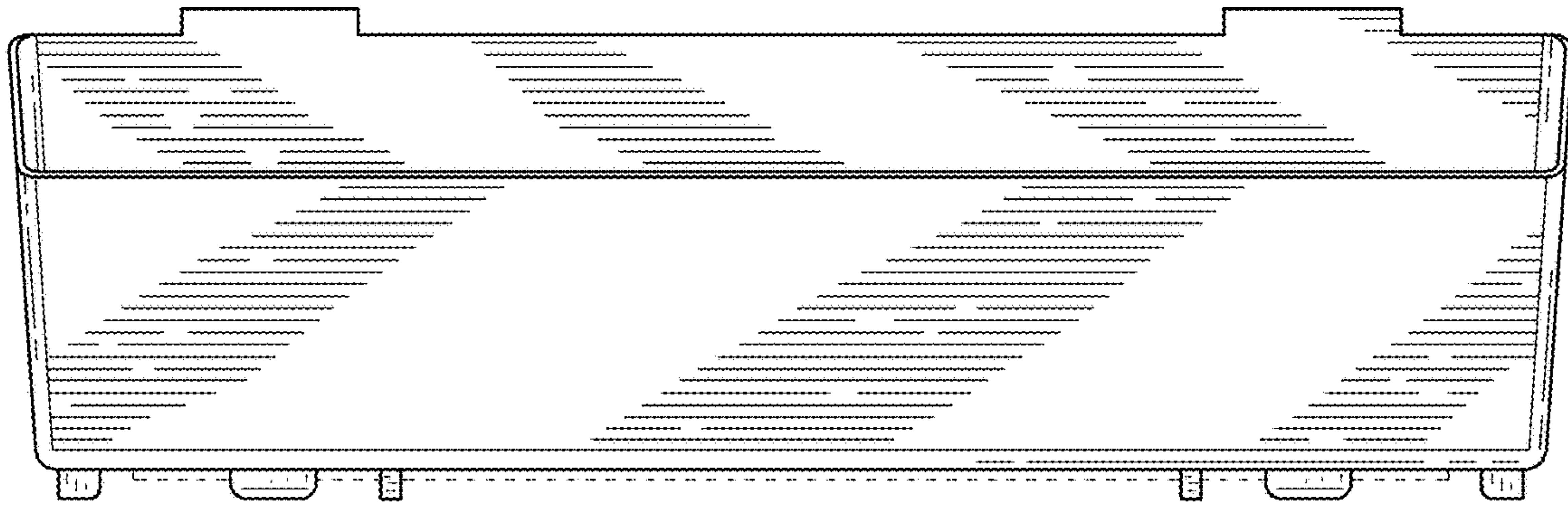


FIG. 2

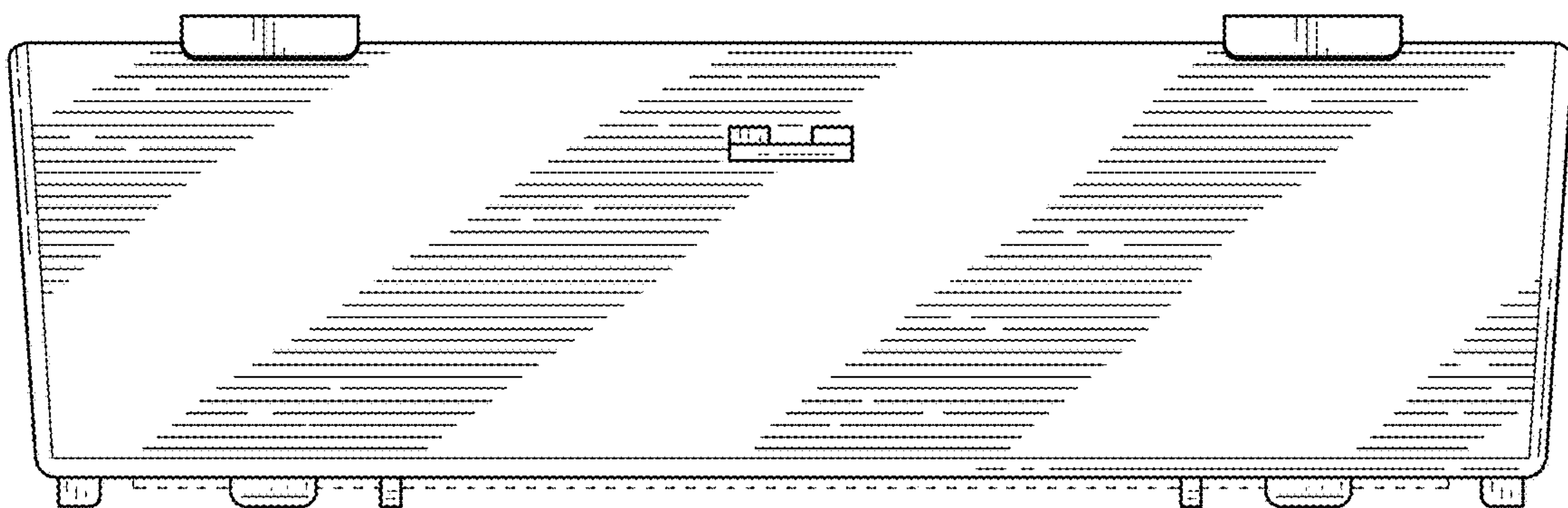


FIG. 3

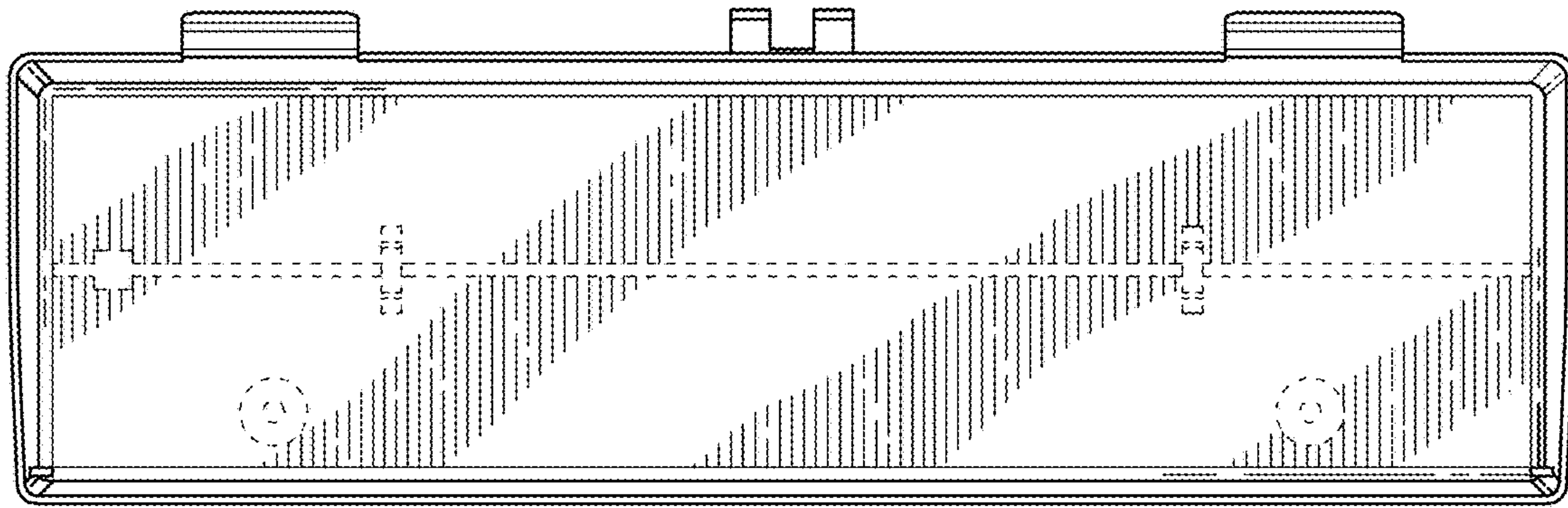


FIG. 4

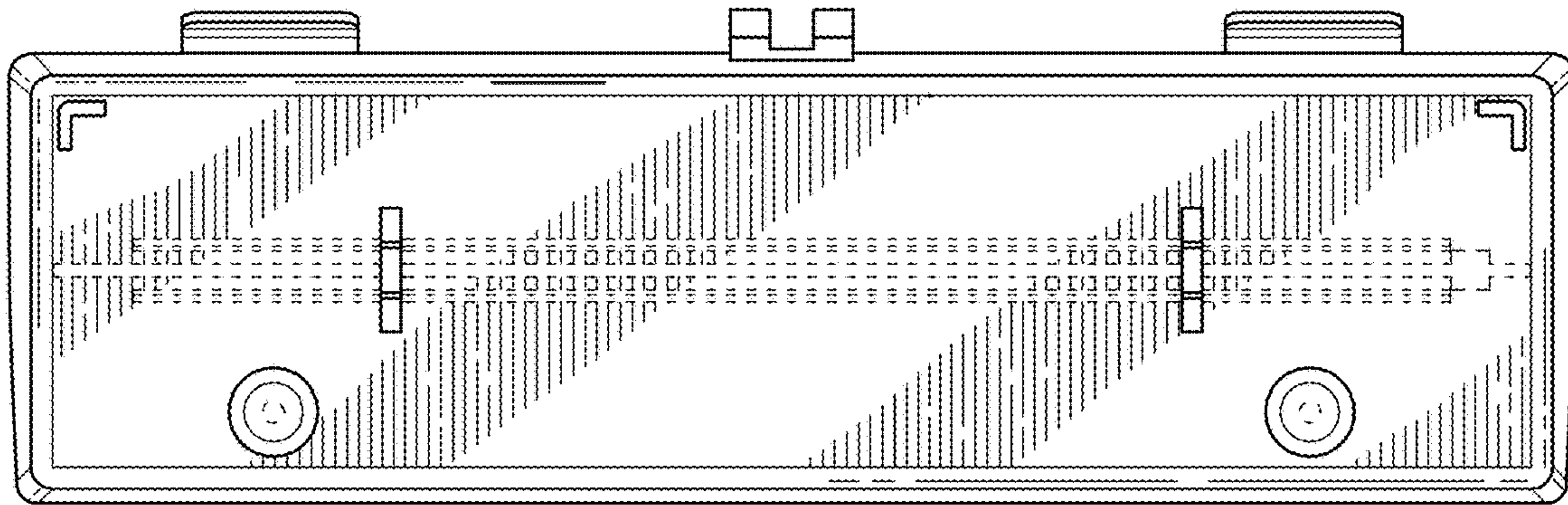


FIG. 5

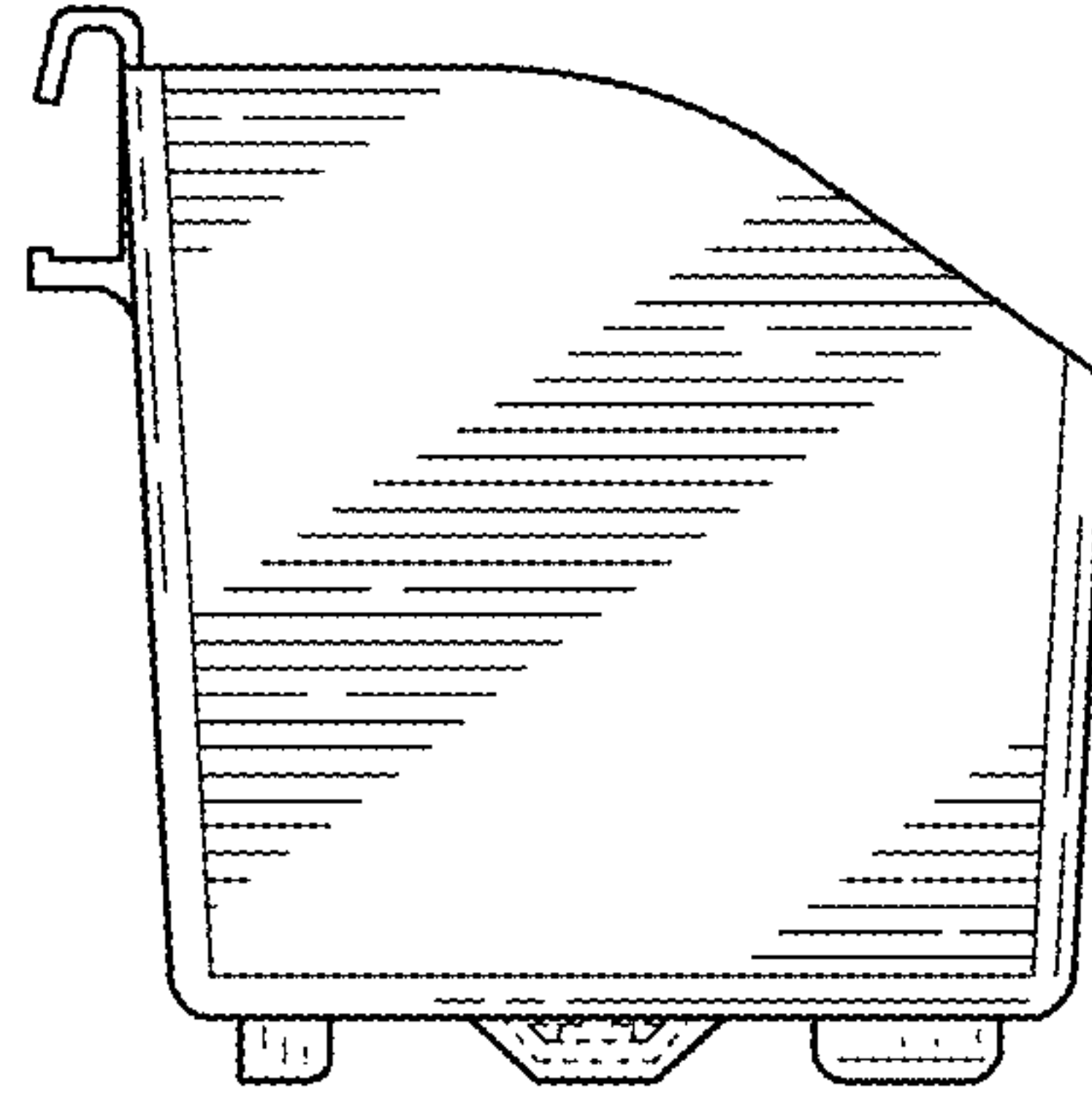


FIG. 6

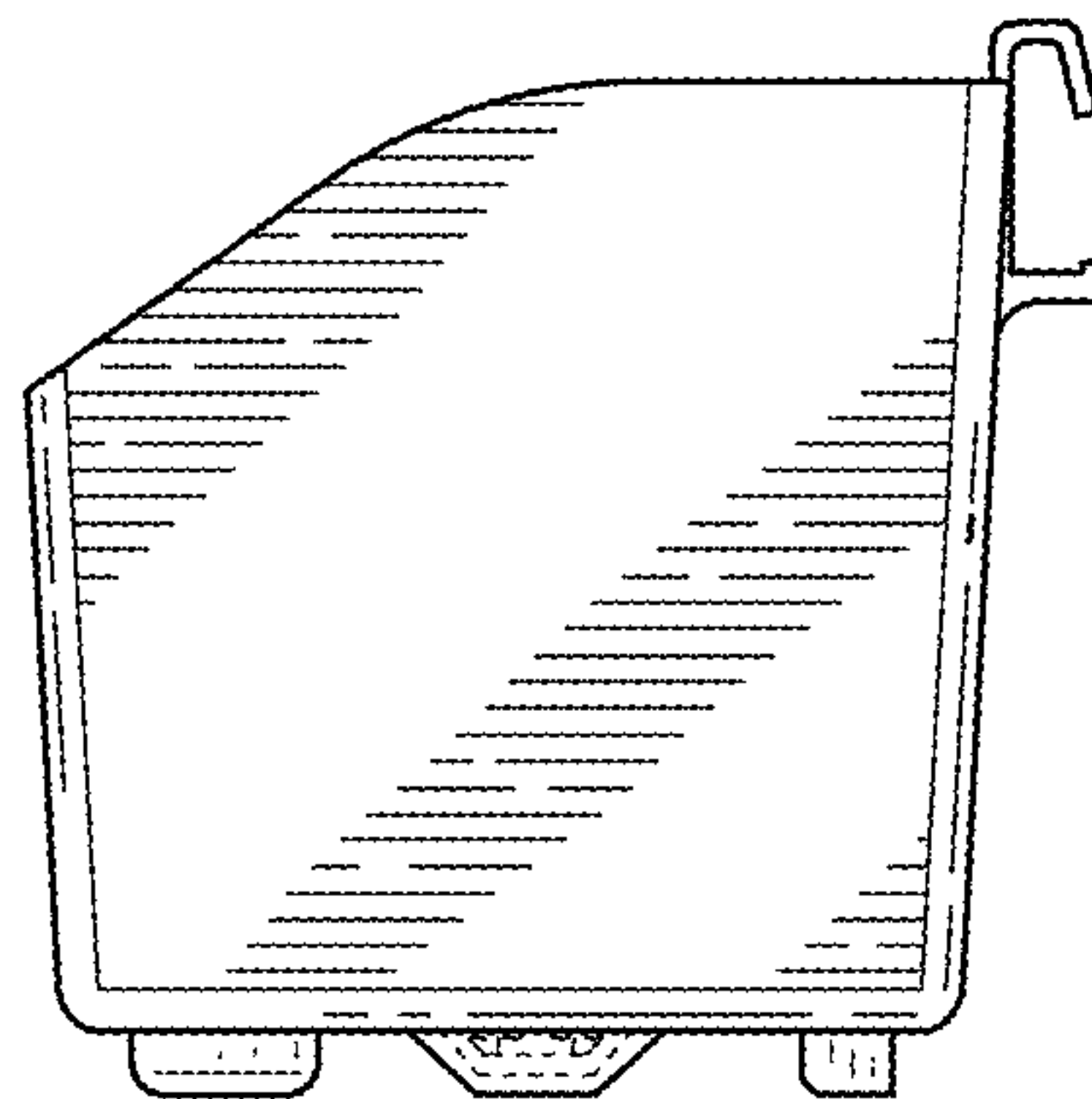


FIG. 7

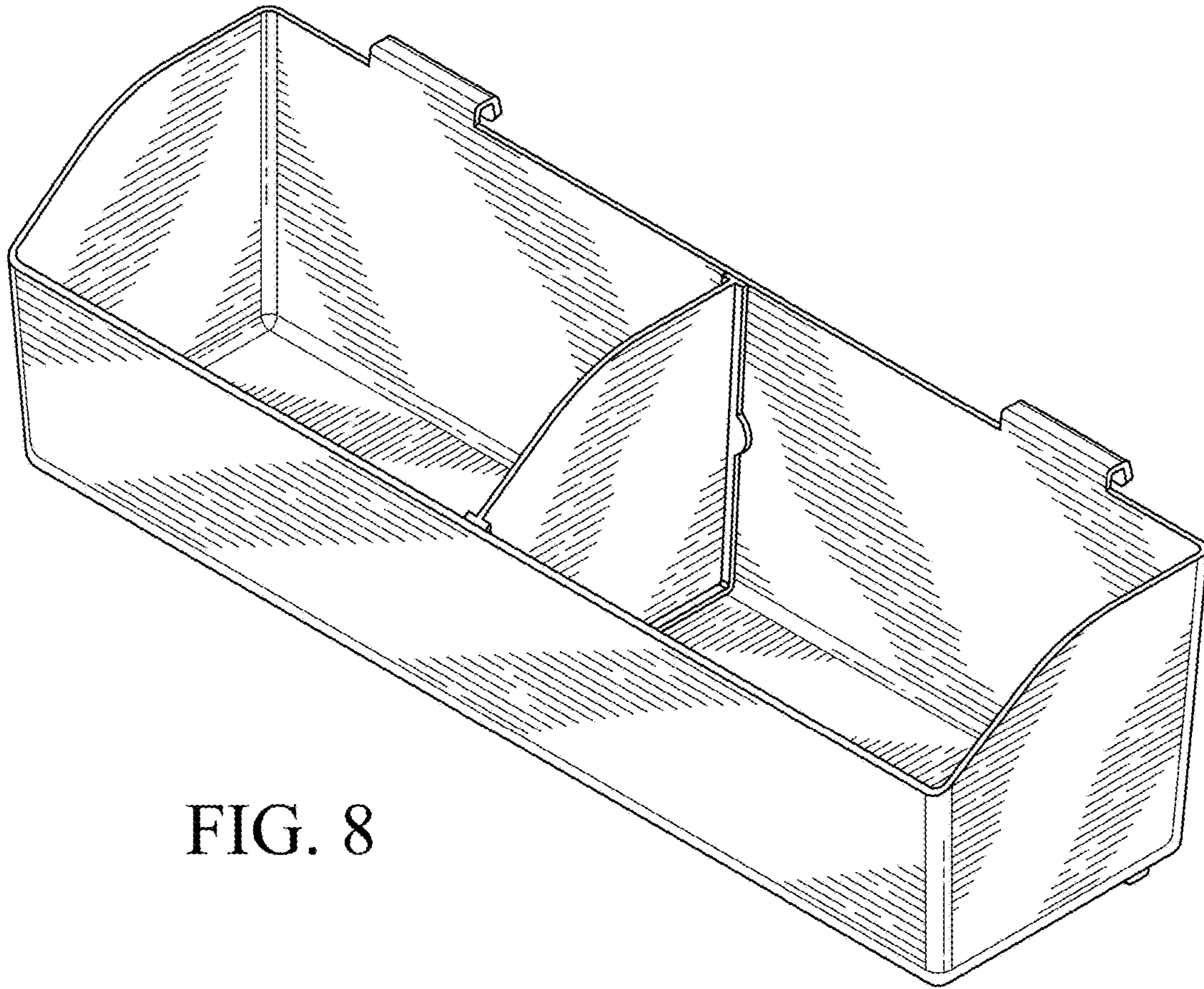


FIG. 8

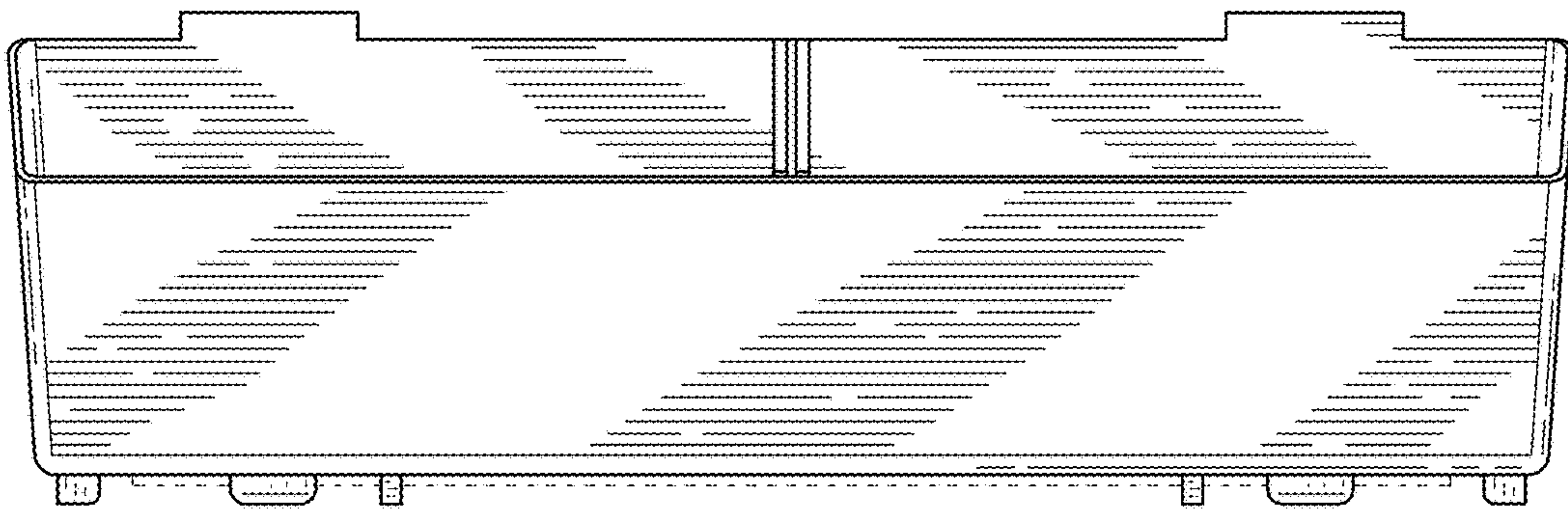


FIG. 9

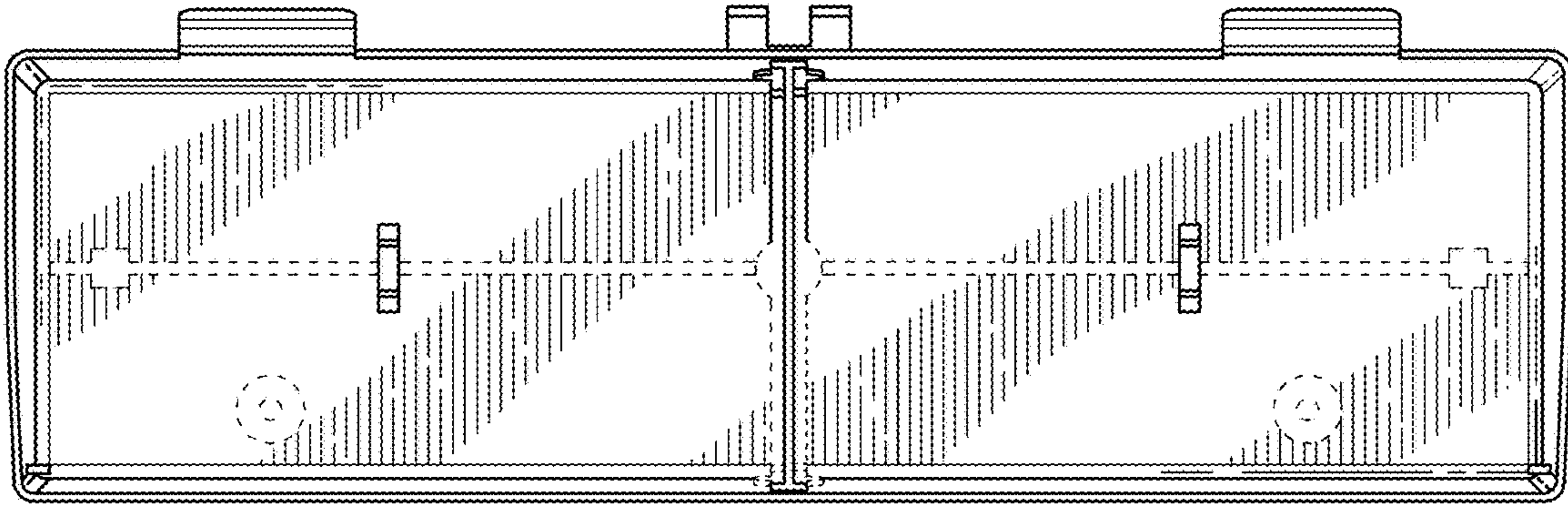


FIG. 10

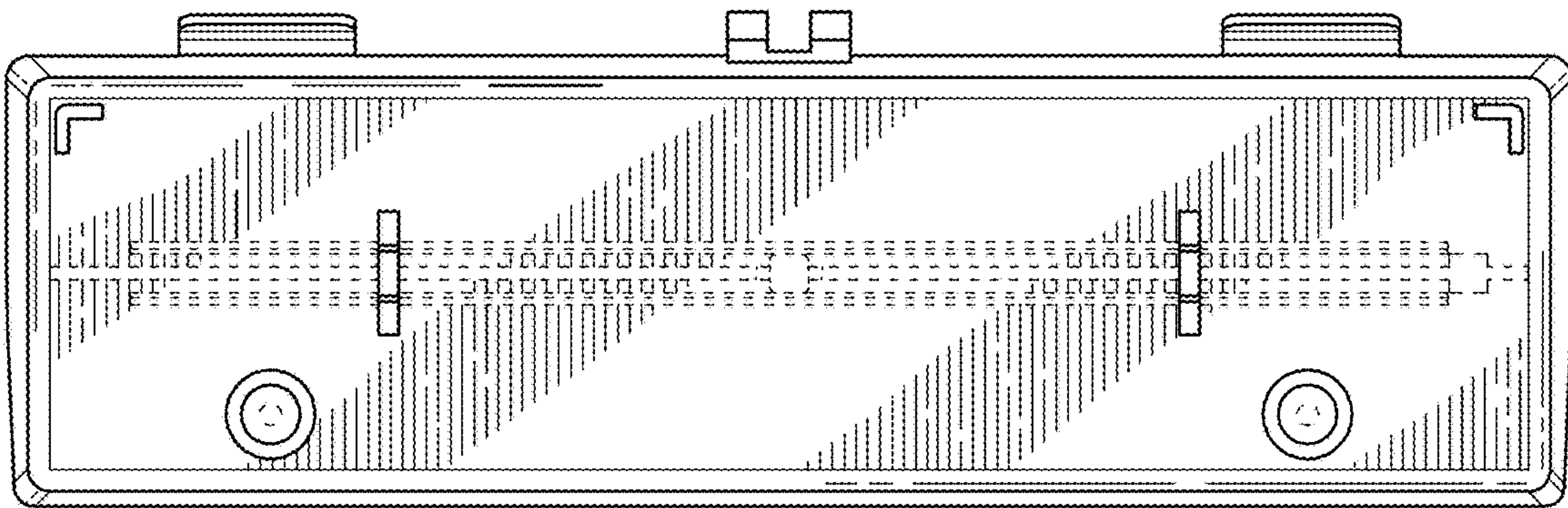


FIG. 11