



US00D816373S

(12) **United States Design Patent**
Schwandt et al.

(10) **Patent No.:** **US D816,373 S**
(45) **Date of Patent:** **** May 1, 2018**

(54) **RAIL FOR A COVERING FOR AN ARCHITECTURAL OPENING**

FOREIGN PATENT DOCUMENTS

WO 2011121621 A1 10/2011

(71) Applicant: **Hunter Douglas Inc.**, Pearl River, NY (US)

OTHER PUBLICATIONS

U.S. Appl. No. 15/045,319, filed Feb. 17, 2016.

(72) Inventors: **Mark A. Schwandt**, Thornton, CO (US); **Martin A. Stebenne**, Westminster, CO (US); **Fred Bould**, Menlo Park, CA (US); **Kwan Hon Anson Cheung**, San Francisco, CA (US)

Primary Examiner — Celia Murphy
Assistant Examiner — Clare Ann Gannon
(74) *Attorney, Agent, or Firm* — Leason Ellis LLP

(73) Assignee: **HUNTER DOUGLAS INC.**, Pearl River, NY (US)

(57) **CLAIM**

We claim the ornamental design for a rail for a covering for an architectural opening, as shown and described.

(**) Term: **15 Years**

DESCRIPTION

(21) Appl. No.: **29/554,916**

FIG. 1 is an isometric view of a rail for a covering for an architectural opening in accordance with a first embodiment of the present design.

(22) Filed: **Feb. 17, 2016**

FIG. 2 is a front elevation view thereof.

(51) **LOC (11) Cl.** **06-10**

FIG. 3 is a rear elevation view thereof.

(52) **U.S. Cl.**

FIG. 4 is a right side elevation view thereof.

USPC **D6/580**

FIG. 5 is a left side elevation view thereof.

(58) **Field of Classification Search**

FIG. 6 is a top plan view thereof.

USPC D6/576, 577, 579, 580; D8/354, 363, D8/373, 376, 377, 380; D25/119, 121, D25/123, 125

FIG. 7 is a bottom plan view thereof.

CPC .. A47H 1/04; A47H 1/13; B60J 1/2038; B60J 1/2063; E06B 2009/587; E06B 9/262; E06B 9/266; E06B 9/323; E06B 9/40; E06B 9/42; E06B 9/58

FIG. 8 is an isometric view of a rail for a covering for an architectural opening in accordance with a second embodiment of the present design.

See application file for complete search history.

FIG. 9 is a front elevation view thereof.

FIG. 10 is a rear elevation view thereof.

FIG. 11 is a right side elevation view thereof.

FIG. 12 is a left side elevation view thereof.

FIG. 13 is a top plan view thereof; and,

FIG. 14 is a bottom plan view thereof.

The dash-dash broken lines illustrate features of the rail for a covering for an architectural opening that form no part of the claimed design. The dash-dot-dash broken lines illustrate a boundary between claimed features and non-claimed features.

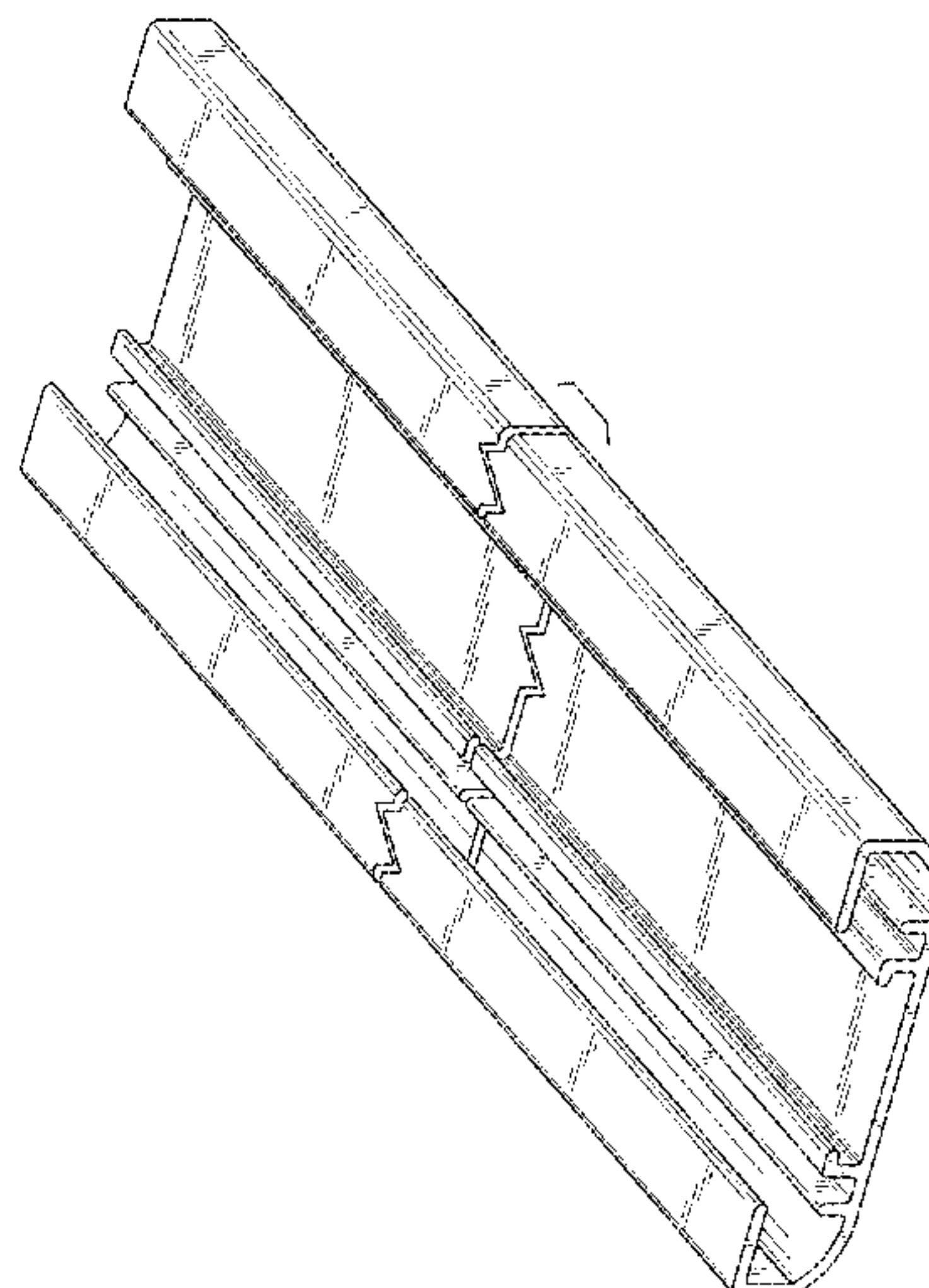
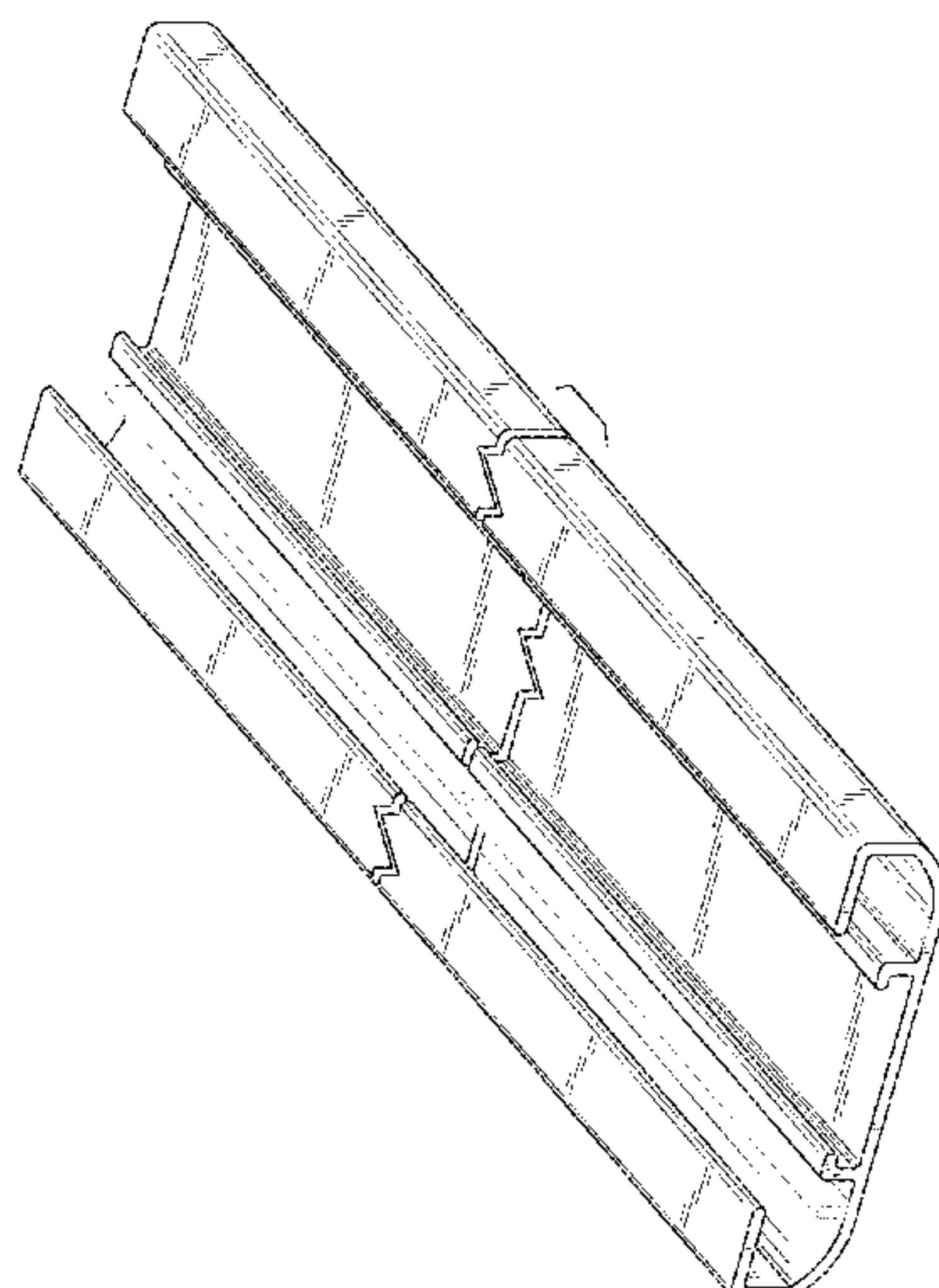
(56) **References Cited**

U.S. PATENT DOCUMENTS

1,835,775 A 12/1931 Hay
1,908,839 A 5/1933 Greig
1,918,924 A 7/1933 O'Heir
2,517,966 A 8/1950 Boye

(Continued)

1 Claim, 10 Drawing Sheets



(56)

References Cited

U.S. PATENT DOCUMENTS

2,637,382	A *	5/1953	Nelson	E06B 9/388 160/178.1 R	7,543,623	B2	6/2009	Allardyce et al.	
2,639,461	A	5/1953	Fry			D600,484	S	9/2009	Anderson et al.	
2,869,171	A	1/1959	Levine			D608,912	S *	1/2010	Betty D25/121
2,876,834	A	3/1959	Walker			7,694,482	B2	4/2010	Gazaway et al.	
D215,697	S *	10/1969	Toder	D25/119	8,256,489	B2	9/2012	Berger	
4,055,871	A	11/1977	Morton			D680,357	S	4/2013	Wills et al.	
D251,467	S *	4/1979	Anderson	D6/580	8,607,839	B2	12/2013	Berger	
4,733,435	A	3/1988	Darner			D699,976	S	2/2014	Chou	
4,828,002	A *	5/1989	Ashby	E06B 9/323 160/21	8,944,135	B2	2/2015	Spray	
4,919,185	A	4/1990	Comeau et al.			9,169,691	B2	10/2015	Berger	
4,938,443	A	7/1990	Rowe			D759,400	S	6/2016	Watkins	
5,121,893	A	6/1992	King et al.			2004/0182522	A1	9/2004	Strand et al.	
5,127,458	A	7/1992	Schaefer et al.			2006/0196612	A1 *	9/2006	Strand E06B 9/262 160/84.05
D368,851	S *	4/1996	Cole	D8/376	2007/0151676	A1	7/2007	Lin	
D381,890	S	8/1997	Levy			2008/0202705	A1	8/2008	Cheng et al.	
D415,287	S *	10/1999	Davis	D25/38.1	2008/0244862	A1	10/2008	Tooyama	
D440,099	S	4/2001	Horsten			2009/0256036	A1 *	10/2009	Wilson E06B 9/42 248/201
D440,100	S	4/2001	Horsten et al.			2010/0083594	A1	4/2010	Gazaway et al.	
D443,168	S	6/2001	Horsten			2010/0147469	A1	6/2010	Yu et al.	
6,371,192	B1	4/2002	Anderson et al.			2011/0265962	A1 *	11/2011	Drew E06B 9/262 160/340
D488,945	S	4/2004	Bibby et al.			2011/0265963	A1 *	11/2011	Drew E06B 9/262 160/340
D497,506	S	10/2004	Nien			2012/0012262	A1 *	1/2012	Santoro E06B 9/42 160/272
D497,758	S	11/2004	Goldberg			2013/0068398	A1	3/2013	Wills et al.	
6,817,402	B1	11/2004	Fraczek et al.			2013/0098563	A1	4/2013	Jang	
D522,297	S	6/2006	Miller et al.			2013/0105649	A1	5/2013	Wills et al.	
D530,967	S	10/2006	Smith			2014/0048218	A1	2/2014	Ng et al.	
D542,067	S	5/2007	Watkins et al.			2014/0305601	A1 *	10/2014	Mullet E06B 9/322 160/170
D542,068	S	5/2007	Watkins et al.			2015/0007946	A1	1/2015	Yu et al.	
D544,422	S	6/2007	Heilaneh et al.			2016/0090779	A1	3/2016	Nurre et al.	
D546,104	S	7/2007	Miller et al.			2016/0123074	A1	5/2016	Anderson	
D551,775	S *	9/2007	McGinness	D25/135	2016/0222721	A1	8/2016	Rettig	
7,367,536	B1	5/2008	Anderson et al.							
D595,078	S	6/2009	Kollman et al.							

* cited by examiner

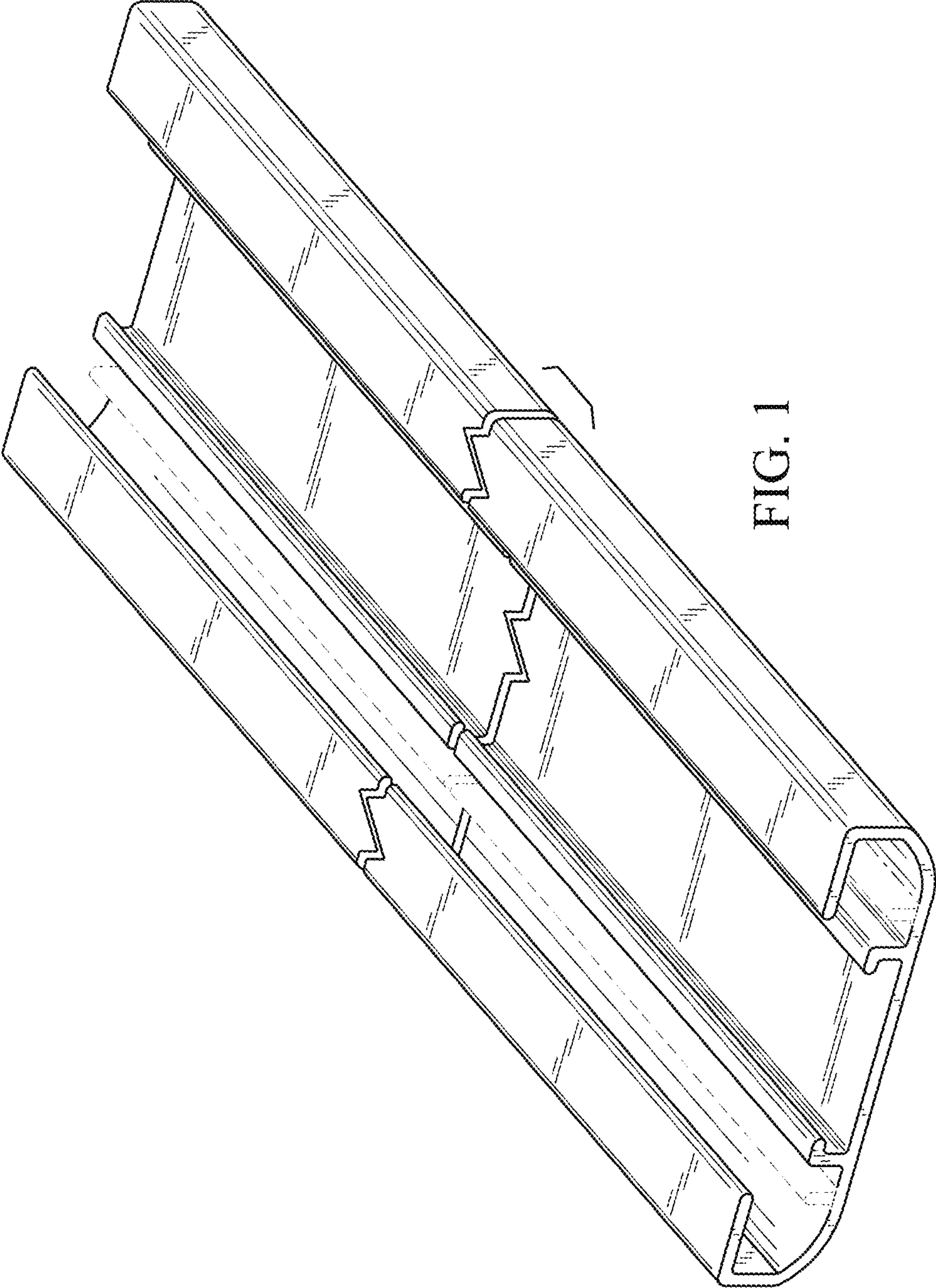


FIG. 1

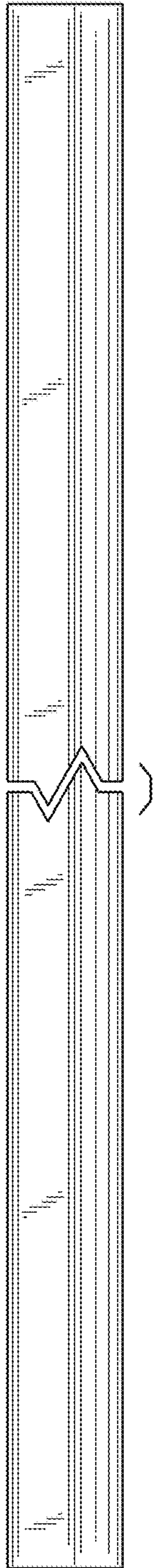


FIG. 2

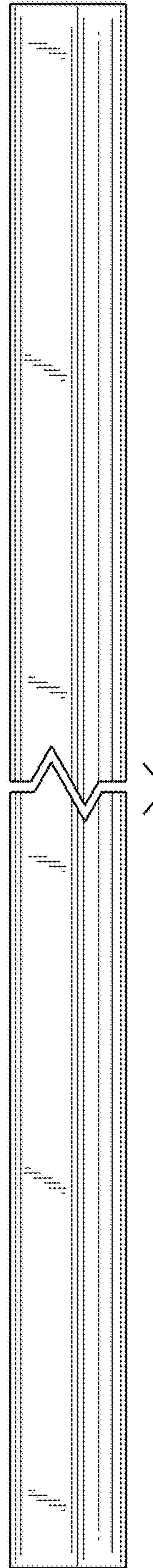


FIG. 3

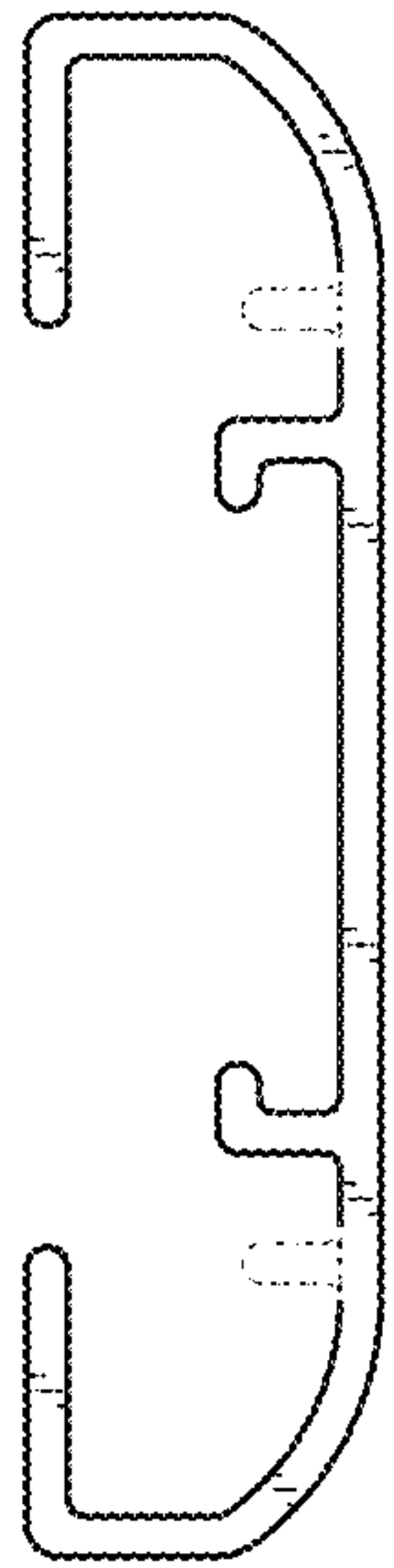


FIG. 4



FIG. 5

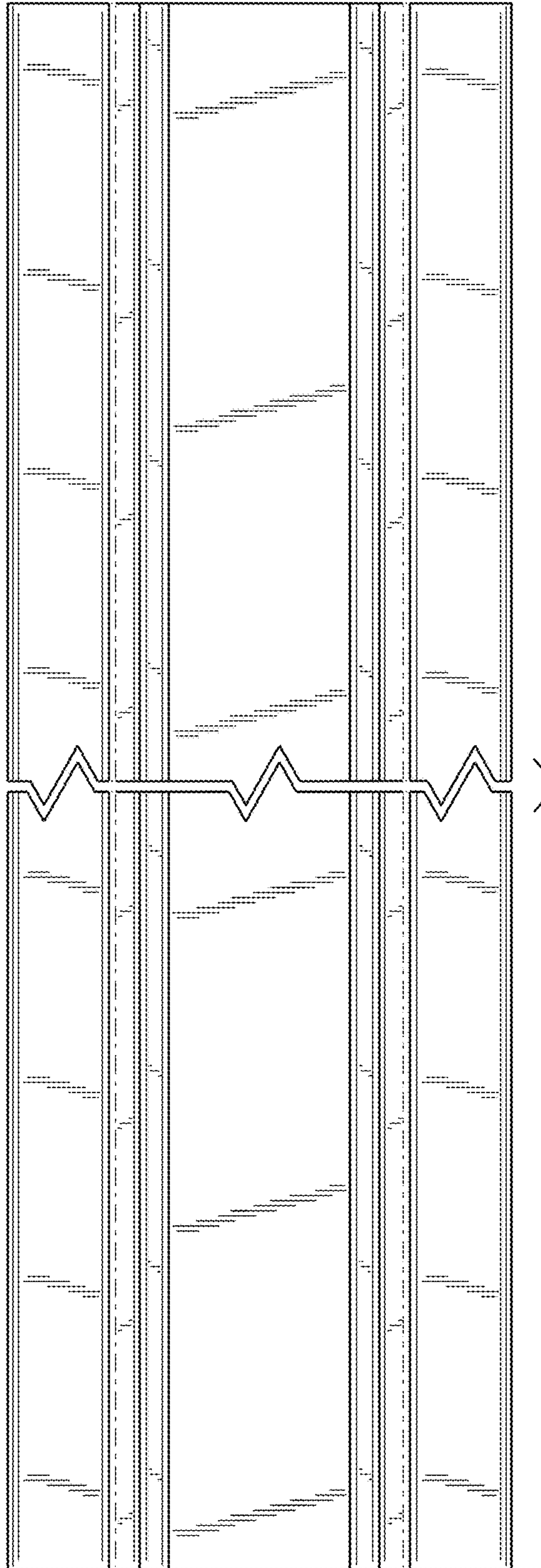


FIG. 6

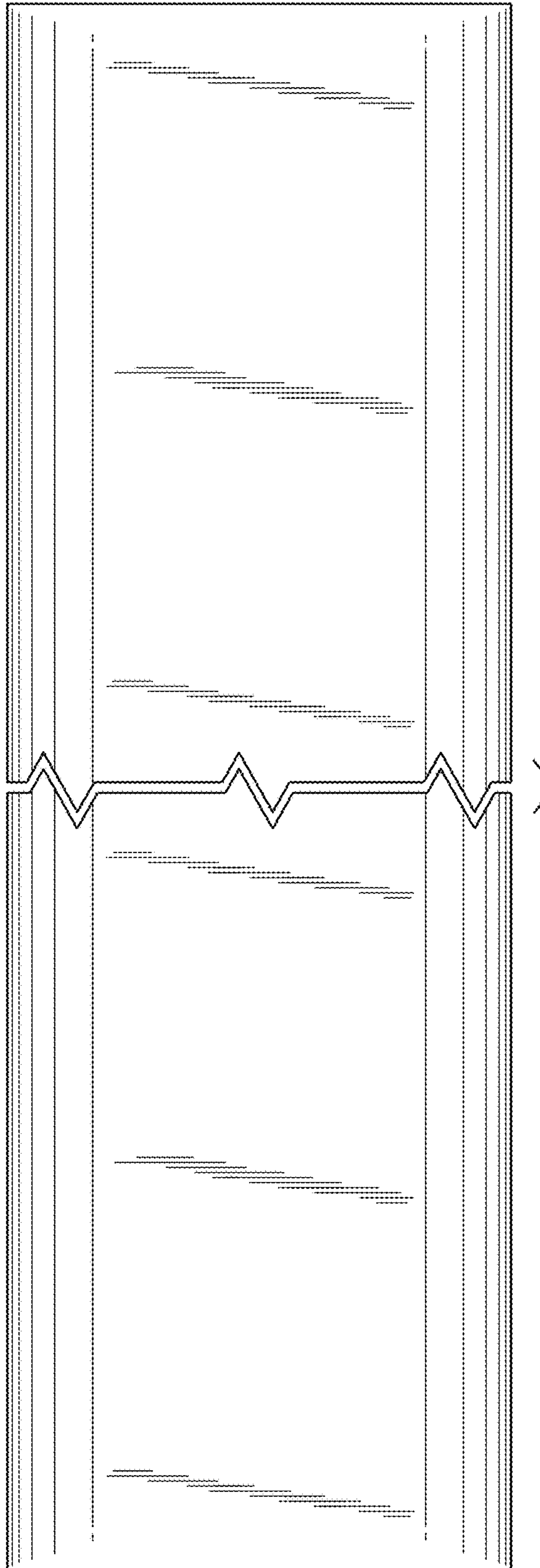


FIG. 7

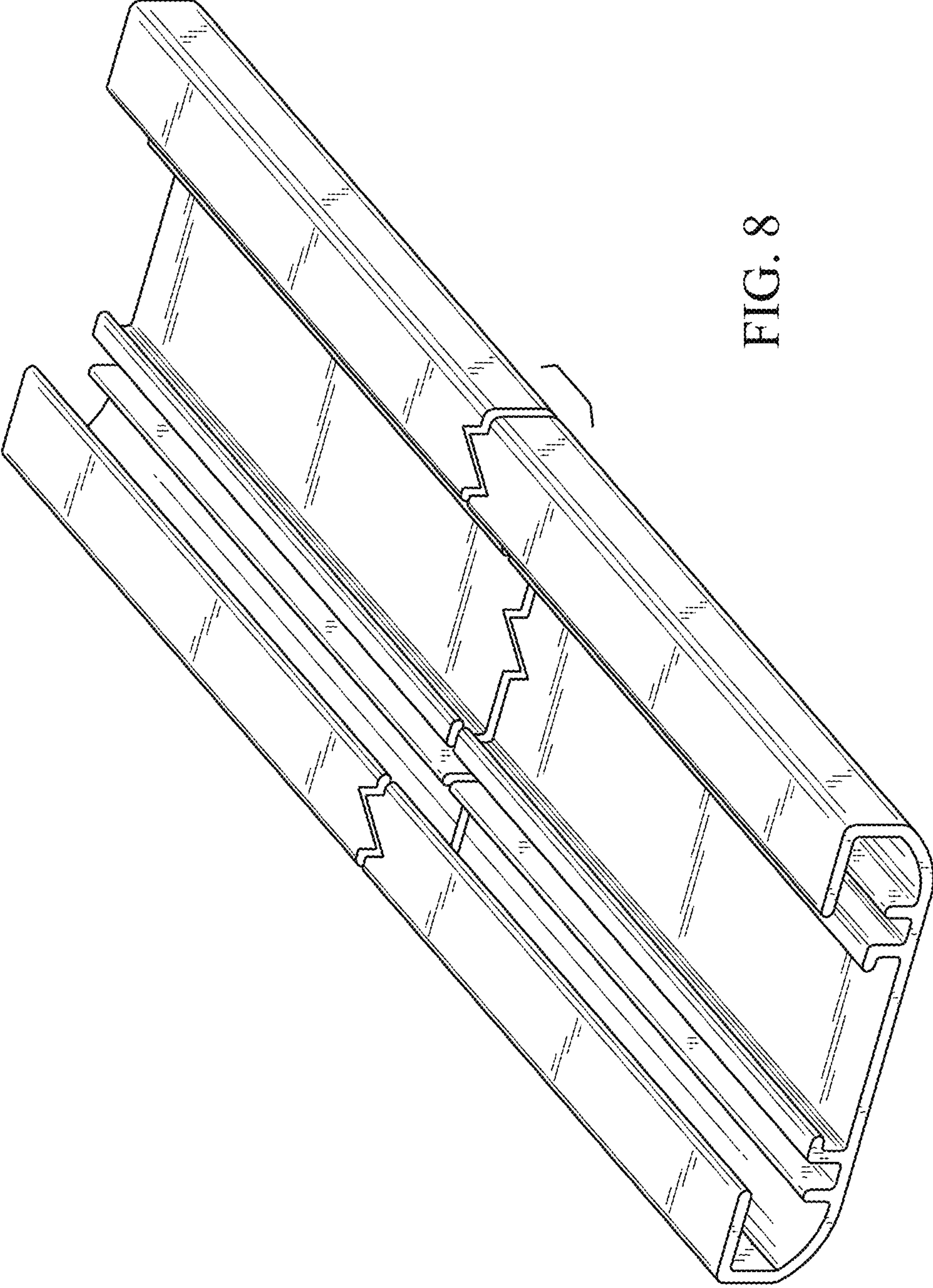


FIG. 8

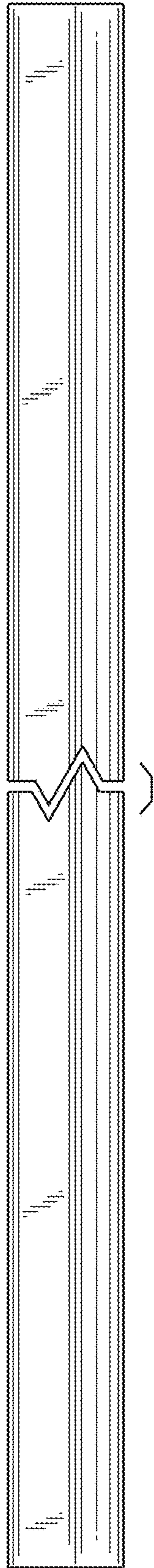


FIG. 9

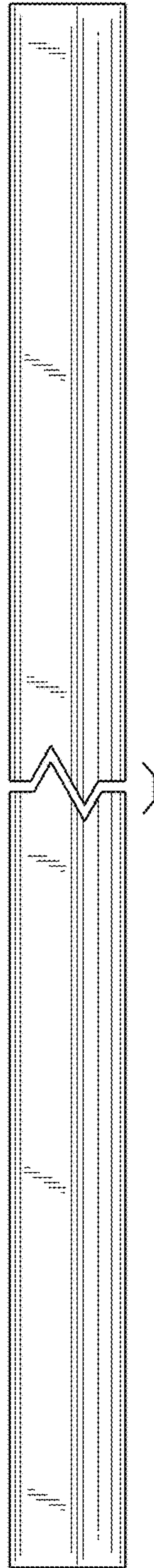


FIG. 10

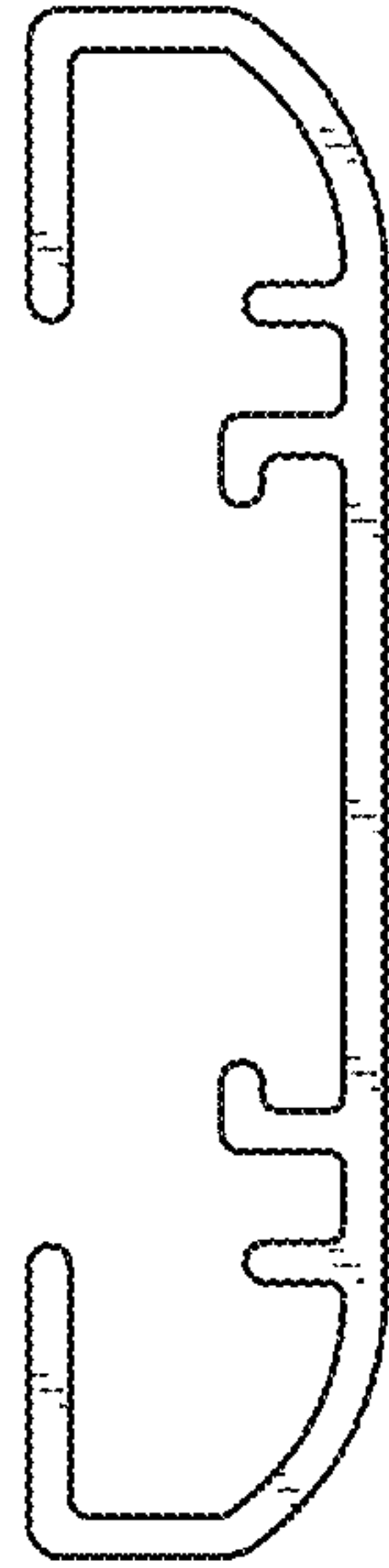


FIG. 11

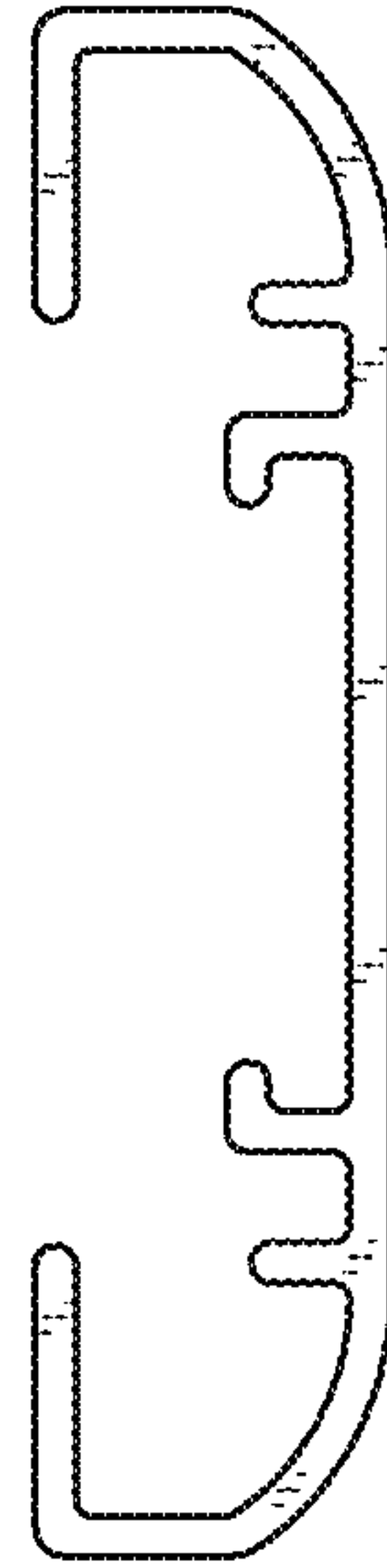


FIG. 12

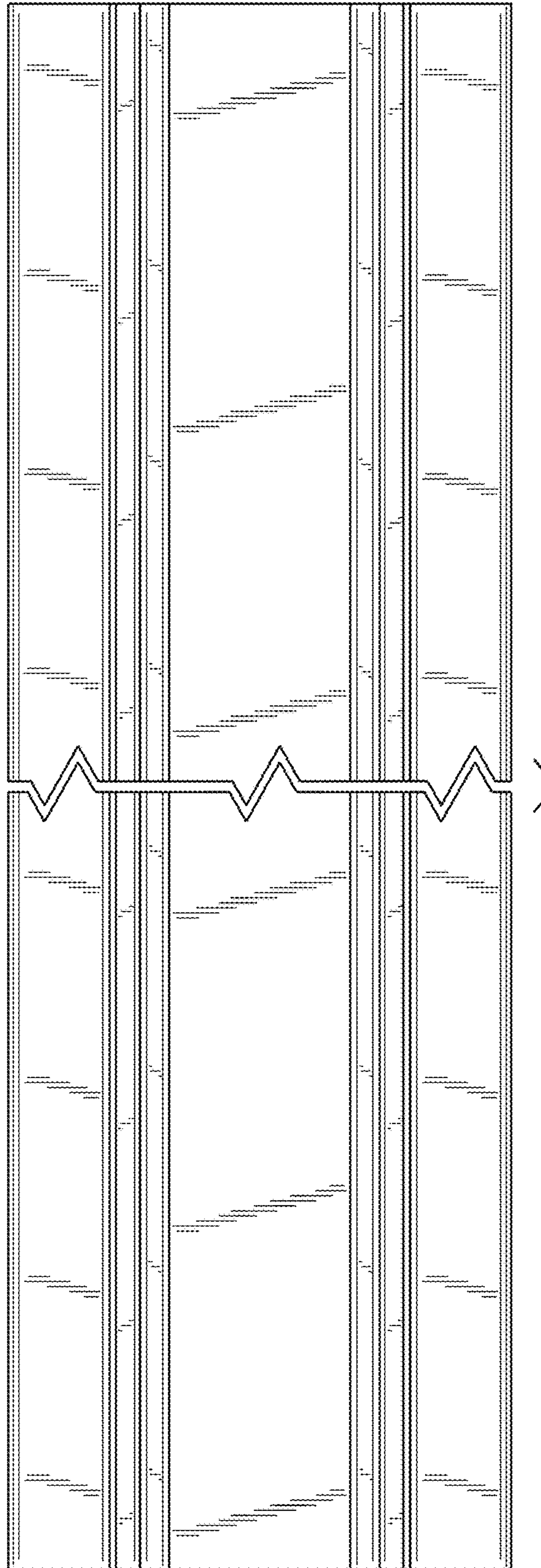


FIG. 13

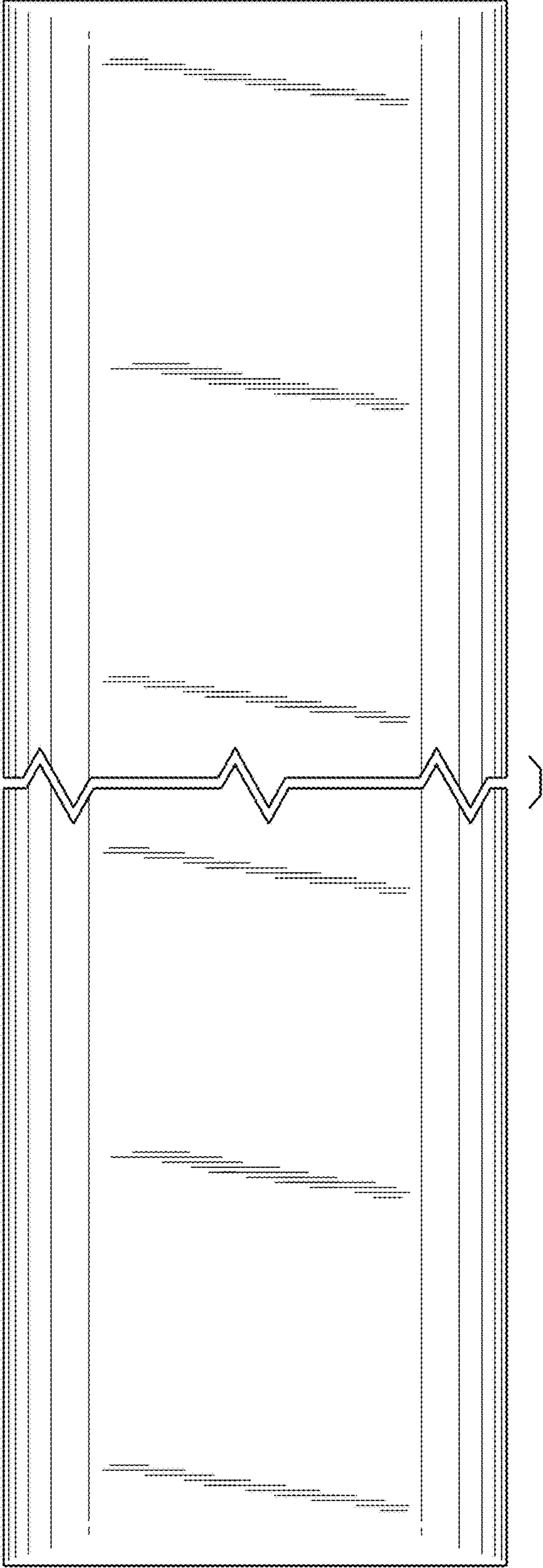


FIG. 14