



US00D816372S

(12) **United States Design Patent**  
**Berkowitz et al.**

(10) **Patent No.:** **US D816,372 S**

(45) **Date of Patent:** **\*\* May 1, 2018**

(54) **SHOWER SHELF**

D546,103 S \* 7/2007 Eymann ..... D6/574  
D546,610 S \* 7/2007 Blanchard ..... D6/567  
D598,228 S \* 8/2009 West ..... D6/574

(71) Applicant: **BLP INTERNATIONAL INC.**,  
Vaughan (CA)

\* cited by examiner

(72) Inventors: **Adam Berkowitz**, Maple (CA);  
**Tommy Hawes**, Toronto (CA)

*Primary Examiner* — Wan Laymon  
*Assistant Examiner* — Mark Booker

(73) Assignee: **BLP INTERNATIONAL INC.**,  
Vaughan, Ontario (CA)

(\*\*) Term: **15 Years**

(57) **CLAIM**

(21) Appl. No.: **29/587,980**

The ornamental design for a shower shelf, as shown and described.

(22) Filed: **Dec. 16, 2016**

(51) **LOC (11) Cl.** ..... **06-04**

(52) **U.S. Cl.**  
USPC ..... **D6/567**

**DESCRIPTION**

(58) **Field of Classification Search**  
USPC ..... D6/567, 568, 574, 329, 396, 417, 552,  
D6/553; 108/152; 211/13.1, 49.1, 60.1,  
211/64, 70.5, 86.01, 87.01, 88.01, 89.01,  
211/181.1; 248/121, 175, 200, 302  
CPC ..... A47K 3/281; A47K 3/001; A47K 5/04;  
A47B 96/022; A47B 96/021; A47B  
96/024; A47B 96/066; A47B 55/00  
See application file for complete search history.

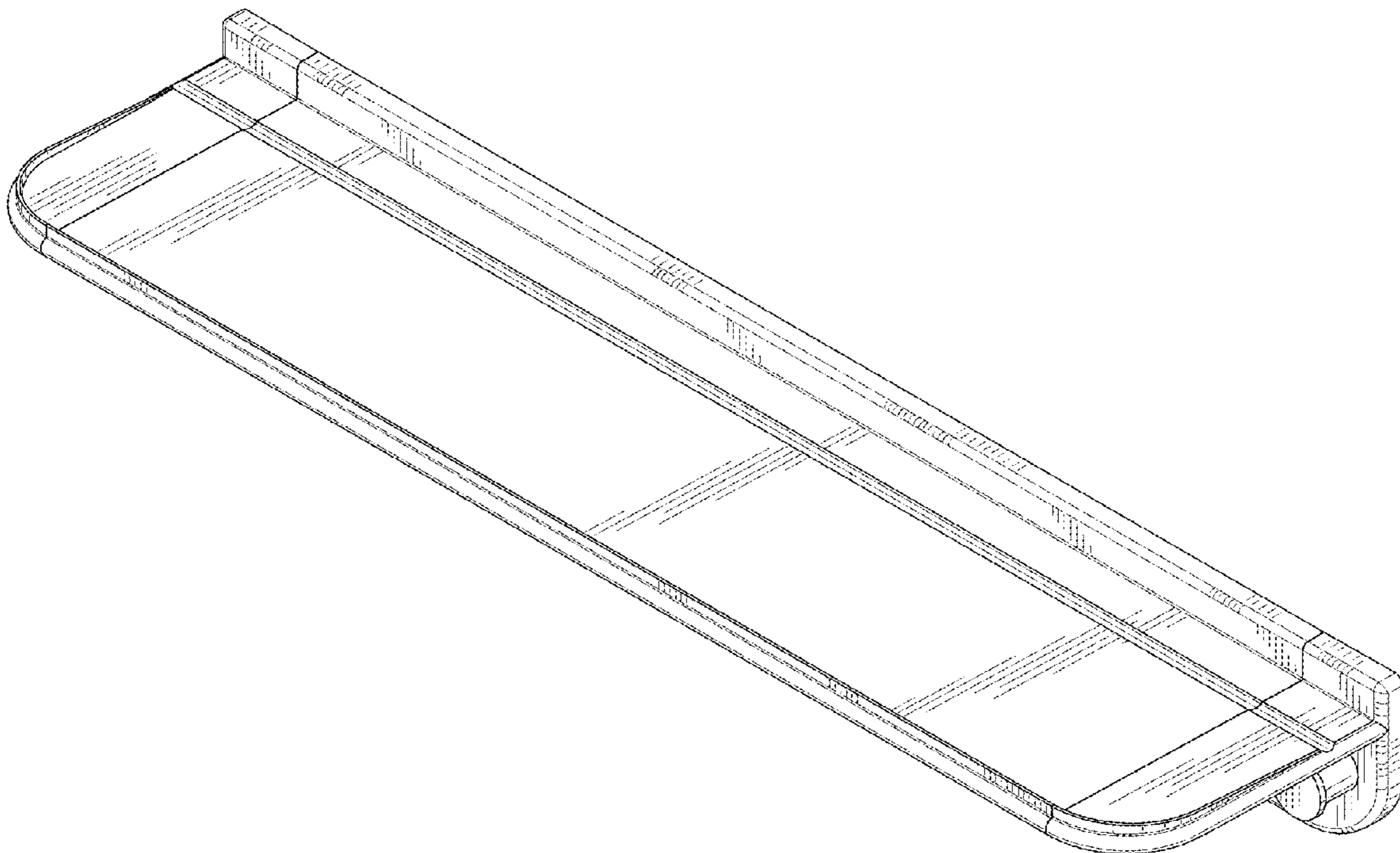
FIG. 1 is a perspective view of the shower shelf;  
FIG. 2 is another perspective view of the shower shelf of FIG. 1;  
FIG. 3 is a left side view of the shower shelf of FIG. 1;  
FIG. 4 is a front view of the shower shelf of FIG. 1;  
FIG. 5 is a right side view of the shower shelf of FIG. 1;  
FIG. 6 is a rear view of the shower shelf of FIG. 1;  
FIG. 7 is a top view of the shower shelf of FIG. 1; and,  
FIG. 8 is a bottom view of the shower shelf of FIG. 1.  
The design consists of the feature of shape, configuration, pattern, and ornament of the shower shelf shown in solid lines in the drawings. The portions of the article shown in broken lines form no part of the design.

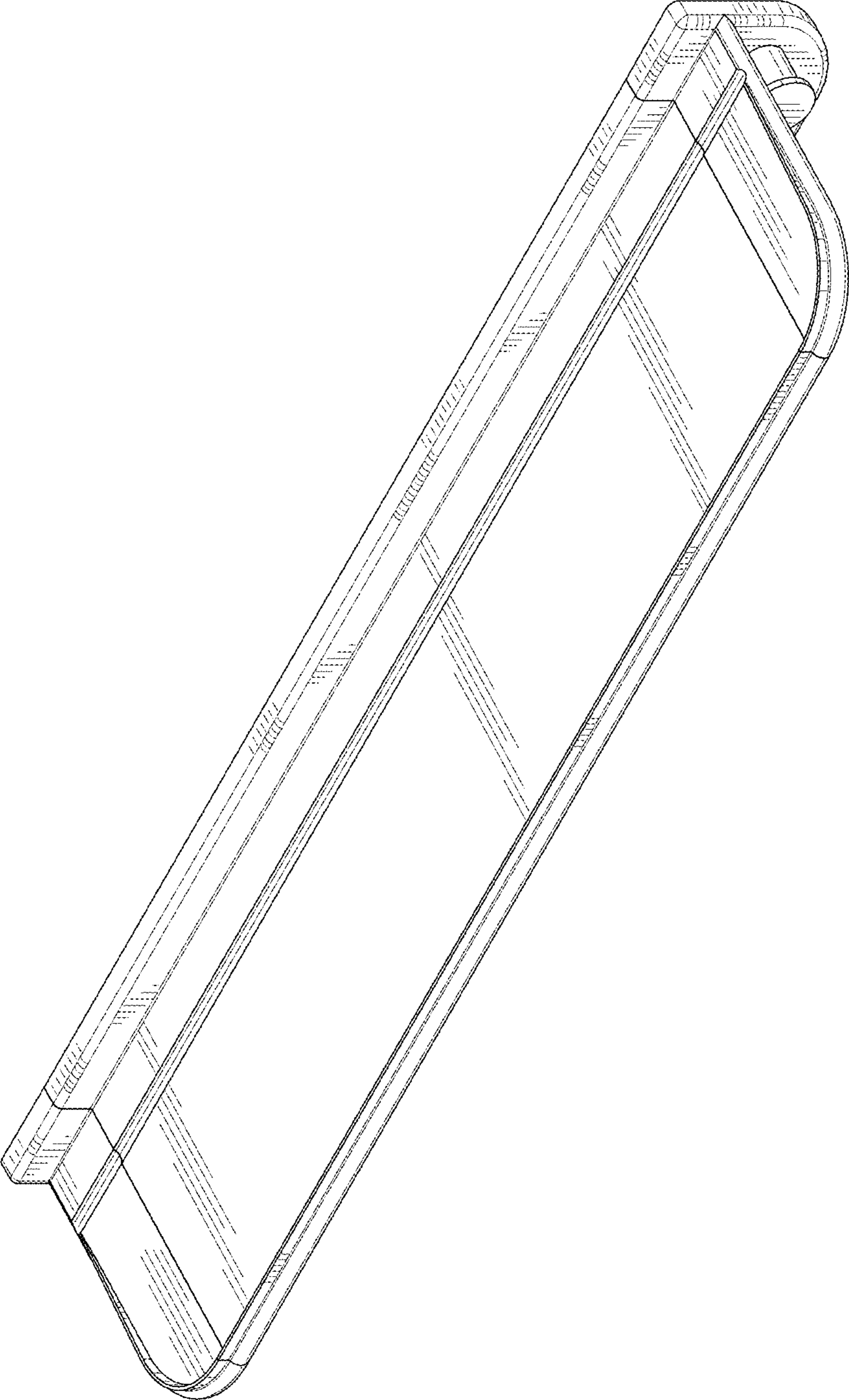
(56) **References Cited**

**U.S. PATENT DOCUMENTS**

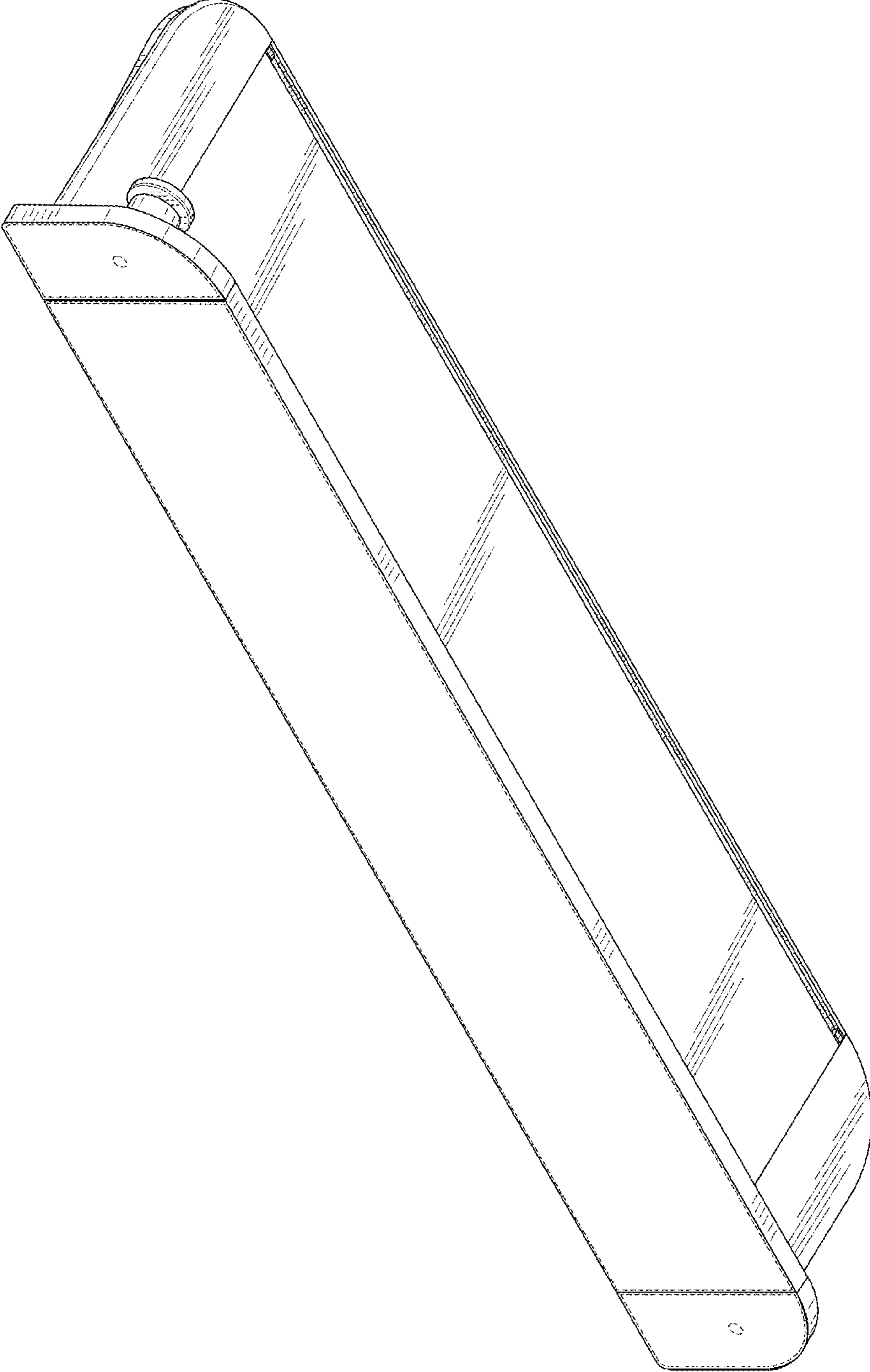
D419,021 S \* 1/2000 Owens ..... D6/513  
D489,927 S \* 5/2004 Hoernig ..... D6/574

**1 Claim, 7 Drawing Sheets**

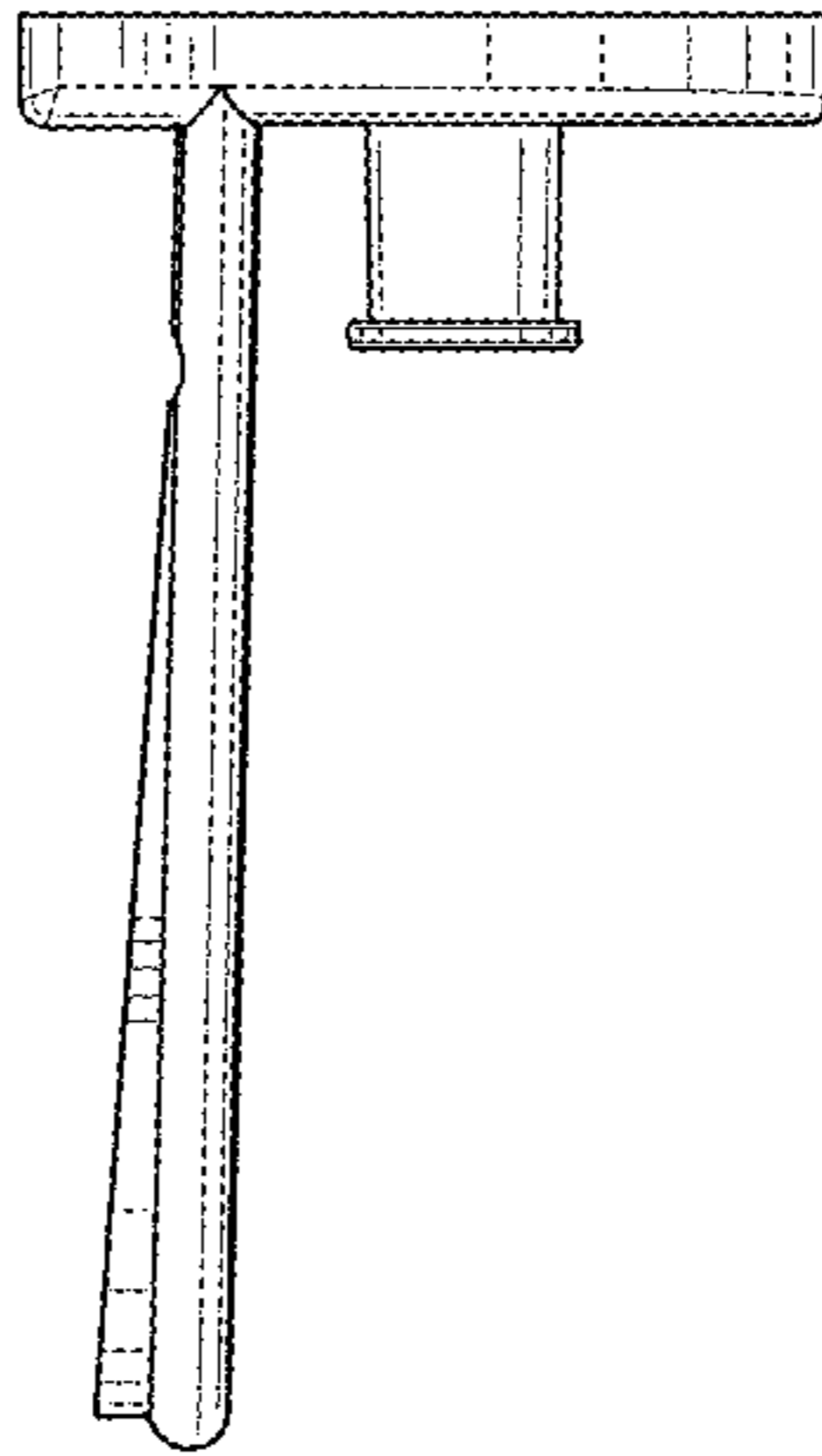




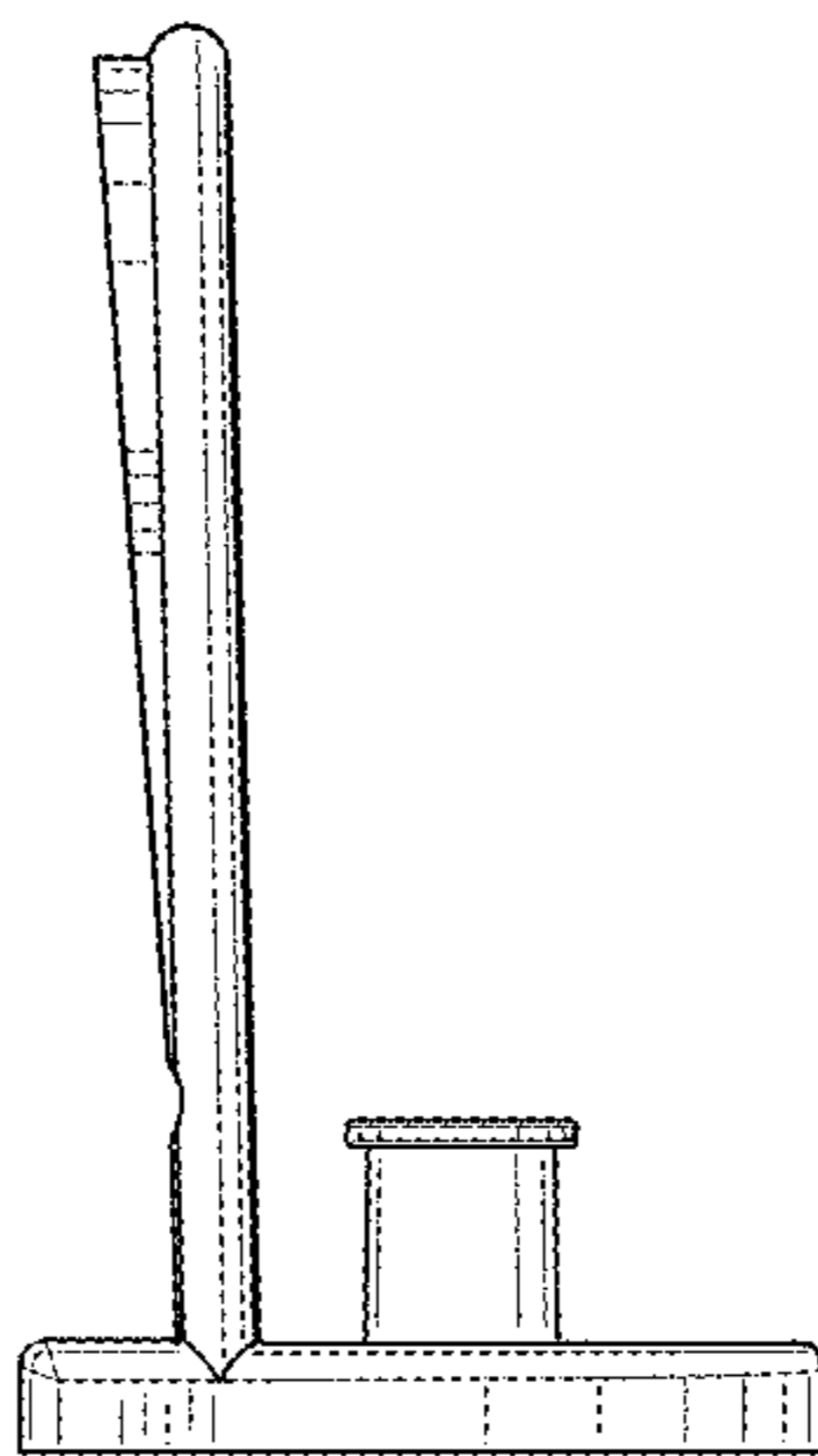
**FIG. 1**



**FIG. 2**

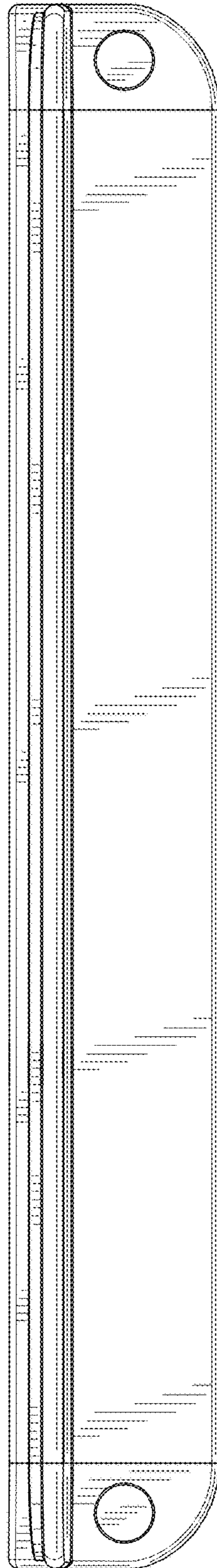


**FIG. 5**

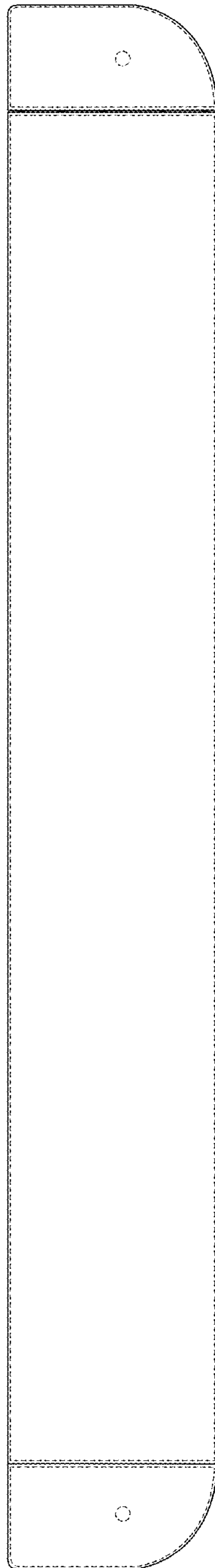


**FIG. 3**

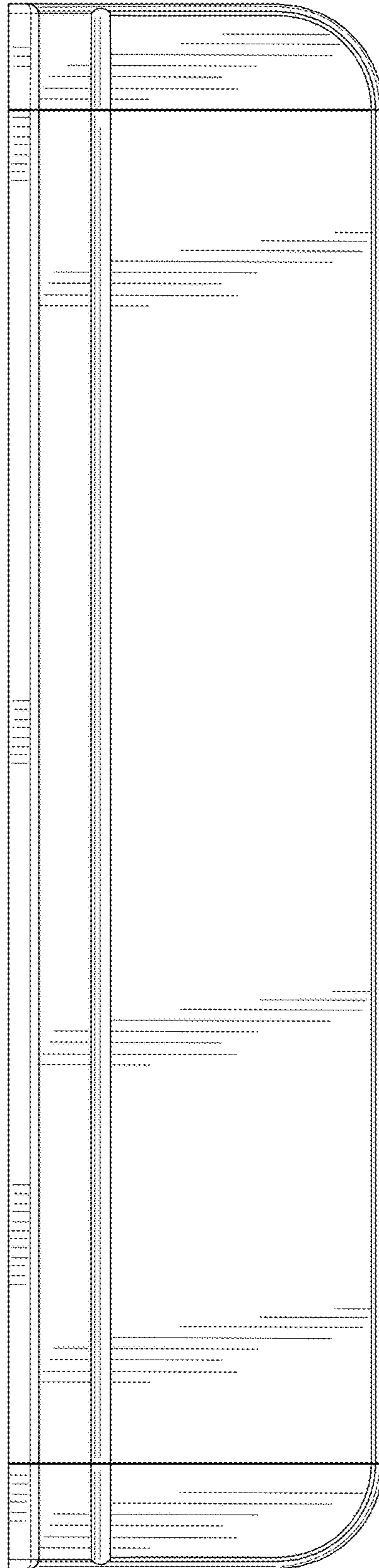




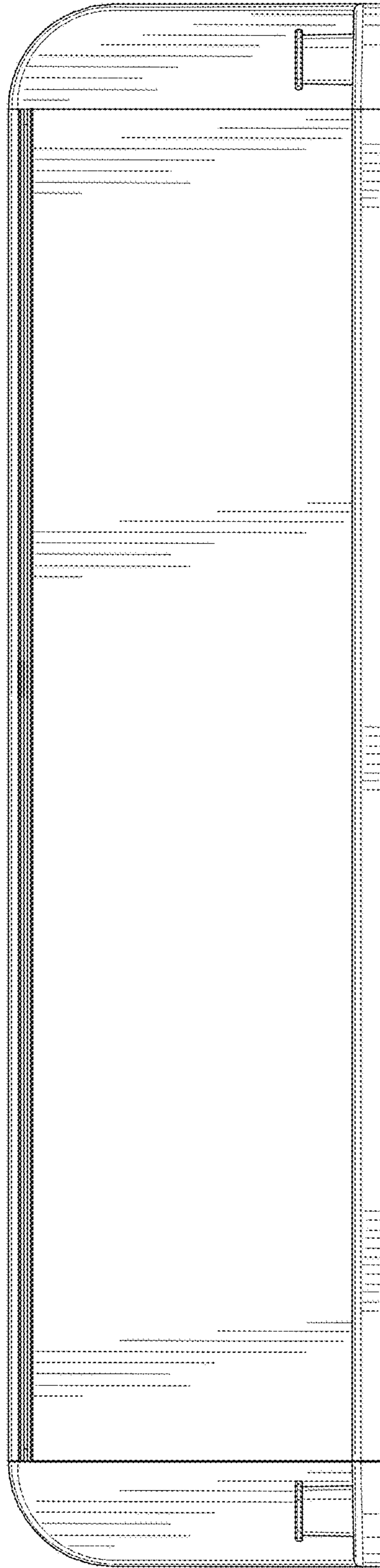
**FIG. 4**



**FIG. 6**



**FIG. 7**



**FIG. 8**