



US00D816371S

(12) **United States Design Patent** (10) **Patent No.:** **US D816,371 S**
Berkowitz et al. (45) **Date of Patent:** **** May 1, 2018**

- (54) **SHOWER SHELF**
- (71) Applicant: **BLP INTERNATIONAL INC.,**
Vaughan (CA)
- (72) Inventors: **Adam Berkowitz, Maple (CA);**
Tommy Hawes, Toronto (CA)
- (73) Assignee: **BLP INTERNATIONAL INC.,**
Vaughan, Ontario (CA)
- (**) Term: **15 Years**
- (21) Appl. No.: **29/587,973**
- (22) Filed: **Dec. 16, 2016**
- (51) **LOC (11) Cl.** **06-04**
- (52) **U.S. Cl.**
USPC **D6/567**
- (58) **Field of Classification Search**
USPC D6/567, 568, 574, 329, 396, 417, 552,
D6/553; 108/152; 211/13.1, 49.1, 60.1,
211/64, 70.5, 86.01, 87.01, 88.01, 89.01,
211/181.1; 248/121, 175, 200, 302
CPC A47K 3/281; A47K 3/001; A47K 5/04;
A47B 96/022; A47B 96/021; A47B
96/024; A47B 96/066; A47B 55/00
See application file for complete search history.

D443,163 S * 6/2001 Welch D6/574
D572,056 S * 7/2008 McConnell D6/574
D764,834 S * 8/2016 Citterio D6/574

* cited by examiner

Primary Examiner — Wan Laymon
Assistant Examiner — Mark Booker

(57) **CLAIM**

The ornamental design for a shower shelf, as shown and described.

DESCRIPTION

FIG. 1 is a perspective view of the shower shelf in the shelf position;
FIG. 2 is another perspective view of the shower shelf of FIG. 1;
FIG. 3 is a left side view of the shower shelf of FIG. 1;
FIG. 4 is a front view of the shower shelf of FIG. 1;
FIG. 5 is a right side view of the shower shelf of FIG. 1;
FIG. 6 is a rear view of the shower shelf of FIG. 1;
FIG. 7 is a top view of the shower shelf of FIG. 1;
FIG. 8 is a bottom view of the shower shelf of FIG. 1; and,
FIG. 9 is a perspective view of the shower shelf in the basket position.

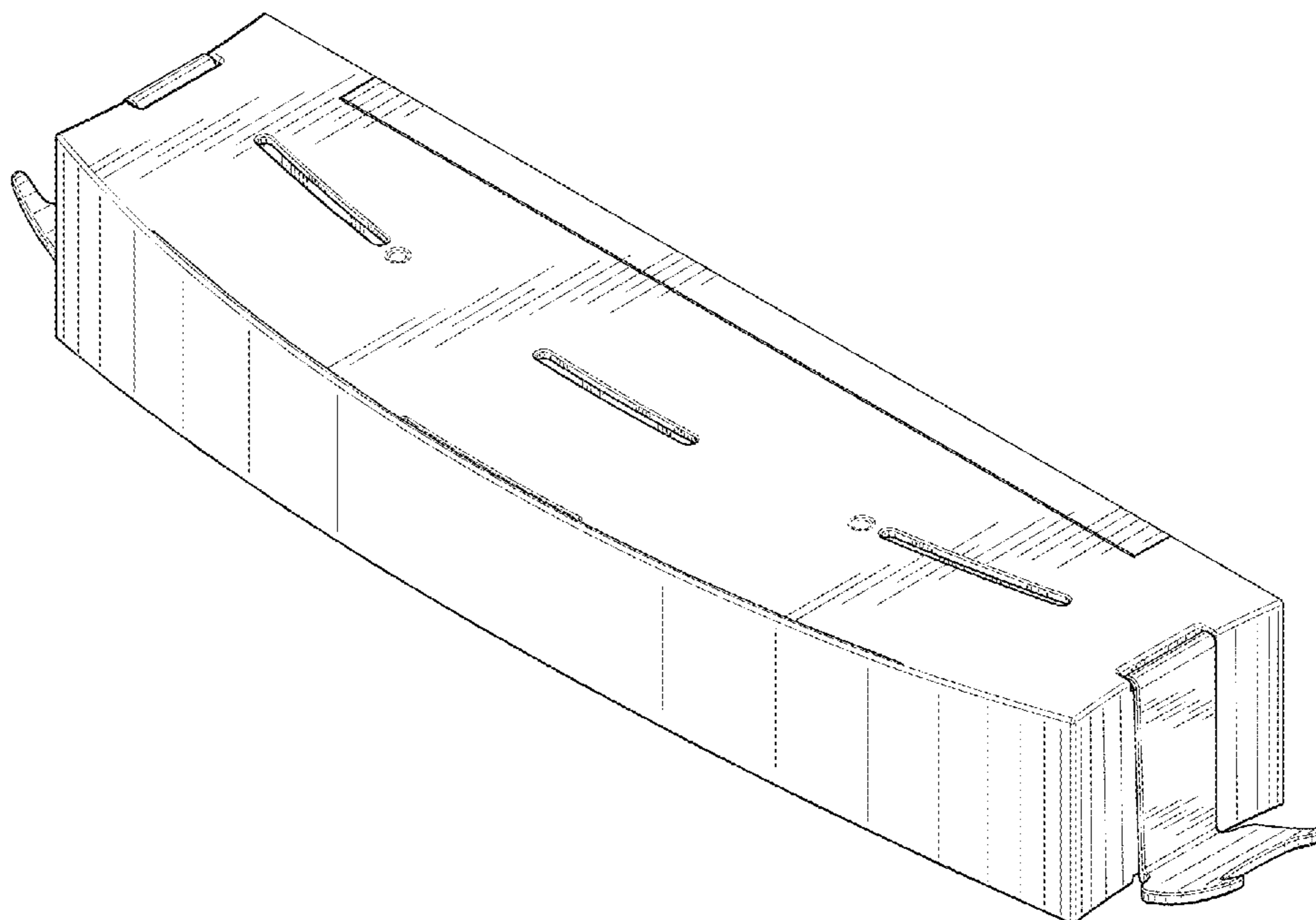
The design consists of the feature of shape, configuration, pattern, and ornament of the shower shelf shown in solid lines in the drawings. The portions of the article shown in broken lines form no part of the design.

1 Claim, 6 Drawing Sheets

(56) **References Cited**

U.S. PATENT DOCUMENTS

D266,808 S * 11/1982 Thompson D6/525
D356,461 S * 3/1995 May D6/567



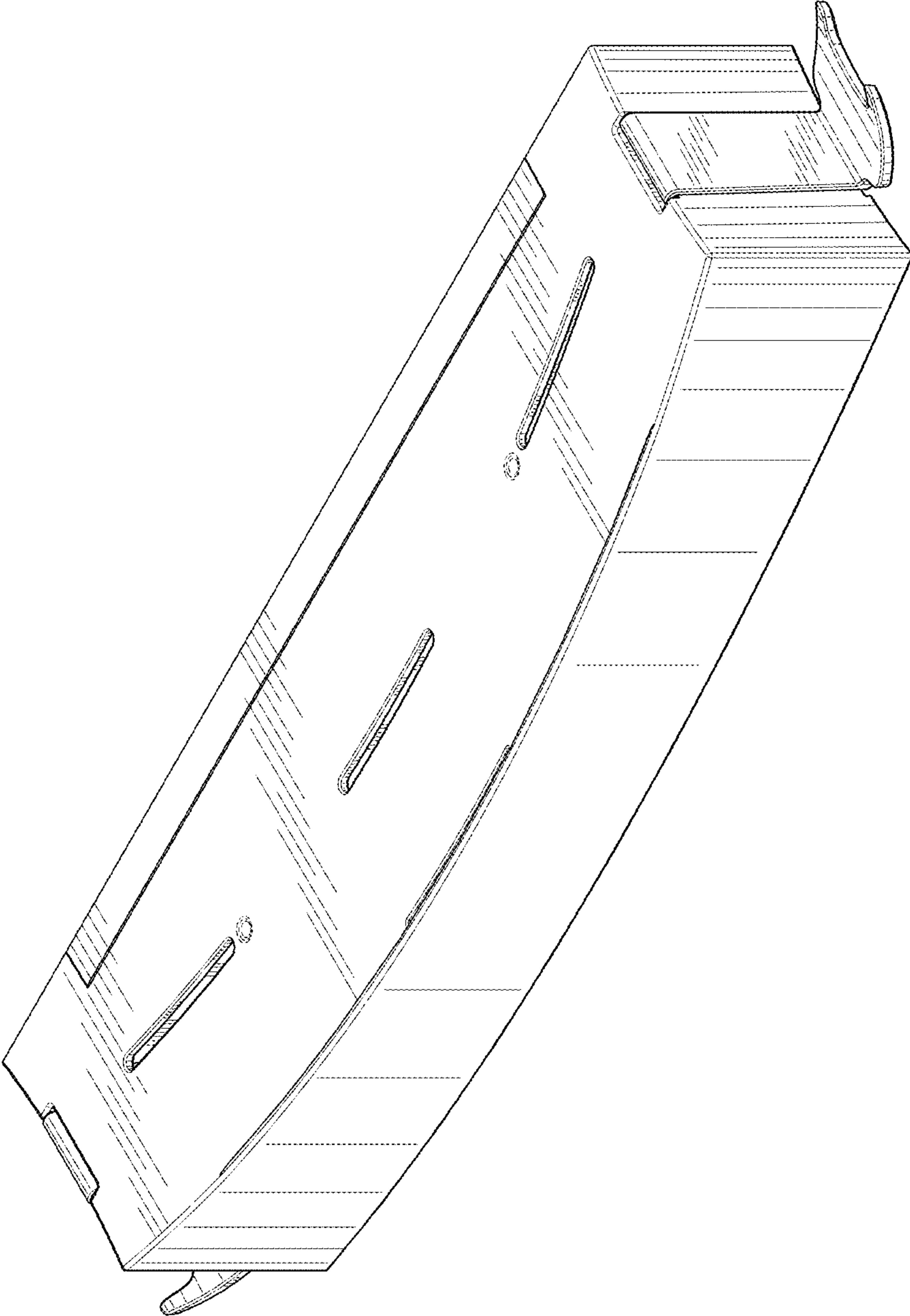


FIG. 1

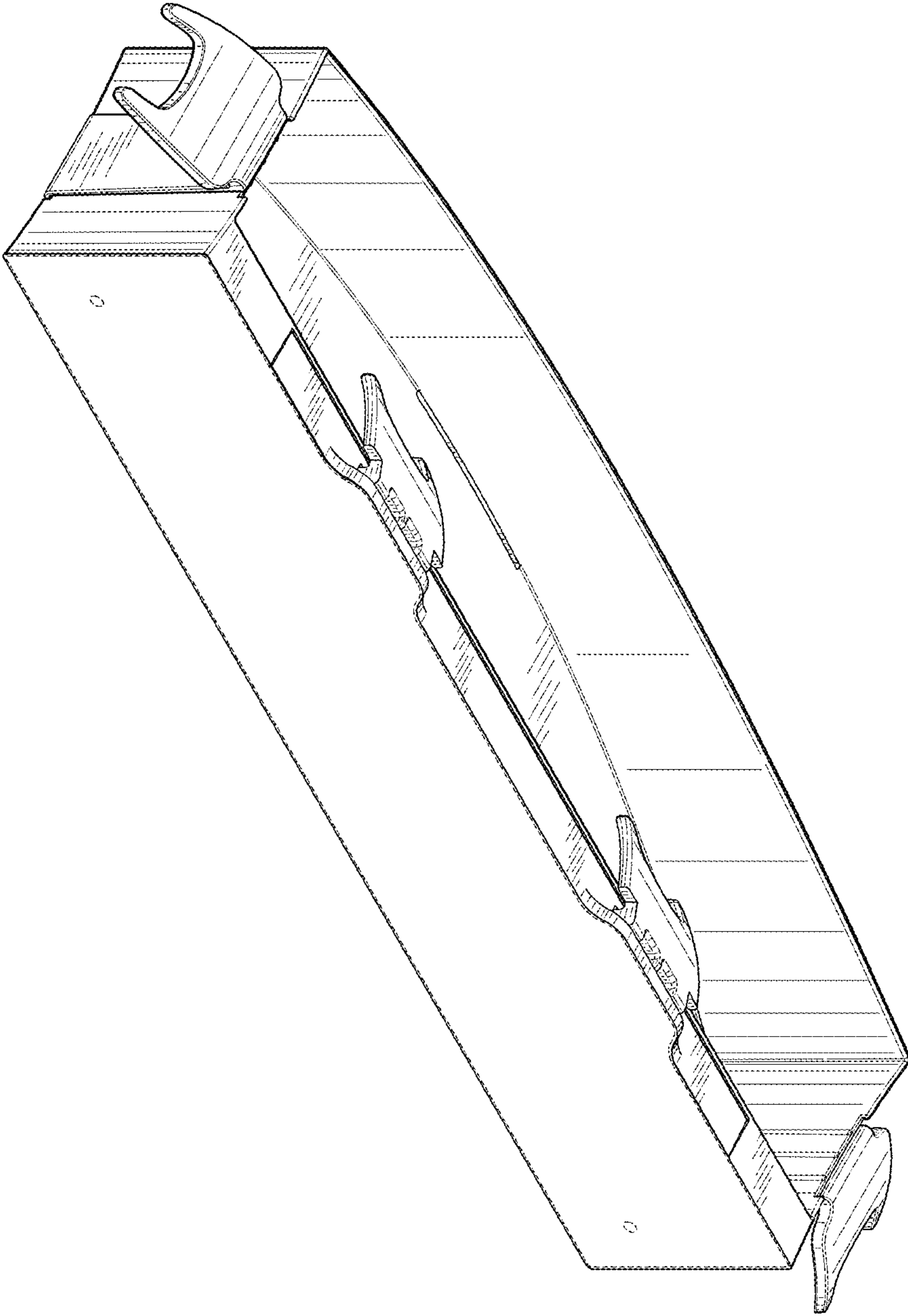


FIG. 2

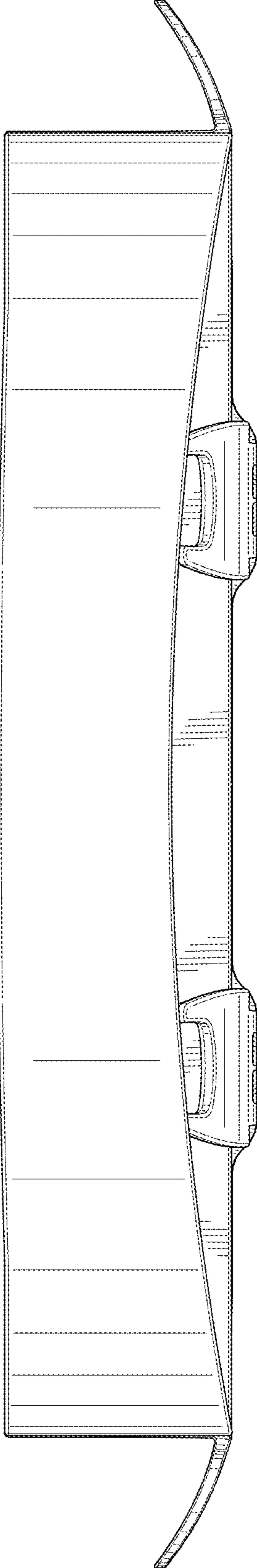


FIG. 4

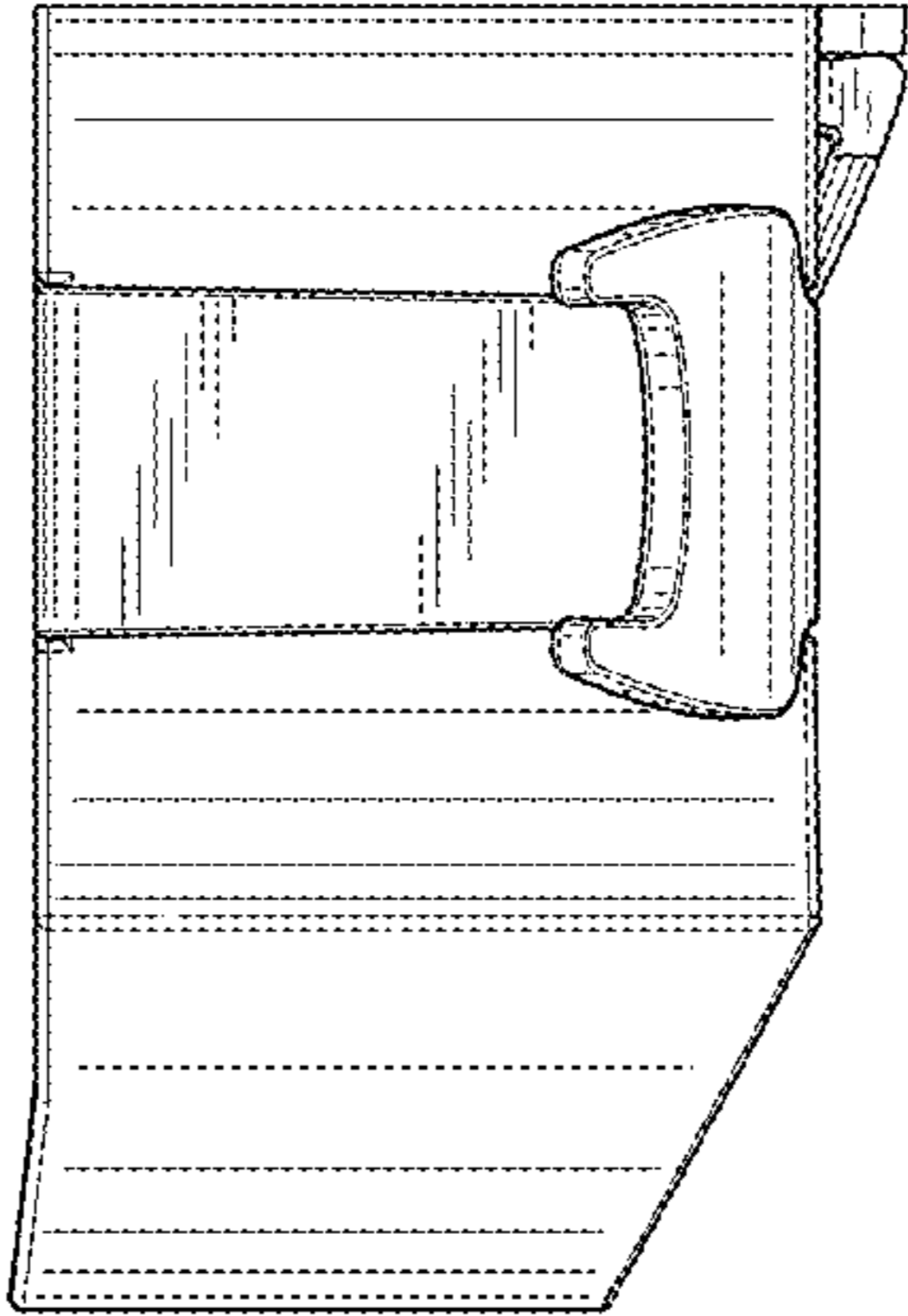


FIG. 5

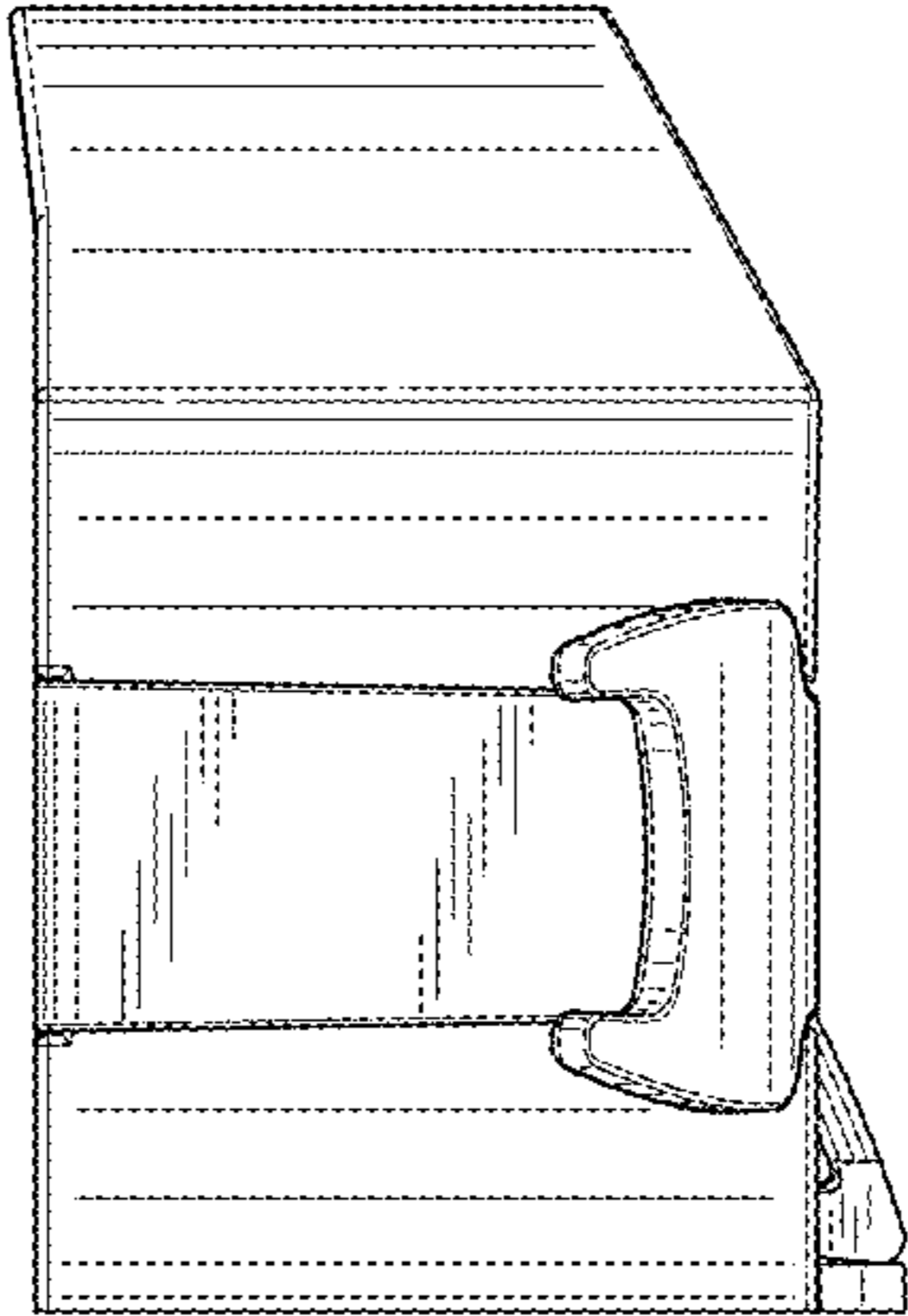


FIG. 3

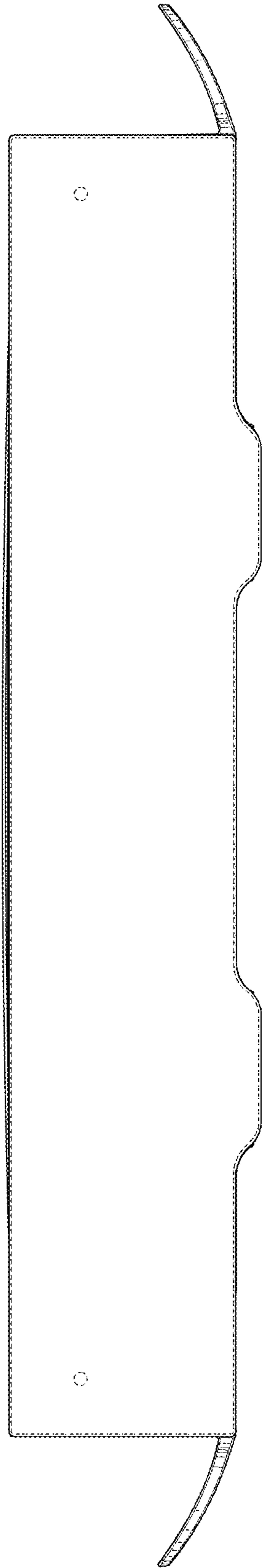


FIG. 6

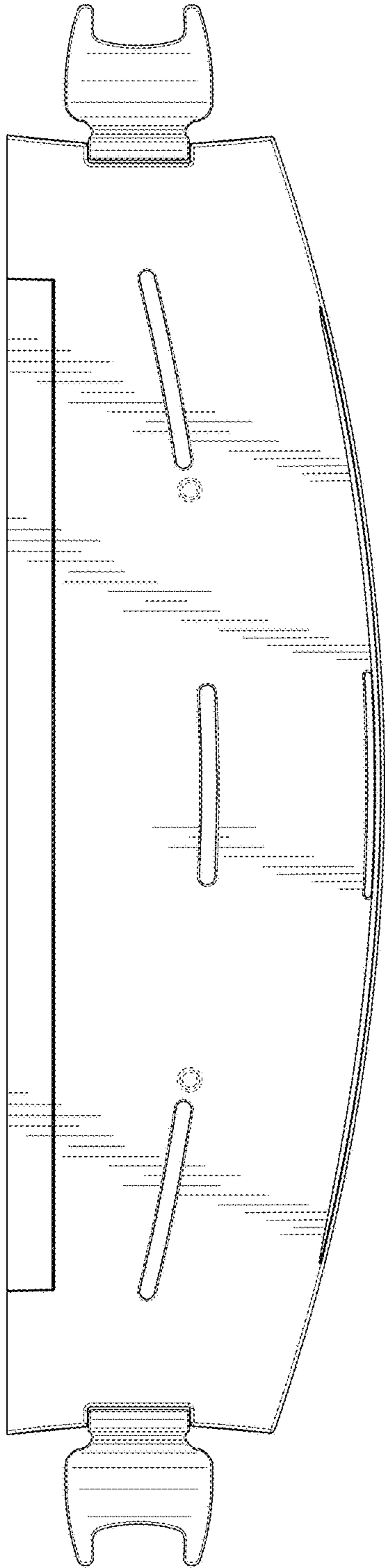


FIG. 7

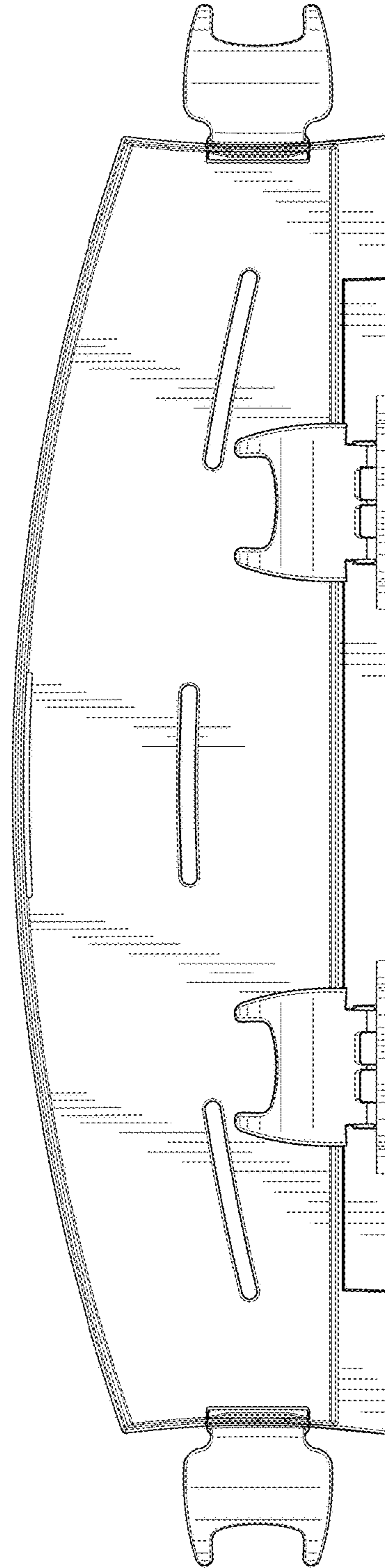


FIG. 8

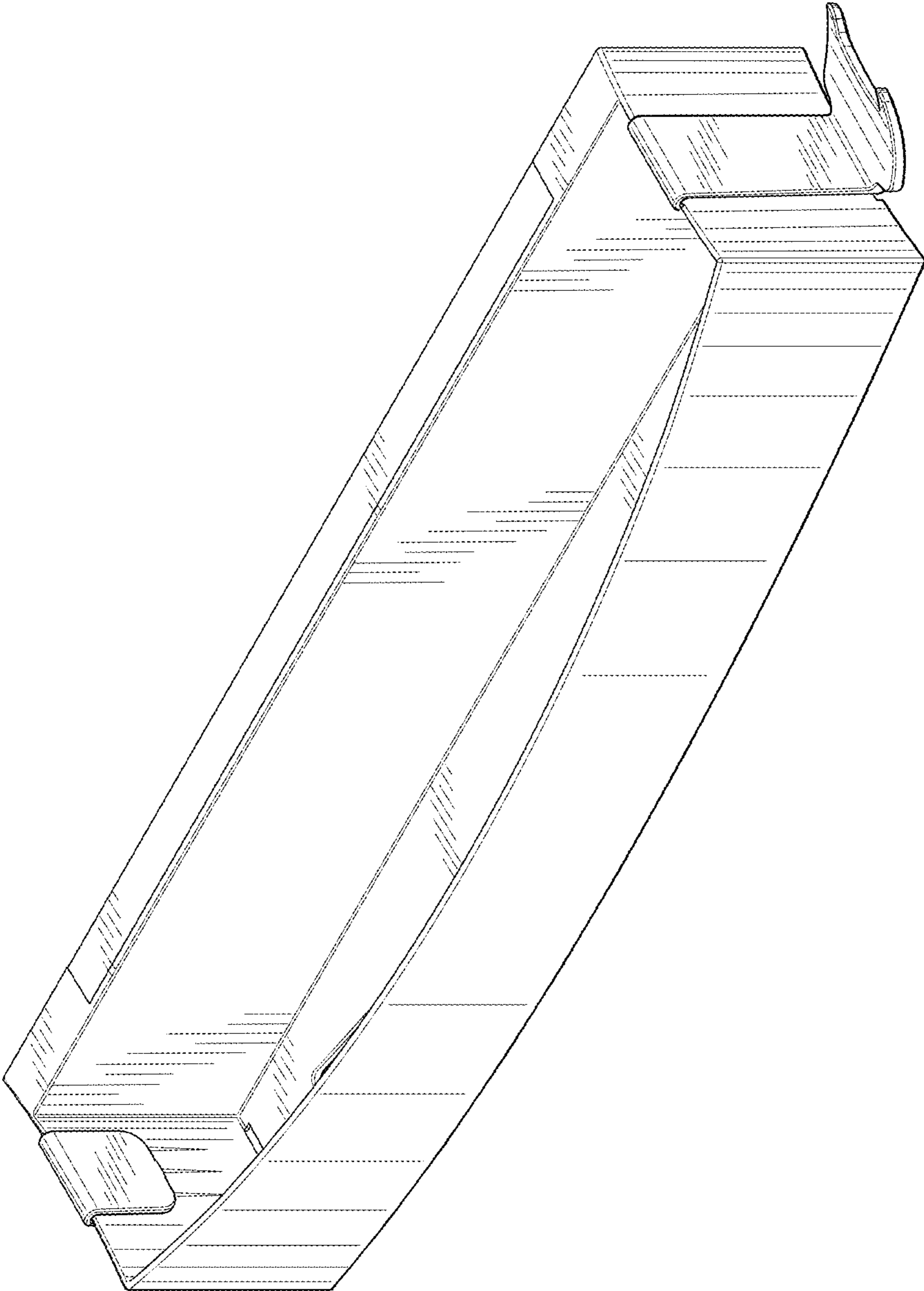


FIG. 9